

SIEGWARE
Architectural Innovations



uPVC Swing Doors Thresholds Catalogue

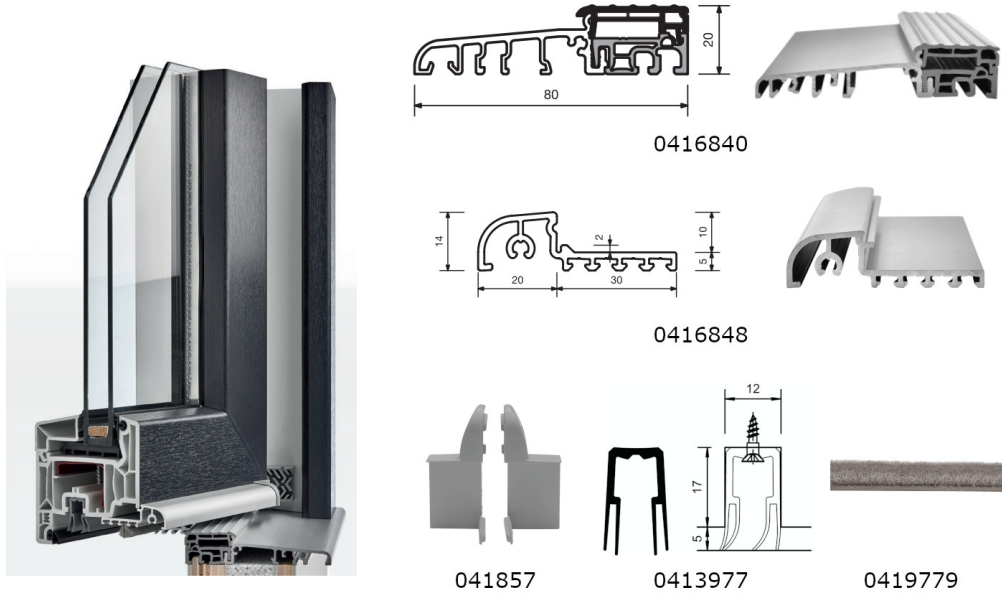
Issue: 24/8/2023

Thresholds 2

- Inward Opening Door Threshold 2
 - TBS Threshold 2
- Barrier Free Thresholds 3**
 - MFZ Renovation Profile 3
 - MHT Renovation Profile 4
 - MFAT PH Passive House Threshold 5
 - Internal Door Thresholds 6
 - Glass Door Profile 9
 - Accessories 10

blaugelb TB80 Inward Opening Threshold System

System can be used for uPVC, timber, timber-metal; threshold height 20mm.



Product Code	Description	Material	Size (mm)	Colour	Packaging Unit
0416840	TB80 inward opening threshold	aluminium	80	signal grey	6
0416848	AD2 weatherboard - Aluplast & Kommerling	aluminium	-	silver	6
0416857	Weatherboard end caps	uPVC	-	grey	1 pair
0419779	Weatherboard brush seal 10mm	plastic	-	grey	100
0413977	Sash groove door sill gasket	rubber	13	grey	11



Catalogue not up to date?
Scan the QR or [click here](#)
to view the latest version

[Click to jump back to top](#)

Alumat MFZ Renovation Profile

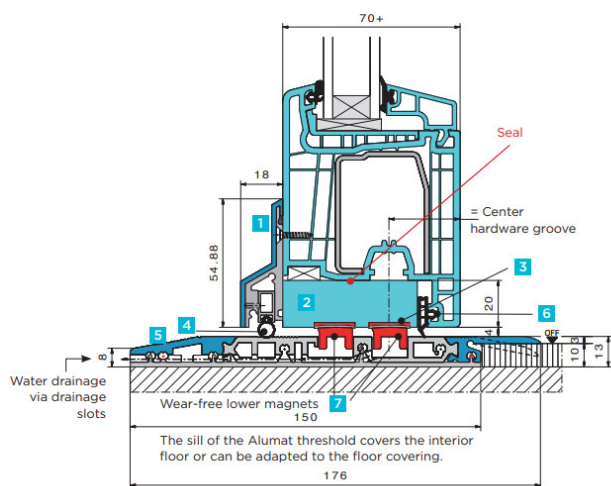
MFZ renovation profile has an extremely low installation height, can be easily set directly on every rough floor. The magnetic double seal adapts itself to a wide variety of installation conditions.

Product advantages:

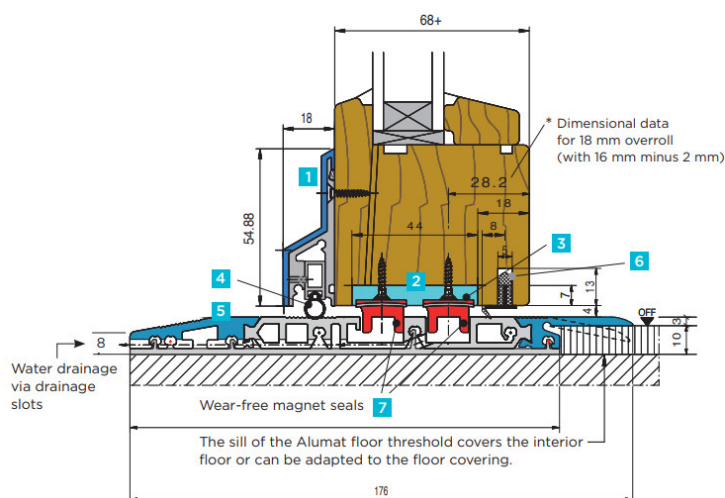
- Ready to install delivery according to client specification
- Thermally broken profile
- Compatible with turn doors, french doors, tilt and turn doors.
- No wear, no mechanics, 20 year warranty on magnetic tension force
- Evaluated gap noise insulation index up to 46dB

Kit includes:

- Barrier free threshold profile
- Weatherboard profile with cover and drop seal (Colour Options: EV1 Silver, White, Antracite or Blank)
- Drop seal magnets with carriers (to suit profile type)
- Rear TPE seal
- Additional accessory parts where required



MFZ20/1



MFZ10/1

Kit Code	System	Packing Unit
MFZ10-KIT	Timber	Per Lineal Meter / Configuration Dependand - Contact Siegware for more information
MFZ20-KIT	uPVC	Per Lineal Meter / Configuration Dependand - Contact Siegware for more information



Catalogue not up to date?
Scan the QR or [click here](#)
to view the latest version

[Click to jump back to top](#)

Alumat MHT Renovation Profile

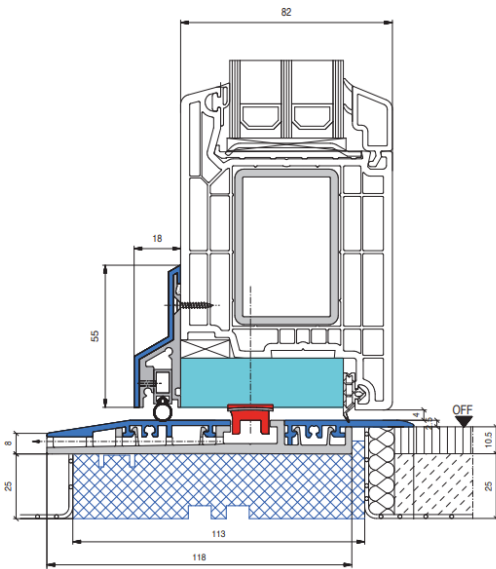
MHT renovation profile has an extremely low installation height, can be easily set directly on every rough floor. The magnetic single seal adapts itself to a wide variety of installation conditions but at a more affordable price point.

Product advantages:

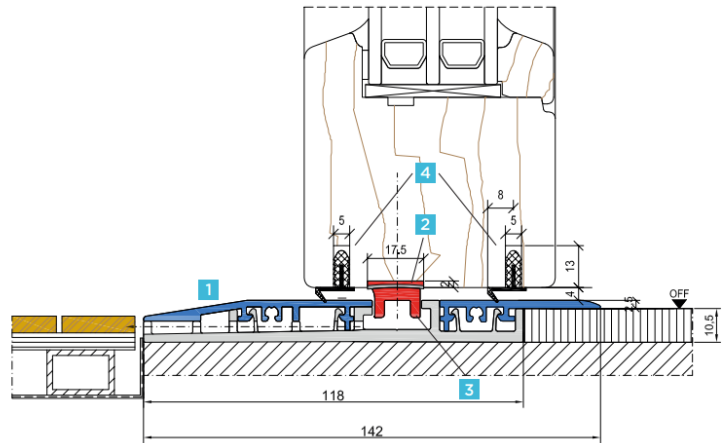
- Ready to install delivery according to client specification
- Thermally broken profile
- Compatible with turn doors, french doors, tilt and turn doors.
- No wear, no mechanics, 20 year warranty on magnetic tension force
- Evaluated gap noise insulation index up to 46dB

Kit includes:

- Barrier free threshold profile
- Weatherboard profile with cover and drop seal (Colour Options: EV1 Silver, White, Antracite or Blank)
- Drop seal magnet with carrier (to suit profile type)
- Rear TPE seal
- Additional accessory parts where required



MHT20/1



MHT10/1

Kit Code	System	Packing Unit
MHT10-KIT	Timber	Per Lineal Meter / Configuration Dependand - Contact Siegware for more information
MHT20-KIT	uPVC	Per Lineal Meter / Configuration Dependand - Contact Siegware for more information



Catalogue not up to date?
Scan the QR or [click here](#)
to view the latest version

[Click to jump back to top](#)

Alumat MFAT Passive House Profile

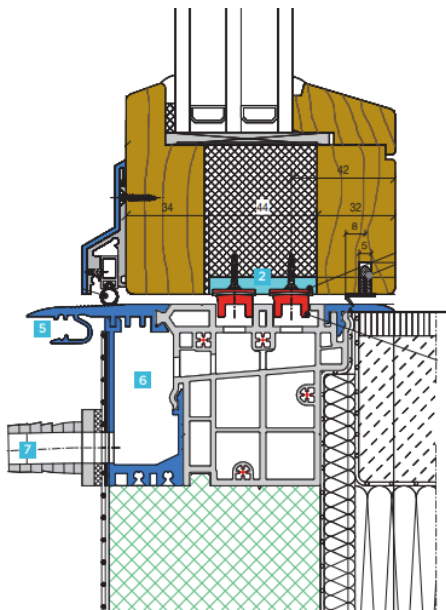
MFAT PH profile is an advanced barrier free threshold system suitable for use in Passivhaus applications. Featuring double magnetic seals, thermally broken design, insulation profiles and drainage ports. Additional clip on drainage channels also available upon request.

Product advantages:

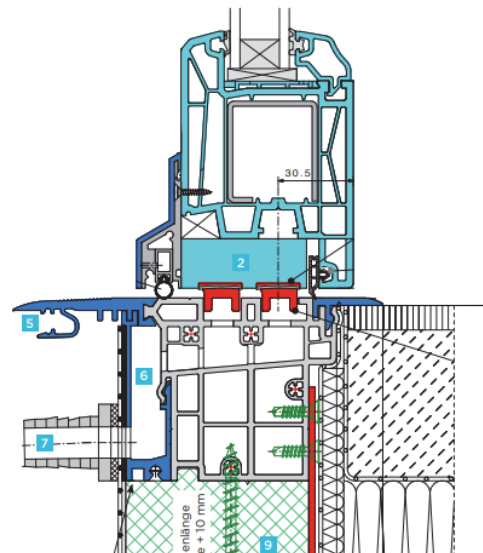
- Passivhaus certified component
- Ready to install delivery according to client specification
- Thermally broken profile
- Compatible with turn doors, french doors, tilt and turn doors.
- No wear, no mechanics, 20 year warranty on magnetic tension force
- Evaluated gap noise insulation index up to 46dB

Kit includes:

- Barrier free threshold profile
- Weatherboard profile with cover and drop seal (Colour Options: EV1 Silver, White, Antracite or Blank)
- Drop seal magnets with carriers (to suit profile type)
- Rear TPE seal
- Insulation profile
- Drainage ports (90° or 45°)
- Additional accessories available. Please contact Siegware for more information.



MFAT 10/2a PH



MFAT 20/2a PH

Kit Code	System	Packing Unit
MFAT10PH-KIT	Timber	Per Lineal Meter / Configuration Dependant - Contact Siegware for more information
MFAT20PH-KIT	uPVC	Per Lineal Meter / Configuration Dependant - Contact Siegware for more information

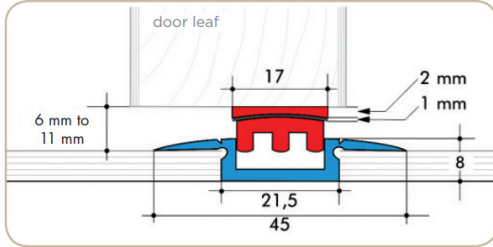


Catalogue not up to date?
Scan the QR or [click here](#)
to view the latest version

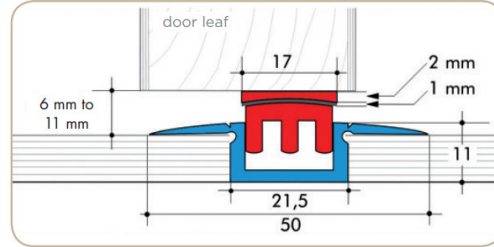
[Click to jump back to top](#)

Alumat Universal Floor Profile

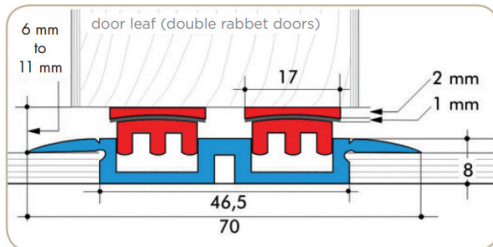
Aluminium floor profile with continuously rising magnetic threshold and magnetic counter profile for fitting at the lower door leaf edge. Grooving not required.



Model MTK 3
Starting from approx. 3 mm flooring / Magnetic force between upper and lower magnet profile (max. 5 mm)



Model MTK 6
starting from approx. 3 mm flooring / Magnetic force between upper and lower magnet profile (max. 5 mm)



Model MTK 32 for double rabbet doors
starting from approx. 3 mm flooring / Magnetic force between upper and lower magnet profile (max. 5 mm)

Product Code	Description	Model	Length (mm)	Colour/Finish	Packaging Unit
ALUMATMTK3860	Universal floor profile	MTK 3	860	silver anodized	1
ALUMATMTK3985	Universal floor profile	MTK 3	985	silver anodized	1
ALUMATMTK6860	Universal floor profile	MTK 6	860	silver anodized	1
ALUMATMTK6985	Universal floor profile	MTK 6	985	silver anodized	1
ALUMATMTK32860	Universal floor profile	MTK 32	860	silver anodized	1
ALUMATMTK32985	Universal floor profile	MTK 32	985	silver anodized	1

*Note: Larger sizes available on request. Magnets sold separately

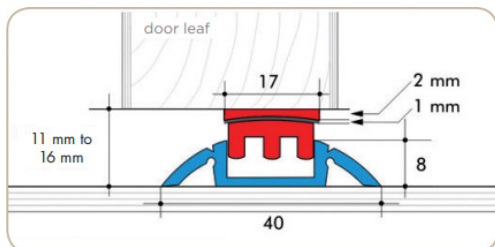


Catalogue not up to date?
Scan the QR or [click here](#)
to view the latest version

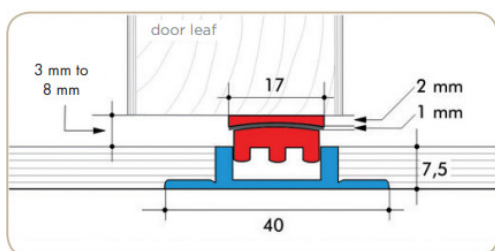
[Click to jump back to top](#)

Alumat Standard Floor Profile

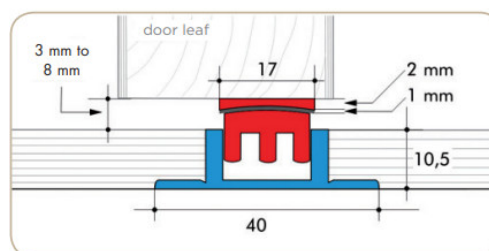
Aluminium floor profile with continuously rising magnetic threshold and magnetic counter profile for fitting at the lower door leaf edge. Grooving not required.



Model MA 1
on the flooring / Magnetic force between upper and lower magnet profile (max. 5 mm)



Model MF 1
starting from approx. 6 mm flooring / Magnetic force between upper and lower magnet profile (max. 5 mm)



Model MF 2
starting from approx. 9 mm flooring / Magnetic force between upper and lower magnet profile (max. 5 mm)

Product Code	Description	Model	Length (mm)	Colour/Finish	Packaging Unit
ALUMATMA1860	Standard floor profile	MA 1	860	silver anodized	1
ALUMATMF1985	Standard floor profile	MF 1	860	silver anodized	1
ALUMATMF2985	Standard floor profile	MF 2	985	silver anodized	1

*Note: Larger sizes available on request. Magnets sold separately

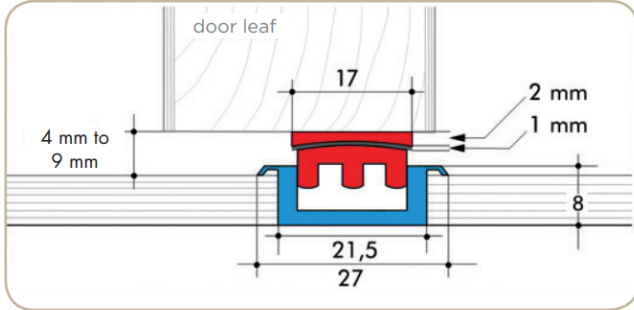


Catalogue not up to date?
Scan the QR or [click here](#)
to view the latest version

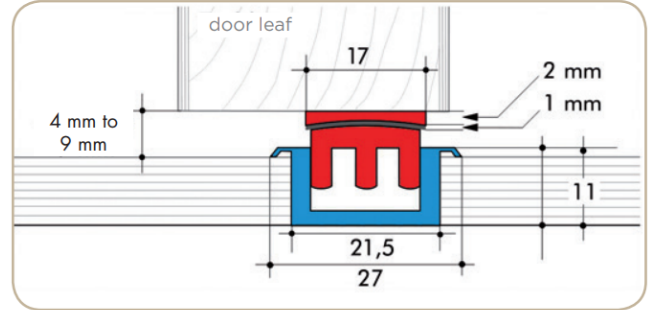
[Click to jump back to top](#)

Alumat Special Floor Profile

Aluminium floor profile with continuously rising magnetic threshold and magnetic counter profile for fitting at the lower door leaf edge. Grooving not required.



Model MFS 1
starting from approx. 6 mm flooring / Magnetic force between upper and lower magnet profile (max. 5 mm)



Model MFS 10
starting from approx. 9 mm flooring / Magnetic force between upper and lower magnet profile (max. 5 mm)

Product Code	Description	Model	Length (mm)	Colour/Finish	Packaging Unit
ALUMATMFS1860	Standard floor profile	MFS 1	860	silver anodized	1
ALUMATMFS10860	Standard floor profile	MFS 10	860	silver anodized	1

*Note: Larger sizes available on request. Magnets sold separately.



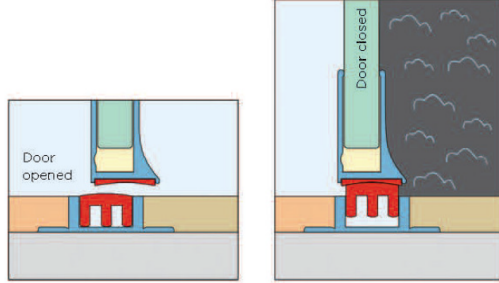
Catalogue not up to date?
Scan the QR or [click here](#)
to view the latest version

[Click to jump back to top](#)

Alumat Glass Door Add-on Profile

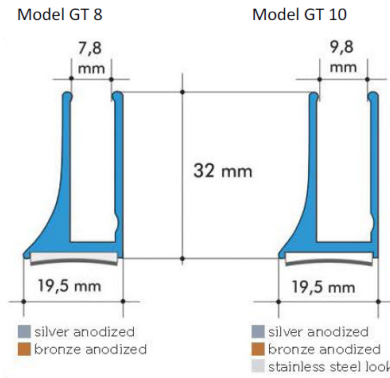
Magnetic door seal for glass doors.

100% sealing of the common door crack - anywhere where escape routes must remain smoke-free and rooms need much light.



Magnet stays down, the pass is absolutely barrier-free

Magnet goes up and provides perfect sealing



For glass doors / Glass distance to the ALUMAT floor profile starting from approx. 7mm

Product features

- 20 year warranty on the magnetic force
- material separation rail not required
- optimum sealing effect, smokeproof according to DIN 18095, sound insulation DIN 52210 residual value 45 db

Product features

- easy installation, no vulnerable mechanics
- automatic adaptation to the door leaf, hence not affected by uneven flooring
- bridging of door cracks up to 16mm

COLD STOP stops draft air	NOISE STOP reduces sound	SMOKE STOP keeps escape routes free
-------------------------------------	------------------------------------	---

Product Code	Description	Model	Length (mm)	Colour/Finish	Packaging Unit
ALUMATGT959	Special add-on profile	GT 8	959	silver anodized	1
ALUMATGT10959	Special add-on profile	GT 10	959	silver anodized	1

*Note: Larger sizes available on request. Magnets sold separately.

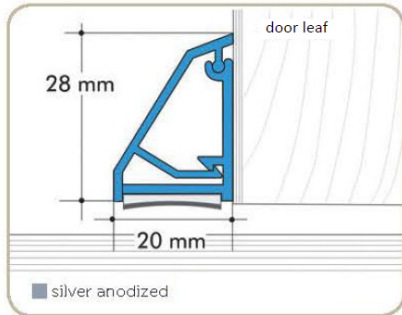


Catalogue not up to date?
Scan the QR or [click here](#)
to view the latest version

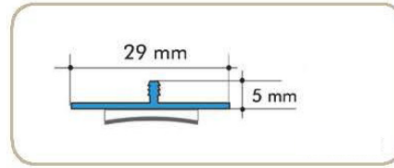
[Click to jump back to top](#)

Alumat Spare Parts and Accessories

Spare parts for magnets



MHT - Magnetic carrier profile for aluminium doors. Upper magnet sold separately.



OMT - Aluminium magnetic carrier profile (only required for stemmed frame doors)

17mm wide



Upper magnet - available in thicknesses of 2mm and 3mm

15mm wide



Lower magnet - available 6mm high

15mm wide



Lower magnet - available 9mm high, with 2 feet for exterior doors, and 3 feet for interior doors

Product Code	Description	Colour/Finish	Packing Unit
5899	Upper Magnet 3 x 17mm	black	Linear Metre
5983	Lower Magnet 9 x 15mm	black	Linear Metre
5983	TPE Seal for Timber Profiles	Graphite Grey	Linear Metre
6085-S2	TPE Seal for uPVC - Aluplast / Veka	Grey	Linear Metre
6085-S4	TPE Seal for uPVC - Kommerling	Grey	Linear Metre
6085-S6	TPE Seal for uPVC - Deceuninck / Inoutic	Grey	Linear Metre
6055-GRY	Accessory Bag for Weatherboard (Cover caps and fasteners)	Grey	1
6055-WHT	Accessory Bag for Weatherboard (Cover caps and fasteners)	White	1
6055-ANT	Accessory Bag for Weatherboard (Cover caps and fasteners)	Anthracite	1
6291-45	MFAT Drainage Port 45°	Grey	1
6291-45	MFAT Drainage Port 90°	Grey	1



Catalogue not up to date?
Scan the QR or [click here](#)
to view the latest version

[Click to jump back to top](#)

uPVC Swing Doors Thresholds
Catalogue

*53 Haddon Drive
PO Box 27
Ballan VIC 3342
Australia*

*+61 03 5368 1181
info@siegware.com.au
www.siegware.com.au
www.siegware.co.nz*