

SIEGWARE
Architectural Innovations



Handles Catalogue

Barcelona Range (1758)	3
Tilt & Turn	3
Tilt & Turn Lockable	4
Tilt Before Turn	5
Balcony	6
Entrance	9
DGT30	9
NGT30	12
DGT50	13
Lift & Slide	14
Eureka Range (1010)	18
Tilt & Turn	18
Tilt Before Turn	22
Outward Opening	23
Entrance	25
Lift & Slide	26
Innsbruck Range (1030)	29
Tilt and Turn	29
Tilt and Turn Lockable	30
Tile Before Turn	31
Balcony	32
Lift & Slide	37
Hanover Range (1033)	39
Tilt & Turn	39
Tilt Before Turn	41
Balcony	42
Entrance	44
Warsaw Range (1040)	45
Tilt & Turn	45
Tilt Before Turn	46
Entrance	47
Victory Range	48
Tilt & Turn	48
Balcony	50
Tilt & Slide	53
Entrance	54
No PZ	55
Combo - Colours	56
Combo - P Handle	57
Dublin Range	58
Tilt & Turn	58
Balcony	60
Tilt & Slide	61
Lift and Slide	64
Entrance	69
Rosette	73
Brussels Range	75
Entrance	75
Rosette	77

Si-Line	79
Sliding	79
Tilt & Turn	80
Tilt Before Turn	82
Balcony	83
Entrance	85
Lift & Slide	86
Tilt & Slide	94
Bifold	97
Vita	99
Outward Opening	99
Inline	99
Cranked	101
Quantum	103
Tilt & Turn	103
Outward Opening	104
Siegware	105
Sliding	105
FSB	106
Entrance	106
Pullbars	107
Blaugelb	107
Round Pullbar	107
Flat Pullbar	111
Fixing Kits	113
Medos	115
Round Pullbar	115
Flat Pullbar	117
Stainless Steel	119
Fixing Kits	121
Miscellaneous	124
Digital Door Handle/Lock	124
Rosette	125
Round	125
Square	126
Escutcheon	127
Spindle Kits	131
Patio Pull	132
Maintenance Handle	133
Maintenance Handle Rosette	134
Fasteners	136
Adaptors	137
Spindle Reduction Sleeves	138
Panic Spindles	139
Jigs	140

FGS 1758 90° Tilt & Turn Handle



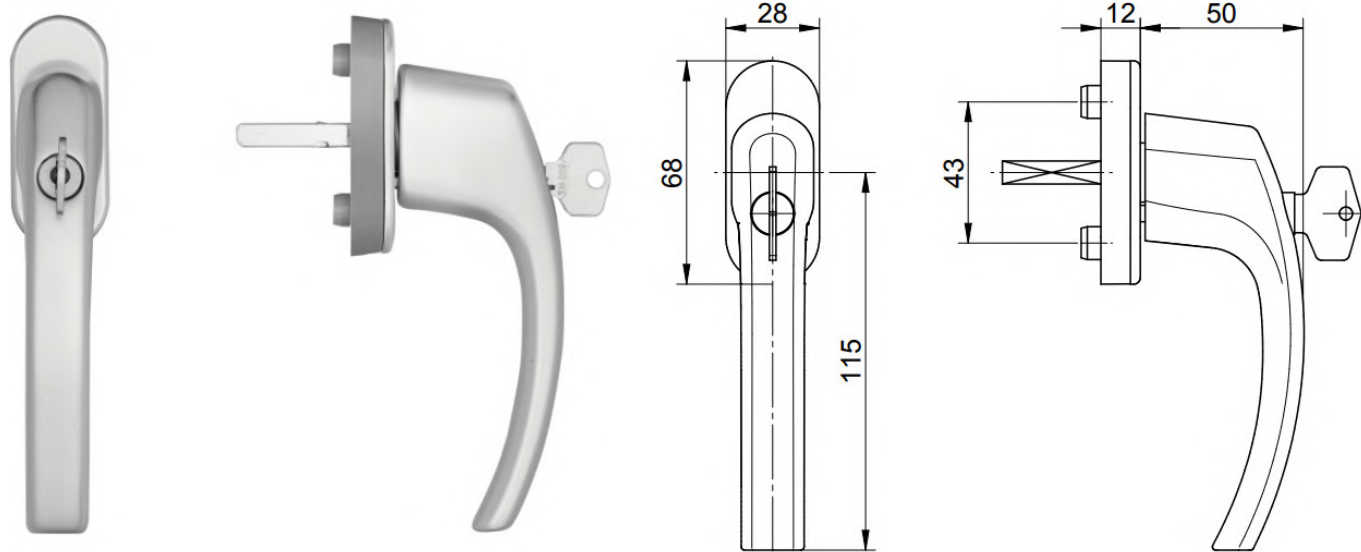
Product code	Description	Spindle	Finish	Colour	Packaging unit
0431560	Tilt and Turn handle	7 x 37mm	coated	9016 White	100
0431563	Tilt and Turn handle	7 x 37mm	coated	8077 Black Brown	100
0431566	Tilt and Turn handle	7 x 37mm	anodised	F1 Silver	100
0431569	Tilt and Turn handle	7 x 37mm	anodised	F9 Steel	100
0431572	Tilt and Turn handle	7 x 37mm	anodised	F4 Bronze	100
1006-10/37 9005	Tilt and Turn handle	7 x 37mm	coated	9005 Black	100



Catalogue not up to date?
Scan the QR or [click here](#)
to view the latest version

[Click to jump back to top](#)

FGS 1758 90° Lockable Tilt & Turn Handle



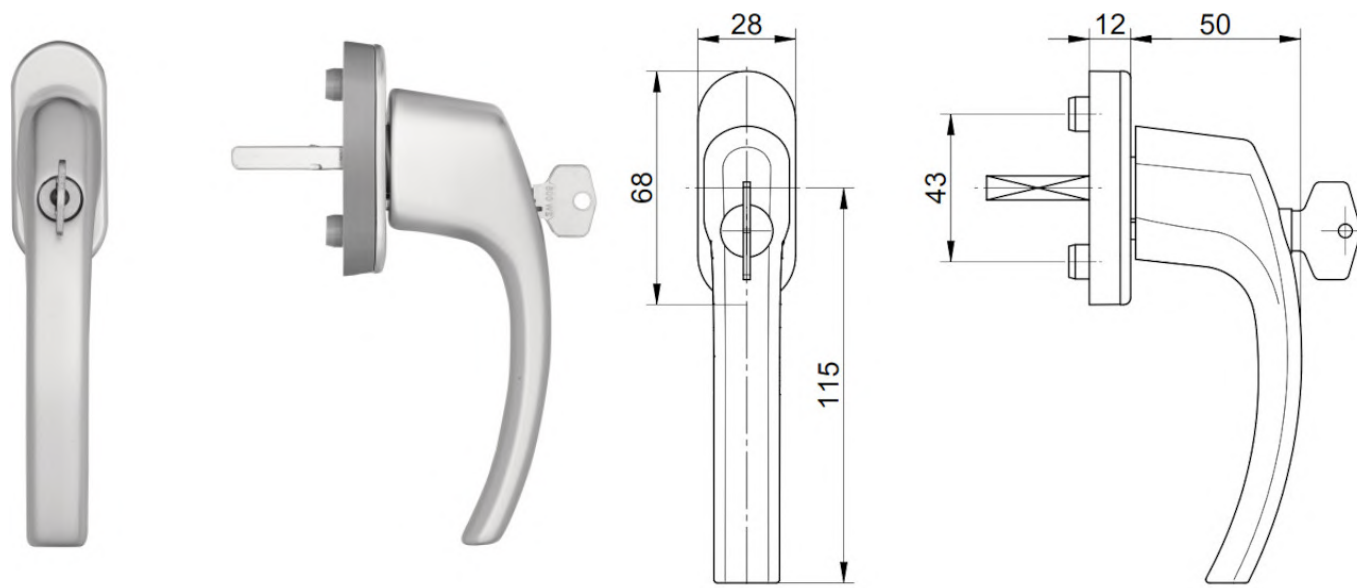
Product code	Description	Spindle	Finish	Colour	Packaging unit
0431575	Tilt & turn locking handle	7 x 37mm	coated	9016 White	20
0431582	Tilt & turn locking handle	7 x 37mm	anodised	F1 Silver	20
0431579	Tilt & turn locking handle	7 x 37mm	coated	8077 Black Brown	20
0431585	Tilt & turn locking handle	7 x 37mm	anodised	F9 Steel	20
0431588	Tilt & turn locking handle	7 x 37mm	anodised	F4 Bronze	20
0431586	Tilt & turn locking handle	7 x 43mm	anodised	F9 Steel	20
1006A-10/37 9005	Tilt & turn locking handle	7 x 37mm	coated	9005 Black	20



Catalogue not up to date?
Scan the QR or [click here](#)
to view the latest version

[Click to jump back to top](#)

FGS 1758 90° Tilt Before Turn Handle



Product code	Description	Spindle	Finish	Colour	Packaging unit
0431640	Tilt before turn locking handle	7 x 37mm	coated	9016 White	20
0431649	Tilt before turn locking handle	7 x 37mm	anodised	F1 Silver	20
0431645	Tilt before turn locking handle	7 x 37mm	coated	8077 Black Brown	20
0431659	Tilt before turn locking handle	7 x 37mm	coated	F4 Bronze	20
1006A-10/37 9005 TBT	Tilt before turn locking handle	7 x 37mm	coated	9005 Black	20

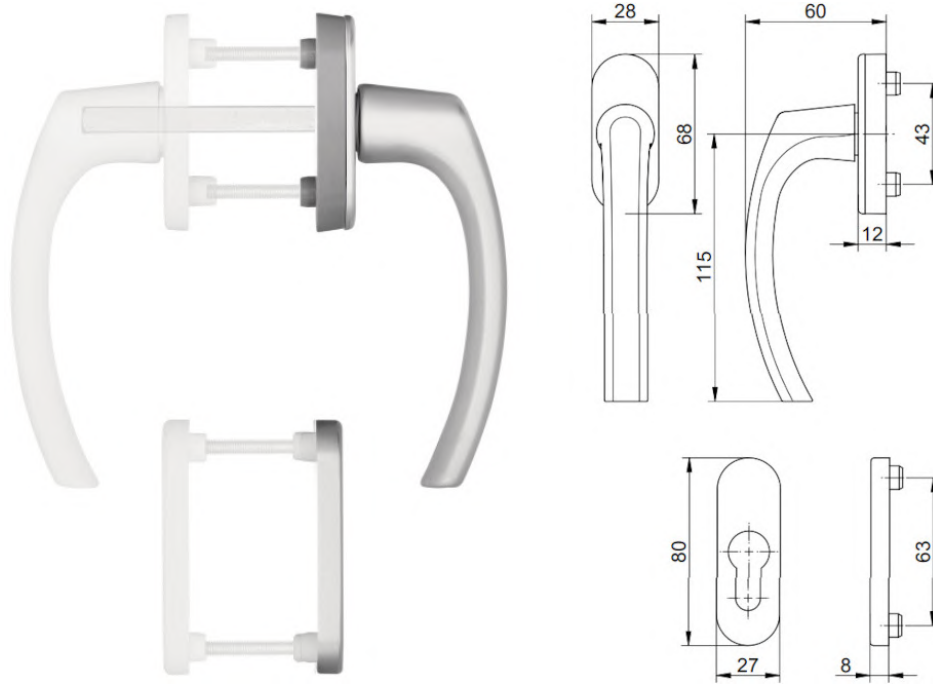


Catalogue not up to date?
Scan the QR or [click here](#)
to view the latest version

[Click to jump back to top](#)

FGS 1758 Internal Balcony Handle with PZ Rosette

INTERNAL HANDLE ONLY. Invisible fixing, spindle kit supplied separately.



Product code	Description	Spindle	Finish	Colour	Packaging unit
0431661	Internal balcony door handle set	7mm	coated	9016 White	2
0431665	Internal balcony door handle set	7mm	anodised	F1 Silver	2
0431699	Internal balcony door handle set	7mm	anodised	F4 Bronze	2
0431666	Internal balcony door handle set	7mm	anodised	F9 Steel	2
0431664	Internal balcony door handle set	7mm	coated	8077 Black Brown	2
0431704	Internal balcony door handle set	7mm	anodised	F9 Steel	2
1006I PZ 9005	Internal balcony door handle set	7mm	anodised	9005 Black	2
0431718	Spindle kit 67-72mm including screws	-	-	-	1

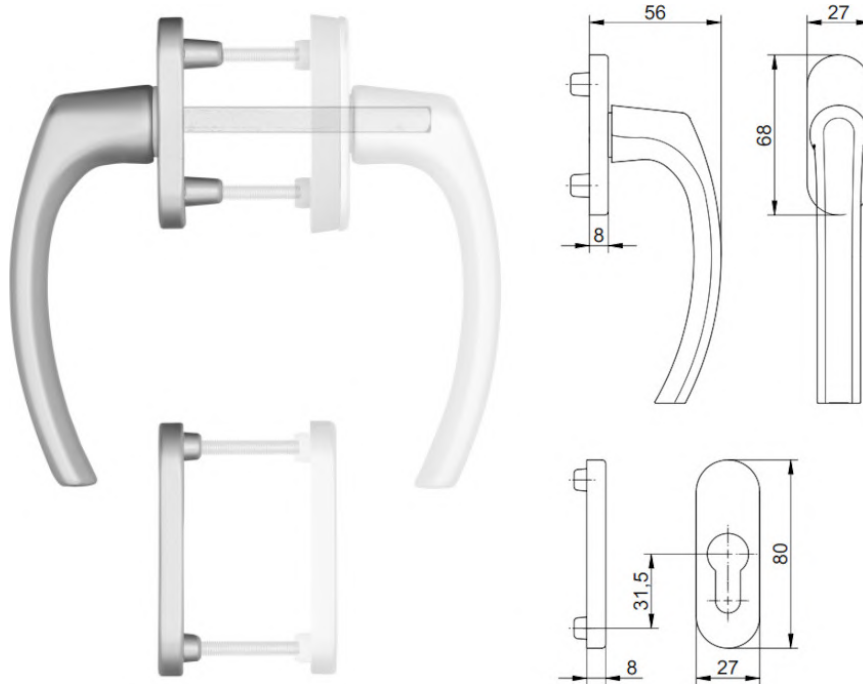


Catalogue not up to date?
Scan the QR or [click here](#)
to view the latest version

[Click to jump back to top](#)

FGS 1758 External Balcony Handle

EXTERNAL HANDLE ONLY. Invisible fixing, spindle kit supplied separately.



Product code	Description	Spindle	Finish	Colour	Packaging unit
0431700	External balcony door handle set	7mm	coated	9016 White	2
0431703	External balcony door handle set	7mm	anodised	F1 Silver	2
0431705	External balcony door handle set	7mm	anodised	F4 Bronze	2
0431702	External balcony door handle set	7mm	coated	8077 Black Brown	2
1006A PZ 9005	External balcony door handle set	7mm	coated	9005 Black	2
0431718	Spindle kit 67-72mm including screws	-	-	-	1

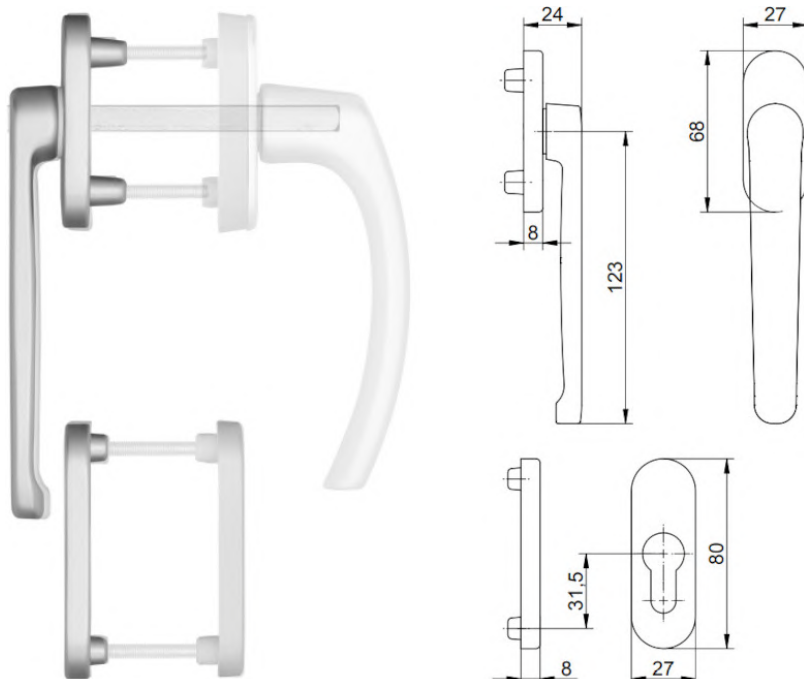


Catalogue not up to date?
Scan the QR or [click here](#)
to view the latest version

[Click to jump back to top](#)

blaugelb FGS 1758 Flat Balcony Handle

Invisible fixing, spindle kit supplied separately.



Product code	Description	Spindle	Finish	Colour	Packaging unit
0431706	External flat balcony door handle set	7mm	coated	9016 White	2
0431708	External flat balcony door handle set	7mm	anodised	F1 Silver	2
0431707	External flat balcony door handle set	7mm	anodised	8077 Black Brown	2
0431710	External flat balcony door handle set	7mm	anodised	F4 Bronze	2
1006A R/PZ 9005	External flat balcony door handle set	7mm	coated	9005 Black	1
0431718	Spindle kit 67-72mm including screws	-	-	-	1

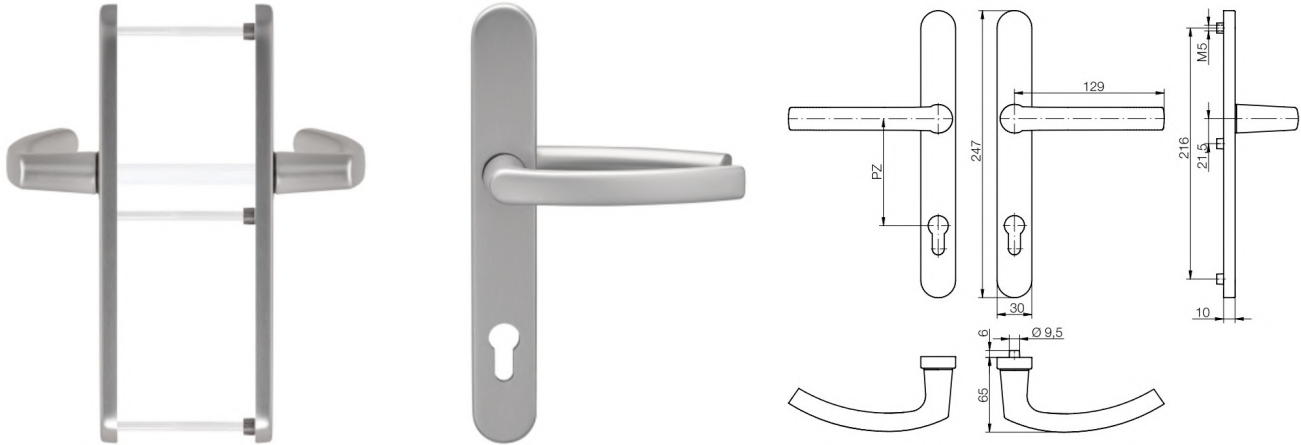


Catalogue not up to date?
Scan the QR or [click here](#)
to view the latest version

[Click to jump back to top](#)

DGT30 Entrance Handle Set

In two parts for easy assembly, invisible fixing (spindle kit sold separately).



Product code	Description	Faceplate Width	PZ Distance	Finish	Colour	Packaging unit
0423940	Entrance handle set	30	92	coated	9016 White	1
0423980	Entrance handle set	30	92	anodised	F1 Silver	1
0424005	Entrance handle set	30	92	stainless steel	Fine Matt	1
0423986	Entrance handle set	30	92	anodised	F4 Bronze	1
0424000	Entrance handle set	30	92	anodised	F9 Steel	1
0423993	Entrance handle set	30	92	coated	8077 Black Brown	1
2000/030/PZ92 9005	Entrance handle set	30	92	coated	9005 Black	1
0424156	Spindle Kit: 8 x 67-72mm inc. screws	-	-	-	-	1
0424157	Spindle Kit: 8 x 72-77mm inc. screws	-	-	-	-	1
0424158	Spindle Kit: 8 x 77-82mm inc. screws	-	-	-	-	1

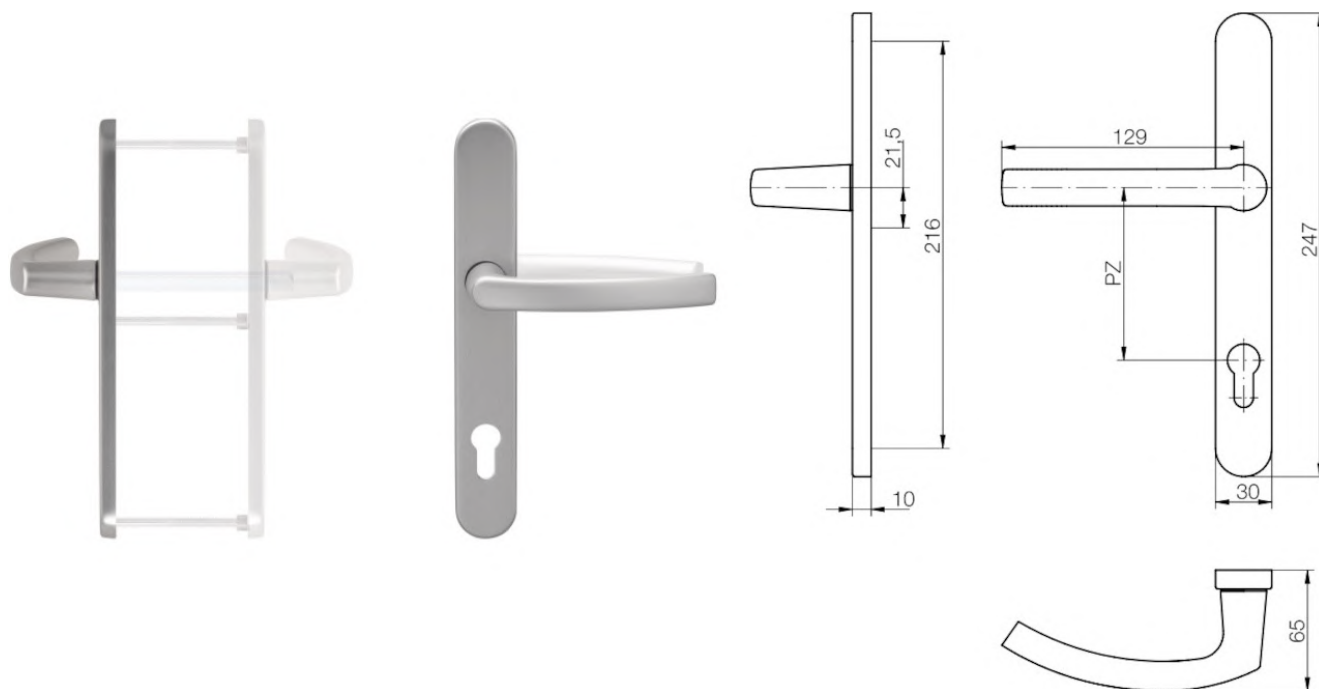


Catalogue not up to date?
Scan the QR or [click here](#)
to view the latest version

[Click to jump back to top](#)

DGT30 Entrance Handle - Internal Only

Internal handle with invisible fixing (spindle kit sold separately).



Product code	Description	Faceplate Width	PZ Distance	Finish	Colour	Packaging unit
0424063	Entrance handle (INTERNAL ONLY)	30	92	coated	white	1
0424067	Entrance handle (INTERNAL ONLY)	30	92	anodised	silver	1
0424081	Entrance handle (INTERNAL ONLY)	30	92	stainless steel	fine matt	1
0424070	Entrance handle (INTERNAL ONLY)	30	92	anodised	F4 Bronze	1
0424078	Entrance handle (INTERNAL ONLY)	30	92	anodised	F9 Steel	1
0424073	Entrance handle (INTERNAL ONLY)	30	92	coated	8077 Black Brown	1
2000/230/PZ 92 9005	Entrance handle (INTERNAL ONLY)	30	92	coated	9005 Black	1
0337807	Half spindle kit 100mm	-	-	-	-	1
0009035822	Spreading cams including M5x25 screws	-	-	-	-	1

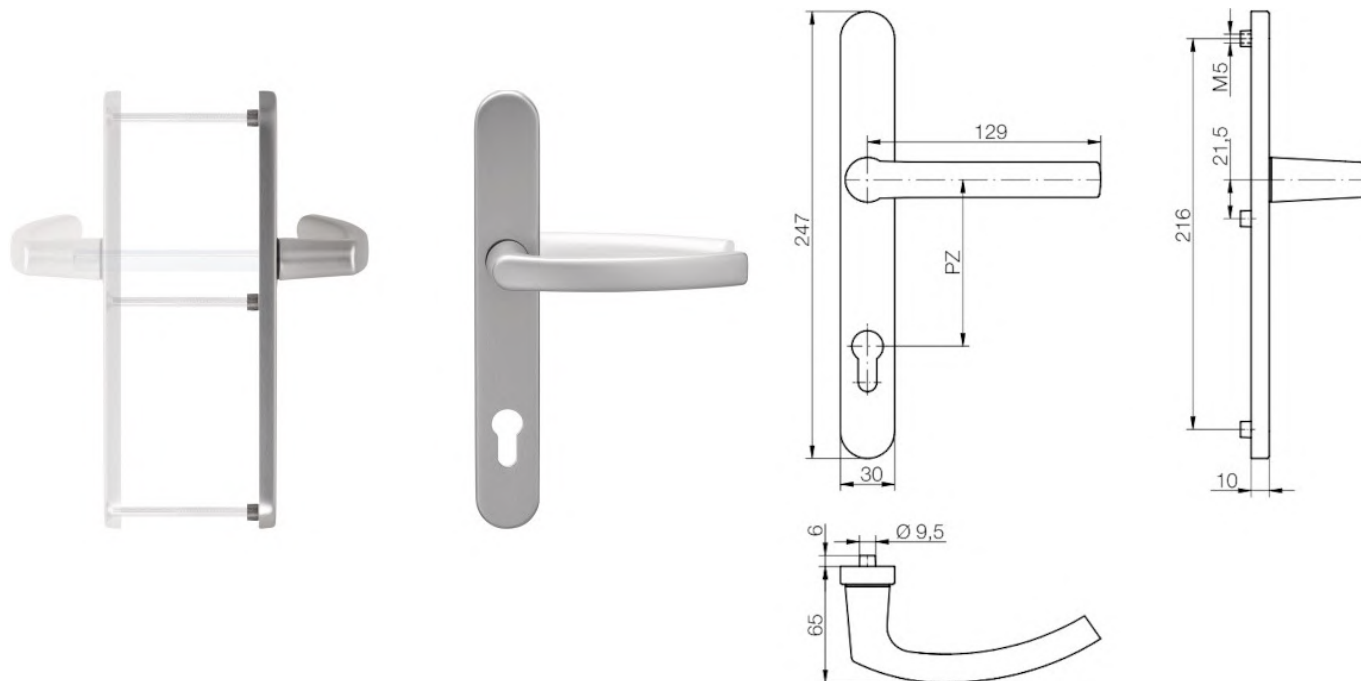


Catalogue not up to date?
Scan the QR or [click here](#)
to view the latest version

[Click to jump back to top](#)

DGT30 Entrance Handle - External Only

External handle with invisible fixing (spindle kit sold separately).



Product code	Description	Faceplate Width	PZ Distance	Finish	Colour	Packaging unit
0424089	Entrance handle (EXTERNAL ONLY)	30	92	anodised	F1 Silver	30
0424094	Entrance handle (EXTERNAL ONLY)	30	92	anodised	F4 Bronze	30
0424099	Entrance handle (EXTERNAL ONLY)	30	92	coated	8077 Black Brown	30
0424084	Entrance handle (EXTERNAL ONLY)	30	92	coated	9016 White	30
0424109	Entrance handle (EXTERNAL ONLY)	30	92	stainless steel	fine matt	30
2000/130/PZ 92 9005	Entrance handle (EXTERNAL ONLY)	30	92	coated	9005 Black	1

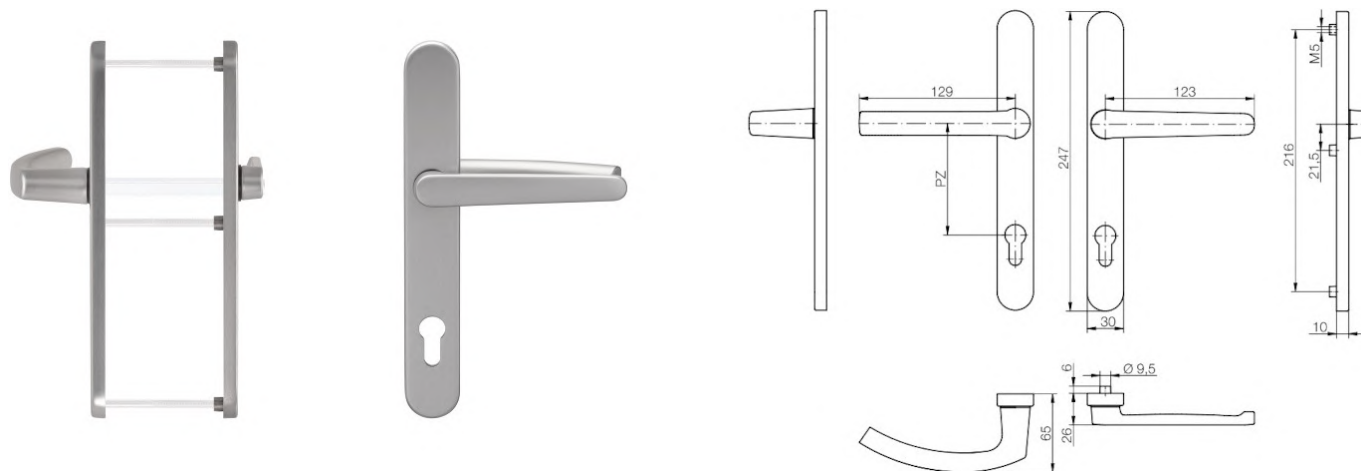


Catalogue not up to date?
Scan the QR or [click here](#)
to view the latest version

[Click to jump back to top](#)

NGT30 Entrance Handle Set

Standard internal handle and slim external handle. With invisible fixing (spindle kit sold separately).



Product code	Description	Faceplate Width	PZ Distance	Spindle	Finish	Colour	Packaging unit
0424056	Entrance handle set with flat outer handle	30	92	8mm	coated	8077 Black Brown	1
0424042	Entrance handle set with flat outer handle	30	92	8mm	coated	9016 White	1
424045	Entrance handle set with flat outer handle	30	92	8mm	anodised	F1 Silver	1

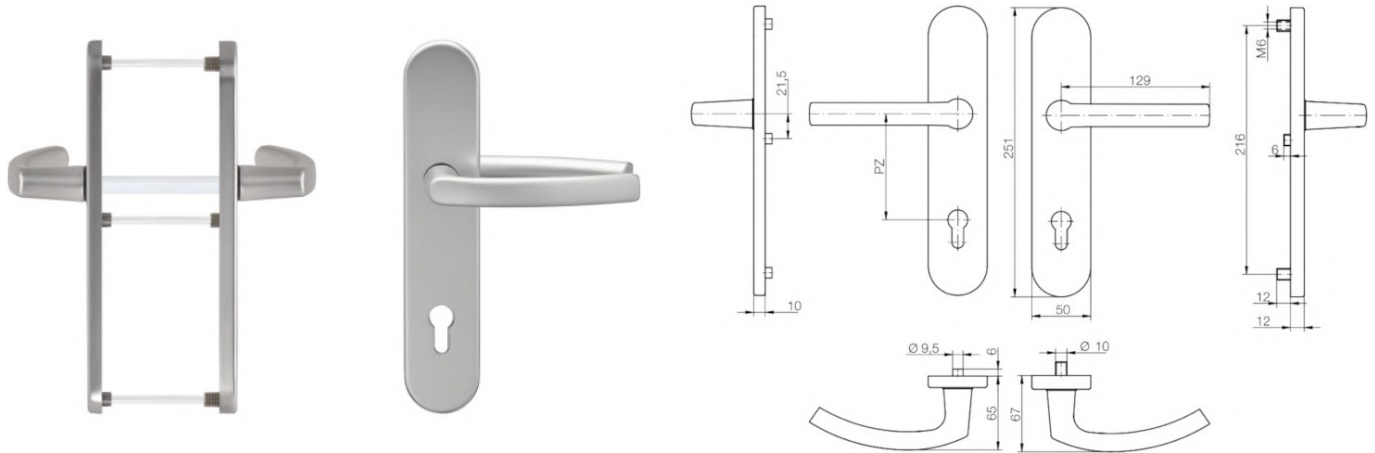


Catalogue not up to date?
Scan the QR or [click here](#)
to view the latest version

[Click to jump back to top](#)

DGT50 Entrance Handle Set

In two parts for easy assembly, invisible fixing. Spindle kit sold separately.



Product code	Description	Faceplate Width	PZ Distance	Spindle	Finish	Colour	Packaging unit
0423978	Entrance handle set	50	92	8mm	coated	9016 White	1
0423983	Entrance handle set	50	92	8mm	anodised	F1 Silver	1
0424009	Entrance handle set	50	92	8mm	stainless steel	fine matt	1
0423990	Entrance handle set	50	92	8mm	anodised	F4 Bronze	1
0424003	Entrance handle set	50	92	8mm	anodised	F9 Steel	
0424171	Spindle kit 67-72mm including screws	-	-	-	-		

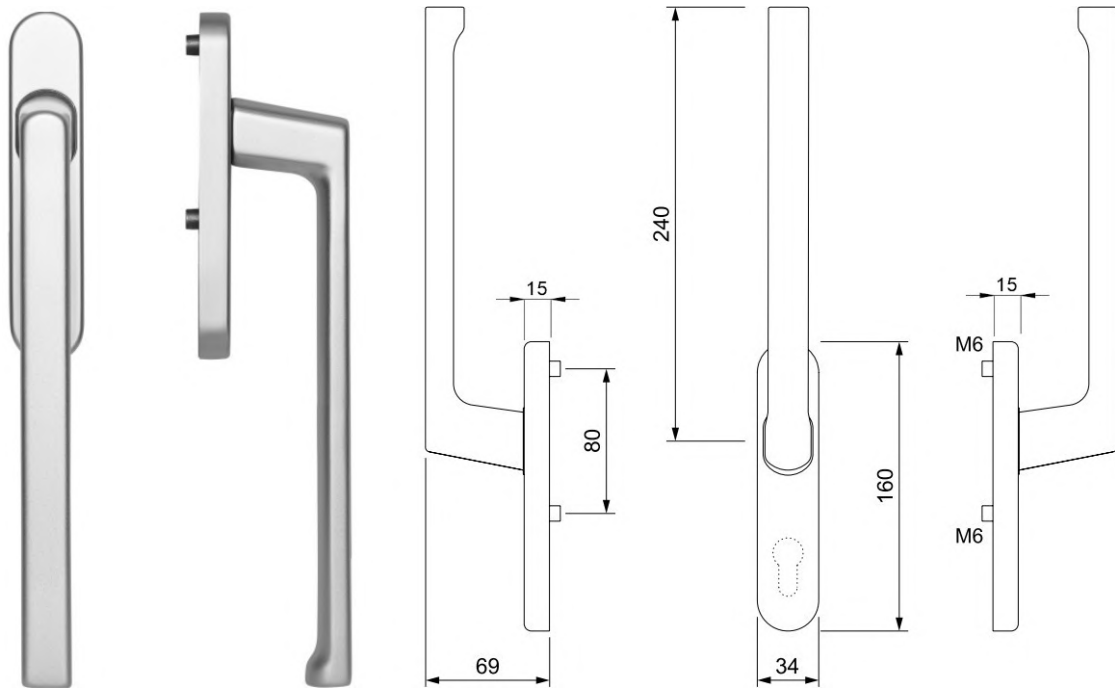


Catalogue not up to date?
Scan the QR or [click here](#)
to view the latest version

[Click to jump back to top](#)

1040 Lift & Slide Handle

Invisible fixing, supplied with spindle kit. Suitable for door thickness 60-70mm.



Product code	Description	Position	Spindle	Finish	Colour	Packaging unit
0009071099	1040 handle inner - without perforation	internal	10 x 95mm	coated	9016 white	1
0009071100	1040 handle inner - without perforation	internal	10 x 95mm	anodised	F1 silver	1
0009071663	1040 handle inner - without perforation	internal	10 x 95mm	anodised	F9 steel	1
0009071102	1040 handle inner - with perforation	internal	10 x 95mm	coated	9016 white	1
0009071103	1040 handle inner - with perforation	internal	10 x 95mm	anodised	F1 silver	1
0009071674	1040 handle inner - with perforation	internal	10 x 95mm	anodised	F9 steel	1
0009071111	1040 handle outer - with perforation	external	10 x 95mm	coated	9016 white	1
0009071112	1040 handle outer - with perforation	external	10 x 95mm	anodised	F1 silver	1
9071677	1040 handle outer - with perforation	external	10 x 95mm	anodised	F9 steel	1
HST 1040-A PZ 9005	1040 handle outer - with perforation	external	10 x 95mm	coated	9005 black	1
HST 1040-I BL 9005	1040 inner outer - without perforation	internal	10 x 95mm	coated	9005 black	1
HST 1040-I PZ 9005	1040 handle inner - with perforation	internal	10 x 95mm	coated	9005 black	1
9230211	1040 handle inner - without perforation	internal	10 x 95mm	coated	F4 Bronze	1
9230212	1040 handle inner - with perforation	internal	10 x 95mm	coated	F4 Bronze	1
9230213	1040 handle outer - with perforation	external	10 x 95mm	coated	F4 Bronze	1
9016528	Spindle set 70-80mm	-	-	-	-	1

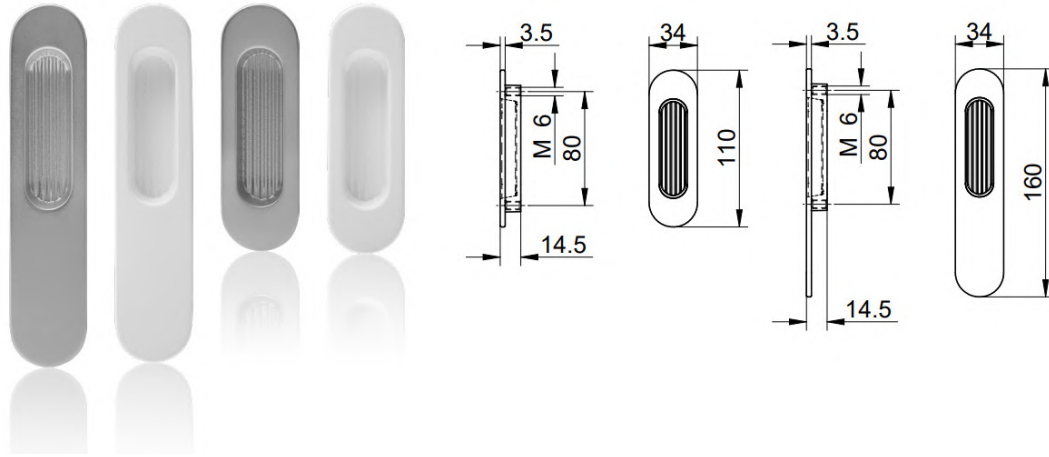


Catalogue not up to date?
Scan the QR or [click here](#)
to view the latest version

[Click to jump back to top](#)

1040 Lift & Slide Flush Pulls

Invisible fixing, screws included, two sizes available.



Product code	Description	Size	Finish	Colour	Packaging unit
0009071117	HSG 1040 flush pull oval - short	110 x 34 x 14.5mm	coated	9016 white	1
0009071118	HSG 1040 flush pull oval - short	110 x 34 x 14.5mm	anodised	F1 silver	1
0009071679	HSG 1040 flush pull oval - short	110 x 34 x 14.5mm	anodised	F9 steel	1
0009071979	HSG 1040 flush pull oval - long	160 x 34 x 14.5mm	coated	9016 white	1
0009071980	HSG 1040 flush pull oval - long	160 x 34 x 14.5mm	anodised	F1 silver	1
0009072195	HSG 1040 flush pull oval - long	160 x 34 x 14.5mm	anodised	F9 steel	1



Catalogue not up to date?
Scan the QR or [click here](#)
to view the latest version

[Click to jump back to top](#)

1040 Lift & Slide Flush Pulls

Invisible fixing, screws included, two sizes available.



Product code	Description	Size	Shape	Finish	Colour	Packaging unit
MUSCHEL E 9005 L	HSG 1040 flush pull square - long	TBC	Long Square	coated	Black	1
MUSCHEL O 9005 L	HSG 1040 flush external oval	TBC	Oval	coated	Black	1

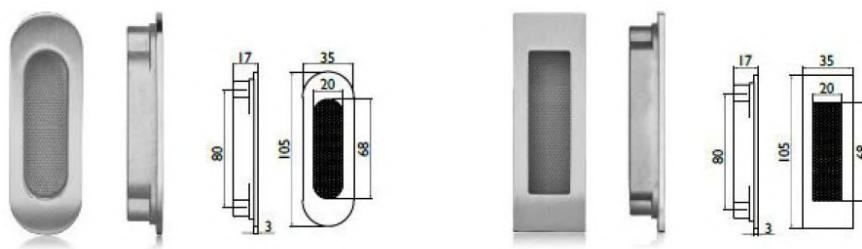


Catalogue not up to date?
Scan the QR or [click here](#)
to view the latest version

[Click to jump back to top](#)

1040 Lift & Slide Flush Pulls

Invisible fixing, screws not included.



Product code	Description	Depth	Face Dimension	Finish	Colour	Packaging unit
09016526	HS flush pull round SS	17mm	35 x 105mm	stainless steel	fine matt	1
9016527	HS flush pull square SS	17mm	35 x 105mm	stainless steel	fine matt	1

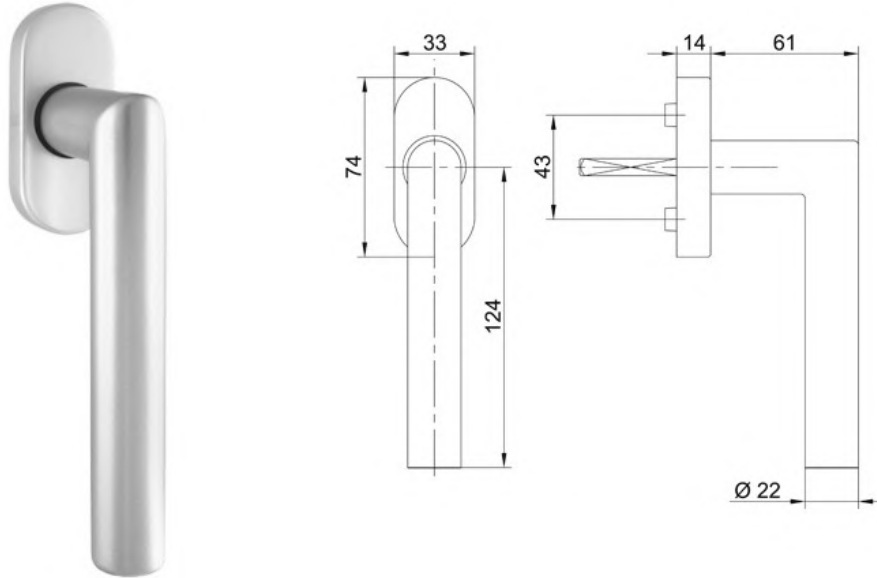


Catalogue not up to date?
Scan the QR or [click here](#)
to view the latest version

[Click to jump back to top](#)

1010 Tilt and Turn Window Handle

Aluminium or stainless steel handle for tilt and turn windows. Oval rosette with ball detent positioning mechanism. Latches at 90° increments.



Product code	Spindle Length (mm)	Colour	Packaging unit
1010-10/35 ES	35	Stainless Steel	1
1010-10/35 F1	35	F1 Silver	1
1010-10/35 W	35	White	1
1010-10/37 F1	37	F1 Silver	1
1010-10/37 W	37	White	1
1010-10/37 9005	37	RAL9005 Black	1

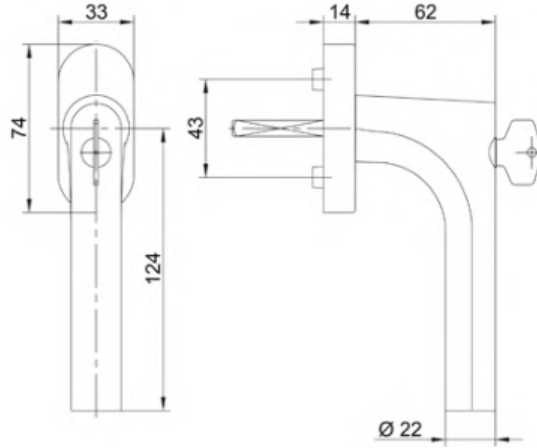


Catalogue not up to date?
Scan the QR or [click here](#)
to view the latest version

[Click to jump back to top](#)

1010 Tilt and Turn Lockable Window Handle

Aluminium or stainless steel handle for tilt and turn windows. Oval rosette with ball detent positioning mechanism. Latches at 90° increments.



Product code	Spindle Length (mm)	Colour	Packaging unit
1010A-10/37 F1	37	F1 Silver	1
1010A-10/37 W	37	White	1
1010A-10/37 9005	37	RAL9005 Black	1



Catalogue not up to date?
Scan the QR or [click here](#)
to view the latest version

[Click to jump back to top](#)

FGS ER 90° 100Nm Window Handle



Product code	Description	Spindle	Finish	Packaging unit
09016510	Tilt and turn locking handle	7mm	Stainless Steel	30



Catalogue not up to date?
Scan the QR or [click here](#)
to view the latest version

[Click to jump back to top](#)

FGS ER 90° Window Handle



Product code	Description	Spindle	Finish	Packaging unit
0430375	Tilt and turn handle	7mm	Stainless Steel	20

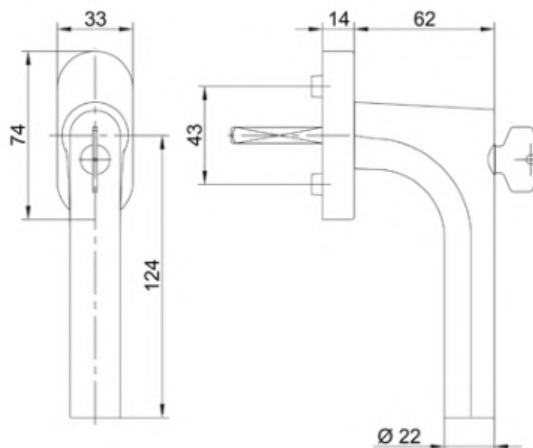


Catalogue not up to date?
Scan the QR or [click here](#)
to view the latest version

[Click to jump back to top](#)

1010 Tilt Before Turn Window Handle

Aluminium or stainless steel handle for tilt and turn windows. Oval rosette with ball detent positioning mechanism. Latches at 90° increments.



Product code	Spindle Length (mm)	Colour	Packaging unit
1010A-10/37 F1 TBT	37	F1 Silver	1
1010A-10/37 W TBT	37	White	1
1010A-10/37 9005 TBT	37	RAL9005 Black	1

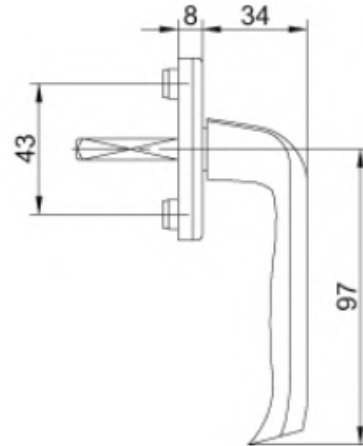
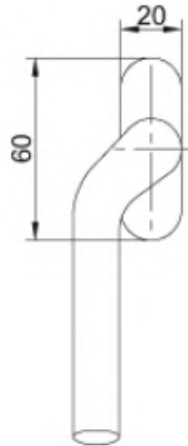


Catalogue not up to date?
Scan the QR or [click here](#)
to view the latest version

[Click to jump back to top](#)

1012VM Cranked Outward Opening Handle - Left

Aluminium cranked handle with narrow faceplate suitable for outward opening window types. Handle rotation limit of 90°.



Product code	Spindle Length (mm)	Colour	Packaging unit
1012V-10/40 9005 L 7 Ros.20	40	RAL9005 Black	1
1012V-10/40 F1 L 7 Ros.20	40	F1 Silver	1
1012V-10/40 W L 7 Ros.20	40	White	1

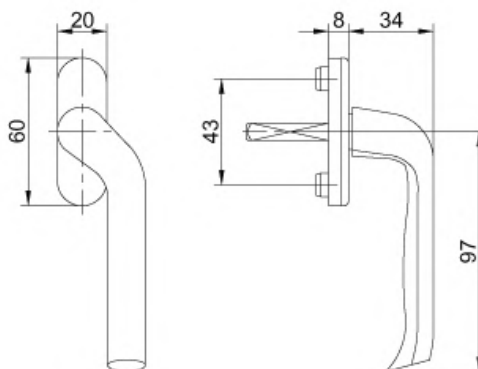


Catalogue not up to date?
Scan the QR or [click here](#)
to view the latest version

[Click to jump back to top](#)

1012VM Cranked Outward Opening Handle - Right

Aluminium cranked handle with narrow faceplate suitable for outward opening window types. Handle rotation limit of 90°.



Product code	Spindle Length (mm)	Colour	Packaging unit
1012V-10/40 9005 R 7 Ros.20	40	RAL9005 Black	1
1012V-10/40 F1 R 7 Ros.20	40	F1 Silver	1
1012V-10/40 W R 7 Ros.20	40	White	1

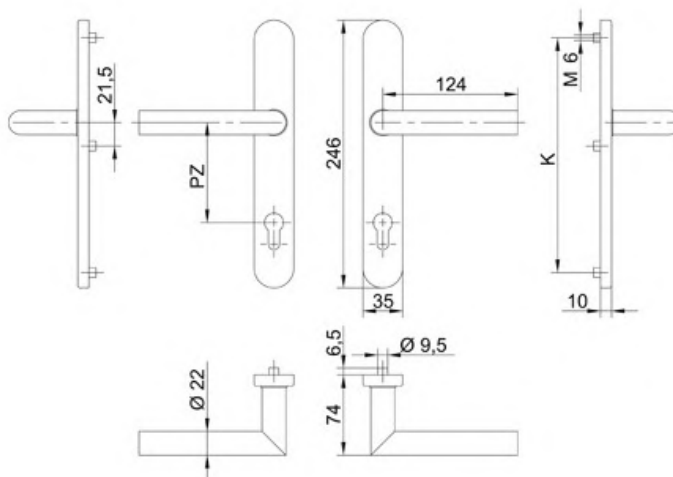


Catalogue not up to date?
Scan the QR or [click here](#)
to view the latest version

[Click to jump back to top](#)

1010 Entrance Door Handle

Set of door handles with zinc alloy outer and hardened steel insert. Internally equipped mechanism to allow smooth operation of handle. Includes M6 screws and 8mm spindle to suit 67 - 72mm profile. 92mm PZ distance.



Product code	PZ	Spindle	Colour	Packaging unit
1010/035/92 PZ 9005	92mm	8mm	Black	1
1010/035/92 PZ ES	92mm	8mm	Stainless Steel	1
1010/035/92 PZ F1	92mm	8mm	F1 Silver	1
1010/035/92 PZ W	92mm	8mm	White	1

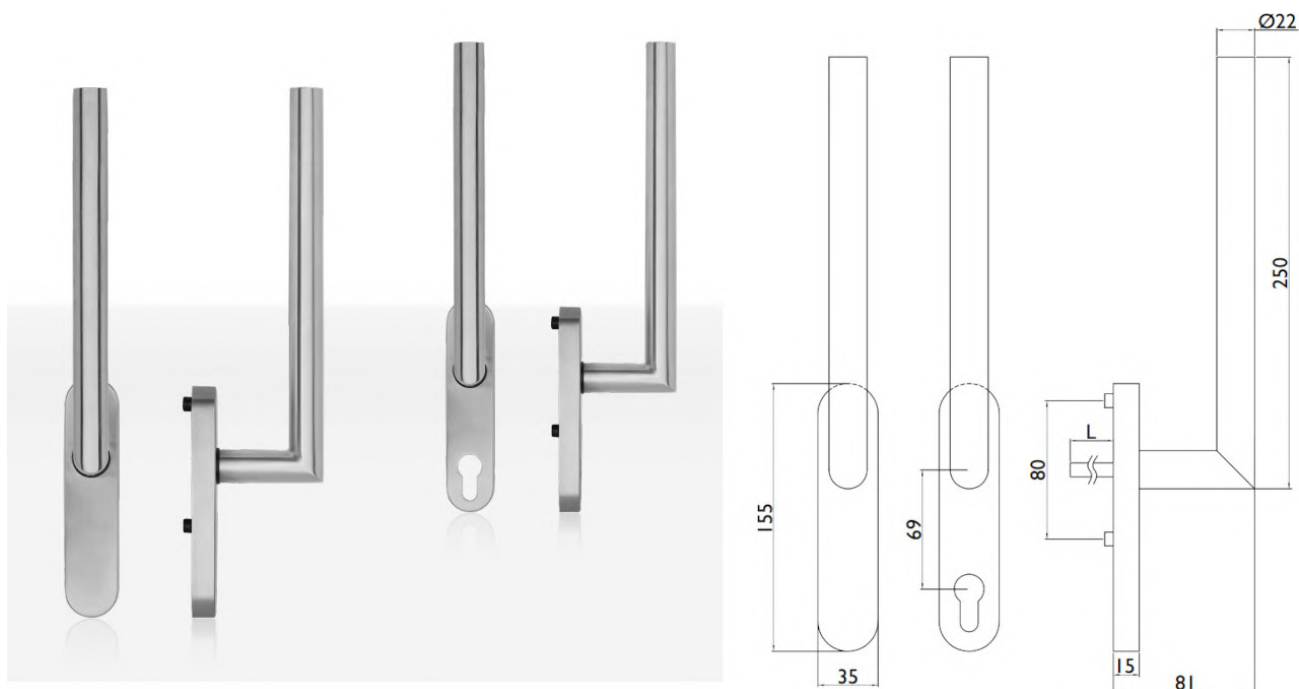


Catalogue not up to date?
Scan the QR or [click here](#)
to view the latest version

[Click to jump back to top](#)

1010 Lift & Slide Handle

Invisible fixing, spindle kit supplied separately.



Product code	Description	Spindle	Finish	Colour	Packaging unit
9016519	HS 1010 handle inner SS	10mm	stainless steel	fine matt	1
9016520	HS 1010 handle outer SS	10mm	stainless steel	fine matt	1
9016528	HS spindle kit 70-80mm including screws	160mm	-	-	1
0009016529	HS spindle kit 81-90mm including screws	160mm	-	-	1
0009016530	HS spindle kit 91-100mm including screws	160mm	-	-	1

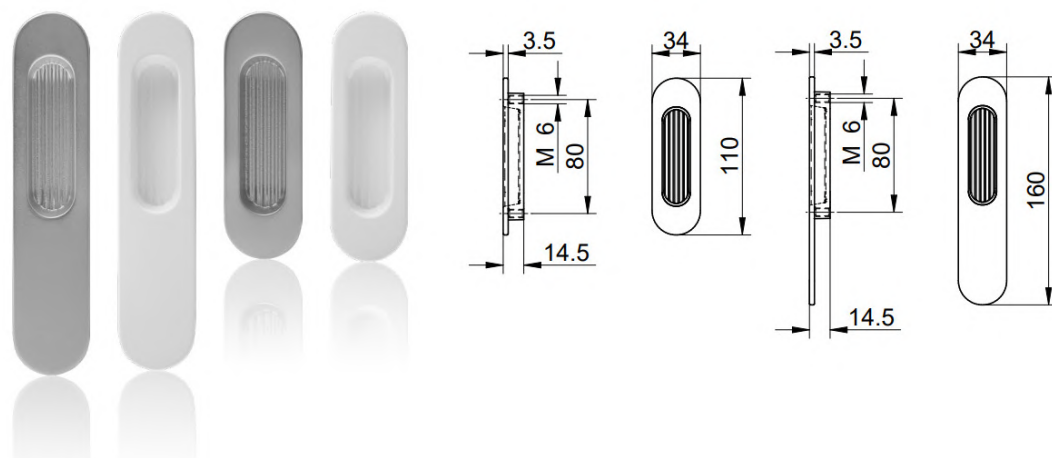


Catalogue not up to date?
Scan the QR or [click here](#)
to view the latest version

[Click to jump back to top](#)

1010 Lift & Slide Flush Pulls

Invisible fixing, screws included, two sizes available.



Product code	Description	Size	Finish	Colour	Packaging unit
0009071117	HSG 1040 flush pull oval - short	110 x 34 x 14.5mm	coated	9016 white	1
0009071118	HSG 1040 flush pull oval - short	110 x 34 x 14.5mm	anodised	F1 silver	1
0009071679	HSG 1040 flush pull oval - short	110 x 34 x 14.5mm	anodised	F9 steel	1
0009071979	HSG 1040 flush pull oval - long	160 x 34 x 14.5mm	coated	9016 white	1
0009071980	HSG 1040 flush pull oval - long	160 x 34 x 14.5mm	anodised	F1 silver	1
0009072195	HSG 1040 flush pull oval - long	160 x 34 x 14.5mm	anodised	F9 steel	1

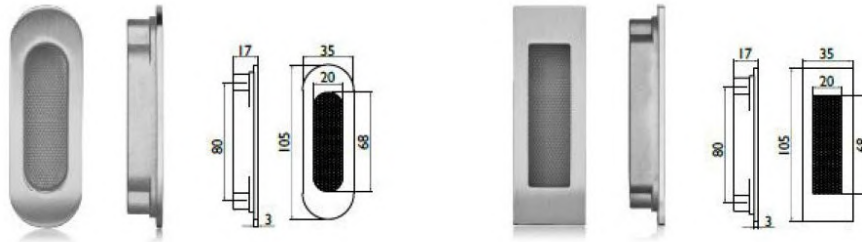


Catalogue not up to date?
Scan the QR or [click here](#)
to view the latest version

[Click to jump back to top](#)

1010 Lift & Slide Flush Pulls

Invisible fixing, screws not included.



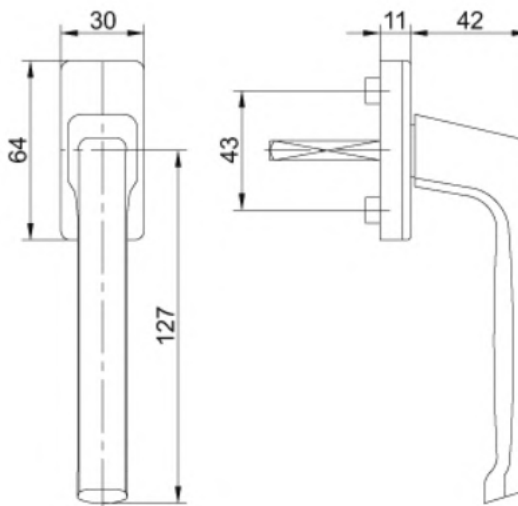
Product code	Description	Depth	Face Dimension	Finish	Colour	Packaging unit
09016526	HS flush pull round SS	17mm	35 x 105mm	stainless steel	fine matt	1
9016527	HS flush pull square SS	17mm	35 x 105mm	stainless steel	fine matt	1



Catalogue not up to date?
Scan the QR or [click here](#)
to view the latest version

[Click to jump back to top](#)

1030 Tilt and Turn Handle



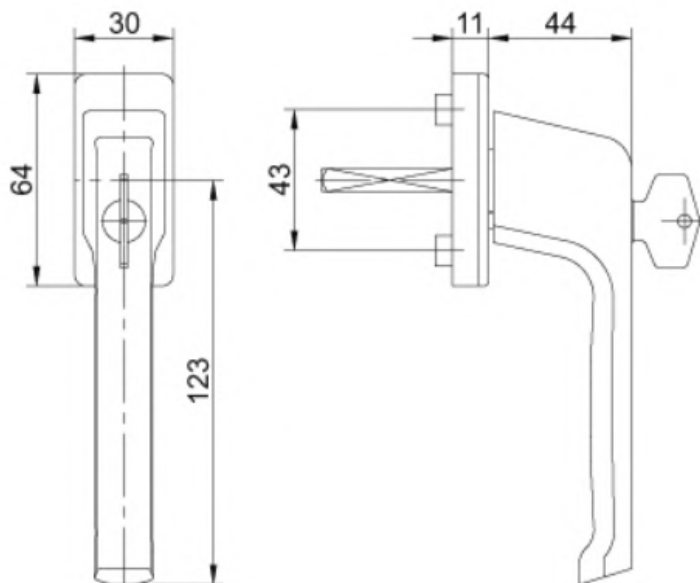
Product code	Description	Spindle	Faceplate Width	Colour	Packaging unit
1030-10/35 9005	1030 Tilt and Turn Handle	7x35mm	30mm	RAL9005 Black	1
1030-10/35 F1	1030 Tilt and Turn Handle	7x35mm	30mm	F1 Silver	1
1030-10/35 W	1030 Tilt and Turn Handle	7x35mm	30mm	White	1



Catalogue not up to date?
Scan the QR or [click here](#)
to view the latest version

[Click to jump back to top](#)

1030 Lockable Tilt and Turn Handle



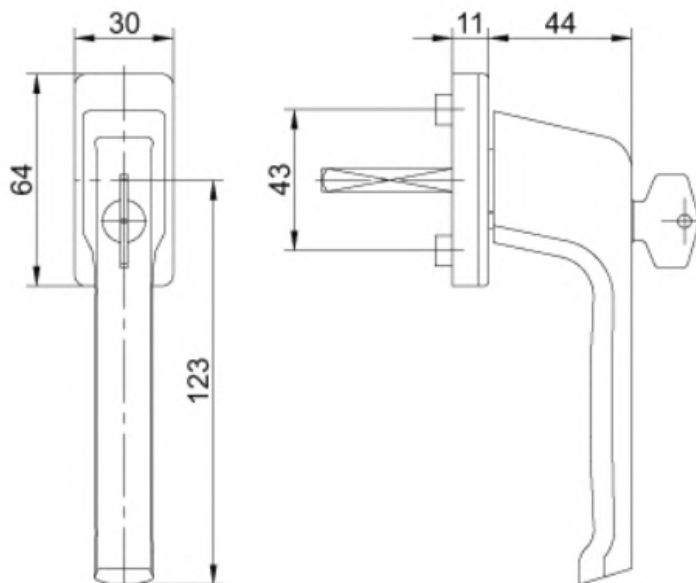
Product code	Description	Spindle	Faceplate Width	Colour	Packaging unit
1030A-10/35 9005	1030 Lockable Tilt and Turn Handle	7x35mm	30mm	RAL9005 Black	1
1030A-10/35 F1	1030 Lockable Tilt and Turn Handle	7x35mm	30mm	F1 Silver	1
1030A-10/35 W	1030 Lockable Tilt and Turn Handle	7x35mm	30mm	White	1



Catalogue not up to date?
Scan the QR or [click here](#)
to view the latest version

[Click to jump back to top](#)

1030 Tilt Before Turn Handle



Product code	Description	Spindle	Faceplate Width	Colour	Packaging unit
1030A-10/35 9005 TBT	1030 Lockable Tilt and Turn Handle	7x35mm	30mm	RAL9005 Black	1
1030A-10/35 F1 TBT	1030 Lockable Tilt and Turn Handle	7x35mm	30mm	F1 Silver	1
1030A-10/35 W TBT	1030 Lockable Tilt and Turn Handle	7x35mm	30mm	White	1



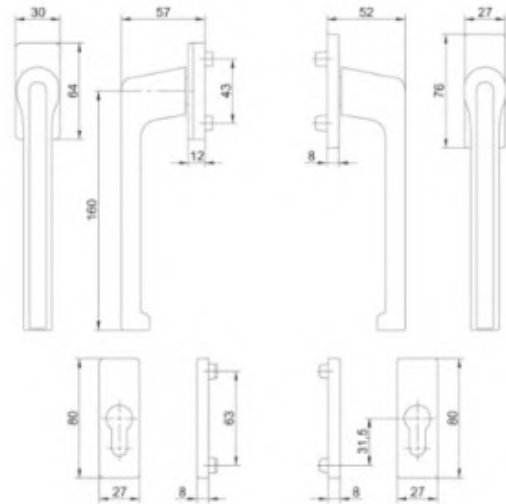
Catalogue not up to date?
Scan the QR or [click here](#)
to view the latest version

[Click to jump back to top](#)

501 Balcony Set

1030 Balcony handle set with rectangular rosettes.

Note: Fixings and spindle to be purchased separately. Please table below for recommendation.



Product code	Description	Faceplate Width	Colour	Packaging unit
501 PZ ECKIG W	Balcony handle set with square rosettes	27mm	White	1
501 PZ ECKIG F1	Balcony handle set with square rosettes	27mm	F1 Silver	1
501 PZ ECKIG 9005	Balcony handle set with square rosettes	27mm	Black	1
ZMZP0010-100010	Spindle Kit to suit 75-84mm profile thickness	-	-	1
ZMZP0020-100010	Spindle Kit to suit 65-74mm profile thickness	-	-	1



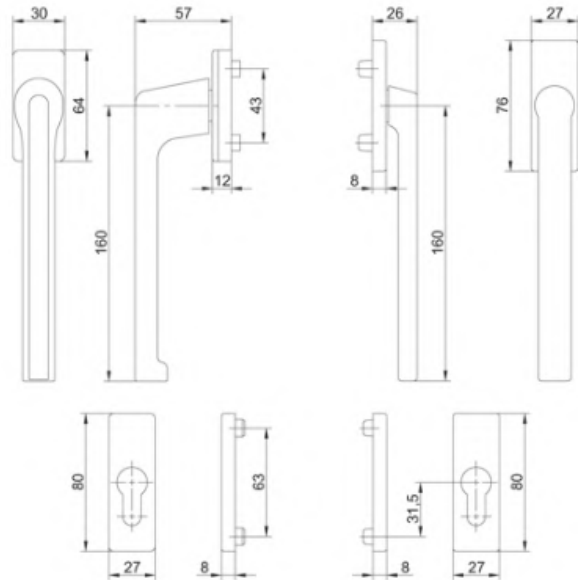
Catalogue not up to date?
Scan the QR or [click here](#)
to view the latest version

[Click to jump back to top](#)

501 Flat / Standard Balcony Set

1030 Balcony handle set with rectangular rosettes. One regular handle and one low profile

Note: Fixings and spindle to be purchased separately. Please table below for recommendation.



Product code	Description	Faceplate Width	Colour	Packaging unit
501 R/PZ ECKIG W	Balcony handle set with square rosettes	27mm	White	1
501 R/PZ ECKIG F1	Balcony handle set with square rosettes	27mm	F1 Silver	1
501 R/PZ ECKIG 9005	Balcony handle set with square rosettes	27mm	Black	1
ZMZF0010-100010	Spindle Kit to suit 75-84mm profile thickness	-	-	1
ZMZF0020-100010	Spindle Kit to suit 65-74mm profile thickness	-	-	1

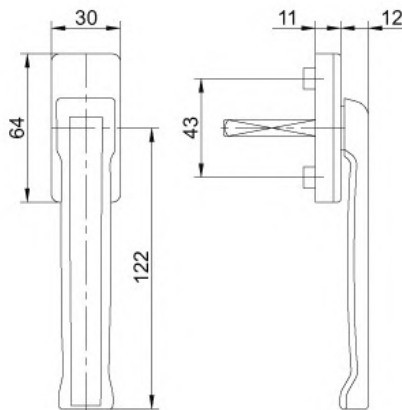


Catalogue not up to date?
Scan the QR or [click here](#)
to view the latest version

[Click to jump back to top](#)

1030R Super Flat Handle

Low profile handle



Product code	Spindle	Faceplate Width	Colour	Packaging unit
1030R-10/37 9005	7x37mm	30mm	Black	1
1030R-10/37 F1	7x37mm	30mm	F1 Silver	1
1030R-10/37 W	7x37mm	30mm	White	1



Catalogue not up to date?
Scan the QR or [click here](#)
to view the latest version

[Click to jump back to top](#)

1030 Balcony Set



Product code	Faceplate Width	Colour	Packaging unit
1030 PZ F1	30mm	F1 Silver	1
1030 PZ W	30mm	White	1
1030 PZ 9005	30mm	RAL9005 Black	1



Catalogue not up to date?
Scan the QR or [click here](#)
to view the latest version

[Click to jump back to top](#)

1030 Standard / Low Profile Balcony Set



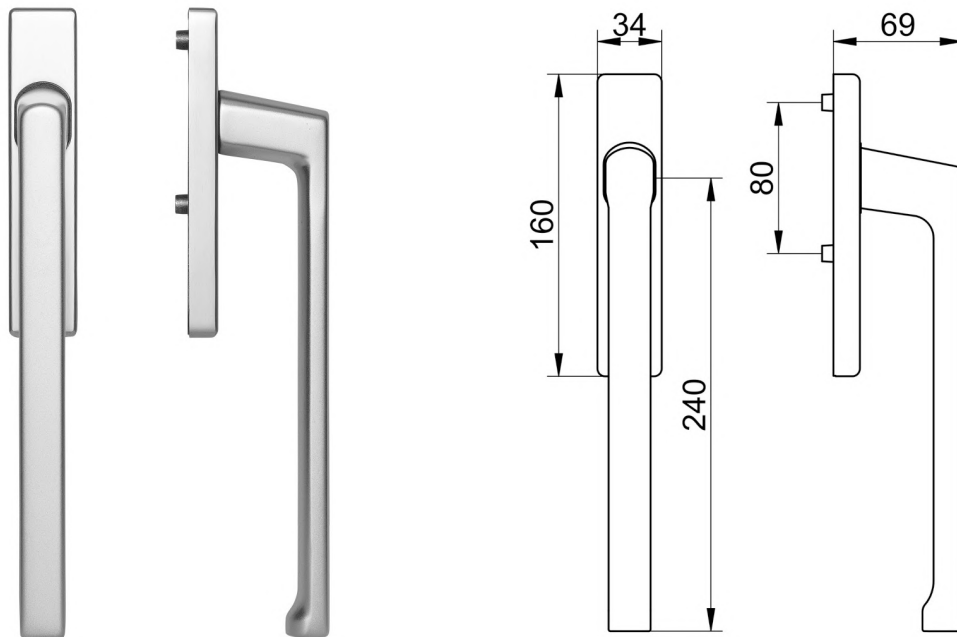
Product code	Faceplate Width	Colour	Packaging unit
1030 R/PZ F1	30mm	F1 Silver	1
1030 R/PZ W	30mm	White	1
1030 R/PZ 9005	30mm	RAL9005 Black	1



Catalogue not up to date?
Scan the QR or [click here](#)
to view the latest version

[Click to jump back to top](#)

1050 Lift and Slide Handle



Product code	Description	Handle Facing	PZ Perforation	Colour	Packaging unit
0009071114	Lift and Slide Handle	External	Yes	White	1
0009071115	Lift and Slide Handle	External	Yes	F1 Silver	1
0009071106	Lift and Slide Handle	Internal	No	F1 Silver	1
0009071105	Lift and Slide Handle	Internal	No	White	1
0009071108	Lift and Slide Handle	Internal	Yes	White	1
0009071109	Lift and Slide Handle	Internal	Yes	F1 Silver	1
HST1050-A PZ 9005	Lift and Slide Handle	External	Yes	Black	20
HST1050-I 9005	Lift and Slide Handle	Internal	No	Black	20
HST1050-I PZ 9005	Lift and Slide Handle	Internal	Yes	Black	20

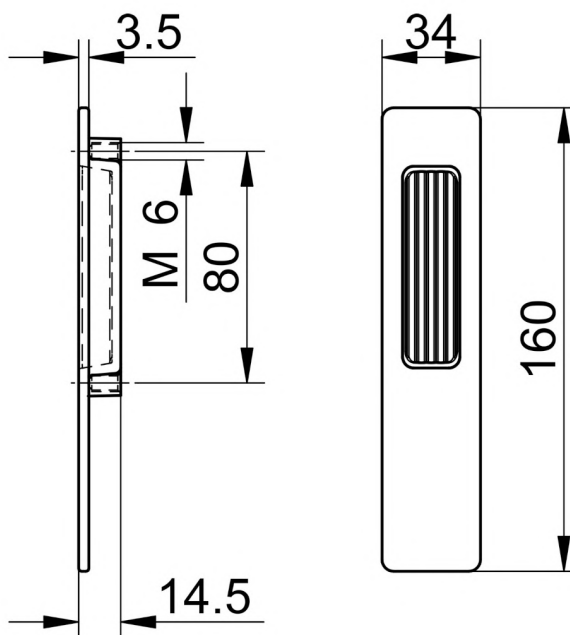
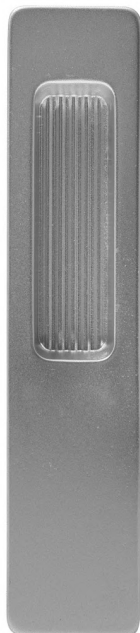
*Spindle kit to be purchased separately. See spindle kit page.



Catalogue not up to date?
Scan the QR or [click here](#)
to view the latest version

[Click to jump back to top](#)

1050 Flush Lift and Slide Flush Pull



Product code	Description	PZ Perforation	Colour	Packaging unit
0009071982	Flush Pull Handle	No	White	1
0009071983	Flush Pull Handle	No	F1 Silver	1



Catalogue not up to date?
Scan the QR or [click here](#)
to view the latest version

[Click to jump back to top](#)

1033 Window Handle

Window Handle



Product code	Description	Spindle	Colour	Packaging unit
1033-10/37 9005	Tilt & Turn Window Handle	7 x 37mm	Black	1
1033-10/37 F1	Tilt & Turn Window Handle	7 x 37mm	F1 Silver	1
1033-10/37 W	Tilt & Turn Window Handle	7 x 37mm	White	1



Catalogue not up to date?
Scan the QR or [click here](#)
to view the latest version

[Click to jump back to top](#)

1033 Lockable Window Handle

Window Handle - Lockable



Product code	Description	Spindle	Colour	Packaging unit
1033A-10/37 F1	Lockable Tilt & Turn handle	7 x 37mm	F1 Silver	1
1033A-10/37 W	Lockable Tilt & Turn handle	7 x 37mm	White	1
1033A-10/37 9005	Lockable Tilt & Turn handle	7 x 37mm	Black	1
1033A-10/37 F1 NM	Lockable Tilt & Turn handle	7 x 37mm	F1 Silver	1



Catalogue not up to date?
Scan the QR or [click here](#)
to view the latest version

[Click to jump back to top](#)

1033 Tilt Before Turn Window Handle

TBT Window Handle



Product code	Description	Spindle	Colour	Packaging unit
1033A-10/37 F1 TBT	Tilt Before Turn Handle	7 x 37mm	F1 Silver	1
1033A-10/37 W TBT	Tilt Before Turn Handle	7 x 37mm	White	1
1033A-10/37 9005 TBT	Tilt Before Turn Handle	7 x 37mm	Black	1

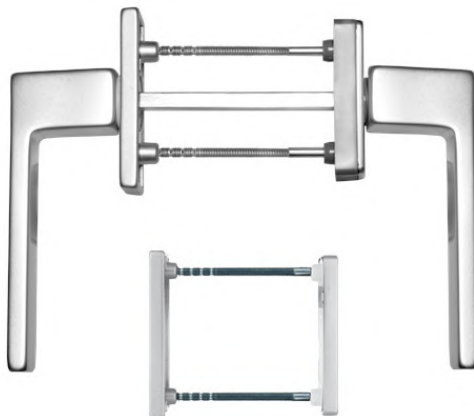


Catalogue not up to date?
Scan the QR or [click here](#)
to view the latest version

[Click to jump back to top](#)

1033PZ Balcony Set - Standard

Balcony Set



Product code	Faceplate Width	Colour	Packaging unit
1033 PZ 9005 90 9005	27mm	Black	1
1033 PZ F1 90 F1	27mm	F1 Silver	1
1033 PZ W 90 9016	27mm	White	1



Catalogue not up to date?
Scan the QR or [click here](#)
to view the latest version

[Click to jump back to top](#)

1033R/PZ Balcony Set - Low Profile

Balcony Set with standard inner handle and low profile outer handle.



Product code	Faceplate Width	Colour	Packaging unit
1033 R/PZ 9005 90 9005	27mm	Black	1
1033 R/PZ F1 90 F1	27mm	F1 Silver	1
1033 R/PZ W 90 9016	27mm	White	1

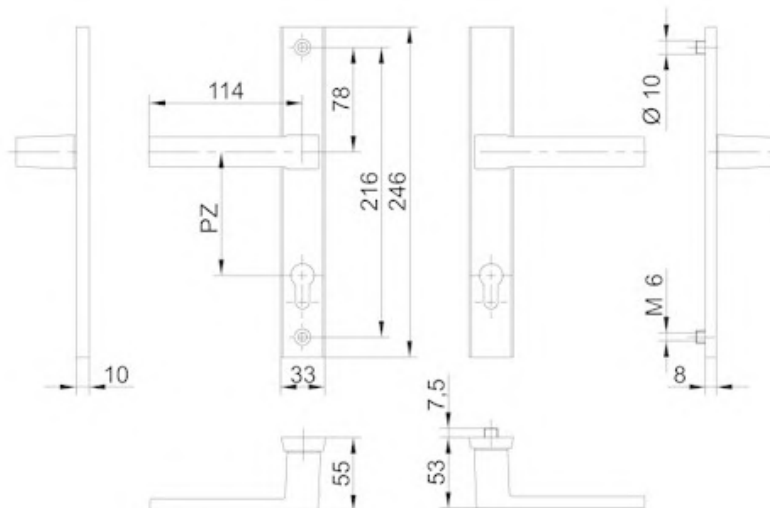


Catalogue not up to date?
Scan the QR or [click here](#)
to view the latest version

[Click to jump back to top](#)

1033 Door Handle - Lockable

Door Handle Lockable



Product code	PZ Distance	Faceplate Width	Colour	Packaging unit
1033/033/92 PZ 9005	92mm	33mm	Black	1
1033/033/92 PZ F1	92mm	33mm	F1 Silver	1
1033/033/92 PZ F9	92mm	33mm	F9 Steel	1
1033/033/92 PZ W	92mm	33mm	White	1

*Jig is available, see jigs page.

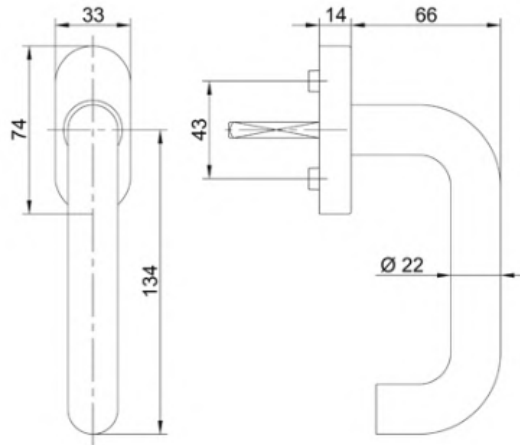


Catalogue not up to date?
Scan the QR or [click here](#)
to view the latest version

[Click to jump back to top](#)

MA1040 Tilt and Turn Window Handle

MA1040 Tilt and Turn Handle



Product code	Description	Spindle	Colour	Packaging unit
1040-10/35 W 90	Tilt and turn handle	7 x 35mm	White	1
1040-10/35 ES 90	Tilt and turn handle	7 x 35mm	Stainless Steel	1
1040-10/35 F1 90	Tilt and turn handle	7 x 35mm	F1 Silver	1
1040-10/37 9005	Tilt and turn handle	7 x 35mm	RAL9005 Black	1

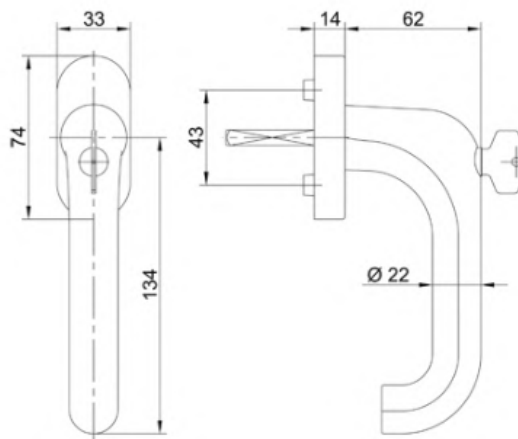


Catalogue not up to date?
Scan the QR or [click here](#)
to view the latest version

[Click to jump back to top](#)

MA1040 Tilt Before Turn Window Handle

MA1040 Tilt Before Turn Handle



Product code	Description	Spindle	Colour	Packaging unit
1040A-10/37 9005 TBT	Tilt before turn handle	7 x 35mm	RAL9005 Black	1



Catalogue not up to date?
Scan the QR or [click here](#)
to view the latest version

[Click to jump back to top](#)

MA1040 Entrance Handle Set



Product code	Description	Spindle	Colour	Packaging unit
1040/035/92 PZ ES	Entrance Handle Set	8mm	Stainless Steel	1
1040/035/92 PZ F1	Entrance Handle Set	8mm	F1 Silver	1
1040/035/92 PZ W	Entrance Handle Set	8mm	White	1

*Requires spindle kit

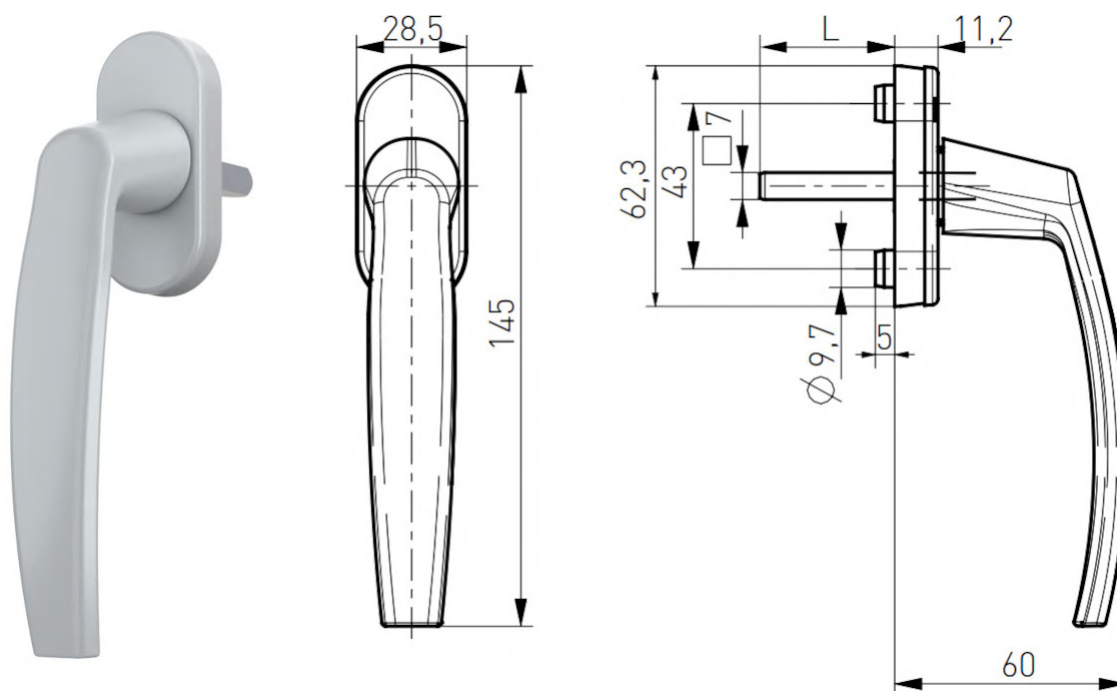


Catalogue not up to date?
Scan the QR or [click here](#)
to view the latest version

[Click to jump back to top](#)

Medos Victory Range Tilt & Turn Handle

43mm hole centres, mounting screws supplied.



Product code	Description	Spindle	Colour	Packaging unit
13290163590PM	Tilt & turn handle	7 x 35mm	9016 White	1
132SILV3590PM	Tilt & turn handle	7 x 35mm	Silver	1
13290013590PM	Tilt & turn handle	7 x 35mm	Cream	1
13280773590PM	Tilt & turn handle	7 x 35mm	Dark Brown	1
1329005M3590PM	Tilt & turn handle	7 x 35mm	Black	1
13280774090PM	Tilt & turn handle	7 x 40mm	8077 Dark Brown	1
132SILV4090PM	Tilt & turn handle	7 x 40mm	Silver	1

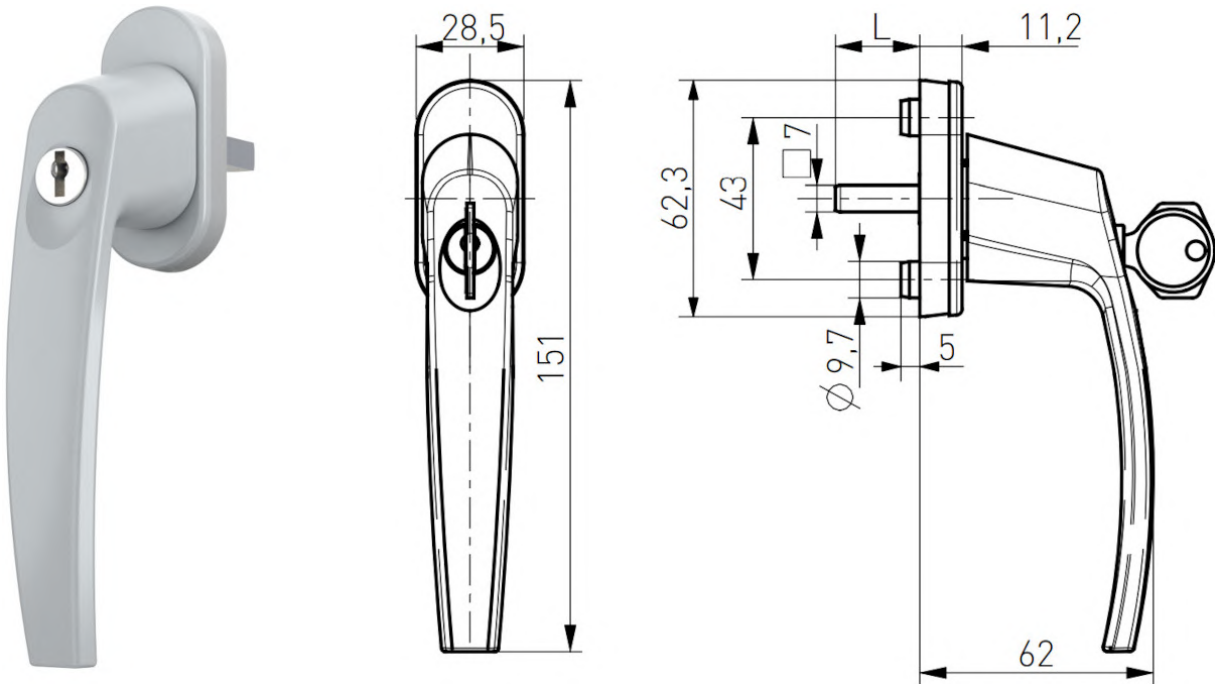


Catalogue not up to date?
Scan the QR or [click here](#)
to view the latest version

[Click to jump back to top](#)

Medos Victory Range Tilt & Turn Lockable Handle

43mm hole centres, mounting screws supplied.



Product code	Description	Spindle	Finish	Colour	Packaging unit
13390013590PM	Tilt & turn handle	7 x 35mm	coated	9001 Cream	10
13390014090PM	Tilt & turn handle	7 x 40mm	coated	9001 Cream	10
13380774090PM	Tilt & turn handle	7 x 40mm	coated	8077 Dark Brown	10
1339005M4090PM	Tilt & turn handle	7 x 40mm	coated	9005 Black (Matt)	10
133SILV4090PM	Tilt & turn handle	7 x 40mm	coated	Silver	10
133SILV3590PM	Tilt & turn handle	7 x 35mm	coated	Silver	10
13390163590PM	Tilt & turn handle	7 x 35mm	coated	9016 White	10
13380773590PM	Tilt & turn handle	7 x 35mm	coated	8077 Dark Brown	10
1339005M3590PM	Tilt & turn handle	7 x 35mm	coated	9005 Black (Matt)	10

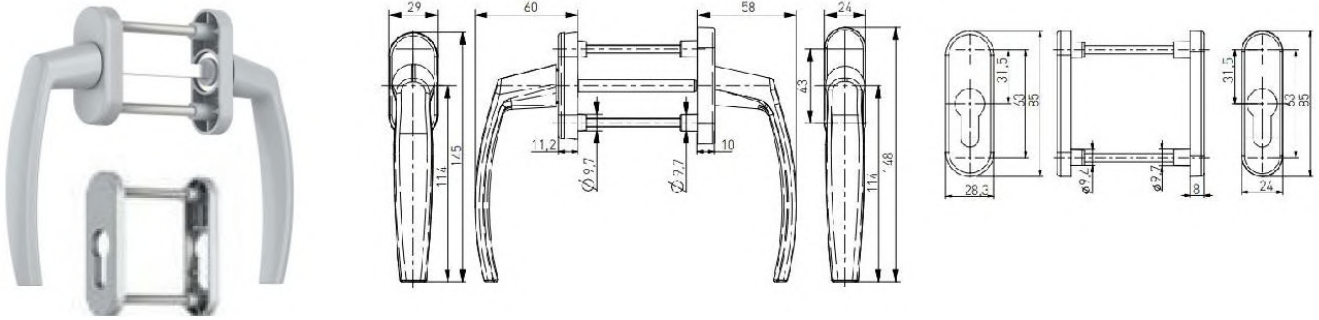


Catalogue not up to date?
Scan the QR or [click here](#)
to view the latest version

[Click to jump back to top](#)

Medos Victory Range Balcony Handle

Mounting screws and spindle supplied.



Product code	Description	Spindle	Finish	Colour	Packaging unit
19190160090	Balcony handle with rosette	8 x 117mm	coated	9016 white	1 set
19180770090	Balcony handle with rosette	8 x 117mm	coated	8077 brown	1 set
1919005M0090	Balcony handle with rosette	8 x 117mm	coated	9005 black	1 set
191SILV0090	Balcony handle with rosette	8 x 117mm	coated	silver	1 set
19190010090	Balcony handle with rosette	8 x 117mm	coated	9001 cream	1 set

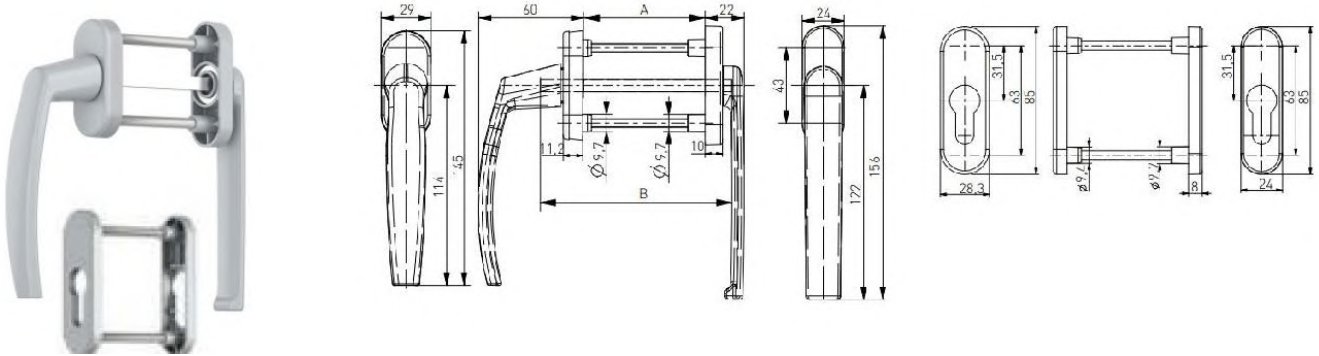


Catalogue not up to date?
Scan the QR or [click here](#)
to view the latest version

[Click to jump back to top](#)

Medos Victory Range Flat Balcony Handle

Mounting screws and spindle supplied.



Product code	Description	Spindle	Finish	Colour	Packaging unit
19290160090	Flat balcony handle with rosette	8 x 117mm	coated	9016 white	1 set
19280770090	Flat balcony handle with rosette	8 x 117mm	coated	8077 brown	1 set
1929005M0090	Flat balcony handle with rosette	8 x 117mm	coated	9005 black	1 set
192SILV0090	Flat balcony handle with rosette	8 x 117mm	coated	silver	1 set

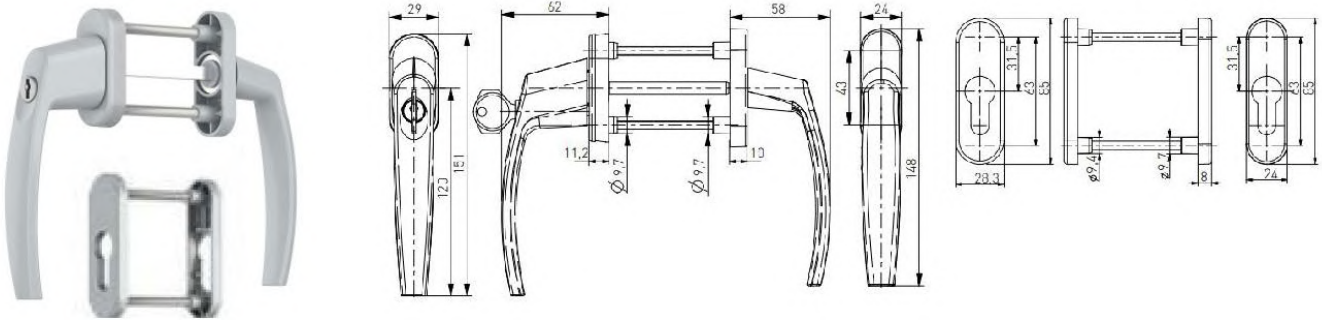


Catalogue not up to date?
Scan the QR or [click here](#)
to view the latest version

[Click to jump back to top](#)

Medos Victory Range Lockable Balcony Handle

Mounting screws and spindle supplied.



Product code	Description	Spindle	Finish	Colour	Packaging unit
19390160090	Lockable balcony handle with rosette	8 x 117mm	coated	9016 white	1 set
19380770090	Lockable balcony handle with rosette	8 x 117mm	coated	8077 brown	1 set
1939005M0090	Lockable balcony handle with rosette	8 x 117mm	coated	9005 black	1 set
193SILV0090	Lockable balcony handle with rosette	8 x 117mm	coated	silver	1 set



Catalogue not up to date?
Scan the QR or [click here](#)
to view the latest version

[Click to jump back to top](#)

Medos Victory Range Lockable PSK Tilt and Slide Handle



Product code	Faceplate width	Spindle	Turn Degrees	Finish	Colour	Packaging unit
12980774090	30mm	7mm	90	coated	8077 Black Brown	1
12990164090	30mm	7mm	90	coated	9016 White	1
1299005M4090	30mm	7mm	90	coated	9005 Black (Matt)	1
129SILV4090	30mm	7mm	90	coated	Silver	1
129SILV4045	30mm	7mm	45	coated	Silver	1



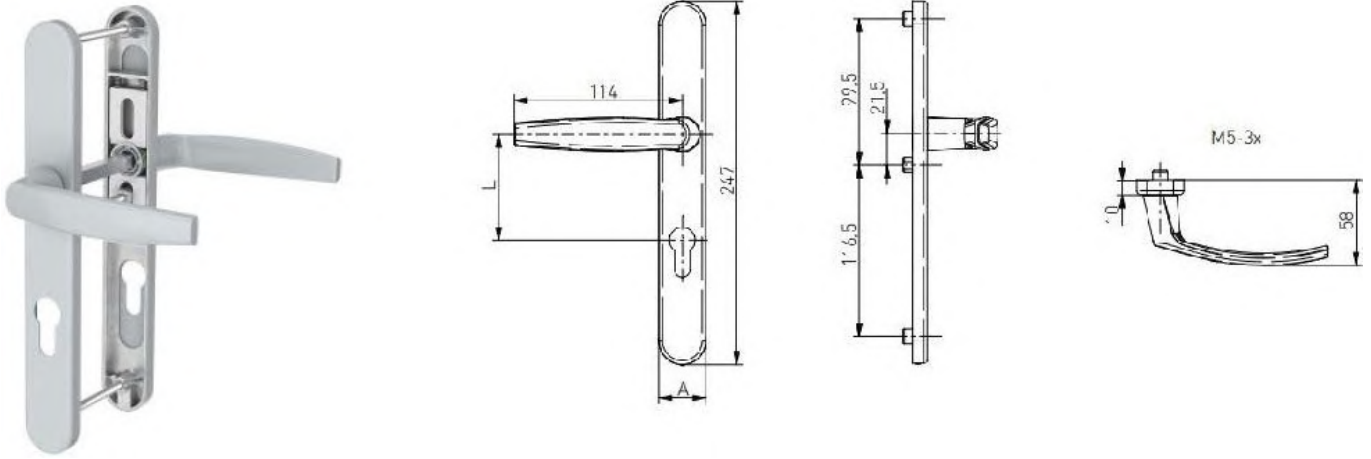
Catalogue not up to date?
Scan the QR or [click here](#)
to view the latest version

[Click to jump back to top](#)

Medos Victory Range Entrance Handle

Surface: coated

Mounting screws and spindle included.



Product code	Description	Spindle	PZ	Faceplate Width	Colour	Packaging unit
18190163292	Entrance handle	8 x 128mm	92mm	32mm	9016 white	1 set
18180773292	Entrance handle	8 x 128mm	92mm	32mm	8077 brown	1 set
1819005M3292	Entrance handle	8 x 128mm	92mm	32mm	9005 black	1 set
181SILV3292	Entrance handle	8 x 128mm	92mm	32mm	silver	1 set
181SILV2592	Entrance handle	8 x 128mm	92mm	25mm	silver	1 set
1819005M2592	Entrance handle	8 x 128mm	92mm	25mm	9005 black	1 set
18190162592	Entrance handle	8 x 128mm	92mm	25mm	9016 white	1 set



Catalogue not up to date?
Scan the QR or [click here](#)
to view the latest version

[Click to jump back to top](#)

Medos Victory Range Entrance Handle - NO PZ

Mounting screws and spindle supplied.



Product code	Faceplate Width	Colour	Packaging unit
1819005M3200ZWBW	32mm	9005 Black	1
18190163200ZWBW	32mm	9016 white	1
181SILVER3200ZWBW	32mm	Silver	1



Catalogue not up to date?
Scan the QR or [click here](#)
to view the latest version

[Click to jump back to top](#)

Medos Victory Range Entrance Handle - Combo Colours

Mounting screws and spindle supplied.



Product code	Faceplate Width	Colour - Inside	Colour - Outside	Packaging unit
181SILV90162592	25mm	9016 white	silver	1
1819005M90162592	25mm	9016 white	9005 black	1



Catalogue not up to date?
Scan the QR or [click here](#)
to view the latest version

[Click to jump back to top](#)

Medos Victory Range Entrance Handle - Combo w/ P handle

Mounting screws and spindle supplied.



Product code	Faceplate Width	Colour	Packaging unit
1879005M3292	32mm	9005 black	1
18790163292	32mm	9016 white	1

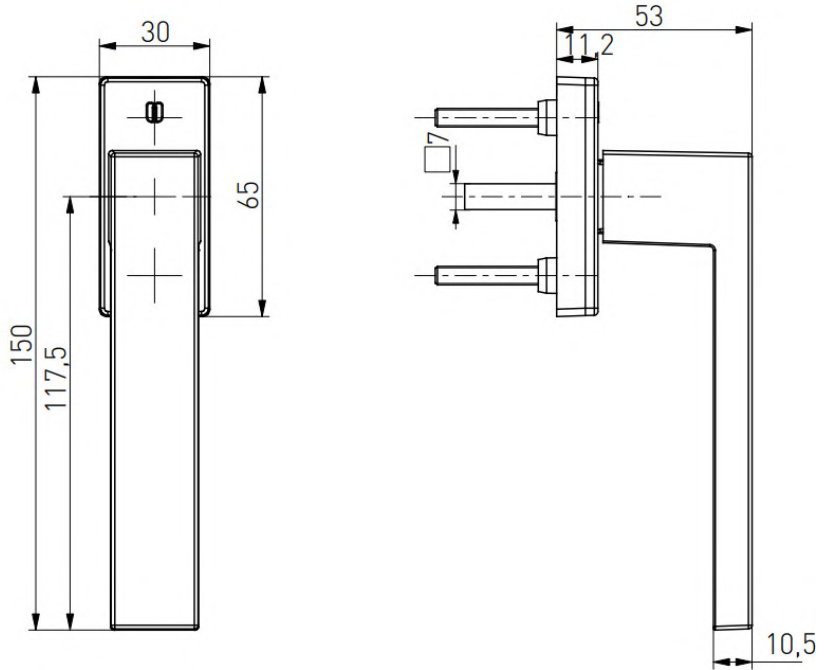


Catalogue not up to date?
Scan the QR or [click here](#)
to view the latest version

[Click to jump back to top](#)

Medos Dublin Range Tilt & Turn Handle

43mm hole centres, screws supplied.



Product code	Description	Spindle	Finish	Colour	Packaging unit
160F90054090SD	Tilt & turn handle	7 x 40mm	sandblasted - anodised	9005 Black	12
160F90054090BD	Tilt & turn handle	7 x 40mm	brushed - anodised	9005 Black	12
1609005M4090	Tilt & turn handle	7 x 40mm	coated	9005 Black	12
16090164090PM	Tilt & turn handle	7 x 40mm	coated	9016 White	12
160F14090SD	Tilt & turn handle	7 x 40mm	sandblasted - anodised	F1 Silver	12
160F9005DLX4090SD	Tilt & turn handle	7 x 40mm	sandblasted - anodised	F9005 Black Deluxe	12

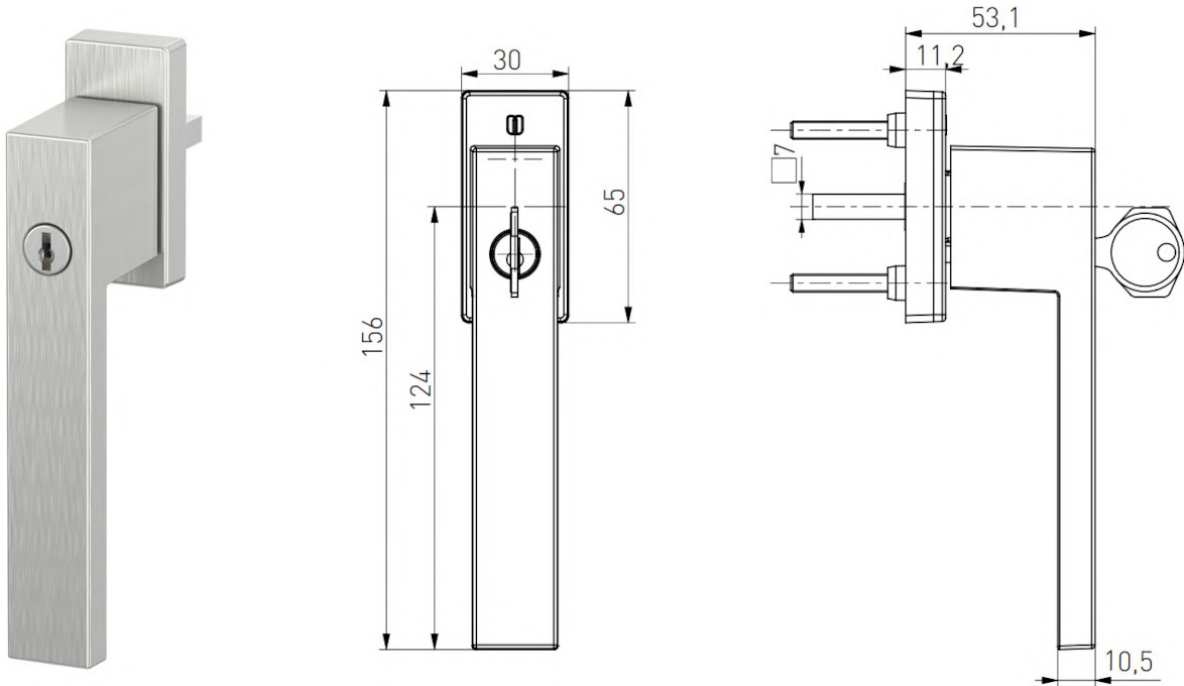


Catalogue not up to date?
Scan the QR or [click here](#)
to view the latest version

[Click to jump back to top](#)

Medos Dublin Range Tilt & Turn Lockable Handle

43mm hole centres, screws supplied.



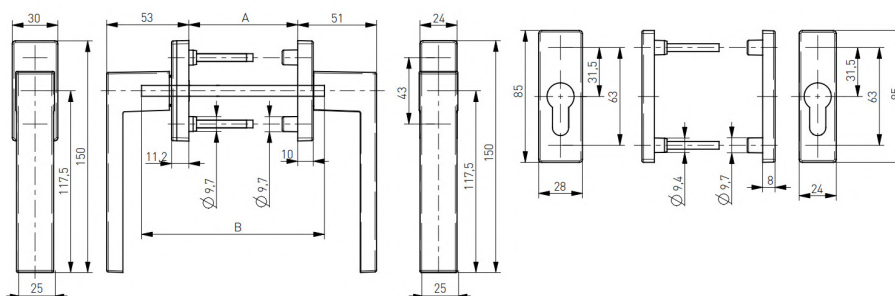
Product code	Description	Spindle	Finish	Colour	Packaging unit
1619005M4090PM	Tilt & turn handle - lockable	7 x 40mm	coated	9005 Black	12
16190164090PM	Tilt & turn handle - lockable	7 x 40mm	coated	9016 White	12
161F14090SD	Tilt & turn handle - lockable	7 x 40mm	sandblasted - anodised	F1 Silver	12
161F90054090SD	Tilt & turn handle - lockable	7 x 40mm	sandblasted - anodised	9005 Black	12
161F90054090BD	Tilt & turn handle - lockable	7 x 40mm	brushed - anodised	9005 Black	12
161F14090BD	Tilt & turn handle - lockable	7 x 40mm	brushed - anodised	F1 Silver	12



Catalogue not up to date?
Scan the QR or [click here](#)
to view the latest version

[Click to jump back to top](#)

Medos Dublin Range Balcony Handle Set with Rosettes



Product code	Faceplate width	Spindle	Finish	Colour	Packaging unit
191D9016M0045	30mm	7mm	coated	9016 White	1 set
191DF10045SD	30mm	7mm	sandblasted - anodised	F1 Silver	1 set
191DF90050045SD	30mm	7mm	sandblasted - anodised	9005 Black	1 set
191D9005M0045	30mm	7mm	coated	9005 Mat Black	1 set
191DF10045BD	30mm	7mm	brushed - anodised	F1 Silver	1 set
191DF90050045BD	30mm	7mm	brushed - anodised	9005 Black	1 set



Catalogue not up to date?
Scan the QR or [click here](#)
to view the latest version

[Click to jump back to top](#)

Medos Dublin Range PSK Tilt and Slide Handle



Product code	Faceplate width	Spindle	Finish	Colour	Packaging unit
129D9005M3545	30mm	7mm	coated	9005 Black (Matt)	1
129D9016M3545	30mm	7mm	coated	9016 White (Matt)	1
129DF13545BD	30mm	7mm	brushed - anodised	F1 Silver	1
129DF13545SD	30mm	7mm	sandblasted - anodised	F1 Silver	1
129DF90053545BD	30mm	7mm	brushed - anodised	9005 Black	1
129DF90053545SD	30mm	7mm	sandblasted - anodised	9005 Black	1



Catalogue not up to date?
Scan the QR or [click here](#)
to view the latest version

[Click to jump back to top](#)

Medos Dublin Range Smart Slide Handle (PSK L-40/90)



Product code	Faceplate width	Spindle	Finish	Colour	Packaging unit
128DSM9005M4090	30mm	7mm	coated	9005 Black (Matt)	1
128DSMF14090SD	30mm	7mm	sandblasted - anodised	F1 Silver	1
128DSM9016M4090	30mm	7mm	coated	9016 White	1



Catalogue not up to date?
Scan the QR or [click here](#)
to view the latest version

[Click to jump back to top](#)

Medos Dublin Range Smart Slide Recessed Pull Handle



Product code	Faceplate width	Finish	Colour	Packaging unit
128PSM9005M	37mm	coated	9005 Black (Matt)	1
128PSMF1SD	37mm	sandblasted - anodised	F1 Silver	1
128PSM9016M	37mm	coated	9016 White (Matt)	1



Catalogue not up to date?
Scan the QR or [click here](#)
to view the latest version

[Click to jump back to top](#)

Medos Dublin Range HS Internal Lift & Slide Handle (without PZ)

Internal HS lift and slide handle without PZ perforation.



Product code	Faceplate width	Finish	Colour	Packaging unit
128HSD9005MWBW	34mm	coated	9005 Black	1
128HSD9016MWBW	34mm	coated	9016 White	1
128HSDF1BDWBW	34mm	brushed - anodised	F1 Silver	1
128HSDF1SDWBW	34mm	sandblasted - anodised	F1 Silver	1
128HSDF9005BDW	34mm	brushed - anodised	9005 Black	1
128HSDF9005SDWBW	34mm	sandblasted - anodised	9005 Black	1



Catalogue not up to date?
Scan the QR or [click here](#)
to view the latest version

[Click to jump back to top](#)

Medos Dublin Range HS Internal Lift & Slide Handle (with PZ)

Internal HS lift and slide handle with PZ perforation.



Product code	Faceplate width	Finish	Colour	Packaging unit
128HSD9005MW	34mm	coated	9005 Black	1
128HSD9016MW	34mm	coated	9016 White (Matt)	1
128HSDF1BDW	34mm	brushed - anodised	F1 Silver	1
128HSDF1SDW	34mm	sandblasted - anodised	F1 Silver	1
128HSDF9005SDW	34mm	sandblasted - anodised	9005 Black	1

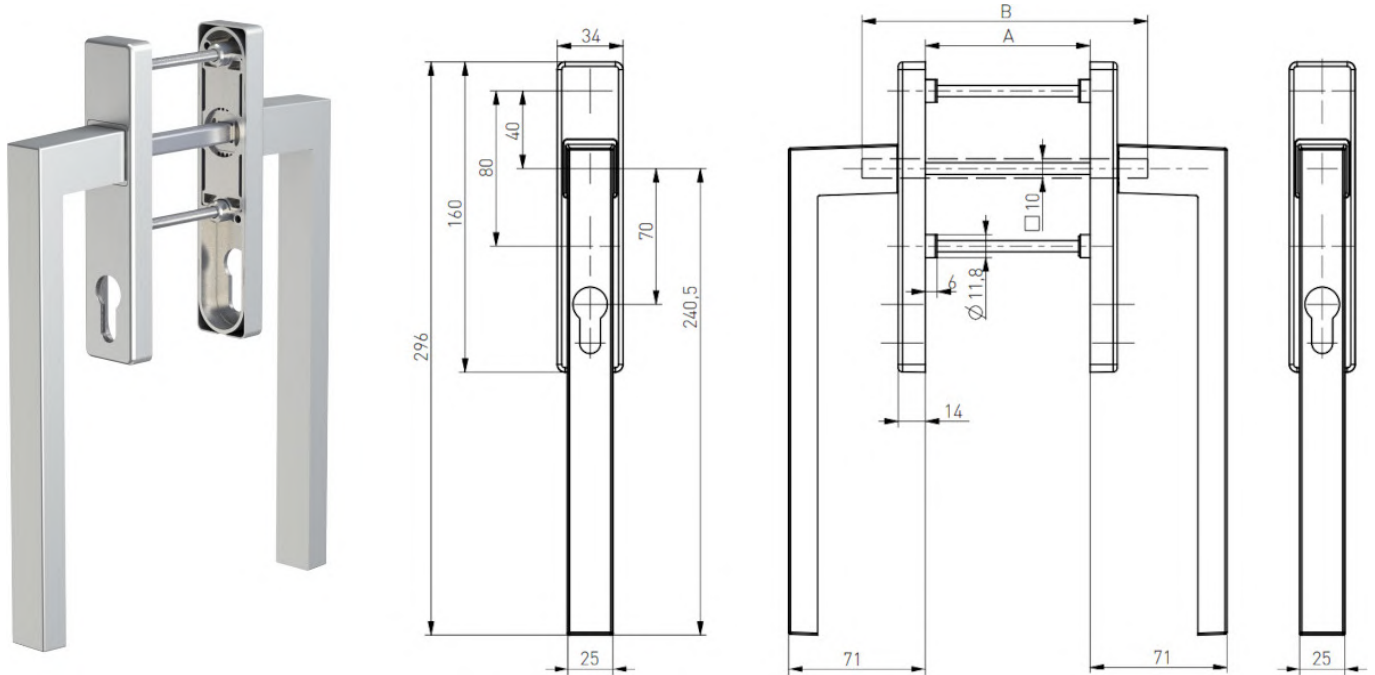


Catalogue not up to date?
Scan the QR or [click here](#)
to view the latest version

[Click to jump back to top](#)

Medos Dublin Range HS Internal Lift & Slide Handle Set (with PZ)

Internal & external HS lift and slide handle set with PZ perforation. Includes inner and outer handle



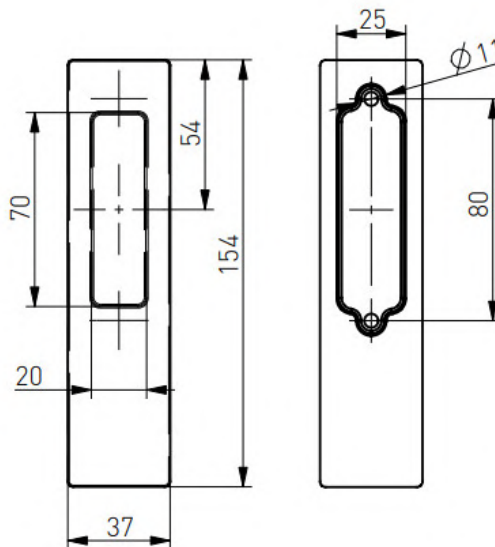
Product code	Faceplate width	Finish	Colour	Packaging unit
128HSD9005M	34mm	coated	9005 Black	1
128HSD9016M	34mm	coated	9016 White (Matt)	1
128HSDF1BD	34mm	brushed - anodised	F1 Silver	1
128HSDF1SD	34mm	sandblasted - anodised	F1 Silver	1
128HSDF9005BD	34mm	brushed - anodised	9005 Black	1
128HSDF9005SD	34mm	sandblasted - anodised	9005 Black	1



Catalogue not up to date?
Scan the QR or [click here](#)
to view the latest version

[Click to jump back to top](#)

Medos Dublin Range HS Recessed Pull Handle



Product code	Faceplate width	Finish	Colour
129PHS9005M	37mm	coated	9005 Black (Matt)
129PHS9016M	37mm	coated	9016 White (Matt)
129PHSF1BD	37mm	brushed - anodised	F1 Silver
129PHSF1SD	37mm	sandblasted - anodised	F1 Silver
129PHSF9005BD	37mm	brushed - anodised	9005 Black
129PHSF9005SD	37mm	sandblasted - anodised	9005 Black



Catalogue not up to date?
Scan the QR or [click here](#)
to view the latest version

[Click to jump back to top](#)

Medos Dublin External HS Lift & Slide



Product code	Faceplate width	Finish	Colour	Packaging unit
128HSDF9005BDZ	34mm	brushed - anodised	9005	1
128HSDF9005SDZ	34mm	sandblasted - anodised	9005	1
128HSD9005MZ	34mm	Coated	9005	1
128HSD9016MZ	34mm	Coated	9016	1
128HSDF1BDZ	34mm	brushed - anodised	F1 Silver	1
128HSDF1SDZ	34mm	sandblasted - anodised	F1 Silver	1
128HSDSILVZ	34mm	Coated	Silver	1



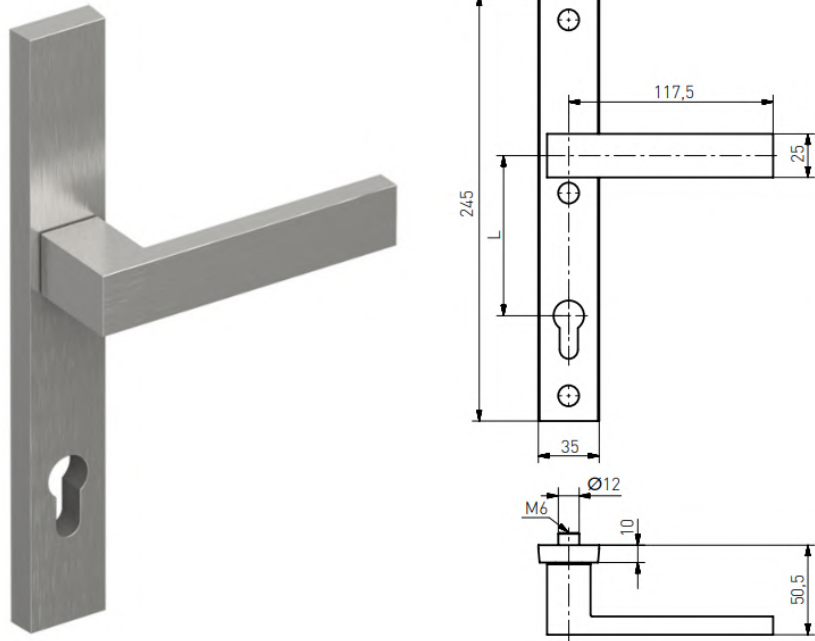
Catalogue not up to date?
Scan the QR or [click here](#)
to view the latest version

[Click to jump back to top](#)

Medos Dublin Range Entrance Handle Set

Supplied with internal and external handle. Fixings and spindle included. Option for 35mm or 50mm faceplate widths.

35mm wide faceplate version shown.



Product code	Faceplate Width	PZ Distance	Spindle	Finish	Colour	Packaging unit
10DUB392F1BTWS	35mm	92mm	8 x 128mm	brushed - anodised	F1 silver	1 set
10DUB392F6BTWS	35mm	92mm	8 x 128mm	brushed - anodised	stainless	1 set
10DUB392F9005BTWS	35mm	92mm	8 x 128mm	brushed - anodised	9005 black	1 set
10DUB50392F1BTWS	50mm	92mm	8 x 128mm	brushed - anodised	F1 silver	1 set
10DUB50392F6BTWS	50mm	92mm	8 x 128mm	brushed - anodised	F6 stainless	1 set
10DUB50392F9005BTWS	50mm	92mm	8 x 128mm	brushed - anodised	9005 black	1 set

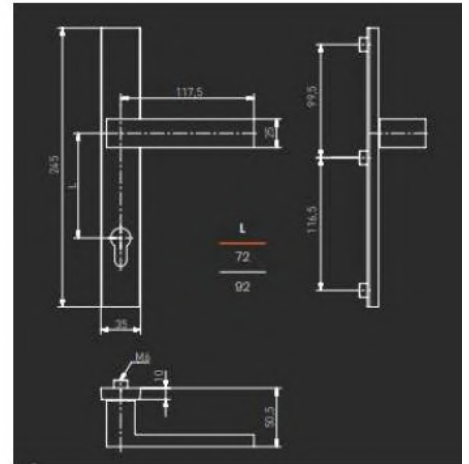
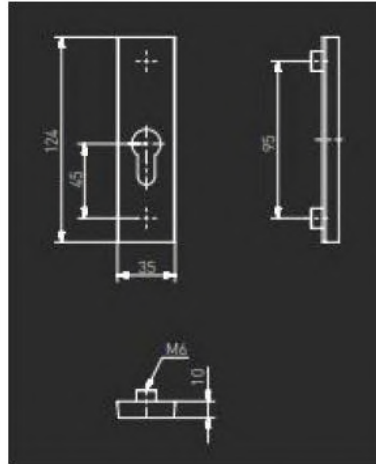


Catalogue not up to date?
Scan the QR or [click here](#)
to view the latest version

[Click to jump back to top](#)

Medos Dublin Range Entrance Hand and Rosette Set

Mounting screws and spindle supplied, faceplate width 35mm or 50mm.



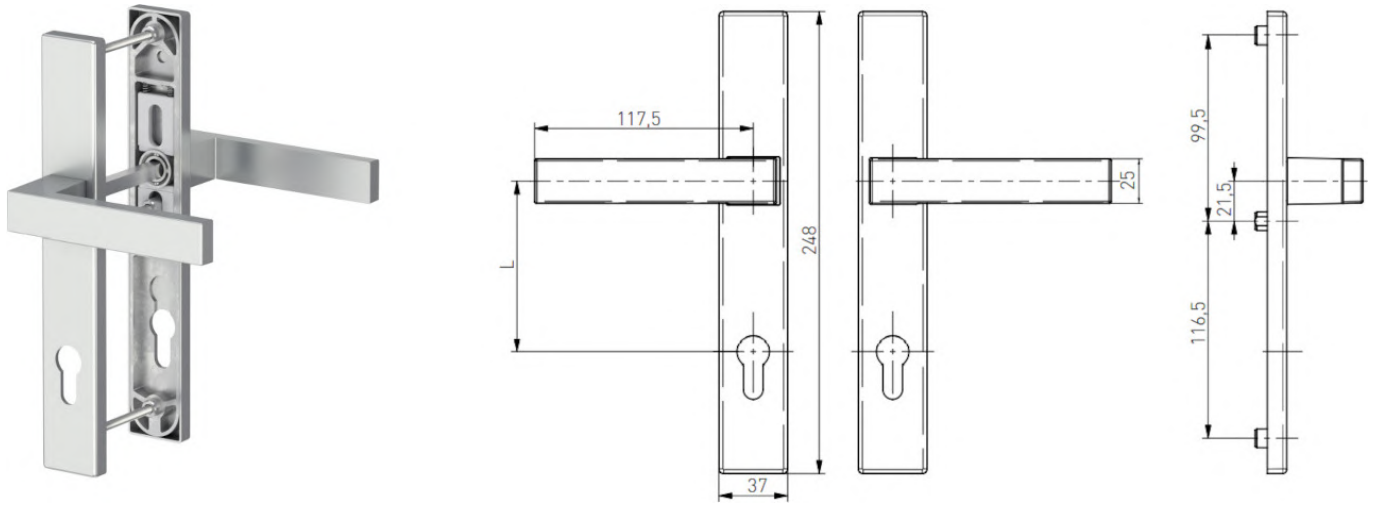
Product code	Faceplate Width	PZ Distance	Spindle	Finish	Colour	Packaging unit
40DUB292F9005BTWS	35mm	92mm	8 x 128mm	brushed - anodised	9005 black	1 set
40DUB292F1BTWS	35mm	92mm	8 x 128mm	brushed - anodised	F1 silver	1 set
40DUB292F6BTWS	35mm	92mm	8 x 128mm	8 x 128mm	F6 stainless	1 set
40DUB50292F1BTWS	50mm	92mm	8 x 128mm	8 x 128mm	F1 silver	1 set
40DUB50292F6BTWS	50mm	92mm	8 x 128mm	8 x 128mm	F6 stainless	1 set
40DUB50292F9005BTWS	50mm	92mm	8 x 128mm	8 x 128mm	9005 black	1 set



Catalogue not up to date?
Scan the QR or [click here](#)
to view the latest version

[Click to jump back to top](#)

Medos Dublin Range 37 Door Handle Set



Product code	Faceplate width	PZ Distance	Finish	Colour	Packaging unit
172F13792BD	37mm	92mm	brushed - anodised	F1 Silver	1 set
172F90053792BD	37mm	92mm	brushed - anodised	9005 Black	1 set
172F90053792SD	37mm	92mm	sandblasted - anodised	9005 Black	1 set
1729005M3792	37mm	92mm	coated	9005 Black	1 set
1729016M3792	37mm	92mm	coated	9016 White	1 set
172F13792SD	37mm	92mm	sandblasted - anodised	F1 Silver	1 set
172F63792BD	37mm	92mm	brushed - anodised	F6 Silver	1 set



Catalogue not up to date?
Scan the QR or [click here](#)
to view the latest version

[Click to jump back to top](#)

Medos Door Handle Set

Medos door handle set for aluminium systems.



Product code	Description	Faceplate Width	Finish	Colour	Packaging unit
119DF1SD	Door handle set	30mm	sandblasted - anodised	F1 Silver	1 set

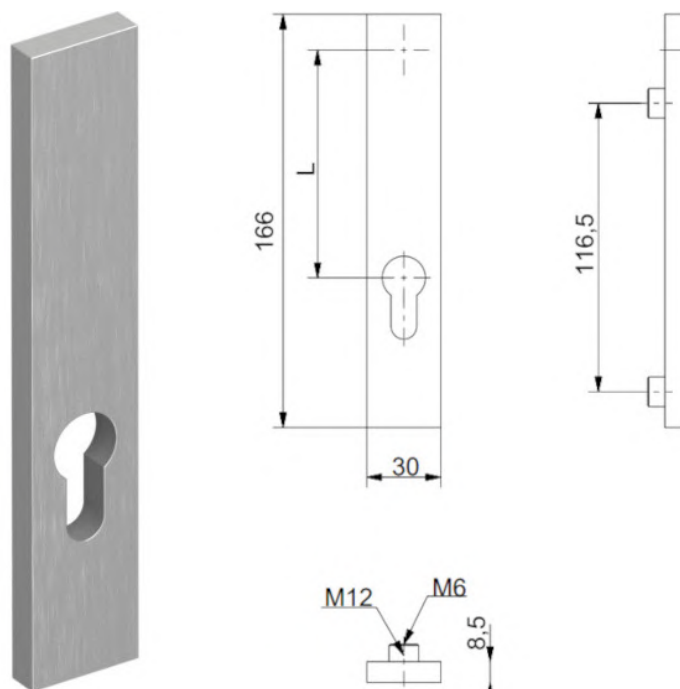


Catalogue not up to date?
Scan the QR or [click here](#)
to view the latest version

[Click to jump back to top](#)

Medos Riga Door Rosette

Door rosette set. Comes with internal and external rosettes with fixing screws.



Product code	Description	Length	Width	Finish	Colour	Packaging unit
70R292F1B	Door rosette set	167mm	30mm	brushed - anodised	F1 silver	1 set
70R292F6BWS	Door rosette set	167mm	30mm	brushed - anodised	F6 INOX	1 set
70R292F9005BWS	Door rosette set	167mm	30mm	brushed - anodised	F9005 black	1 set



Catalogue not up to date?
Scan the QR or [click here](#)
to view the latest version

[Click to jump back to top](#)

Medos Dublin Range Additional Rosette Set

Short additional rosette set



Product code	Description	Length	Width	Finish	Colour	Packaging unit
30DUB2F9005B95WS	Door rosette set	122mm	30mm	brushed - anodised	F1 silver	1 set
30DUB2F1B95WS	Door rosette set	122mm	30mm	brushed - anodised	F6 silver	1 set
30DUB2F6B95WS	Door rosette set	122mm	30mm	brushed - anodised	F9005 black	1 set

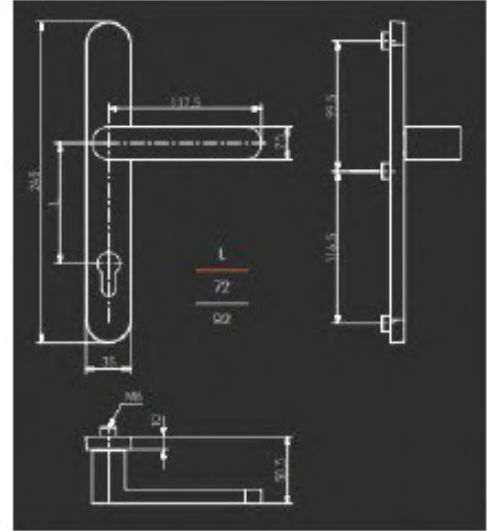


Catalogue not up to date?
Scan the QR or [click here](#)
to view the latest version

[Click to jump back to top](#)

Medos Brussels Range Entrance Handle Set

Mounting screws and spindle supplied, faceplate width 35mm.



Product code	Faceplate Width	PZ Distance	Spindle	Finish	Colour	Packaging unit
10BRU392F6BTWS	35mm	92mm	8 x 128mm	brushed - anodised	F6 Stainless	
10BRU392F9005BTWS	35mm	92mm	8 x 128mm	brushed - anodised	9005 black	
10BRU392F1BTWS	35mm	92mm	8 x 128mm	brushed - anodised	F1 Silver	1 set

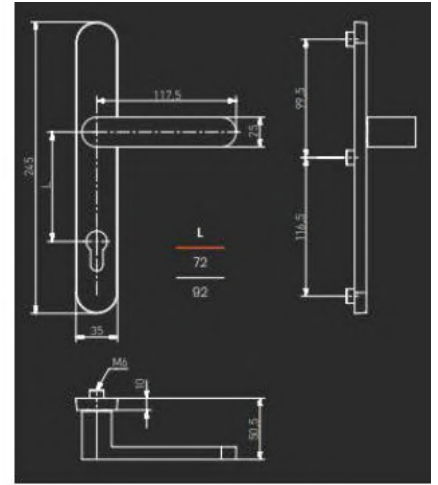
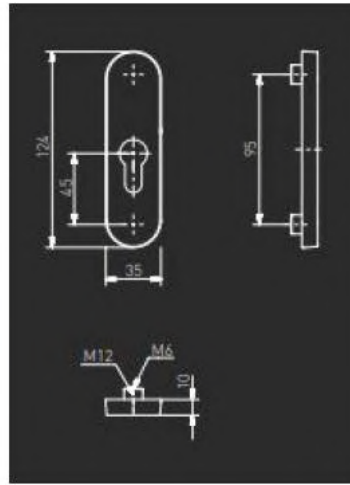


Catalogue not up to date?
Scan the QR or [click here](#)
to view the latest version

[Click to jump back to top](#)

Medos Brussels Range Entrance Handle and Rosette Set

Mounting screws and spindle supplied, faceplate width 35mm.



Product code	Faceplate Width	PZ Distance	Spindle	Finish	Colour	Packaging unit
40BRU292F9005BTWS	35mm	92mm	8 x 128mm	brushed - anodised	9005 black	1 set
40BRU292F1BTWS	35mm	92mm	8 x 128mm	brushed - anodised	F1 Silver	1 set
40BRU292F6BTWS	35mm	92mm	8 x 128mm	brushed - anodised	F6 Stainless	1 set
40BRU292F4BTWS	35mm	92mm	8 x 128mm	brushed - anodised	F4 Bronze	1 set

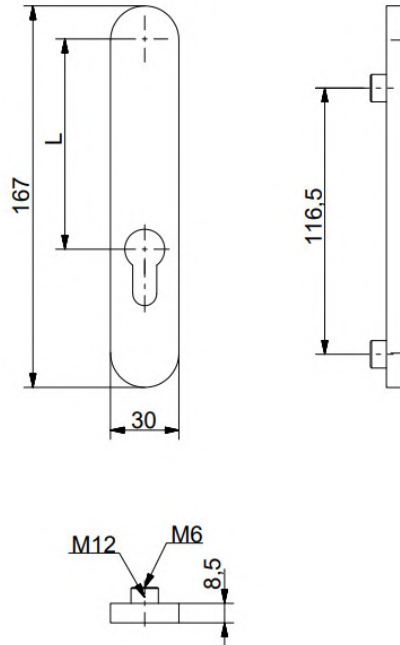
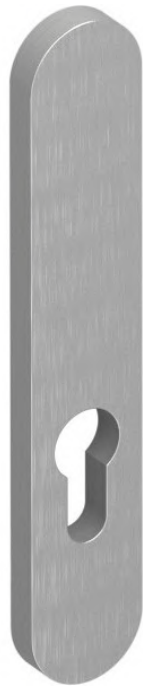


Catalogue not up to date?
Scan the QR or [click here](#)
to view the latest version

[Click to jump back to top](#)

Medos Sofia Door Rosette

Door rosette set. Comes with internal and external rosettes with fixing screws.



Product code	Description	Length	Width	Finish	Colour	Packaging unit
50S292F1B	Door rosette set	167mm	30mm	brushed - anodised	F1 silver	1 Set
50S292F6BWS	Door rosette set	167mm	30mm	brushed - anodised	F6 INOX	1 Set
50S292F9005BWS	Door rosette set	167mm	30mm	brushed - anodised	F9005 black	1 Set



Catalogue not up to date?
Scan the QR or [click here](#)
to view the latest version

[Click to jump back to top](#)

Medos Brussels Range Rosette

Short additional rosette set



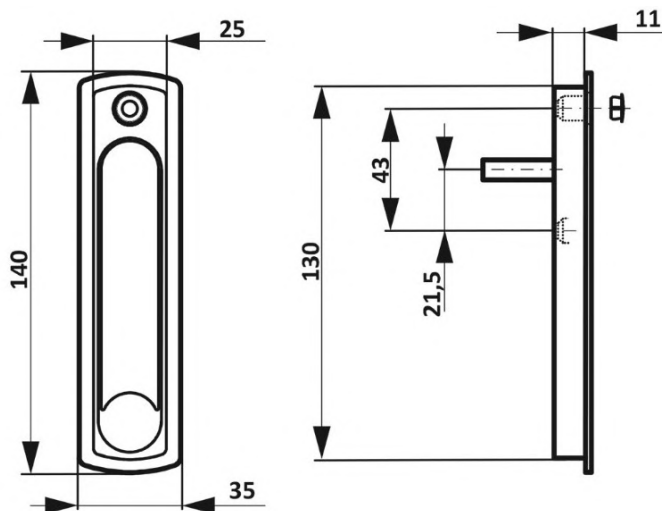
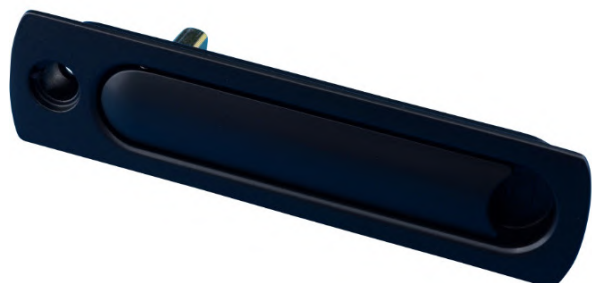
Product code	Description	Length	Width	Finish	Colour	Packaging unit
30BRU2F9005B95WS	Door rosette set	122mm	30mm	brushed - anodised	F9005 black	1 Set
30BRUF1B95WS	Door rosette set	122mm	30mm	brushed - anodised	F1 silver	1 Set
30BRU2F695WS	Door rosette set	122mm	30mm	brushed - anodised	F6 silver	1 Set



Catalogue not up to date?
Scan the QR or [click here](#)
to view the latest version

[Click to jump back to top](#)

Siegenia Concealed Sliding Handle



Product code	Description	Spindle	Finish	Colour	Packaging unit
PHID0030-001060	Flush sliding handle	25mm	coated	cream	25
PHID0030-025020	Flush sliding handle	25mm	anodised	silver	25
PHID0030-023010	Flush sliding handle	25mm	coated	black	25
PHID0090-004010	Flush sliding handle	23mm	coated	white	25
PHID0090-023060	Flush sliding handle	23mm	coated	black	25
PHID0090-025010	Flush sliding handle	23mm	coated	silver	25

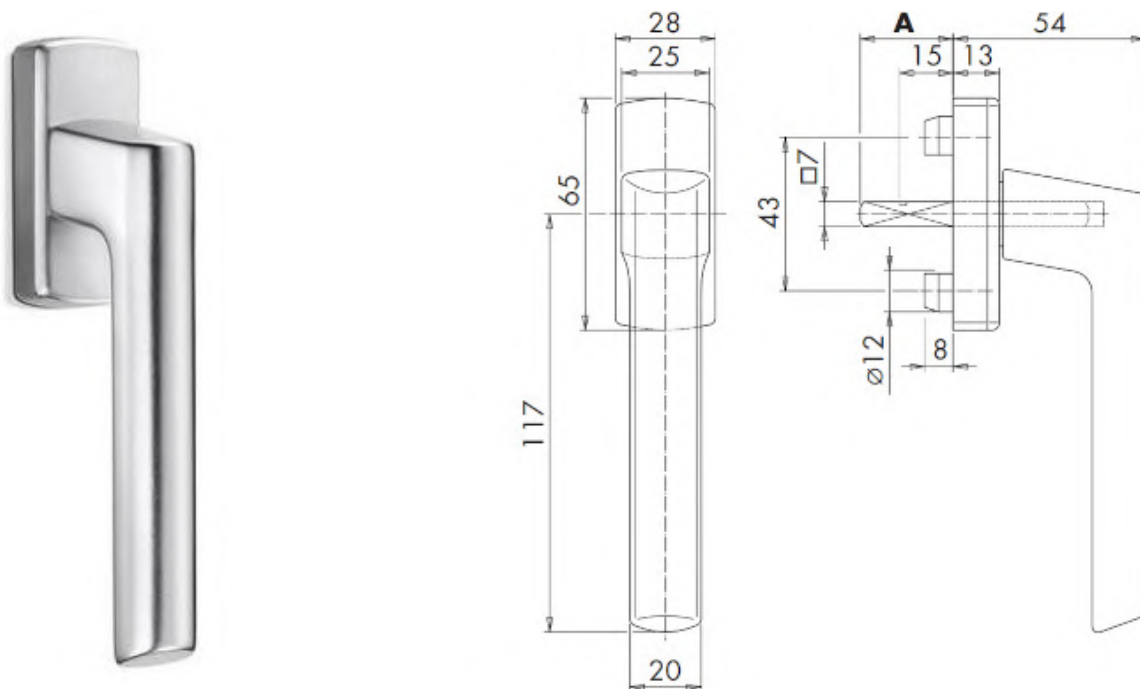


Catalogue not up to date?
Scan the QR or [click here](#)
to view the latest version

[Click to jump back to top](#)

Si-Line Tilt & Turn Handle

43mm screw centres (screws not included).



Product code	Faceplate width	Spindle	Finish	Colour	Packaging unit
853818	35mm	7 x 35mm	coated	cream	100
853856	35mm	7 x 35mm	coated	white	100
869055	35mm	7 x 35mm	anodised	silver	100
895986	35mm	7 x 35mm	coated	black/brown	100

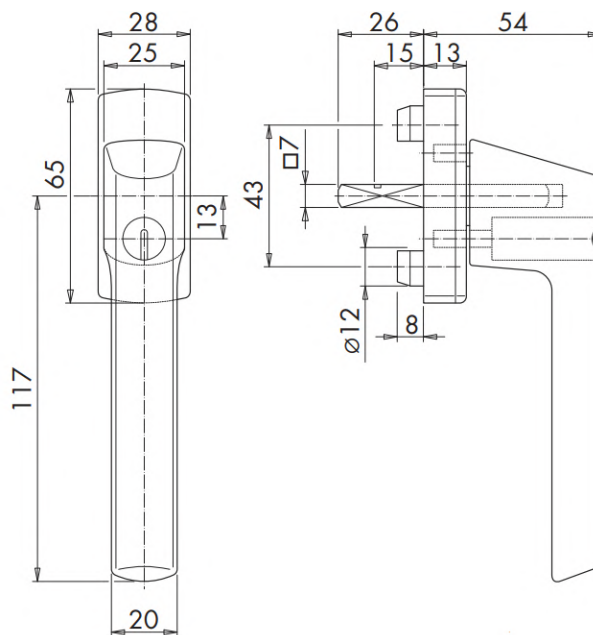


Catalogue not up to date?
Scan the QR or [click here](#)
to view the latest version

[Click to jump back to top](#)

Si-Line Tilt & Turn Lockable Handle

43mm screw centres, and one key included (screws not included).



Product code	Description	Spindle	Finish	Colour	Packaging unit
862575	Handle Si-Line tilt & turn lock	7 x 35mm	coated	white	10
880647	Handle Si-Line tilt & turn lock	7 x 35mm	anodised	silver	10

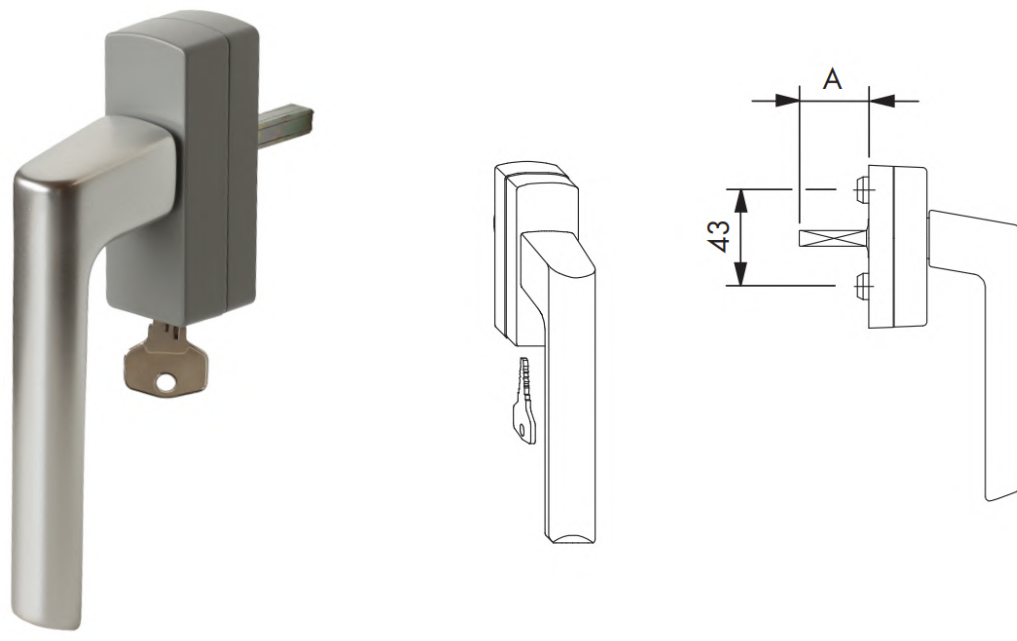


Catalogue not up to date?
Scan the QR or [click here](#)
to view the latest version

[Click to jump back to top](#)

Si-Line Tilt Before Turn Lockable Handle

43mm screw centres, and one key included (screws not included).



Product code	Description	Spindle	Finish	Colour	Packaging unit
873724	Handle Si-Line tilt before turn lock	7 x 35mm	coated	white	10
880272	Handle Si-Line tilt before turn lock	7 x 35mm	anodised	silver	10

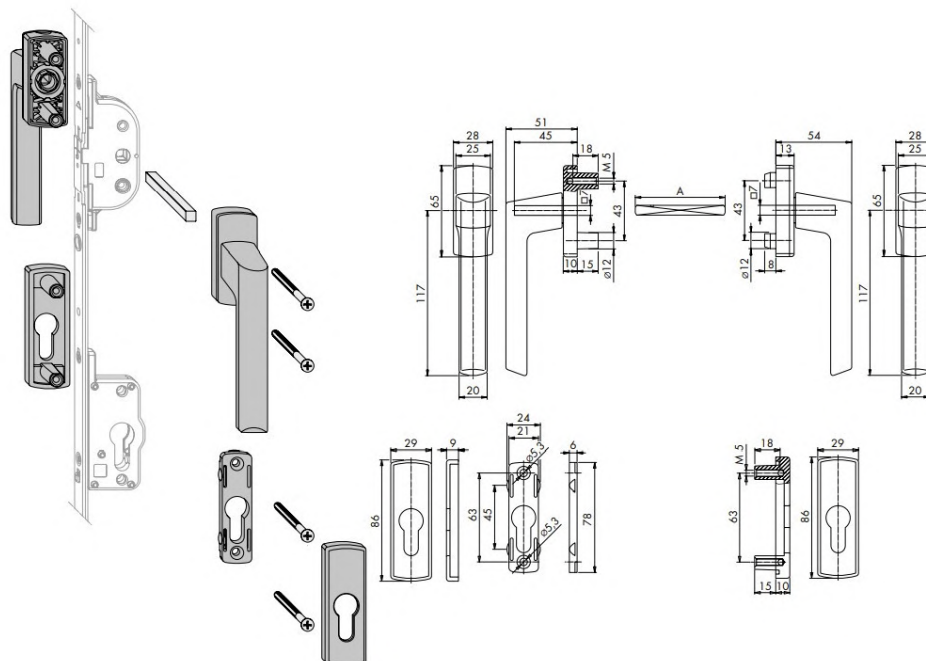


Catalogue not up to date?
Scan the QR or [click here](#)
to view the latest version

[Click to jump back to top](#)

Si-Line Balcony Set

Spindle kit to be purchased separately.



Product code	Description	Finish	Colour	Packaging unit
871379	Handle Si-Line balcony set	anodised	silver	10
871423	Handle Si-Line balcony set	coated	white	10
ZMZP0010-100010	Spindle kit for 75-84mm profile	-	-	1
ZMZP0020-100010	Spindle kit for 65-74mm profile	-	-	1

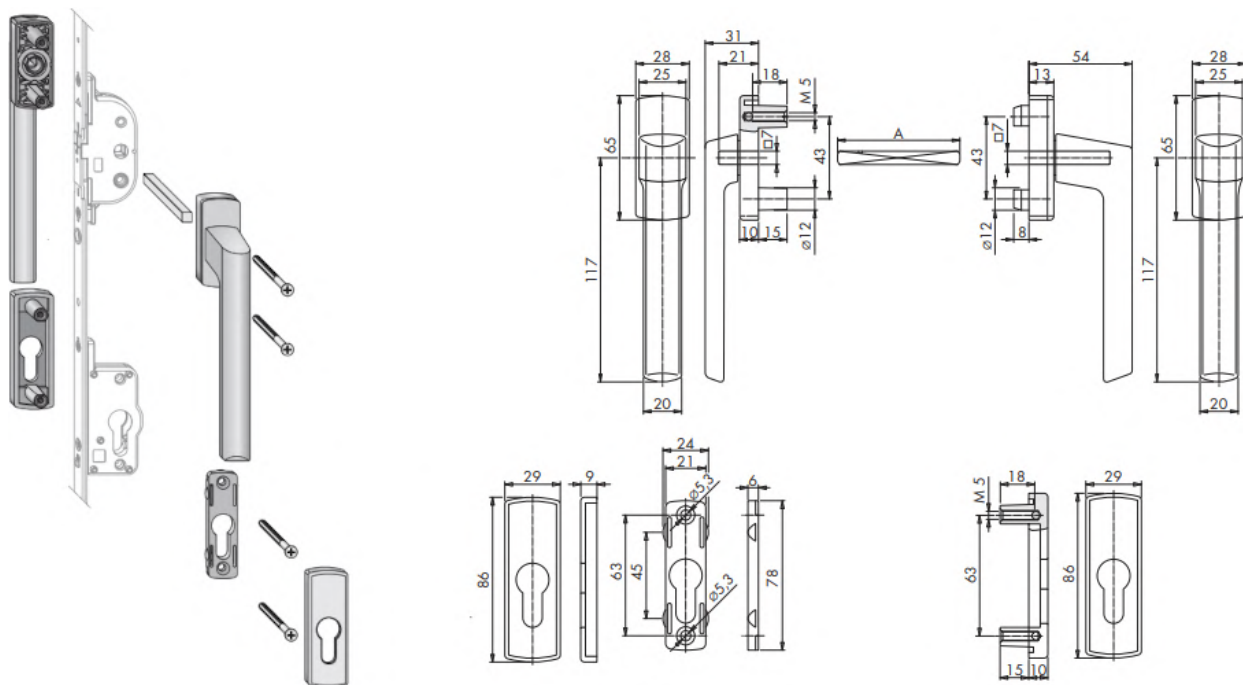


Catalogue not up to date?
Scan the QR or [click here](#)
to view the latest version

[Click to jump back to top](#)

Si-Line PSK Balcony Set

Coated and anodised finishes, and 43mm screw centres (spindle and screw pack to be purchased separately).



Product code	Description	Finish	Colour	Packaging unit
262191	Tilt & slide balcony set	anodised	silver	1
262214	Tilt & slide balcony set	coated	white	1
306819	Tilt & slide balcony set	coated	black/brown	1
ZMZP0010-100010	Spindle kit for 75-84mm profile (includes screws)	-	-	1
ZMZP0020-100010	Spindle kit for 65-74mm profile (includes screws)	-	-	1



Catalogue not up to date?
Scan the QR or [click here](#)
to view the latest version

[Click to jump back to top](#)

Si-Line Entrance Handle Set

Inner and outer handle supplied as set. 92mm PZ distance with screws included.



Product code	Description	Spindle	Faceplate size	Finish	Colour	Packaging unit
DHGT0010-0K5010	Si-Line entrance handle	8mm	26mm	coated	white	1
DHGT0010-023010	Si-Line entrance handle	8mm	26mm	coated	black	1
DHGT0010-0K7010	Si-Line entrance handle	8mm	26mm	coated	silver	1
0424157	Spindle	8mm	-	-	-	1

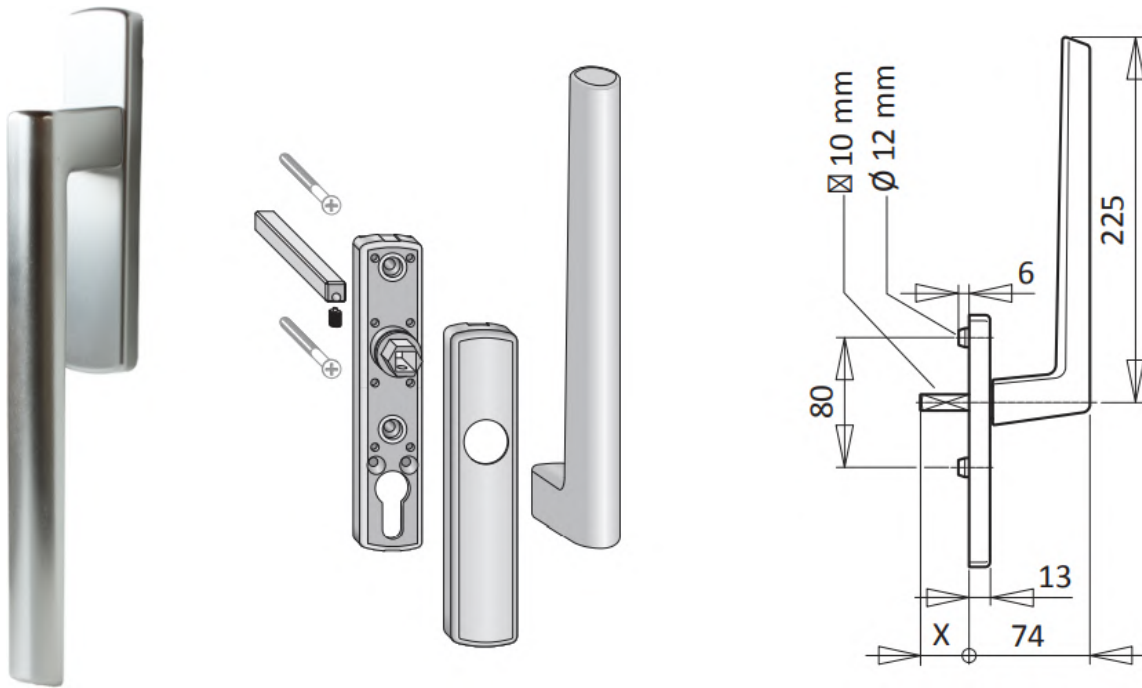


Catalogue not up to date?
Scan the QR or [click here](#)
to view the latest version

[Click to jump back to top](#)

Si-Line Internal Lift & Slide Handle without PZ

Internal handle without PZ key cutout, spindle included.



Product code	Description	Finish	Colour	Packaging unit
PMHB0030-502010	Handle Si-Line internal	coated	white	1
PMHB0030-524011	Handle Si-Line internal	anodised	silver	1
PMHB0030-512012	Handle Si-Line internal	coated	black/brown	1
PMHB0030-523010	Handle Si-Line internal	coated	black	1

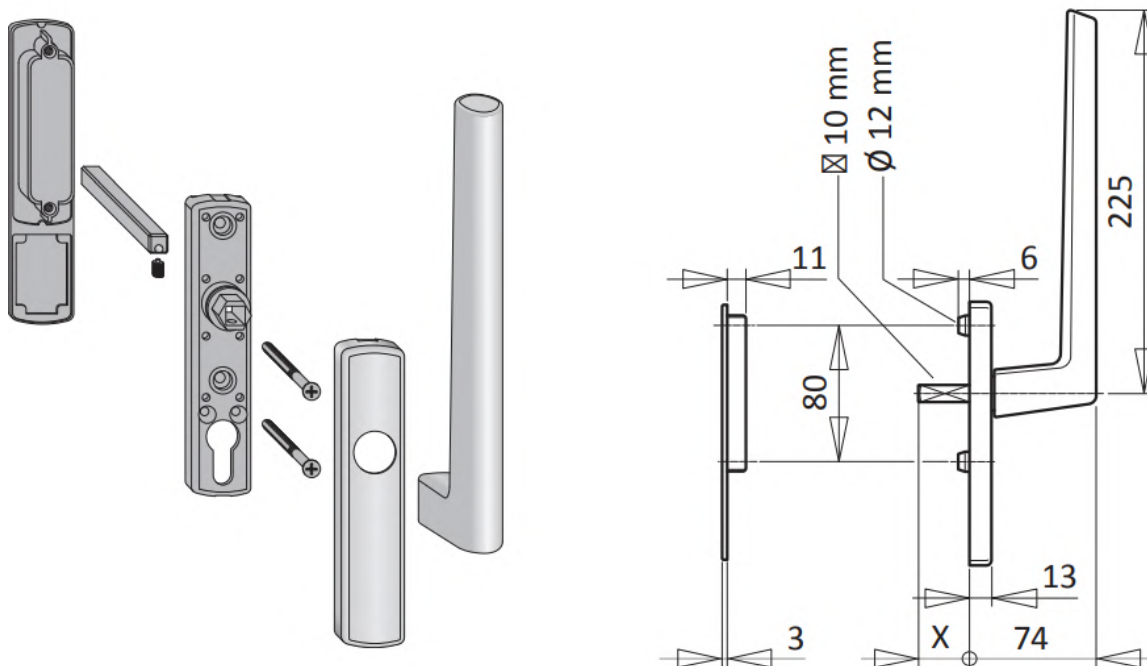


Catalogue not up to date?
Scan the QR or [click here](#)
to view the latest version

[Click to jump back to top](#)

Si-Line Lift & Slide Handle Set without PZ

Internal handle without PZ key cutout, external recessed pull handle, spindle included.



Product code	Description	Finish	Colour	Packaging unit
PMHB0010-502010	Handle Si-Line internal with flush pull	coated	white	1
PMHB0010-512010	Handle Si-Line internal with flush pull	coated	black/brown	1
PMHB0010-525010	Handle Si-Line internal with flush pull	coated	silver	1
PMHB0010-524011	Handle Si-Line internal with flush pull	anodised	silver	1
PMHB0010-523010	Handle Si-Line internal with flush pull	coated	black	1

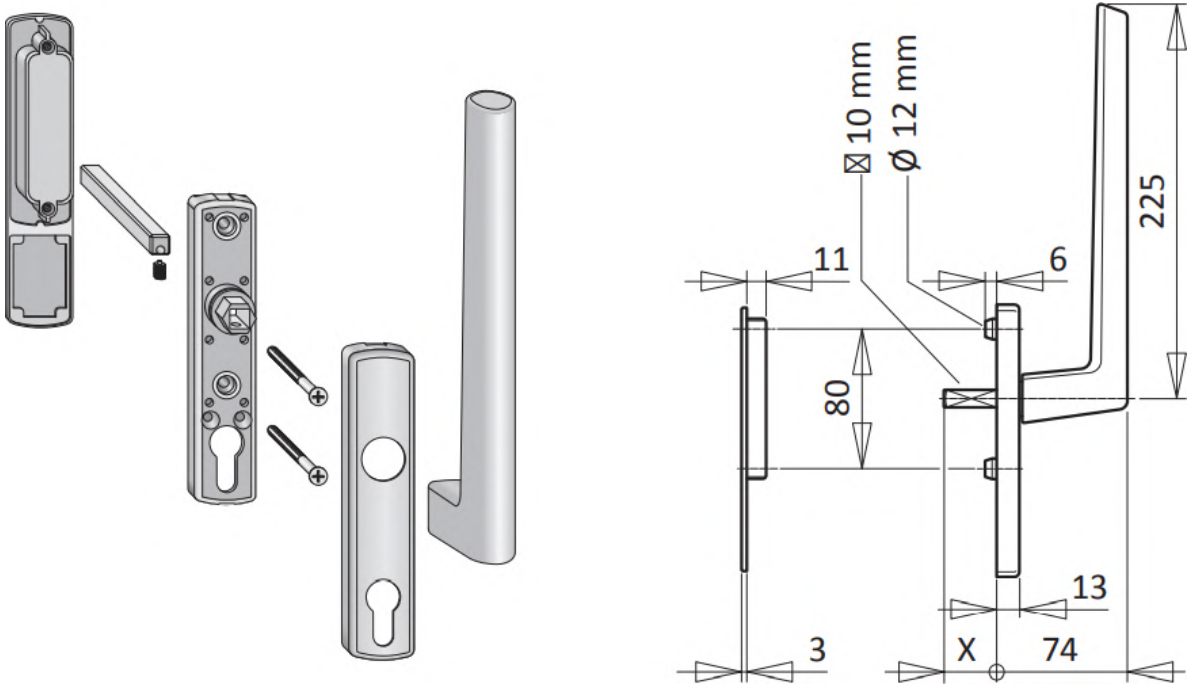


Catalogue not up to date?
Scan the QR or [click here](#)
to view the latest version

[Click to jump back to top](#)

Si-Line Lift & Slide Handle Set with PZ

Internal handle with PZ key cutout, external recessed pull handle. Includes spindle.



Product code	Description	Finish	Colour	Packaging unit
PMHB0020-502010	Handle Si-Line internal with flush pull	coated	white	1
PMHB0020-512010	Handle Si-Line internal with flush pull	coated	black/brown	1
PMHB0020-525011	Handle Si-Line internal with flush pull	coated	silver	1
PMHB0020-524011	Handle Si-Line internal with flush pull	anodised	silver	1
PMHB0020-523010	Handle Si-Line internal with flush pull	coated	black	1



Catalogue not up to date?
Scan the QR or [click here](#)
to view the latest version

[Click to jump back to top](#)

Si-Line External Lift & Slide Handle with PZ

External handle with PZ key cutout, no spindle included.



Product code	Description	Finish	Colour	Packaging unit
PMHB0040-502010	Handle Si-Line external	coated	white	1
PMHB0040-512012	Handle Si-Line external	coated	black/brown	1
PMHB0040-525011	Handle Si-Line external	coated	silver	1
PMHB0040-524011	Handle Si-Line external	anodised	silver	1
PMHB0040-523012	Handle Si-Line external	coated	black	1



Catalogue not up to date?
Scan the QR or [click here](#)
to view the latest version

[Click to jump back to top](#)

Si-Line Internal Lift & Slide Handle with PZ

Internal handle with PZ key cutout, short and long spindle included.



Product code	Description	Finish	Colour	Packaging unit
PMHB0050-502010	Handle Si-Line internal	coated	white	1
PMHB0050-512012	Handle Si-Line internal	coated	black/brown	1
PMHB0050-525010	Handle Si-Line internal	coated	silver	1
PMHB0050-524011	Handle Si-Line internal	anodised	silver	1
PMHB0050-523012	Handle Si-Line internal	coated	black	1

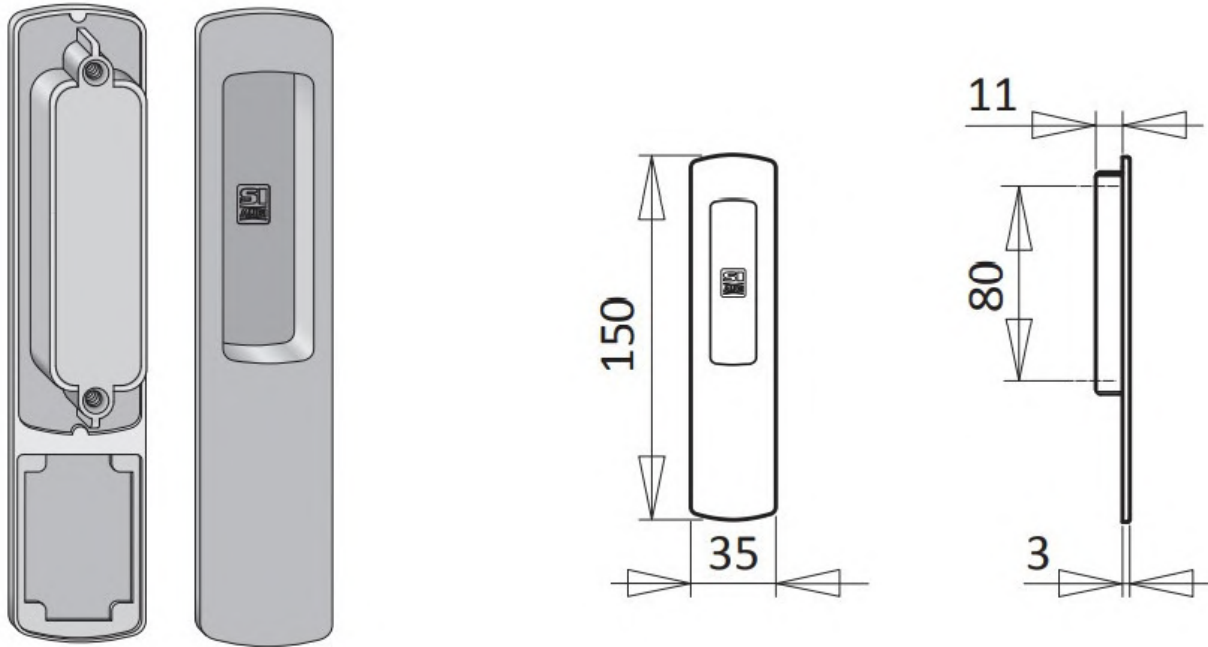


Catalogue not up to date?
Scan the QR or [click here](#)
to view the latest version

[Click to jump back to top](#)

Si-Line Sliding Grip Long

Sliding grip to be used in conjunction with Si-Line Handle HS 300 only.



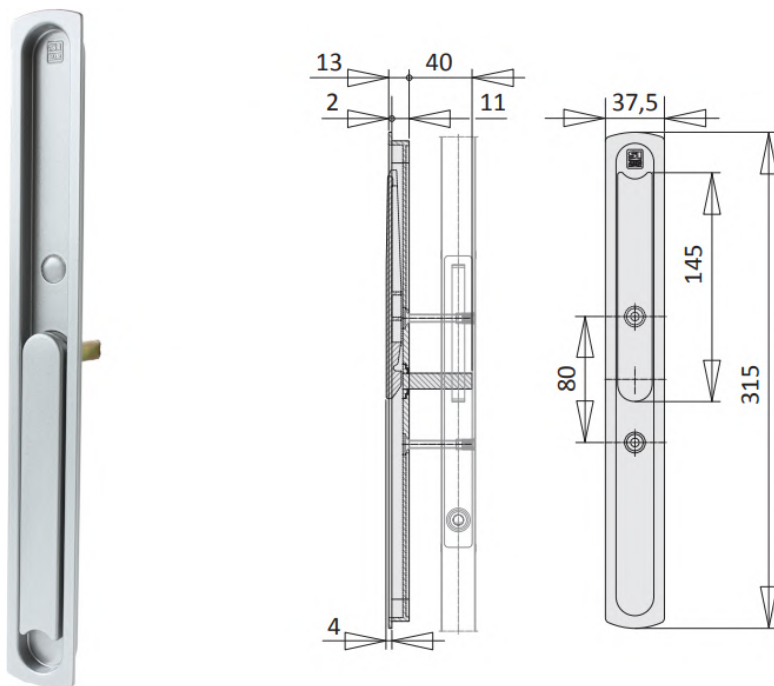
Product code	Description	Finish	Colour	Packaging unit
PSMB0020-L23010	Sliding Grip - Long	coated	9005 Black	1
PSMB0020-512010	Sliding Grip - Long	coated	RAL 8022 Black/Brown	1
PSMB0020-502010	Sliding Grip - Long	coated	RAL 9003 White	1
PSMB1020-524010	Sliding Grip - Long	anodised	EV1 Silver	1



Catalogue not up to date?
Scan the QR or [click here](#)
to view the latest version

[Click to jump back to top](#)

Siegenia Portal Flush Pull Handle



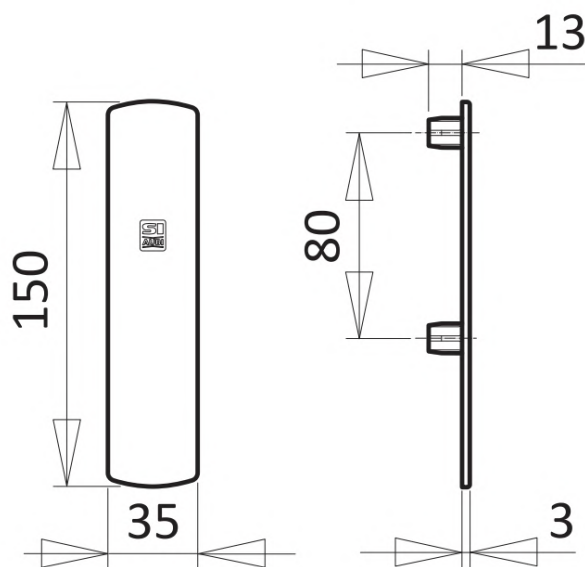
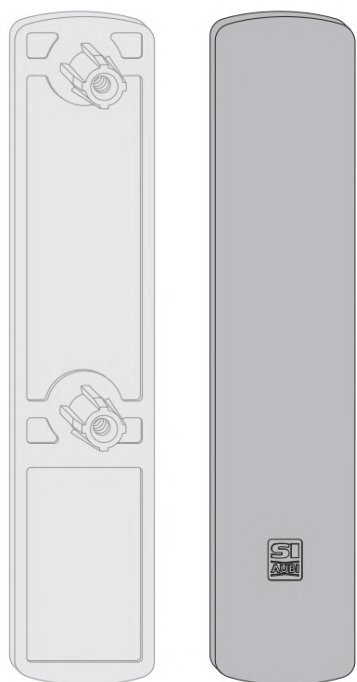
Product code	Description	Finish	Colour	Packaging unit
PHIB0050-012010	Handle flush pull internal	coated	black	1
PHIB0050-025010	Handle flush pull internal	anodised	silver	1
PHIB0050-004010	Handle flush pull internal	coated	white	1



Catalogue not up to date?
Scan the QR or [click here](#)
to view the latest version

[Click to jump back to top](#)

Lift & Slide Cover Plate



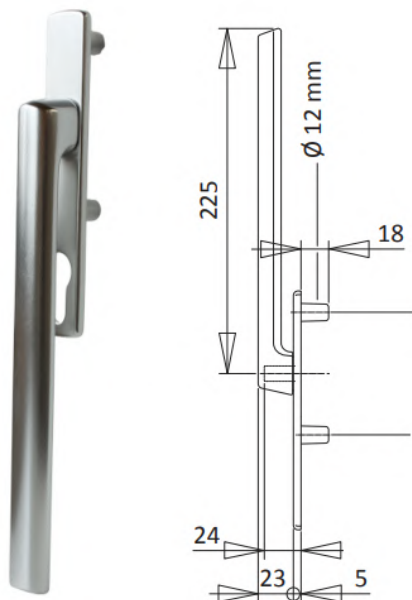
Product code	Description	Finish	Colour	Packaging unit
PHZB0030-502010	Si-Line Lift Slide Cover Plate	Coated	RAL 9003	1
PHZB0030-512010	Si-Line Lift Slide Cover Plate	Coated	RAL 8022	1
PHZB0030-525010	Si-Line Lift Slide Cover Plate	Coated	Silver	1



Catalogue not up to date?
Scan the QR or [click here](#)
to view the latest version

[Click to jump back to top](#)

Siegenia PSK 200 Flat Handle EXTERNAL ONLY



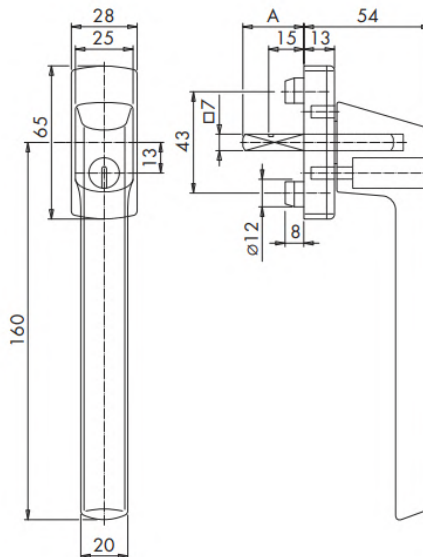
Product code	Description	Finish	Colour	Packaging unit
PHAL0010-512010	PSK 200 Flat Handle (EXTERNAL)	coated	black/brown	1
PHAL0010-523011	PSK 200 Flat Handle (EXTERNAL)	coated	black	1
PHAL0010-524010	PSK 200 Flat Handle (EXTERNAL)	anodised	silver	1
PHAL0010-502010	PSK 200 Flat Handle (EXTERNAL)	coated	white	1



Catalogue not up to date?
Scan the QR or [click here](#)
to view the latest version

[Click to jump back to top](#)

Siegenia PSK Lockable



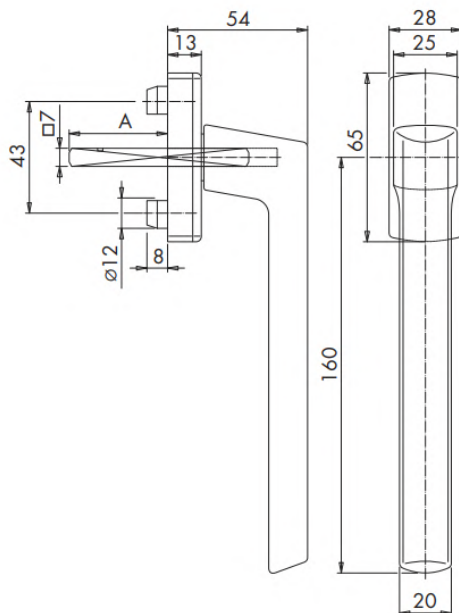
Product code	Description	Finish	Colour	Packaging unit
PHIJ0050-512010	Handle PSK	coated	black/brown	10
PHIJ0050-524010	Handle PSK	anodised	silver	10
PHIJ0050-502010	Handle PSK	coated	white	10



Catalogue not up to date?
Scan the QR or [click here](#)
to view the latest version

[Click to jump back to top](#)

Siegenia PSK 45



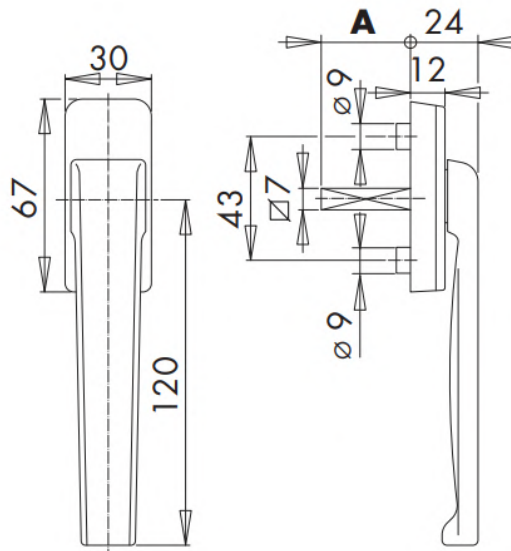
Product code	Description	Finish	Colour	Packaging unit
PHIJ0040-530010	Handle PSK 45	anodised	C33	10
PHIJ0040-524010	Handle PSK 45	anodised	silver	10
PHIJ0040-502010	Handle PSK 45	coated	white	10



Catalogue not up to date?
Scan the QR or [click here](#)
to view the latest version

[Click to jump back to top](#)

Siegenia FS Flat Handle



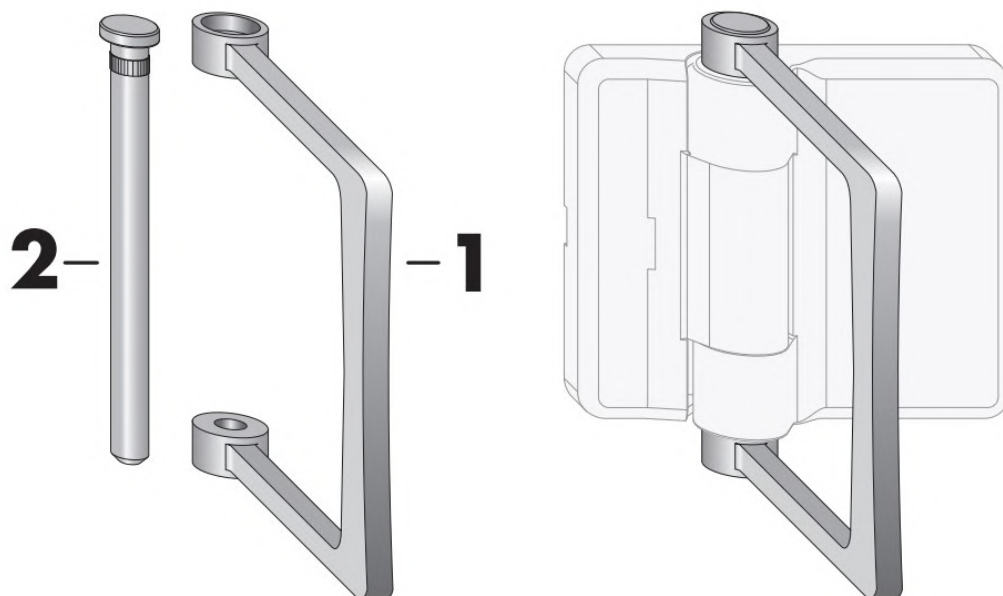
Product code	Description	Finish	Colour	Packaging unit
PHIG0010-512010	FS Flat Handle	coated	black/brown	10
PHIG0010-524010	FS Flat Handle	coated	silver	10
PHIG0010-502010	FS Flat Handle	coated	white	10



Catalogue not up to date?
Scan the QR or [click here](#)
to view the latest version

[Click to jump back to top](#)

Siegenia Portal FS Pull Handle



Product code	Description	Finish	Colour	Packaging unit
PMHG0010-025010	FS Bifold Pull Handle	coated	Silver	1
PMHG0010-004010	FS Bifold Pull Handle	coated	White	1



Catalogue not up to date?
Scan the QR or [click here](#)
to view the latest version

[Click to jump back to top](#)

Vita Outward Opening Locking Inline Handle

43mm centres, with screws and spindle supplied. Outward handle suitable for uPVC, aluminium and timber window profiles.



Product code	Description	Operation	Spindle	Finish	Colour	Packaging unit
HB117SWH740PK	HB117 outward inline handle	Locking	7 x 40mm	coated	white	10
HB117SBK740PK	HB117 outward inline handle	Locking	7 x 40mm	coated	black	10
HB117SSV740PK	HB117 outward inline handle	Locking	7 x 40mm	coated	silver	10



Catalogue not up to date?
Scan the QR or [click here](#)
to view the latest version

[Click to jump back to top](#)

Vita Outward Opening Inline Handle

43mm centres, with screws and spindle supplied. Outward handle suitable for uPVC, aluminium and timber window profiles.



Product code	Description	Operation	Spindle	Finish	Colour	Packaging unit
HB117SWH740P	HB117 outward inline handle	Non Locking	7 x 40mm	coated	white	10
HB117SBK740P	HB117 outward inline handle	Non Locking	7 x 40mm	coated	black	10
HB117SSV740P	HB117 outward inline handle	Non Locking	7 x 40mm	coated	silver	10



Catalogue not up to date?
Scan the QR or [click here](#)
to view the latest version

[Click to jump back to top](#)

Vita Outward Opening Lockable Cranked Handle

43mm centres, with screws and spindle supplied. Cranked handle suitable for uPVC, aluminium and timber window profiles. Non locking and locking handles available. Left and right available.



Product code	Description	Handing	Operation	Spindle	Finish	Colour	Packaging unit
HB118LWH740PK	HB118 outward cranked handle	Left	Locking	7 x 40mm	coated	white	10
HB118LBK740PK	HB118 outward cranked handle	Left	Locking	7 x 40mm	coated	black	10
HB118LSV740PK	HB118 outward cranked handle	Left	Locking	7 x 40mm	coated	silver	10
HB118RWH740PK	HB118 outward cranked handle	Right	Locking	7 x 40mm	coated	white	10
HB118RBK740PK	HB118 outward cranked handle	Right	Locking	7 x 40mm	coated	black	10
HB118RSV740PK	HB118 outward cranked handle	Right	Locking	7 x 40mm	coated	silver	10



Catalogue not up to date?
Scan the QR or [click here](#)
to view the latest version

[Click to jump back to top](#)

Vita Outward Opening Cranked Handle

43mm centres, with screws and spindle supplied. Cranked handle suitable for uPVC, aluminium and timber window profiles. Non locking and locking handles available. Left and right available.



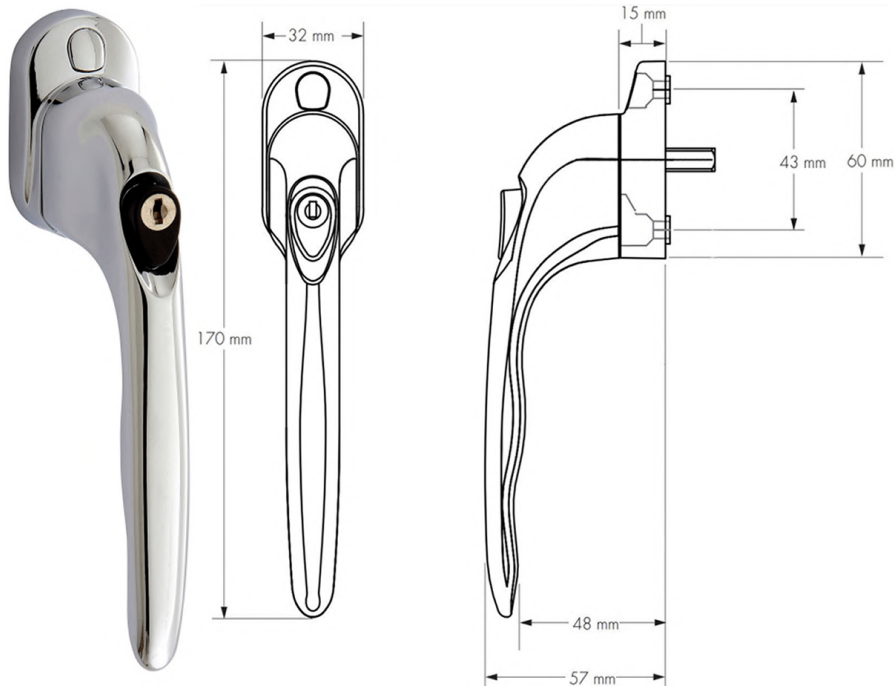
Product code	Description	Handing	Operation	Spindle	Finish	Colour	Packaging unit
HB118LBK740P	HB118 outward cranked handle	Left	Non Locking	7 x 40mm	coated	black	10
HB118LSV740P	HB118 outward cranked handle	Left	Non Locking	7 x 40mm	coated	silver	10
HB118LWH740P	HB118 outward cranked handle	Left	Non Locking	7 x 40mm	coated	white	10
HB118RSV740P	HB118 outward cranked handle	Right	Non Locking	7 x 40mm	coated	silver	10
HB118RBK740P	HB118 outward cranked handle	Right	Non Locking	7 x 40mm	coated	black	10
HB118RWH740P	HB118 outward cranked handle	Right	Non Locking	7 x 40mm	coated	white	10



Catalogue not up to date?
Scan the QR or [click here](#)
to view the latest version

[Click to jump back to top](#)

Quantum Tilt & Turn Window Handle



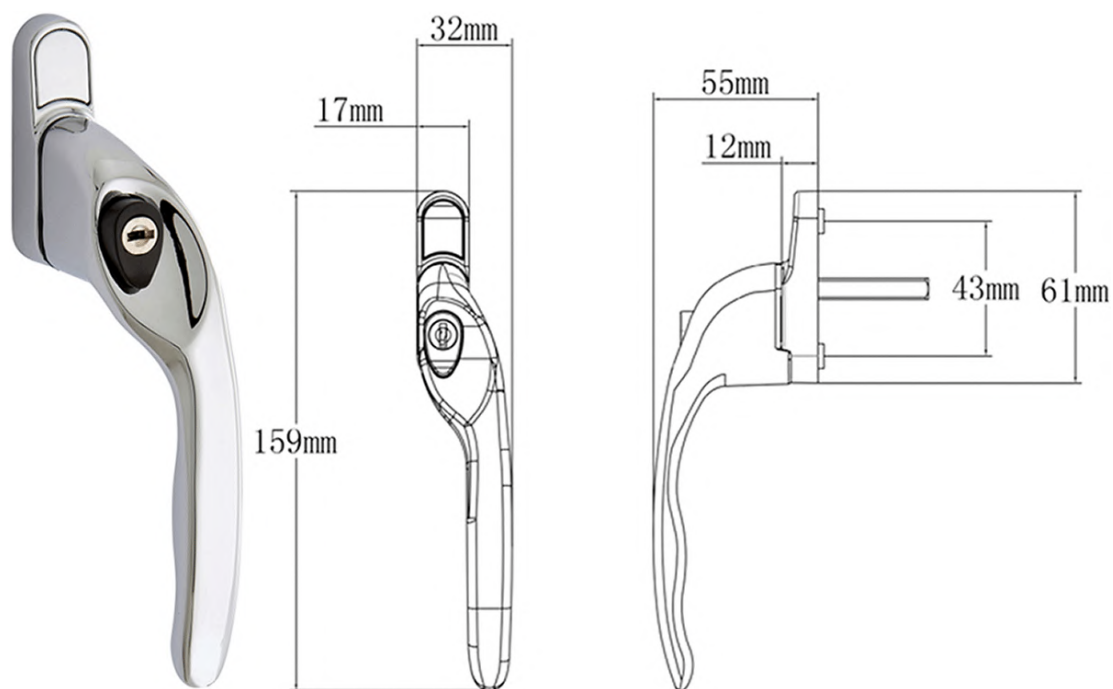
Product code	Surface	Packaging unit
CHTT40CH	Chrome	40



Catalogue not up to date?
Scan the QR or [click here](#)
to view the latest version

[Click to jump back to top](#)

Quantum Cranked Handle



Product code	Handing	Surface	Packaging unit
MK3RH-35/CH	Right Hand	Chrome	10



Catalogue not up to date?
Scan the QR or [click here](#)
to view the latest version

[Click to jump back to top](#)

Siegware Sliding D Handle

Sliding D Handle Kit with separate escutcheon for appliaton to a wide range of gears. 43mm screw centres.

Kits contain the following:

- 1 x Standard handle grip
- 1 x Slim handle grip
- 1 x Internal/external escutcheon set
- 1 x Internal faceplate with thumbturn
- 1 x External faceplate with thumbturn
- 1 x 4 piece screw kit
- 1 x Spindle for profile up to 76mm

Blank faceplates, additional escutcheons, screws and spindles available as spare parts.



Product code	Description	Finish	Colour	Packaging unit
SWDHKIT-S	Sliding D Handle Kit	anodised	F1 silver	1
SWDHKIT-W	Sliding D Handle Kit	coated	9016 white	1
SWDHKIT-B	Sliding D Handle Kit	coated	9005 black	1
SWDHSP-76	Sliding D Handle Spindle 76	raw	steel	1
SWSLESSIL	Spare Parts: Escutcheon set	anodised	F1 silver	1
SWSLESWHT	Spare Parts: Escutcheon set	coated	9016 white	1
SWSLESBLK	Spare Parts: Escutcheon set	coated	9005 black	1
SWDHSCREW-S	Spare Parts: 4 piece screw kit	anodised	F1 silver	1
SWDHSCREW-W	Spare Parts: 4 piece screw kit	coated	9016 white	1
SWDHSCREW-B	Spare Parts: 4 piece screw kit	coated	9005 black	1
SWDHSP-76	Spare Parts: Spindle for profile up to 76mm	-	-	1



Catalogue not up to date?
Scan the QR or [click here](#)
to view the latest version

[Click to jump back to top](#)

FSB 1004 Handle Range

Available on special order only, price on application.

Features concealed fixing and a variety of locking options.



Material Options	Finishes Available	Packaging unit
Aluminium - Anodised	Wide range of anodised colour options.	1
Aluminium - Coated	Wide range of coated colour options	1
Solid Brass	Lightly patinated	1
Solid Brass	Dark oxidized / Waxed	1
Stainless Steel	Satin	1
Stainless Steel	Polished	1

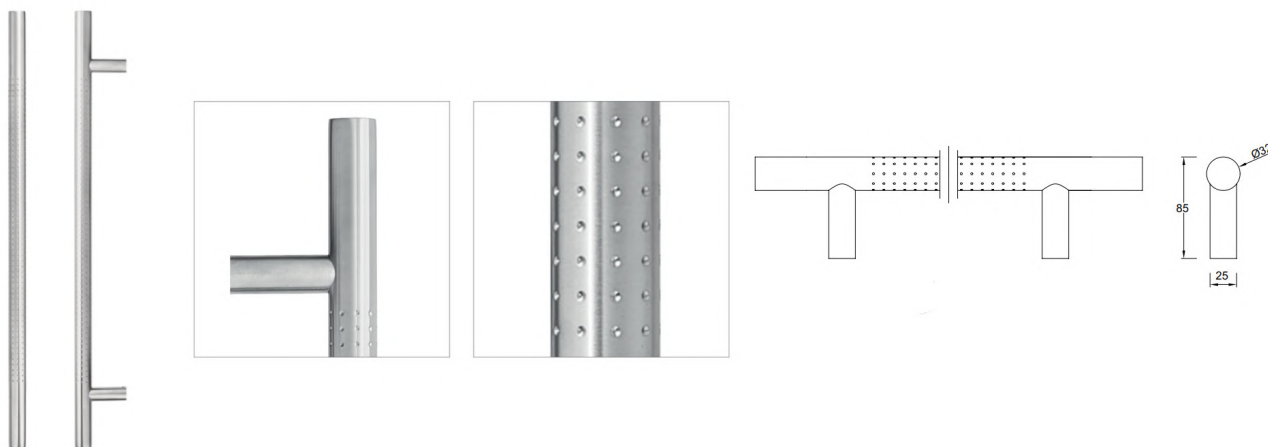


Catalogue not up to date?
Scan the QR or [click here](#)
to view the latest version

[Click to jump back to top](#)

blaugelb Round Pull Bar with Mill Dots - 90° Support

Featuring milled points and 90° straight support made of stainless steel, the door handle is suitable for a one-sided door or for mounting in pairs on doors. Consists of a stainless steel tube with a diameter of 32 mm, available in a variety of lengths.



Product code	Description	Support Angle	Bar Length	Bar Thickness	Hole Pitch	Material	Finish
424952	Round Pull Bar with mill dots	90°	800mm	32mm	600mm	stainless steel	fine matt
424954	Round Pull Bar with mill dots	90°	1200mm	32mm	1000mm	stainless steel	fine matt

*Requires T02 fixings

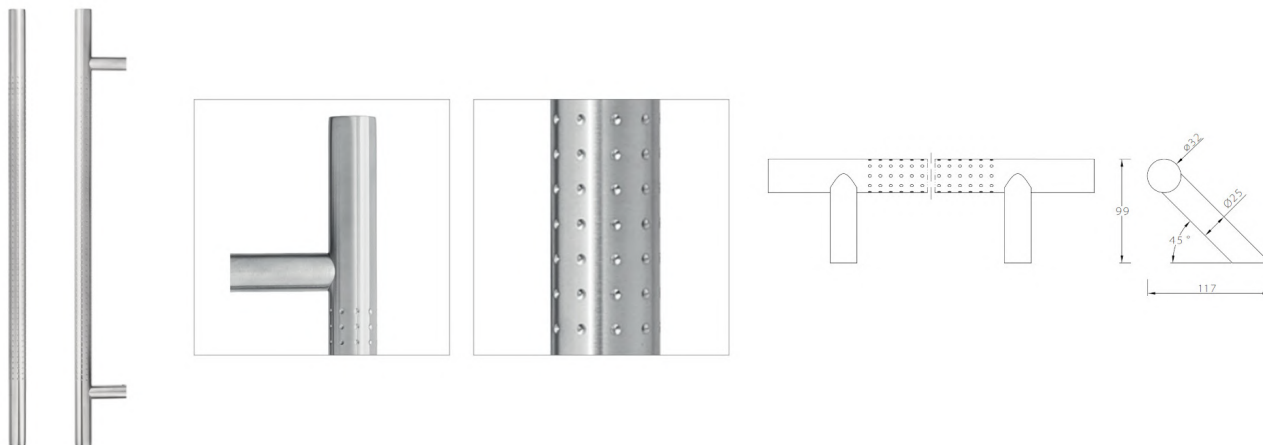


Catalogue not up to date?
Scan the QR or [click here](#)
to view the latest version

[Click to jump back to top](#)

blaugelb Round Pull Bar with Mill Dots - 45° Support

Featuring milled points and 45° straight support made of stainless steel, the door handle is suitable for a one-sided door or for mounting in pairs on doors. Consists of a stainless steel tube with a diameter of 32 mm, available in a variety of lengths.



Product code	Description	Support Angle	Bar Length	Bar Thickness	Hole Pitch	Material	Finish
424904	Round Pull Bar with mill dots	45°	800mm	32mm	600mm	stainless steel	fine matt
424940	Round Pull Bar with mill dots	45°	1200mm	32mm	1000mm	stainless steel	fine matt

*Requires T02 fixings



Catalogue not up to date?
Scan the QR or [click here](#)
to view the latest version

[Click to jump back to top](#)

blaugelb Round Stainless Steel Pullbar - 90° Support



Product code	Description	Support Angle	Bar Length	Bar Thickness	Hole Pitch	Material	Packaging unit
9052790	Round pull bar	90°	400mm	32mm	200mm	stainless steel	1
9052845	Round pull bar	90°	800mm	32mm	600mm	stainless steel	1
9052847	Round pull bar	90°	1200mm	32mm	1000mm	stainless steel	1
9052849	Round pull bar	90°	1600mm	32mm	1400mm	stainless steel	1

*Requires T01 fixings



Catalogue not up to date?
Scan the QR or [click here](#)
to view the latest version

[Click to jump back to top](#)

blaugelb Round Stainless Steel Pullbar - 45° Support



Product code	Description	Support Angle	Bar Length	Bar Thickness	Hole Pitch	Material	Packaging unit
9052853	Round pull bar	45°	400mm	32mm	200mm	stainless steel	1
9052858	Round pull bar	45°	800mm	32mm	600mm	stainless steel	1
9052860	Round pull bar	45°	1200mm	32mm	1000mm	stainless steel	1
0009052862	Round pull bar	45°	1600mm	32mm	1400mm	stainless steel	1

*Requires T01 fixings

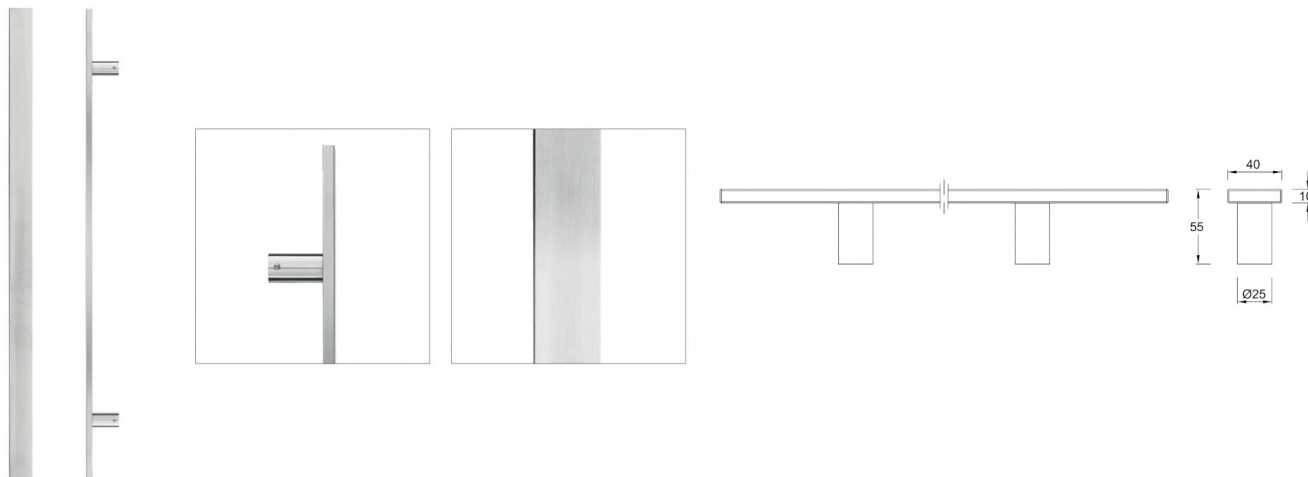


Catalogue not up to date?
Scan the QR or [click here](#)
to view the latest version

[Click to jump back to top](#)

blaugelb Flat Pull Handle - 90° Support

Stainless steel door handle with 90° straight support features a flat front view, suitable for a one-sided door or for mounting in pairs on doors.



Product code	Description	Support Angle	Bar Length	Bar Thickness	Hole Pitch	Material	Finish
424963	Flat pull bar	90°	800mm	10x40mm	600mm	stainless steel	fine matt
424965	Flat pull bar	90°	1200mm	10x40mm	1000mm	stainless steel	fine matt

*Requires T02 fixings

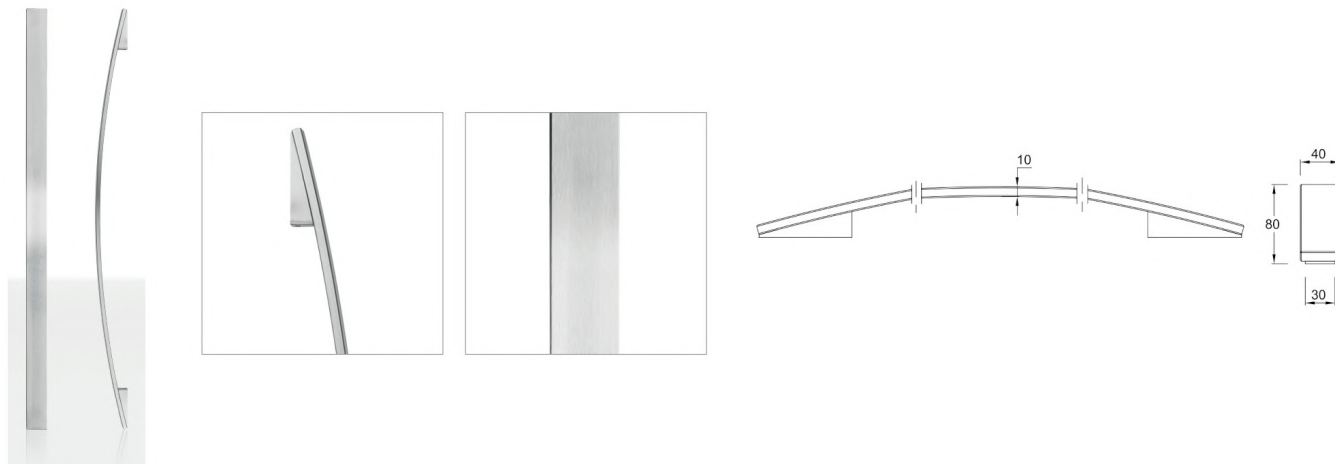


Catalogue not up to date?
Scan the QR or [click here](#)
to view the latest version

[Click to jump back to top](#)

blaugelb Curved Flat Pull Handle - 90° Support

Stainless steel curved door handle with 90° straight support features a flat front view, suitable for a one-sided door or for mounting in pairs on doors.



Product code	Description	Support Angle	Bar Length	Bar Thickness	Hole Pitch	Material	Finish
424966	Curved flat pull bar	90°	1000mm	10x40mm	840mm	stainless steel	fine matt

*Requires T02 fixings

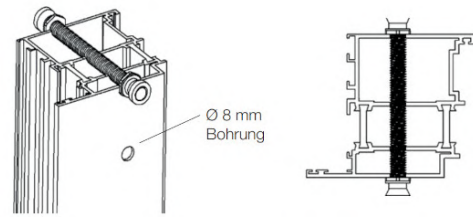


Catalogue not up to date?
Scan the QR or [click here](#)
to view the latest version

[Click to jump back to top](#)

blaugelb T01 Fixing Kits for Pull Handle

For single and double sided fixing onto timber and uPVC doors. Made from hardened galvanized steel. Easy to install hex head and self tapping screw.



Product code	Type	Suit profile thickness	Fixing of handle	Packaging unit
0009052865	T01 Fixing Kit - 10 x 35	N/A	Single Side	1
0009128305	T01 Fixing Kit - 12 x 35	N/A	Single Side	1
9052868	T01 Fixing Kit - M10 x 85mm	60-70mm	Double Side	1
09052869	T01 Fixing Kit - M10 x 105mm	80-90mm	Double Side	1
9052870	T01 Fixing Kit - M10 x 120mm	95-110mm	Double Side	1

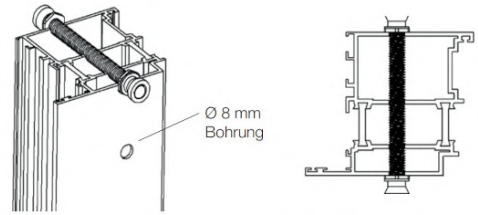
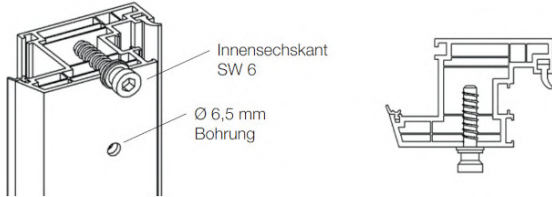


Catalogue not up to date?
Scan the QR or [click here](#)
to view the latest version

[Click to jump back to top](#)

blaugelb T02 Fixing Kits for Pull Handle

For double sided fixing applications 1 set of 428046 and 2 sets of 428045 is required for most pullbars with T02 fixing requirements.



Product code	Material	Suit profile thickness	Fixing of handle	Packaging unit
0428043	2pcs T02 6.5 x 30mm Fixing	N/A	Single Side	1
0428044	2pcs T02 6.5 x 45mm Fixing	N/A	Single Side	1
428045	2pcs Threaded Rod M8 x 120mm	N/A	Double Side	1
428046	2pcs T02 Adaptor	N/A	Double Side	1

*Door thickness up to 80 or 95mm, for 1 pair handles with 4 fixing points.

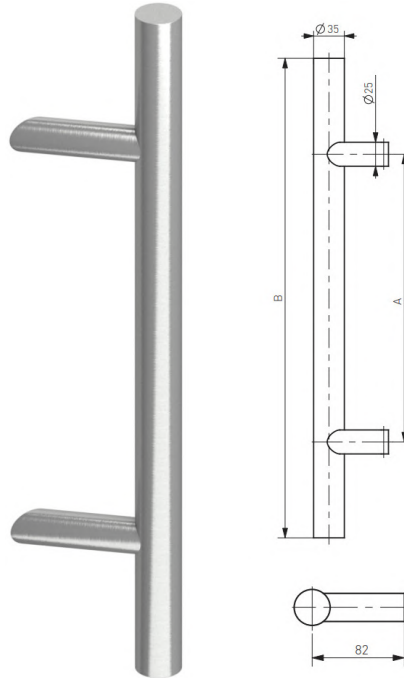


Catalogue not up to date?
Scan the QR or [click here](#)
to view the latest version

[Click to jump back to top](#)

Medos Paris Round Pull Bar - 90° Support

Door handle with 90° straight support made of extruded and machined aluminium, suitable for a one-sided door or for mounting in pairs on doors. Anodised and brushed finish with a diameter of 35mm, available in a variety of lengths.



Product code	Description	Support Angle	Bar Length	Hole Pitch	Finish	Colour
104PF150080090B	Round pull bar	90°	800mm	500mm	brushed - anodised	F1 silver
104PF650080090B	Round pull bar	90°	800mm	500mm	brushed - anodised	F6 stainless
104PF900550080090B	Round pull bar	90°	800mm	500mm	brushed - anodised	F9005 black
104PF1800120090B	Round pull bar	90°	1200mm	800mm	brushed - anodised	F1 silver
104PF6800120090B	Round pull bar	90°	1200mm	800mm	brushed - anodised	F6 stainless
104PF9005800120090B	Round pull bar	90°	1200mm	800mm	brushed - anodised	F9005 black
104PF11000170090B	Round pull bar	90°	1700mm	1000mm	brushed - anodised	F1 silver
104PF61000170090B	Round pull bar	90°	1700mm	1000mm	brushed - anodised	F6 stainless
104PF90051000170090B	Round pull bar	90°	1700mm	1000mm	brushed - anodised	F9005 black

*Note: Requires fixing kit. Please see Medos fixing kits for uPVC and Timber

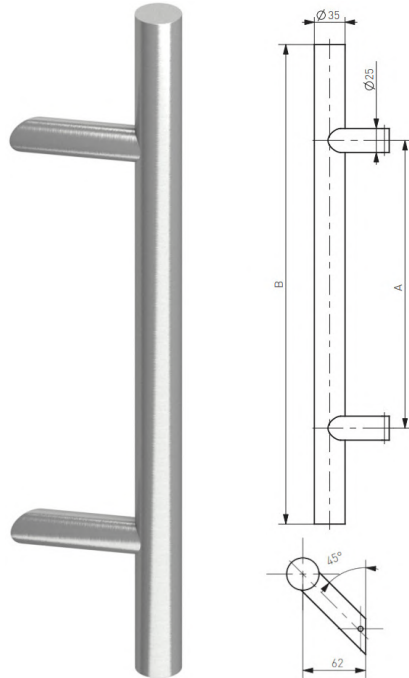


Catalogue not up to date?
Scan the QR or [click here](#)
to view the latest version

[Click to jump back to top](#)

Medos Paris Round Pull Bar - 45° Support

Door handle with 45° support made of extruded and machined aluminium, suitable for a one-sided door or for mounting in pairs on doors. Anodised and brushed finish with a diameter of 35mm, available in a variety of lengths.



Product code	Description	Support Angle	Bar Length	Hole Pitch	Finish	Colour
104PF650080045B	Round pull bar	45°	800mm	500mm	brushed - anodised	F6 stainless
104PF900550080045B	Round pull bar	45°	800mm	500mm	brushed - anodised	F9005 black
104PF1800120045B	Round pull bar	45°	1200mm	800mm	brushed - anodised	F1 silver
104PF6800120045B	Round pull bar	45°	1200mm	800mm	brushed - anodised	F6 stainless
104PF9005800120045B	Round pull bar	45°	1200mm	800mm	brushed - anodised	F9005 black
104PF11000170045B	Round pull bar	45°	1700mm	1000mm	brushed - anodised	F1 silver
104PF61000170045B	Round pull bar	45°	1700mm	1000mm	brushed - anodised	F6 stainless
104PF90051000170045B	Round pull bar	45°	1700mm	1000mm	brushed - anodised	F9005 black

*Note: Requires fixing kit. Please see Medos fixing kits for uPVC and Timber

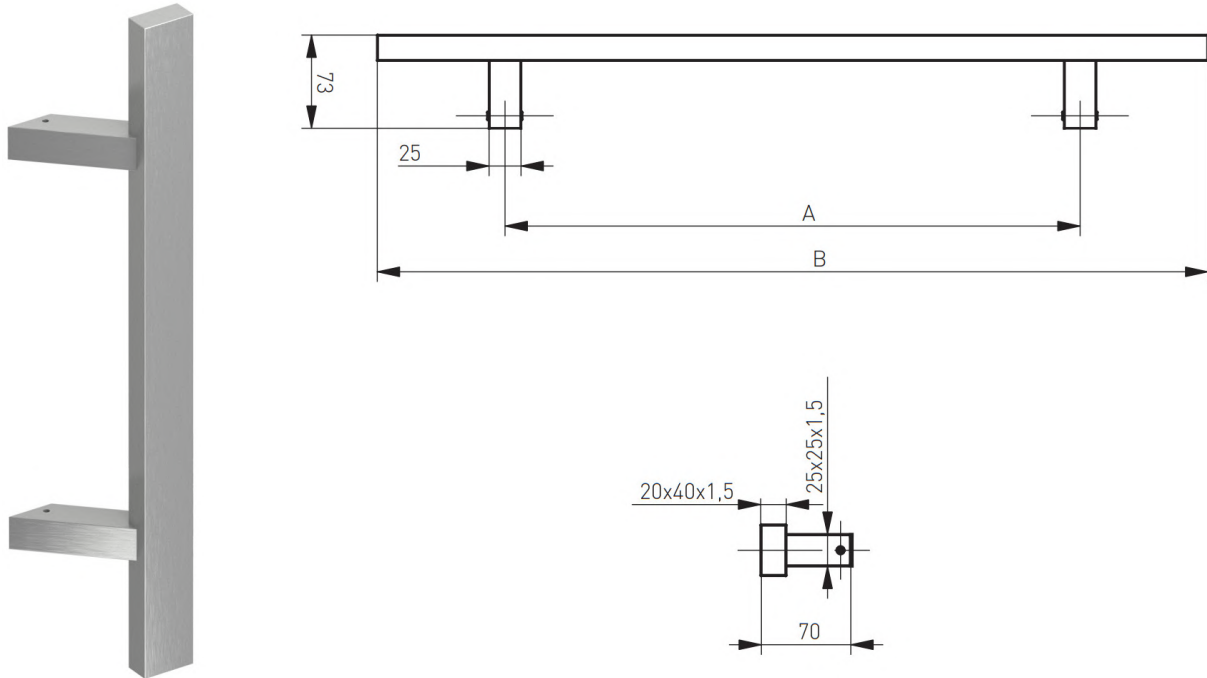


Catalogue not up to date?
Scan the QR or [click here](#)
to view the latest version

[Click to jump back to top](#)

Medos Lisbon Flat Pull Bar - 90° Support

Flat door handle with 90° straight support made of extruded and machined aluminium, suitable for a one-sided door or for mounting in pairs on doors. Flat stainless steel bar 20 x 40mm with an anodised and brushed finish, available in a variety of lengths.



Product code	Description	Support Angle	Bar Length	Hole Pitch	Finish	Colour
104LF150080090B	Flat pull bar	90°	800mm	500mm	brushed - anodised	F1 silver
104LF650080090B	Flat pull bar	90°	800mm	500mm	brushed - anodised	F6 stainless
104LF900550080090B	Flat pull bar	90°	800mm	500mm	brushed - anodised	F9005 black
104LF1800120090B	Flat pull bar	90°	1200mm	800mm	brushed - anodised	F1 silver
104LF6800120090B	Flat pull bar	90°	1200mm	800mm	brushed - anodised	F6 stainless
104LF9005800120090B	Flat pull bar	90°	1200mm	800mm	brushed - anodised	F9005 black
104LF11000170090B	Flat pull bar	90°	1700mm	1000mm	brushed - anodised	F1 silver
104LF61000170090B	Flat pull bar	90°	1700mm	1000mm	brushed - anodised	F6 stainless
104F90051000170090B	Flat pull bar	90°	1700mm	1000mm	brushed - anodised	F9005 black

*Note: Requires fixing kit. Please see Medos fixing kits for uPVC and Timber

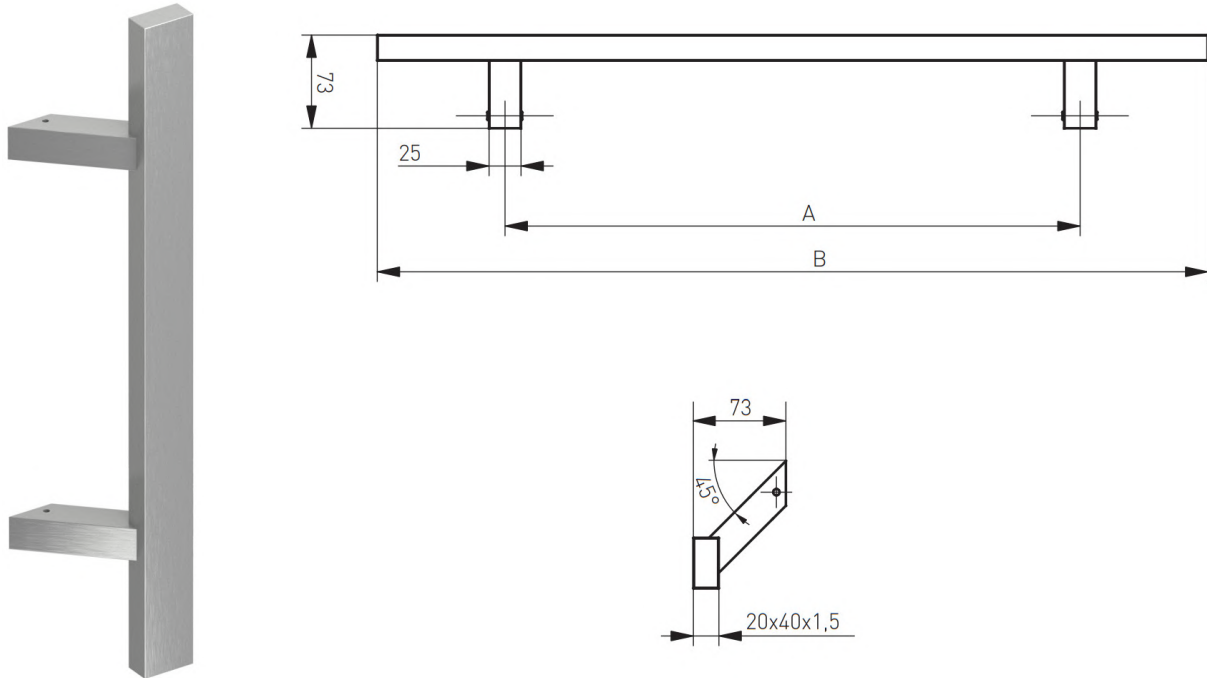


Catalogue not up to date?
Scan the QR or [click here](#)
to view the latest version

[Click to jump back to top](#)

Medos Lisbon Flat Pull Bar - 45° Support

Flat door handle with 45° support made of extruded and machined aluminium, suitable for a one-sided door or for mounting in pairs on doors. Flat stainless steel bar 20 x 40mm with an anodised and brushed finish, available in a variety of lengths.



Product code	Description	Support Angle	Bar Length	Hole Pitch	Finish	Colour
104LF650080045B	Flat pull bar	45°	800mm	500mm	brushed - anodised	F6 stainless
104LF900550080045B	Flat pull bar	45°	800mm	500mm	brushed - anodised	F9005 black
104LF1800120045B	Flat pull bar	45°	1200mm	800mm	brushed - anodised	F1 silver
104LF6800120045B	Flat pull bar	45°	1200mm	800mm	brushed - anodised	F6 stainless
104LF9005800120045B	Flat pull bar	45°	1200mm	800mm	brushed - anodised	F9005 black
104LF11000170045B	Flat pull bar	45°	1700mm	1000mm	brushed - anodised	F1 silver
104LF61000170045B	Flat pull bar	45°	1700mm	1000mm	brushed - anodised	F6 stainless
104LF90051000170045B	Flat pull bar	45°	1700mm	1000mm	brushed - anodised	F9005 black

*Note: Requires fixing kit. Please see Medos fixing kits for uPVC and Timber

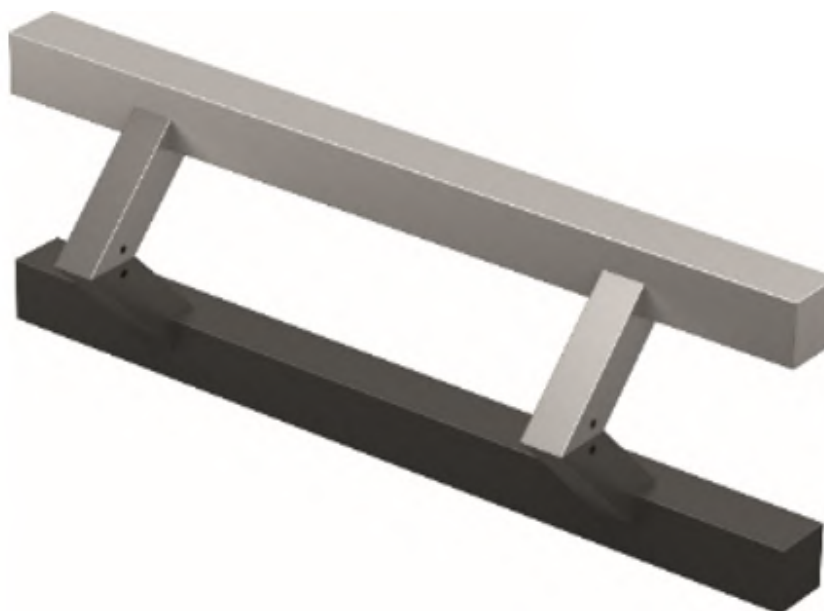


Catalogue not up to date?
Scan the QR or [click here](#)
to view the latest version

[Click to jump back to top](#)

Medos Square Stainless Steel Pullbar - 45° Support

Medos stainless steel pullbar. Made from 304 grade stainless steel.



Product code	Description	Support Angle	Bar Length	Hole Pitch	Finish	Packaging unit
204SS60080045	Square pull bar	45°	800mm	600mm	Stainless	1
204SS1000120045	Square pull bar	45°	1200mm	1000mm	Stainless	1

*Note: Requires fixing kit. Please see Medos fixing kits for uPVC and Timber



Catalogue not up to date?
Scan the QR or [click here](#)
to view the latest version

[Click to jump back to top](#)

Medos Round Stainless Steel Pullbar - 45° Support

Medos stainless steel pullbar. Made from 304 grade stainless steel.



Product code	Description	Support Angle	Bar Length	Hole Pitch	Finish	Packaging unit
104SE1200129645	Round pull bar	45°	1296mm	1200mm	Stainless	1

*Note: Requires fixing kit. Please see Medos fixing kits for uPVC and Timber



Catalogue not up to date?
Scan the QR or [click here](#)
to view the latest version

[Click to jump back to top](#)

Medos Single Sided Fixing Screws

Pair of fixing screws to suit Medos pull bars in a single sided pull bar configuration. Suitable for 90° and 45° pull bar handles.



Product code	Description	System	Packaging unit
10400004500	Pull bar handle screw set - 2pcs	uPVC	1 set
10400000012	Pull bar handle screw set - 2pcs	Timber	1 set

*Note: uPVC Kit pictured left, Timber kit pictured right



Catalogue not up to date?
Scan the QR or [click here](#)
to view the latest version

[Click to jump back to top](#)

Medos Double Sided Fixing Screws

Pair of fixing screws to suit Medos pull bar handles. Suitable for double side pull bar handles. Cut threaded rod to suit profile.



Product code	Description	Packaging unit
1140000010	Pull bar handle screw set - 2 pcs	1 set



Catalogue not up to date?
Scan the QR or [click here](#)
to view the latest version

[Click to jump back to top](#)

Medos Fixing Kit

Fixing kit inside out screws



Product code	Description	Packaging unit
10400000000	Fixing kit inside out screws	1



Catalogue not up to date?
Scan the QR or [click here](#)
to view the latest version






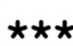





[Click to jump back to top](#)

Siegenia Digital Door Lock

Unlock method:

- Fingerprint (Up to 200)
- Password (Up to 150)
- RF Cards(Up to 200)
- Emergency Key
- Mobile App
- NFC equipped smart devices (watch, phone, etc.)



 Waterproof (IP66)	 Both side	 RH, LH Reversible	 wifi
 Finger print	 Pin code	 emergency key	 long battery life
 RF card	 Mobile App	 Use of domestic batteries	

Product Code	Colour	Door Thickness	Material	Packaging Unit
DDLSI-9000B	Black	60mm - 95mm	Stainless Steel	1

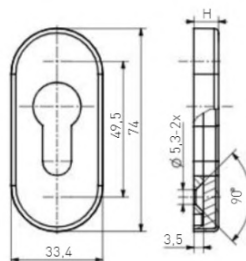
*More colours coming soon



Catalogue not up to date?
Scan the QR or [click here](#)
to view the latest version

[Click to jump back to top](#)

Medos Additional Rosette



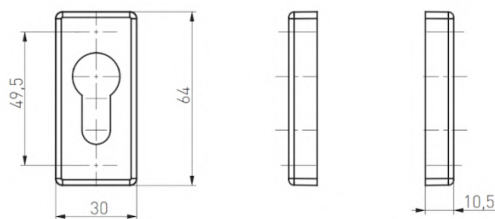
Product code	Description	Rosette Thickness	Colour	Packaging unit
151INOX0000	Additional Rosette - Oval	9mm	Stainless Steel	1
15180770000	Additional Rosette - Oval	9mm	RAL8077	1
15190050000	Additional Rosette - Oval	9mm	RAL9005 Black	1
15190160000	Additional Rosette - Oval	9mm	RAL9016 White	1
1519005M0000	Additional Rosette - Oval	9mm	RAL9005 Black (Matt)	1
151SILV0000	Additional Rosette - Oval	9mm	Silver	1



Catalogue not up to date?
Scan the QR or [click here](#)
to view the latest version

[Click to jump back to top](#)

Medos Additional Rosette Square



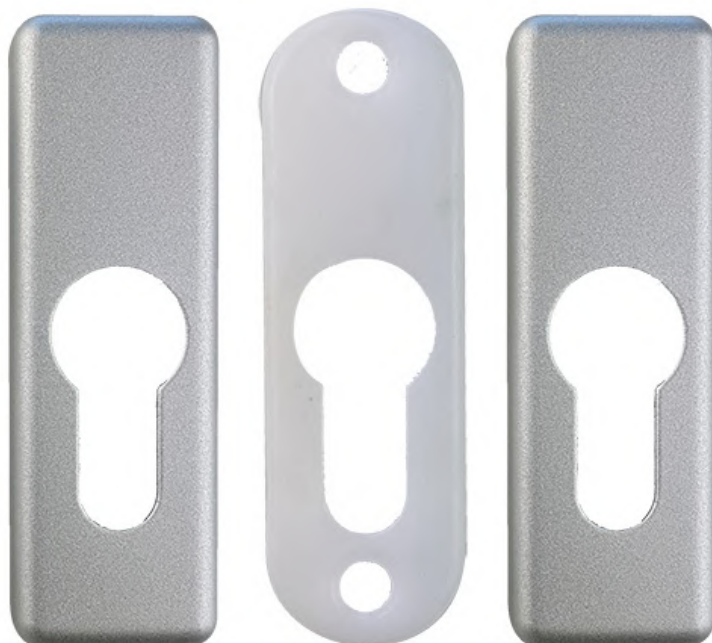
Product code	Description	Rosette Thickness	Colour	Packaging unit
150D9005M	Additional Rosette - Square	10.5mm	RAL9005 Black (Matt)	1
150D9016M	Additional Rosette - Square	10.5mm	RAL9016 White	1
150DF1SD	Additional Rosette - Square	10.5mm	F1 Silver	1
150DF6BD	Additional Rosette - Square	10.5mm	F6 Stainless	1



Catalogue not up to date?
Scan the QR or [click here](#)
to view the latest version

[Click to jump back to top](#)

Siegware Spare Escutcheon Set



Product code	Description	Finish	Colour	Packaging unit
SWSLESSIL	Spare Parts: Escutcheon set	anodised	F1 Silver	1 set
SWSLESWHT	Spare Parts: Escutcheon set	coated	9016 white	1 set
SWSLESBLK	Spare Parts: Escutcheon set	coated	9005 black	1 set

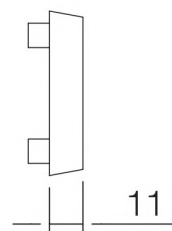
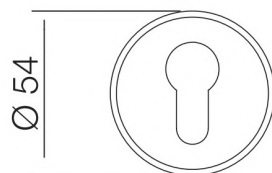


Catalogue not up to date?
Scan the QR or [click here](#)
to view the latest version

[Click to jump back to top](#)

blaugelb External Round Escutcheon

Invisible fix round external escutcheon, screws included.



Product code	Description	Width	Finish	Colour	Packaging unit
413771	Escutcheon PZ external round SS	54mm	stainless steel	fine matt	5

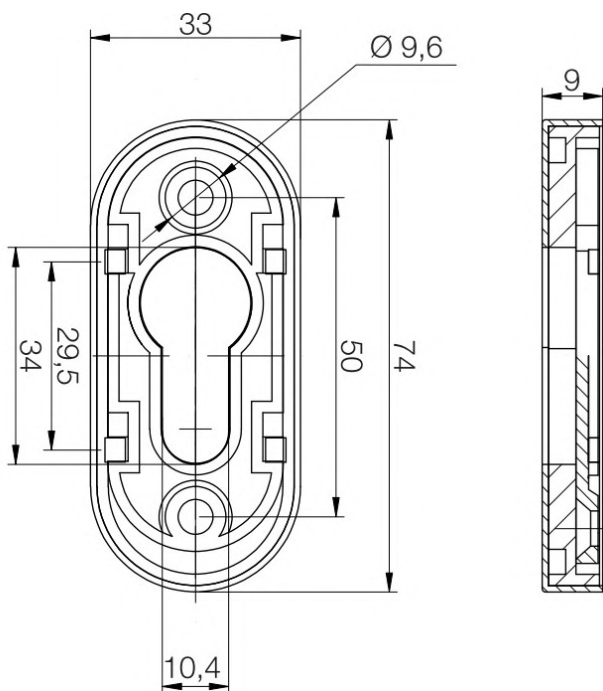


Catalogue not up to date?
Scan the QR or [click here](#)
to view the latest version

[Click to jump back to top](#)

blaugelb Internal Oval Escutcheon

Invisible fix oval internal escutcheon, screws not included.



Product code	Description	Length	Finish	Colour	Packaging unit
417611	Escutcheon PZ internal oval SS	74mm	stainless steel	fine matt	20

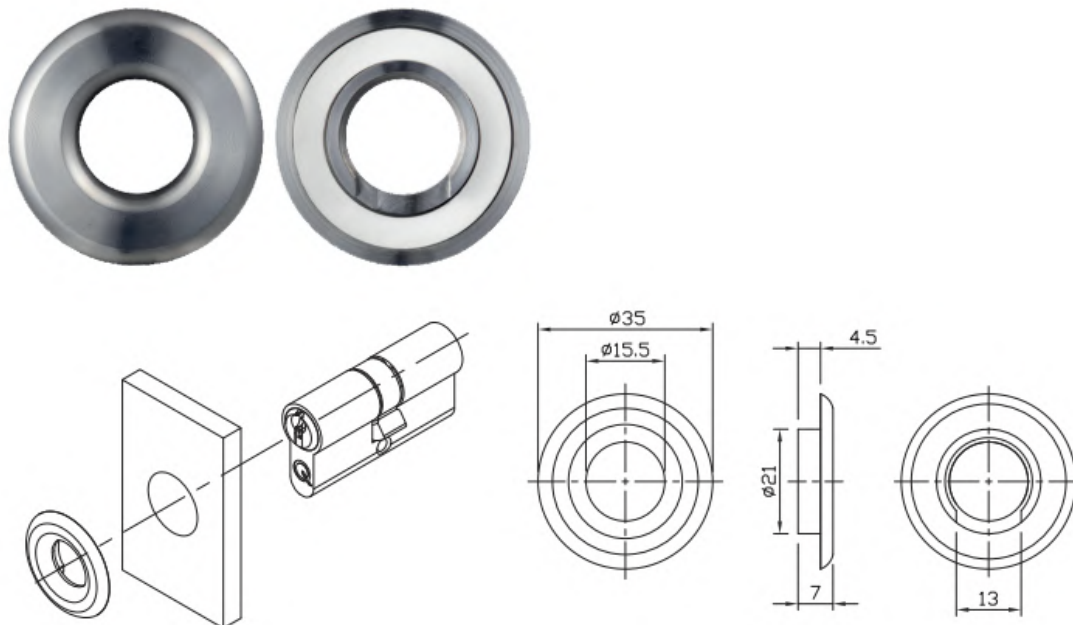


Catalogue not up to date?
Scan the QR or [click here](#)
to view the latest version

[Click to jump back to top](#)

35mm Escutcheon ER

Ornamental escutcheon ring for recessed mounting of cylinder. Self adhesive backing. To fit standard euro profile cylinders.



Product code	Description	Finish	Colour	Packaging unit
GTWC35ESC	35mm Escutcheon	Fine Matt Brushed	Stainless Steel	15



Catalogue not up to date?
Scan the QR or [click here](#)
to view the latest version

[Click to jump back to top](#)

Spindle Kits

Spindle kits for fixing of handles. Kits are sash width dependant.

NOTE: blaugelb spindle kits are compatible with blaugelb handle sets only.



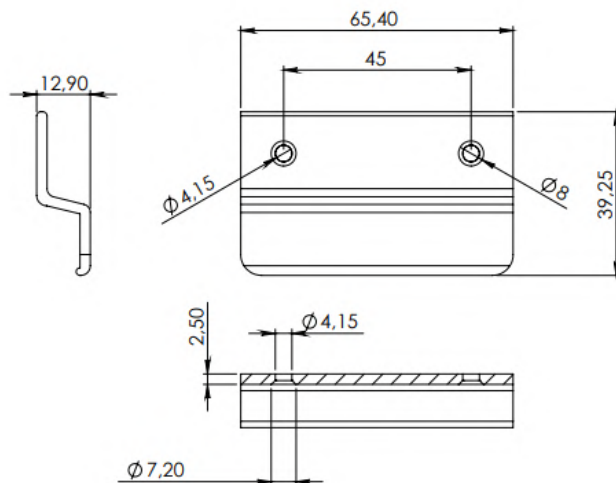
Product code	Description	Size	Screws	Suit profile thickness	Packaging unit
0431718	Window Spindle Kit	7 x 130mm	4 x M5/80mm	67-72mm	1
0424171	DGT50 Spindle Kit	8 x 140mm	3 x M6/80mm	67-72mm	1
0424156	Entrance Door Spindle Kit	8 x 140mm	3 x M5/80mm	67-72mm	1
0424157	Entrance Door Spindle Kit	8 x 140mm	3 x M5/85mm	72-77mm	1
0424158	Entrance Door Spindle Kit	8 x 150mm	3 x M5/90mm	77-82mm	1
9016528	HS Spindle Kit	10 x 160mm	2 x M6/90mm	70-80mm	1
0009016529	HS Spindle Kit	10 x 160mm	3 x M6/95mm	81-90mm	1
0337807	Half Spindle Kit	8 x 100mm	-	-	1
ZMZP0010-100010	Spindle Kit	7 x 135mm	4 x M5/80mm	75-84mm	1
ZMZP0020-100010	Spindle Kit	7 x 125mm	4 x M5/75mm	65-74mm	1



Catalogue not up to date?
Scan the QR or [click here](#)
to view the latest version

[Click to jump back to top](#)

Patio Pull Handle



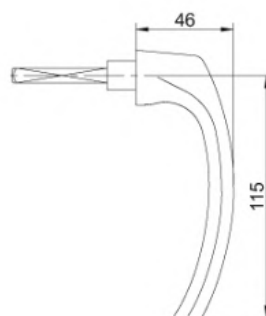
Product code	Description	Finish	Colour	Packaging Unit
9021637	Patio pull handle	Coated	White RAL9016	20
9021634	Patio pull handle	Anodised	F1 Silver	20



Catalogue not up to date?
Scan the QR or [click here](#)
to view the latest version

[Click to jump back to top](#)

Maintenance Handle



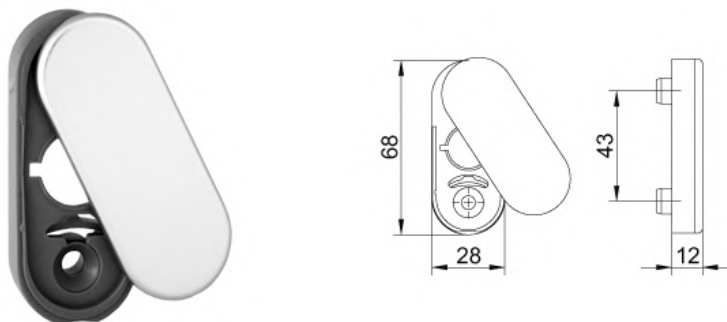
Product code	Description	Finish	Colour	Packaging Unit
1005S 37 9005	Pull out maintenance handle	Coated	Black RAL9005	1
1005S 37 F1	Pull out maintenance handle	Anodised	F1 Silver	1
1005S 37 W	Pull out maintenance handle	Coated	White	1



Catalogue not up to date?
Scan the QR or [click here](#)
to view the latest version

[Click to jump back to top](#)

Maintenance Handle Rosette



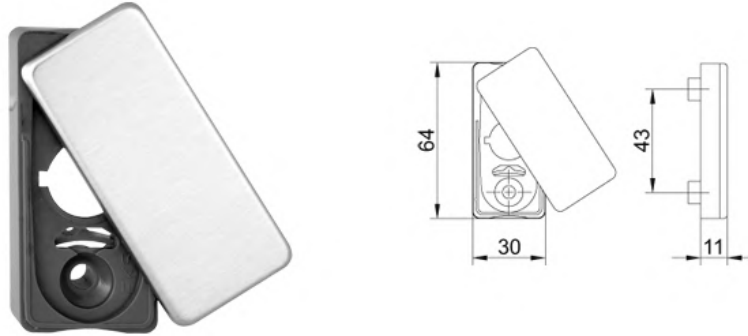
Product code	Description	Colour	Packaging Unit
VERDECKROSETTE OVAL 9005	Maintenance Handle Rosette - Oval	RAL9005 Black	1
VERDECKROSETTE OVAL F1	Maintenance Handle Rosette - Oval	F1 Silver	1
VERDECKROSETTE OVAL W	Maintenance Handle Rosette - Oval	White	1



Catalogue not up to date?
Scan the QR or [click here](#)
to view the latest version

[Click to jump back to top](#)

Maintenance Handle Rosette



Product code	Description	Colour	Packaging Unit
VERDECKROSETTE ECKIG 9005	Maintenance Handle Rosette - Square	RAL9005 Black	1
VERDECKROSETTE ECKIG F1	Maintenance Handle Rosette - Square	F1 Silver	1
VERDECKROSETTE ECKIG W	Maintenance Handle Rosette - Square	White	1



Catalogue not up to date?
Scan the QR or [click here](#)
to view the latest version

[Click to jump back to top](#)

Medos 3pc Frontline Screw Set

Screw for door handle FRONTLINE 80mm



Product code	Description	Finish	Packaging unit
0180080F103	Screw for door handle FRONTLINE 80mm F1	F1 Silver	1
0180080F603	Screw for door handle FRONTLINE 80mm F6	F6	1
0180080F900503	Screw for door handle FRONTLINE 80mm F9005	F9005	1



Catalogue not up to date?
Scan the QR or [click here](#)
to view the latest version

[Click to jump back to top](#)

Handle Lug Sleeve

Handle Lug sleeve for reducing oversized holes to suit smaller lugs



Product code	Description	Outer diameter	Inner Diameter	Packaging unit
524655	Handle lug sleeve	12mm	10mm	Bag of 10



Catalogue not up to date?
Scan the QR or [click here](#)
to view the latest version

[Click to jump back to top](#)

Spindle Reduction Sleeve

Reduction sleeve used to increase the dimensions of the spindle to suit a larger receiving hole on a door or window gear.



Product code	Length	Inner Dimension	Outer Dimension	Packaging unit
0222751	30mm	7mm	8mm	1
09083286	30mm	8mm	9mm	1

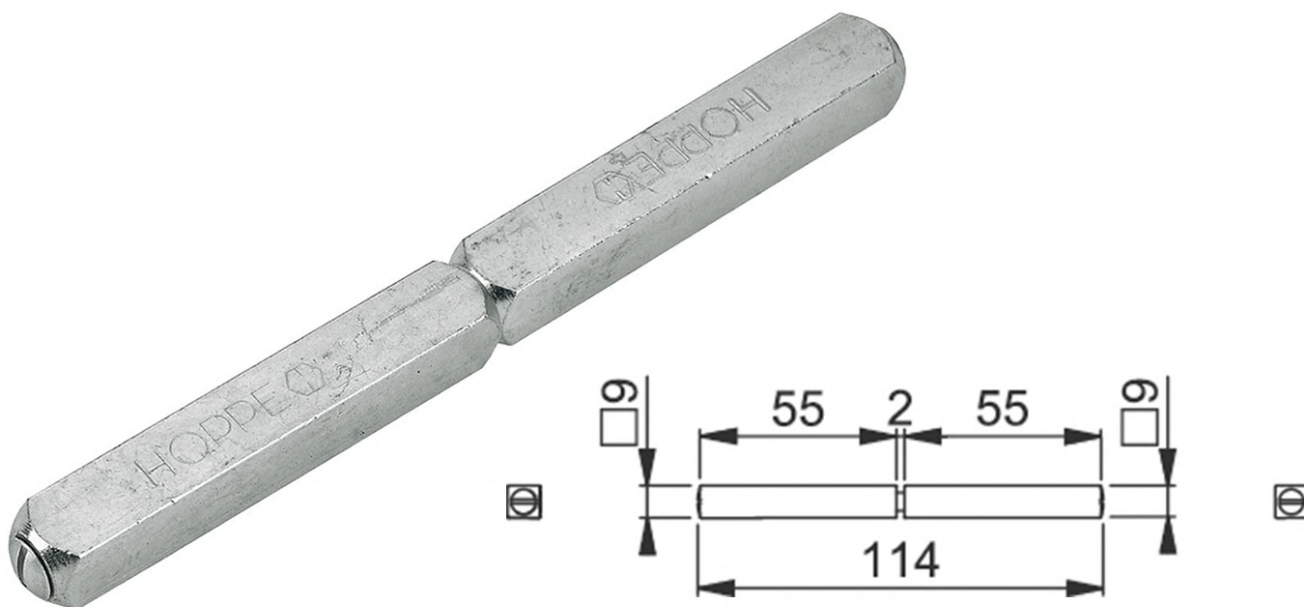


Catalogue not up to date?
Scan the QR or [click here](#)
to view the latest version

[Click to jump back to top](#)

Panic Pin

Split spindle suitable for panic locks. Suitable for fire rated applications and emergency exits.



Product Code	Description	Dimensions (mm)	Packaging Unit
4841346	Panic pin	9 x 114	1



Catalogue not up to date?
Scan the QR or [click here](#)
to view the latest version

[Click to jump back to top](#)

FKS Drilling Template



Product code	Description	Fittings dimension (mm)	Packaging unit
548-00215	Drilling template	216	1



Catalogue not up to date?
Scan the QR or [click here](#)
to view the latest version

[Click to jump back to top](#)

Handles Catalogue

*53 Haddon Drive
PO Box 27
Ballan VIC 3342
Australia*

*+61 03 5368 1181
info@siegware.com.au
www.siegware.com.au
www.siegware.co.nz*