

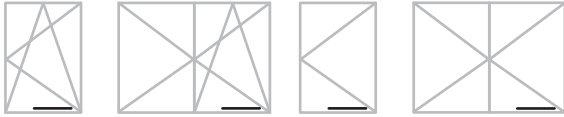


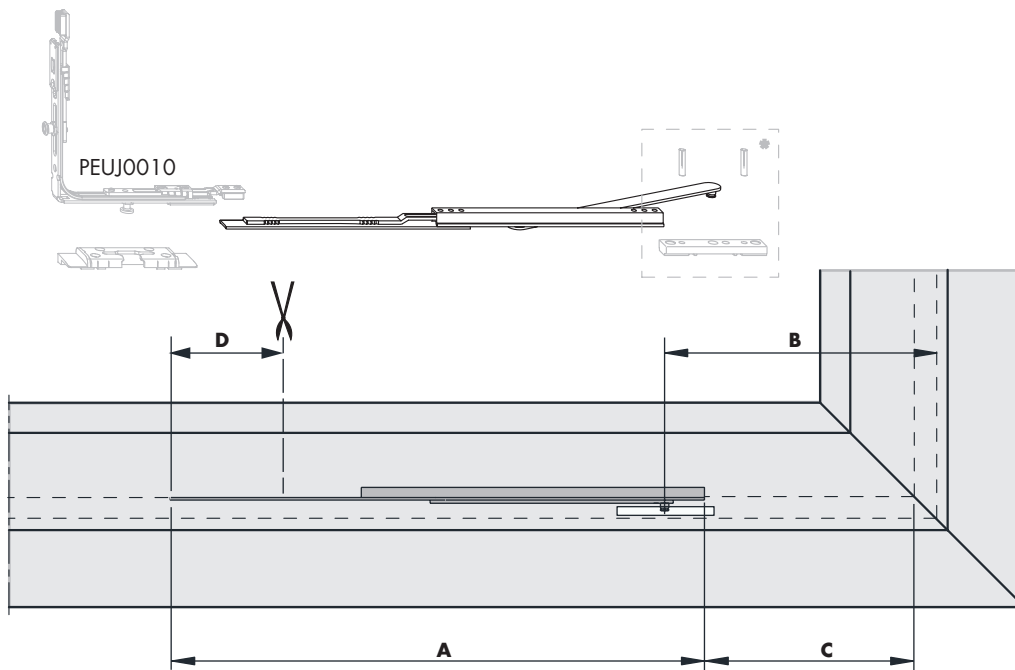


## Technical information

Part number	Description	FFB	Dimensions (mm)					
			A	B	C	D		
TSBR0040-...	brake stay TAB sz 1	470 - 690	540	55	18	200	1	4
TSBR0050-...	brake stay TAB sz 2	691 - 960	718	132	104	250	1	4



- The dimensions specified only apply when using surface mounted hinges, whose pivot points correspond to SIEGENIA hinges. If pivot points differ, adjust dimensions so that a sash opening angle of 100° is not exceeded.
- Brake stay sz 1 **must not** be used together with rebate corner hinges
- **Intended Use:**  
Keep inward opening window sash of side-hung and tilt and turn window elements in turn position for brief ventilation.
- Service in accordance with our operating and maintenance manual
- \*Acc. bag friction stay refer to PDB line item FMBR
- **The following must be observed:**  
VHB Guideline (Specification and Information on the Product and Liability) with the applicable documents stated herein) and the FBDF Guideline (Brake stay for Variable Turning Position of Sashes) - Download the guidelines at [www.beschlagindustrie.de/ggsb/richtlinien.asp](http://www.beschlagindustrie.de/ggsb/richtlinien.asp)). Information from the profile manufacturer and/or system provider (PVC, aluminium) or the DIN 68 121 – „Timber Profiles for Windows and French Windows"



## Sales information

Description	Part number	Surface	Colour	Box quantity
brake stay TAB sz 1	TSBR0040-10001_	Titan Silver	without	1 pc
	TSBR0040-10002_	Titan Silver	without	10 pcs
brake stay TAB sz 2	TSBR0050-10001_	Titan Silver	without	1 pc
	TSBR0050-10002_	Titan Silver	without	10 pcs



## Installation advice

### DANGER

#### **Risk of injury and death due to a sash falling out in the event of misuse!**

In the event of misuse (= movement of the sash that is opened and positioned in the direction of the turning position without first releasing the turn restrictor), large forces can be transferred on to bearing points (hinge-side supporting hardware) and their fixings, which can lead to their malfunction or failure.

- Select and fit hinge-side bearing hardware so that, even in the event of misuse of the sash that is opened and positioned in the direction of the turning position, damage to the load-bearing hardware or the malfunction or failure of the fixing is eliminated.
- Check whether the combination of window profile, hinge-side supporting hardware chosen – this also applies to SIEGENIA hinges – and their fixings withstands misuse. In this respect, check the sash opened and positioned in the direction of the turning position in accordance with Item 3.2 of Guideline FBDF.
- Apply operating instruction stickers near to the handle to avoid misuse.
- The turn restrictors shown here:
  - are used to keep a sash in a defined turning position
  - act against the accidental movement of a sash
  - offer no protection against falling out of a window
  - are not fall protection devices in the sense of the TRAV
  - do not constitute child safety locks
  - are not envisaged for use as arrestable brake-stays for the purposes of cleaning
  - are not envisaged for use as obstruction protection
  - are so-called comfort elements and thus are not safety devices in accordance with Item 4.8 of DIN EN 14351-1:2006+A1 and are not opening limiters in accordance with EN 13126-5