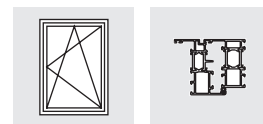
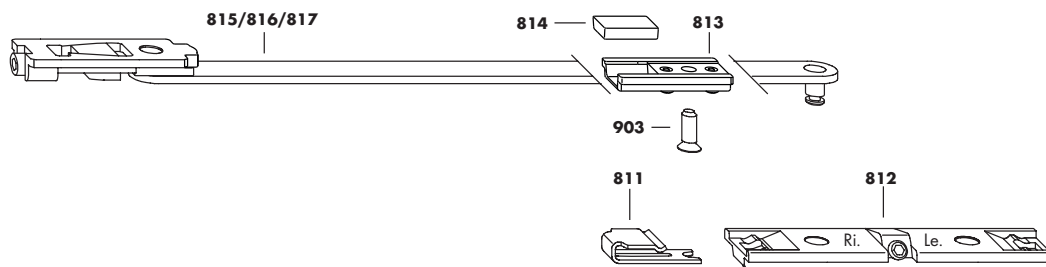




ALU accessories



Sash brake ALU with damping



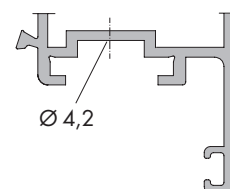
Pos.	Qty.	Description		Material no.		Material no.
	1	Sash brake ALU - short	1	MSBR0100-100010	50	MSBR0100-100050
811	1	Spring				
812	1	Top hinge block				
813	1	Stop				
814	1	Filling piece for end position cushioning				
815	1	Sash brake ALU - short				
	1	Sash brake ALU axxent short	1	MSBR0150-100010	50	MSBR0150-100050
811	1	Spring				
812	1	Top hinge block				
813	1	Stop				
814	1	Filling piece end position damping				
816	1	Sash brake ALU axxent short				
	1	Sash brake ALU - long	1	MSBR0120-100010	50	MSBR0120-100050
811	1	Spring				
812	1	Top hinge block				
813	1	Stop				
814	1	Filling piece for end position cushioning				
817	1	Sash brake ALU - long				
903	1	Countersunk screw M5 x 19 <i>Use for sash groove with recess (see Figure 1)</i>	1	800867	40	257562

Technical specifications and colours are subject to change

Size range

(It is essential to adhere to the details from the system provider)

		Sash width (mm) Windows/Patio doors
sash brake ALU short	KPS	≥ 450 ≤ 1000
	KPW	≥ 700 ≤ 1000
sash brake ALU axxent PLUS short	KPS	≥ 600 ≤ 1000
	KPW	≥ 850 ≤ 1000
sash brake ALU long		> 1000 ≤ 1600



Picture 1

Table of contents

Size range.....	page 1
Important notes.....	page 2
assembly instructions (I)	page 3
assembly instructions (II)	page 4

It is essential to check the planning manual on aluminium (H4006.3042EN) for further details and specifications/ information regarding the product and liability (guidelines: VVBH, TBKD and VHBE).

Assembly instructions
H48.ZUBHLS017en

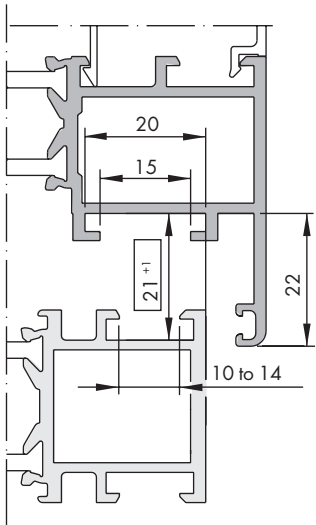
H48.ZUBHLS017en/2

Important information

- Please observe our product information "Tilt & turn hardware for windows and patio doors".
- The size range specifications on page 1 are binding for the hardware described in these assembly instructions. Please also observe the information in the assembly instructions listed below.
- The hardware components specified in these assembly instructions are made from rust-resistant material. They may not be used in environments with aggressive, corrosive air contents.
- Install all hardware components properly following the assembly instructions on pages 3 and 4.
- Window and door elements may only be surface treated before installing the hardware components. Subsequent surface treatment can impair the functionality of the hardware components. In this case, we shall assume no liability.
- When inserting blocks, be sure to observe technical guideline no. 3 published by the German Glazing Trade [Glaserhandwerk], "Blocking glazing units" [Klotzung von Verglasungseinheiten].
- Never use acetic or acid cure sealants as they can cause the hardware components to corrode.
- Keep all rebates free from deposits and dirt.

Exclusion of liability

We assume no liability for loss of function and damage to the hardware, as well as the windows and patio doors that are equipped with them, resulting from inadequate tendering, failure to follow these installation instructions or from force being applied to the hardware (e.g.



For details of accessories for SIEGENIA ALU hardware, please refer to the information on the LM eurogroove for aluminium profiles for windows and patio doors.

The system manufacturer's specifications should also be complied with.

LM eurogroove

ALU sash brake with damping - assembly instructions (I)

Assembly instructions (example DIN right)

- Sash**
- A** Press filling piece with end position damping (**814**) into the stop (**813**) (see fig. 2).
 - B** Push stop (**813**) at the bottom locking side into the sash groove, position accordingly (see table and fig. 4) and secure with punching screws. Pre-drill in the case of sash groove with recess $\varnothing 4.2$ and fix stop (**813**) with countersunk screw M5 x 19 (**903**) (PZ2) (torque 2.5 Nm). Line stop (**813**) on site.
 - C** Push guiding piece of the sash brake ALU (**815/816/817**) at VSU horizontally into the sash groove (fig. 4).

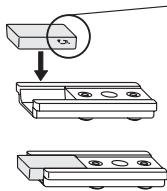


Fig. 2

Note: The groove in the filling piece end position damping (**814**) must be pressed into the stop (**813**) as shown in the adjacent figure.

- Frame**
- A** Clip spring (**811**) in pre-assembly position DIN right/left on top hinge block (**812**) (fig. 3).
 - B** Insert top hinge block (**812**) into frame groove, position according to dimension X (see table and fig. 4) and clamp firmly with grub screw (torque 2.5 ± 0.25 Nm).
- only with axxent PLUS**
- B** Insert top hinge block (**812**) into frame groove and push against the bottom hinge right/left ALU axxent PLUS (not illustrated), then clamp firmly with grub screw (torque 2.5 ± 0.25 Nm).

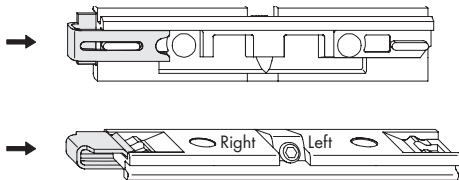


Fig. 3

Opening angle Measurements in mm		90° ALU 2200/5200 200/300		90° axxent ALU PLUS	
		X	Y	X	Y
sash brake ALU short	KPS	$FB \geq 450 \leq 1000$		-	-
	KPW	$FB \geq 700 \leq 1000$		-	-
sash brake ALU axxent PLUS short	KPS	$FB \geq 600 \leq 1000$		(137)	156
	KPW	$FB \geq 850 \leq 1000$		-	-
sash brake ALU long		$FB > 1000 \leq 1600$		(137)	218

Assembly of the sash brake ALU on the hinge side at the bottom (BSU)

⚠ WARNING

Risk of injury due to window sash falling out!

- Install ALU sash limiter only on the hinge side below.

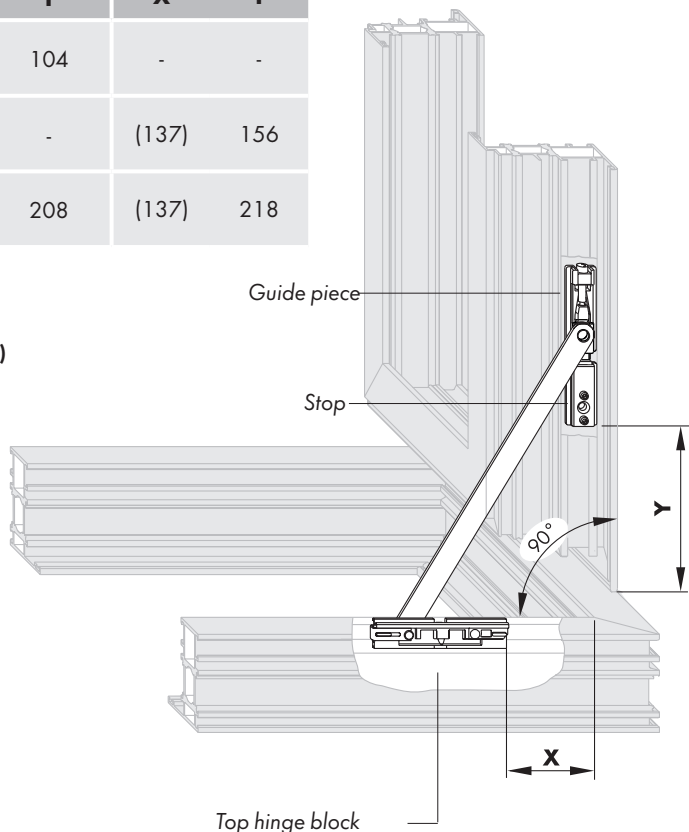
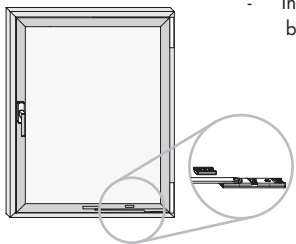
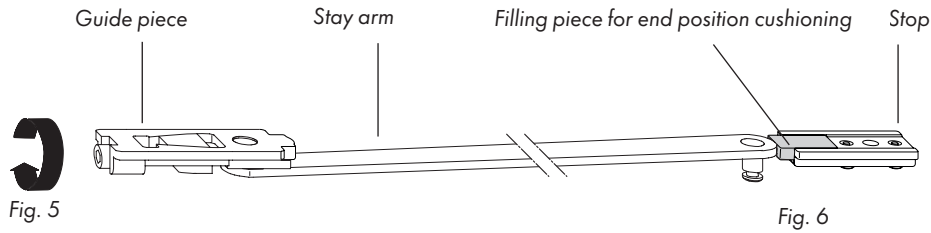


Fig. 4

Sash brake ALU with damping - assembly instructions (II)

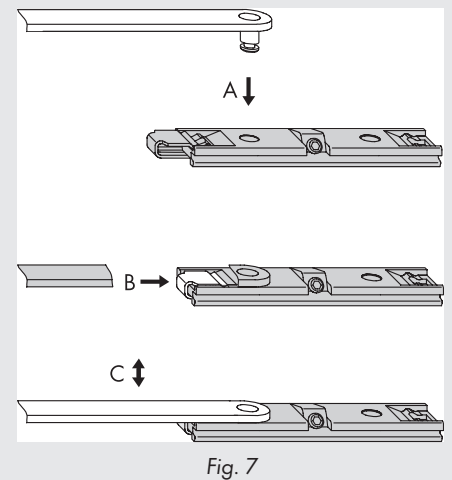
Transit support

- Sash**
- A** Slide the stay arm of the sash brake ALU (**815/816/817**) on to the inserted filling piece for end position damping (**814**) in the stop (**813**) (fig. 6).
 - B** Tighten the cheese head screw on the guiding piece to prevent shifting (fig. 5).



Final assembly (example shows DIN right)

- Attaching the sash limiter (fig. 7)**
- A** Stop bolt of the sash brake ALU short/long (**815/816/817**) Insert into the intended drill hole DIN right/left of the top hinge block (**812**).
 - B** Engage the spring (**811**) into its final position in the top hinge block (**812**).
 - C** Make sure that the stop bolt of the sash limiter ALU short/long (**815/816/817**) is secured.



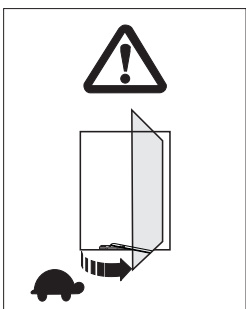
Adjustment

Adjust the cheese head screw on the guiding piece so that the sash has a noticeable turn resistance.

Braking reaction Adjust by screwing in or unscrewing the cheese head screw on the guiding piece (fig. 5).

Tool: Hexagon screwdriver \square 4 mm.

Turning window sashes into end position



⚠ WARNING

Risk of injury and damage to property (hinge breakage) due to the sash falling out when opened incorrectly.

- Avoid hitting the frame or other sash when opening one sash
- Slowly move the sash into its end position by hand
- Never let sashes swing open uncontrollably