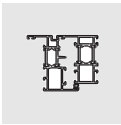
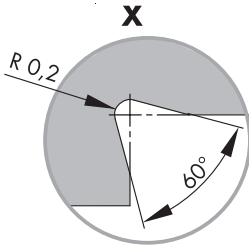
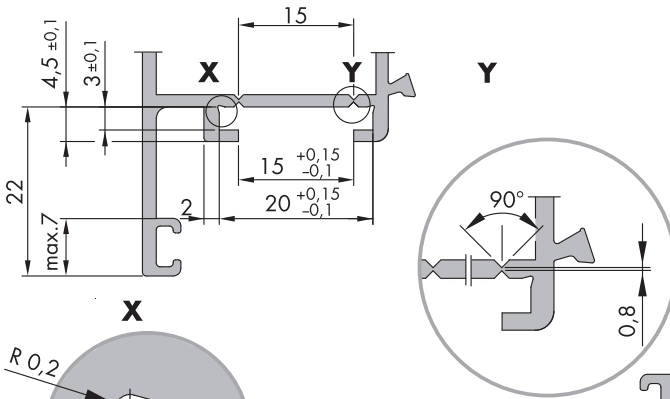


ALU Profile suggestion

Profile details, operating rod dimensions and pivot points for aluminium windows and patio doors

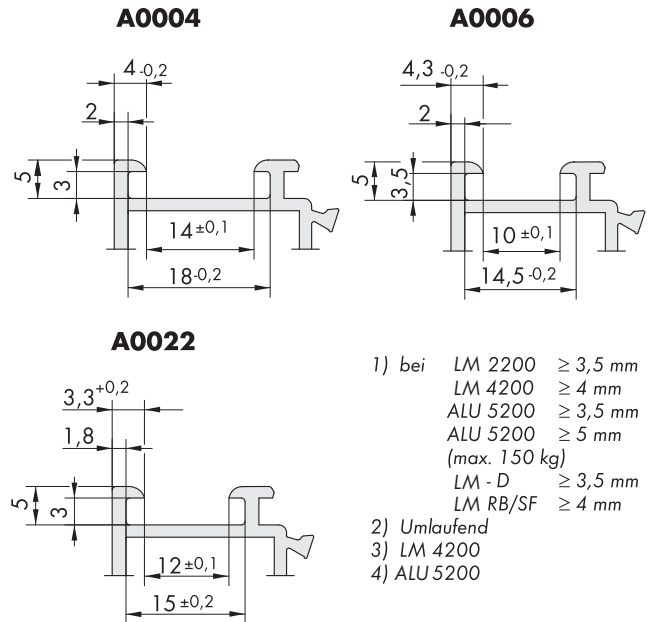


Sash dimensions

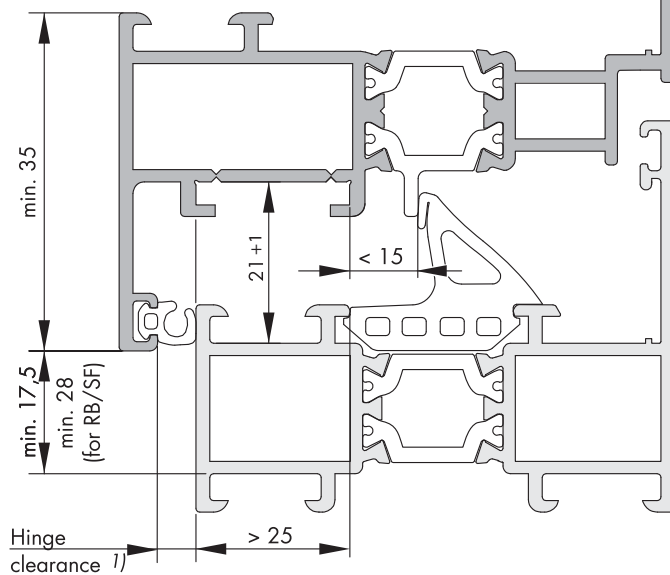


The dimensions given are finished dimensions after surface treatment of the profiles e.g. painting, powder coating etc.!

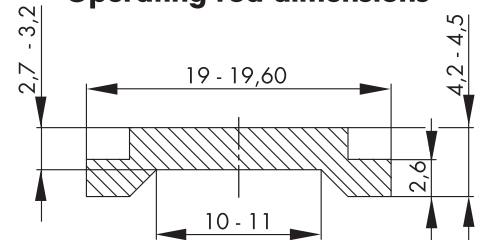
Frame groove dimensions



- 1) bei LM 2200 $\geq 3,5$ mm
LM 4200 ≥ 4 mm
ALU 5200 $\geq 3,5$ mm
ALU 5200 ≥ 5 mm
(max. 150 kg)
LM - D $\geq 3,5$ mm
LM RB/SF ≥ 4 mm
- 2) Umlaufend
- 3) LM 4200
- 4) ALU 5200

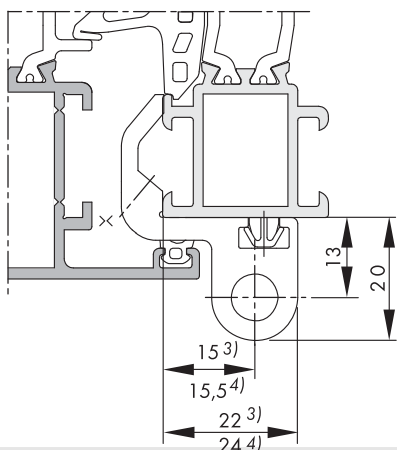


Operating rod dimensions



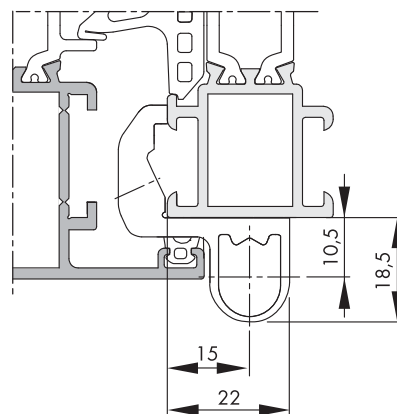
Pivot point

LM 4200/ALU 5200



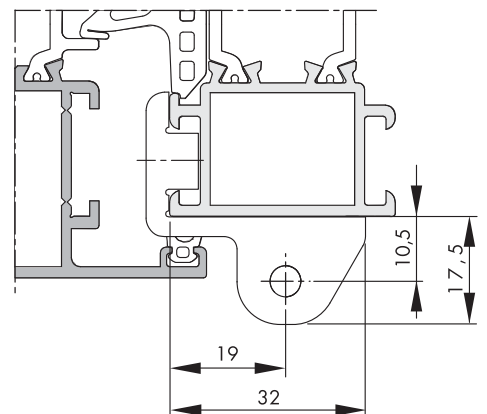
Pivot point

LM 2200



Pivot point

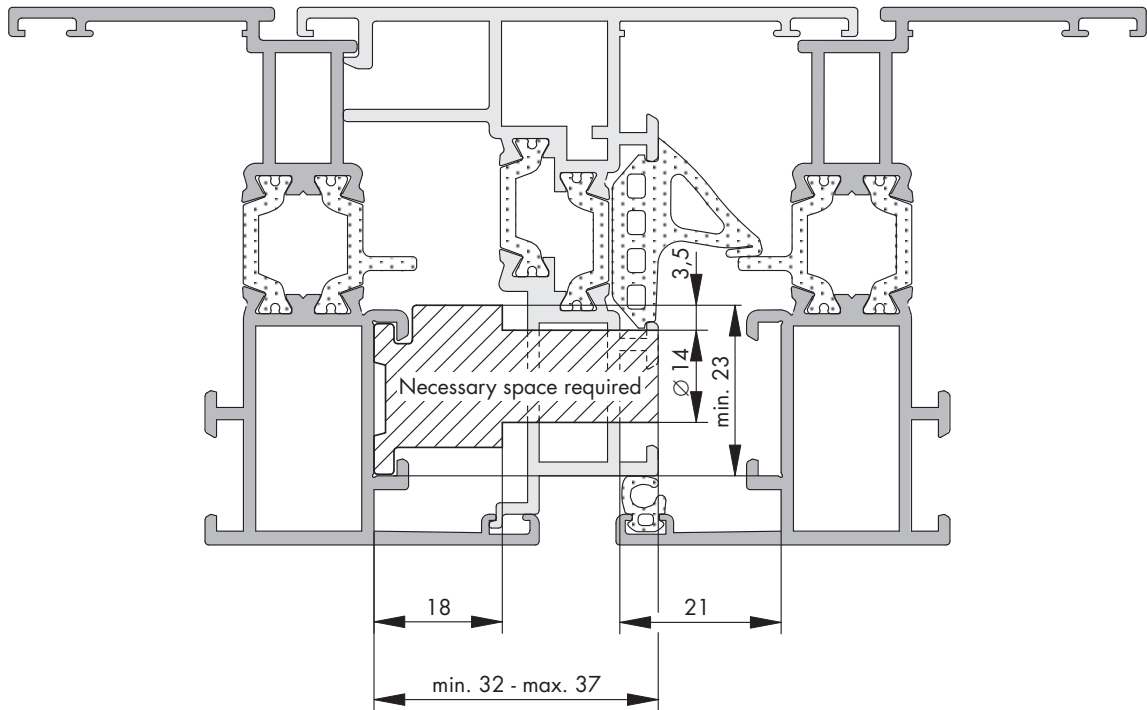
LM RB/SF



Technical specifications and colours are subject to change

H48.ZUBHLS008en/1

**Slave sash profile suggestion
for slave sash gear**



**Slave sash profile suggestion
for A0006 shoot bolt range**

