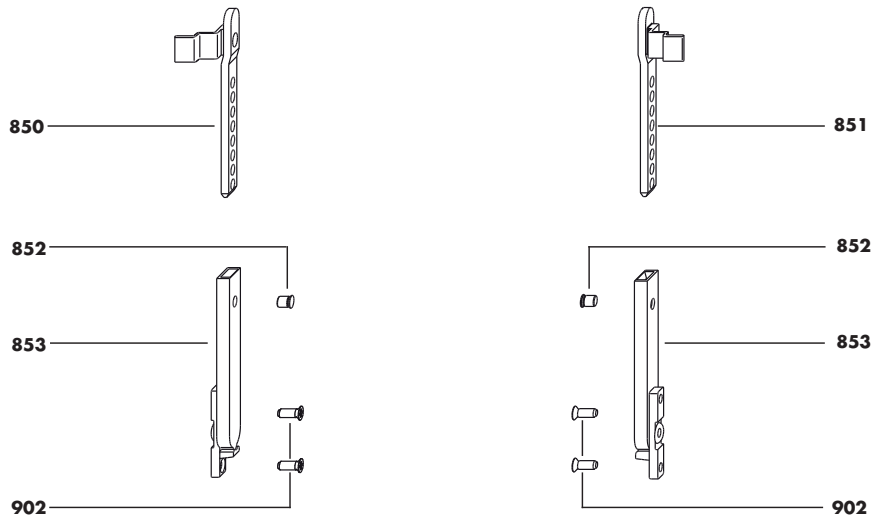




ALU accessories

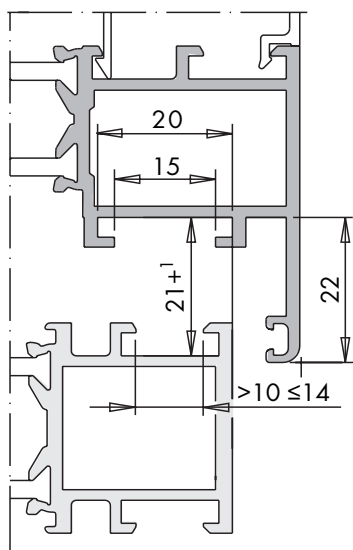


ALU anti-slam device right

ALU anti-slam device left



Item	Qty	Material description		Material no.		Material no.
	1	ALU anti-slam device right	1	818732	20	220375
850	1	Fixing arm right				
852	1	Bolt				
853	1	Supporting piece				
902	2	M5 x 13 countersunk screw				
	1	ALU anti-slam device left	1	818749	20	220382
851	1	Fixing arm left				
852	1	Bolt				
853	1	Supporting piece				
902	2	M5 x 13 countersunk screw				



ALU eurogroove

It is essential to check the planning manual on aluminium (H4006.3042EN) for further details and specifications/information regarding the product and liability (guidelines: VHBH, TDBK and VHBE).

Size range (depends on hardware)

	Windows/Patio doors
G2 handle seat	≥ 450 mm

For details of accessories for SIEGENIA ALU hardware, please refer to the information on the ALU eurogroove for aluminium profiles for windows and patio doors.

The system manufacturer's specifications should also be complied with.

Assembly instructions
H48.ZUBHLS013en

H48.ZUBHLS013en/0

ALU-D night vent – assembly instructions, important information

Assembly instructions

Preparation	A	Make holes on the frame with $\varnothing 4.2$ for strikers (845) according to dimensions (Fig. 1).
	B	Process operating rods S1 – S2 according to specifications (Fig. 2).
Sash	A	Push the friction disc (846) into the groove provided (Fig. 3).
	B	Insert operating rods S1 and S2 with coupling bracket (600) and locking part (847) on the VS.
	C	Insert run-up block (513) horizontally on the VSU.
Frame	A	Position strikers (845) according to dimensions (Fig. 1) and secure using the M5 x 13 countersunk screws (902) (torque 2.5 ± 0.25 Nm).
	B	Insert tilt locking part (510) in the groove on the VSU, push it up to the start of the groove and fix in place with grub screw (torque 1.5 ± 0.25 Nm).

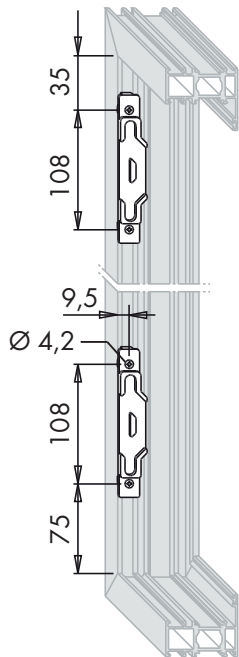


Fig. 1

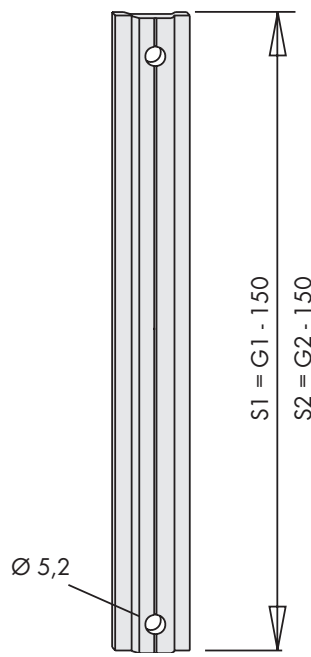


Fig. 2

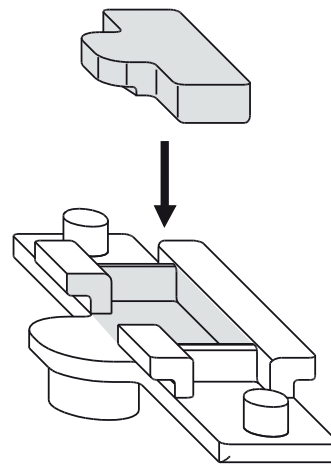


Fig. 3

Note:

For 90° night vent positioning (Fig. 4), the vent width on the VS is approx. 10 mm.

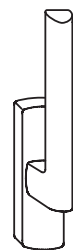


Fig. 4

Important information

- Please observe our product information "Tilt & turn hardware for windows and patio doors".
- The size range specifications in the applicable assembly instructions are binding for the hardware described in these assembly instructions.
- The hardware components specified in these assembly instructions are made from rust-resistant material. They may not be used in environments with aggressive, corrosive air contents.
- Your complete set of hardware should solely be composed of SIEGENIA hardware components. Otherwise damage could occur, for which we accept no liability.
- Install all hardware components properly in accordance with the assembly instructions on this page.
- Never use acetic or acid cure sealants as they can cause the hardware components to corrode.
- Window and door elements may only be surface treated before installing the hardware components. Subsequent surface treatment can impair the functionality of the hardware components. In this case, we shall assume no liability.

Disclaimer of liability

We assume no liability for loss of function and damage to the hardware, as well as the windows and patio doors that are equipped with them, resulting from inadequate tendering, failure to follow these assembly instructions or from force being applied to the hardware (e.g. through improper use).