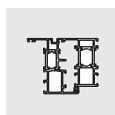
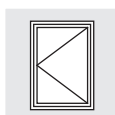


ALU axxent PLUS-D/ZV

Assembly instructions



BD3.5

Single sash square turn only

Aluminium eurogroove 15/20

Chamber dimension 21

Versions A0004/A0006/A0022

Hinge clearance (BD) ≥ 3.5

Size range

		Windows	Patio doors
Sash width	(mm)	600 – 1600	600 – 1300
Sash height	(mm)	550 – 2000	2000 – 2600
Sash weight	(kg)	max. 150	max. 150

The following application diagrams are valid:

-max. 150 kg

document Nr.: H58.AWDLS005EN

The following documentation is required:

-Profile recommendation ALU20

document Nr.: H45.ALUS001EN

-ALU axxent PLUS-D/DS assembly instructions

document Nr.: H39.axntLS002EN

-ALU Maintenance instructions

document Nr.: H49.ALUS001EN

-ALU Service instructions

document Nr.: H47.ALUS001EN

-ALU Operating instructions

document Nr.: H47.ALUS002EN

-Sash brake ALU with damping (>130 kg)

dokument-Nr.: H48.ZubhLS017EN

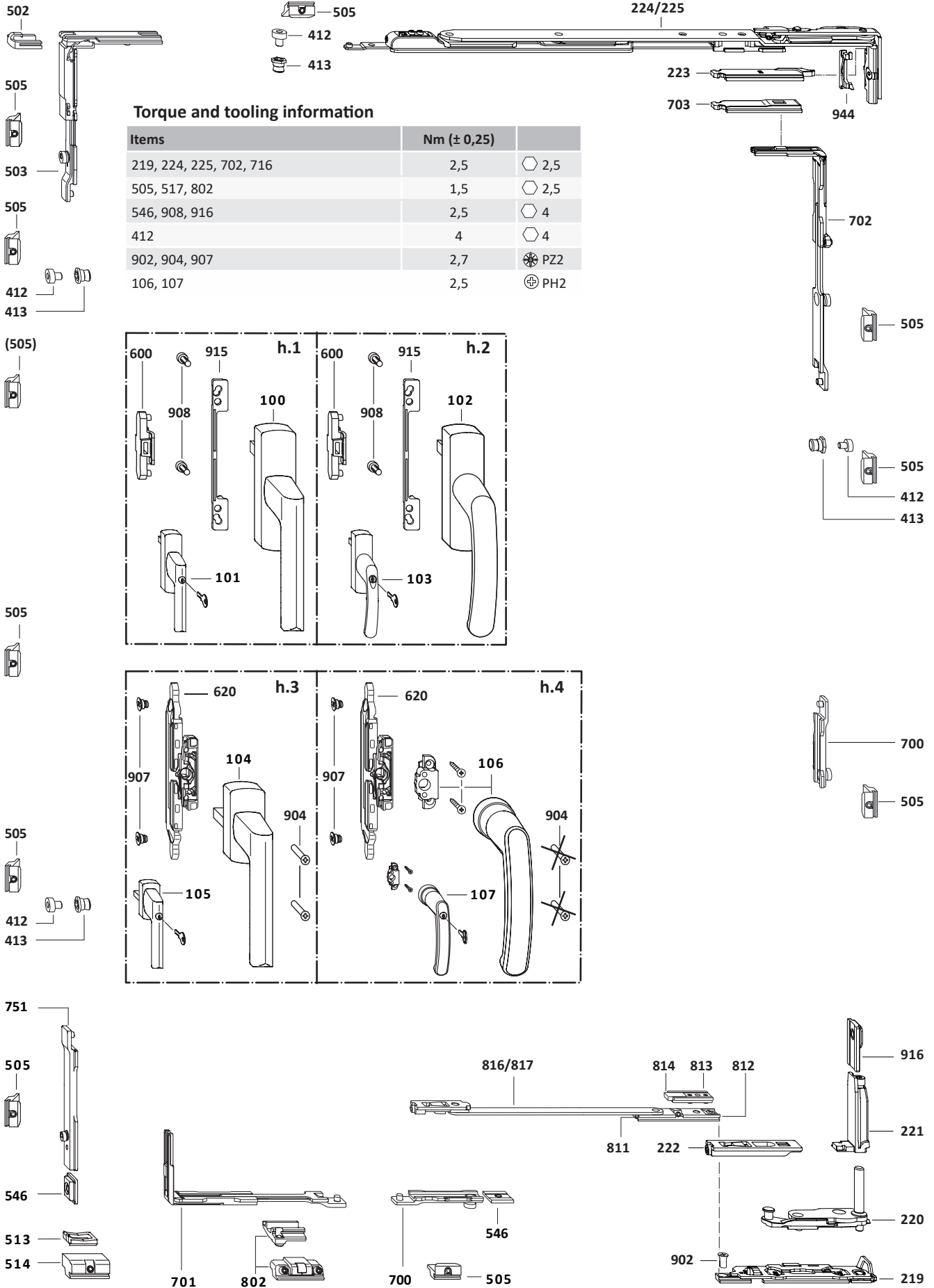
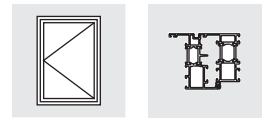
Please observe:

Guidelines/notes on the product and on liability (VHBH directive as well as the further applicable documents)!

Specifications from the profile manufacturers or system owners for windows and patio doors!



See SIEGENIA download portal for all documentation!



Torque and tooling information

Items	Nm (± 0,25)	
219, 224, 225, 702, 716	2,5	⬡ 2,5
505, 517, 802	1,5	⬡ 2,5
546, 908, 916	2,5	⬡ 4
412	4	⬡ 4
902, 904, 907	2,7	⊗ PZ2
106, 107	2,5	⊕ PH2



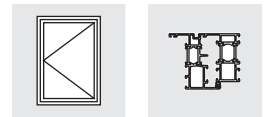
Hardware list

ALU axxent PLUS

Single sash square turn
Hinge side ALU axxent PLUS

Turn ZV

	Item	Pieces	Material description	Material number	VE	Material number	VE				
h.1	100	1	ALU Si-line handle	Only use in combination with coupling set	See ALU handle overview in the SIEGENIA download portal						
	101		ALU Si-line lockable handle								
h.2	102		ALU Globe handle								
	103		ALU GLOBE lockable handle								
h.3	104		TITAN handle					Only use in combination with gear set	□ 7 mm x 25 mm, cam Ø 10 mm only use in combination with gear set		
	105		TITAN lockable handle								
h.4	106		ALU Globe RR handle					Only use in combination with gear set	See Handle ALU Globe RR in the SIEGENIA download portal		
	107	ALU Globe RR lockable handle									
	1	BS ALU axxent PLUS-DK A0004 RH size 1	FB 380 ≤ 600	MMBS0281-10001_	1	MMBS0281-10002_	10				
		A0004 LH size 1	≤ 100 kg	MMBS0282-10001_	1	MMBS0282-10002_	10				
		A0004 RH size 2	FB > 600 ≤ 1600	MMBS0311-10001_	1	MMBS0311-10002_	10				
		A0004 LH size 2		MMBS0312-10001_	1	MMBS0312-10002_	10				
		A0006 RH size 1	FB 380 ≤ 600	MMBS0291-10001_	1	MMBS0291-10002_	10				
		A0006 LH size 1	≤ 100 kg	MMBS0292-10001_	1	MMBS0292-10002_	10				
		A0006 RH size 2	FB > 600 ≤ 1600	MMBS0321-10001_	1	MMBS0321-10002_	10				
		A0006 LH size 2		MMBS0322-10001_	1	MMBS0322-10002_	10				
		219	1	Bottom hinge right/left ALU axxent PLUS	Installation frame						
		220	1	Bottom hinge right/left ALU axxent PLUS	Installation sash						
221	1	Sash hinge BSU right/left ALU axxent PLUS									
222	1	Guiding piece BSU ALU axxent PLUS									
223	1	Deadbolt BS0 right/left ALU axxent PLUS	omitted for MV replacement by item 703								
224	0...1	Top stay size 1 right/left ALU axxent PLUS-DK									
225	0...1	Top stay size 2 right/left ALU axxent PLUS-DK									
944	0...1	Accessory set ALU axxent PLUS A0022	Only use in combination with BS ALU axxent PLUS A0006	MZBS0180-10001_	1	MZBS0180-10006_	100				
	0...1	Accessory set ALU axxent PLUS	> 100 kg	-	-	MZBS0130-00003_	20				
902	1	Countersunk screw M5 x 13									
916	1	Long stop									
	1	VS ALU-D stop/corner drive VSO		MMVS0410-10001_	1	MMVS0410-10003_	20				
502	2	Clamping piece EUL									
503	1	VSO corner drive									
505	2	Striker									
513	1	Run-up block									
514	1	TBT run-up block									
546	1	Stop	From FB > 1250 mount horizontally								
600	1	Coupling bracket	only use in combination with h.1/h.2								
751	1	Locking bolt									
908	2	Cheese head screw M5 x 12	only use in combination with h.1/h.2								
	0...1	Sash brake ALU axxent PLUS short	FB > 850 ≤ 1000 > 130 kg	MSBR0150-10001_	1	MSBR0150-10005_	50				
		Sash brake ALU long	FB > 1000 ≤ 1600 > 130 kg	MSBR0120-10001_	1	MSBR0120-10005_	50				
811	1	Spring									
812	1	Top hinge block									
813	1	Stop									
814	1	Filling piece for end position cushioning									
816	0...1	Sash brake ALU axxent short									
817	0...1	Sash brake ALU long									

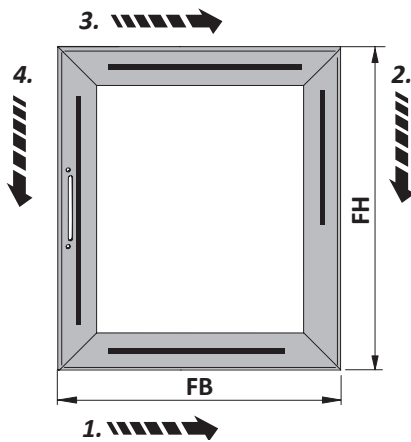


	Item	Pieces	Material description	Material number	VE	Material number	VE
h.3 h.4		0...1	ALU gear set	Only use in combination with h.3/h.4 (see SIEGENIA download-portal)	MMGI0090-10001_	1	MMGI0090-10003_ 20
	620	1	M6 ESG				
	904	2	Countersunk screw M5 x 35				
	907	2	Coupling screw M6				
depending on system		1	MV ALU-VS/BS axxent PLUS	Sash height > 1250	MMMV0060-10001_	1	MMMV0060-10003_ 20
	505	3	Striker				
	700	1	Slider				
	702	1	Corner drive axxent BSO ALU axxent PLUS				
	703	1	Coupling piece BSO MV ALU axxent PLUS				
		0...3	Locking part ALU	FH > 2400	-	-	317556 20
	412	1	Locking cam				
	413	1	Eccentric rivet				
	505	1	Striker				
		0...1	MV ALU-DK/TBT (VSU)	FB > 1250	857045	1	246979 20
	505	2	Striker				
	700	1	Slider				
701	1	VSU/BSO corner drive					

Accessories

	802	0...1	Sash lifter ALU	see SIEGENIA Down-load portal	MMFH0010-10001_	1	MMFH0010-10003_ 20
	915	0...1	ALU handle support	only use for h.1/h.2	-	-	(see table) 200
	-	0...1	Adjusting piece AV grey (± 0.5)	see ALU maintenance instructions	-	-	MHDR0030-09705_ 50

Observe assembly sequence!

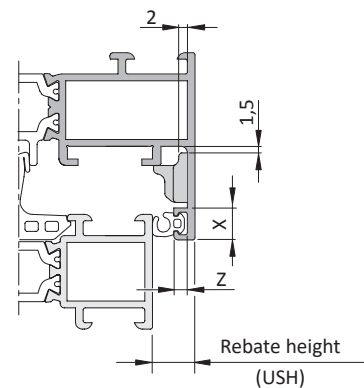


sequence of installation in the sash:

- without centre lock (3. -4.)
- with centre lock (1. -2. -3. -4.)

Design variations for handle support (item 915) (h.1/h.2)

USH (mm)	Z (mm)	X	
		≤ 7 mm	> 7 ≤ 8,5 mm
7 - 10	≤ 2	MFHA0010-10020_	MFHA0010-10020_
	> 2 ≤ 3		MFHA0020-10020_
	> 3		-
12	-	MFHA0030-10020_	-





ALU axxent PLUS-D/DS assembly instructions see Document Nr.: H39.axntLS002EN

ASSEMBLY INSTRUCTIONS

SIEGENIA[®]
brings spaces to life

ALU

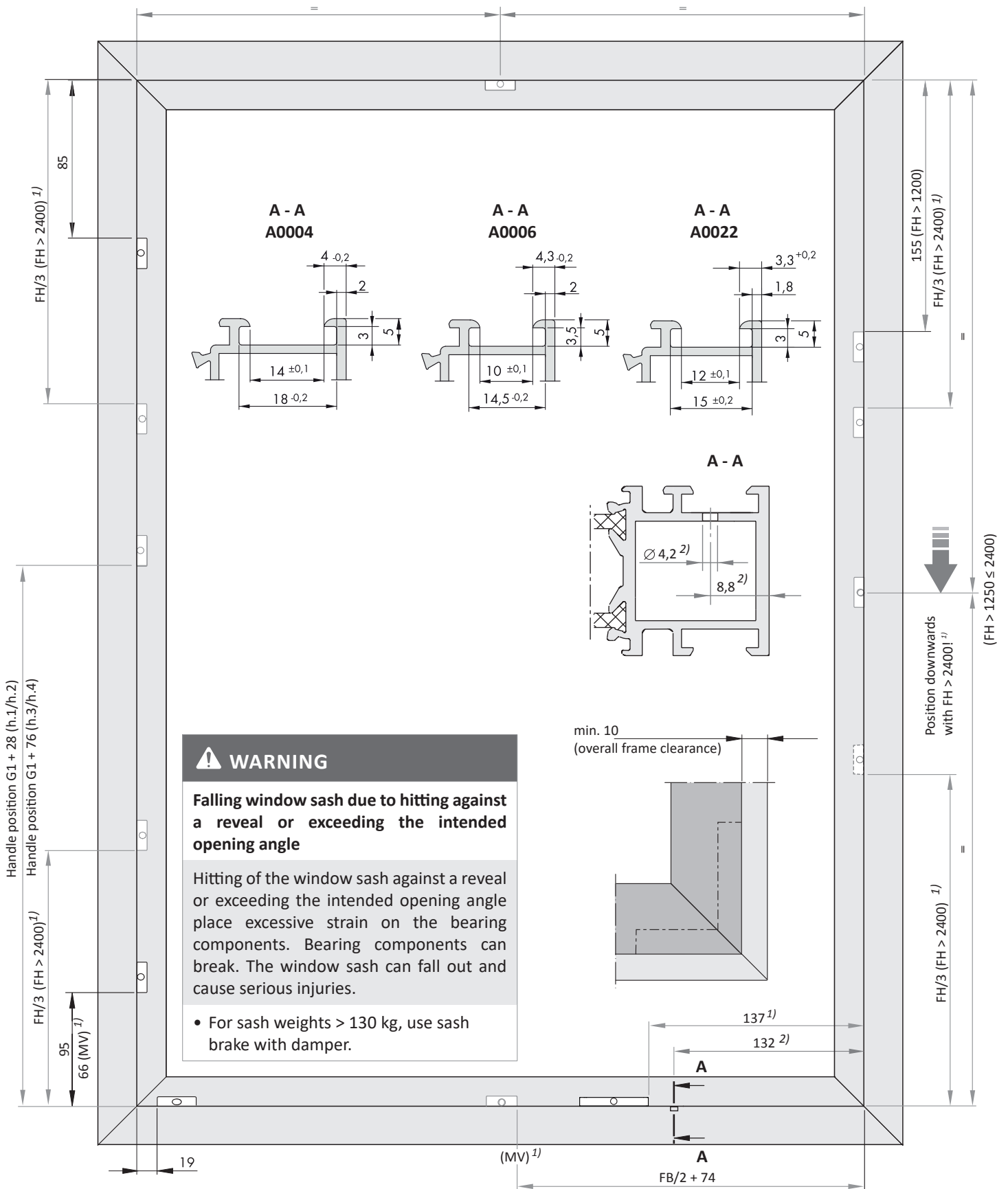
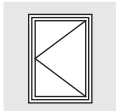
axxent PLUS

Assembly instructions:
ALU axxent PLUS-D/DS

Window systems

Door systems

Comfort systems



1) See page 3 and 4 for installation of the centre locks and additional locks.

2) Hole Ø 4.2 from sash weight >100 kg (for item. 902).

After the installation of the bottom hinge, drill through the the bottom hinge casing with a Ø 4.2 drill.