

ALU

axxent PLUS

Assembly and disassembly instructions:
ALU axxent PLUS-DK/TBT

Window systems

Door systems

Comfort systems

Content

| | | | | | |
|----|---|----|----|------------------------------------|----|
| 1 | TARGET GROUP OF THIS DOCUMENTATION | 3 | 23 | REMOVING THE ADJUSTING PIECE | 11 |
| 2 | PRODUCER AND SERVICE..... | 3 | | | |
| 3 | IMPORTANT INFORMATION | 3 | | | |
| 4 | DIMENSION | 3 | | | |
| 5 | EXPLANATION OF SYMBOLS | 3 | | | |
| 6 | VIDEO ABOUT ASSEMBLY INSTRUCTIONS .. | 4 | | | |
| 7 | ASSEMBLY OF ALU LOCKING PART..... | 4 | | | |
| 8 | LOOSENING THE LOCKING CAM | 4 | | | |
| 9 | PERFORMING THE ADJUSTABLE COMPRESSION | 4 | | | |
| 10 | SECURING THE LOCKING CAM | 4 | | | |
| 11 | CLAMPING THE BSU BOTTOM HINGE IN THE FRAME GROOVE..... | 5 | | | |
| 12 | INSTALLATION OF THE BSU SASH HINGE.. | 5 | | | |
| 13 | CLIPPING ADAPTER A0022 ONTO BS ALU AXXENT PLUS A0006 | 6 | | | |
| 14 | POSITIONING THE STAY..... | 6 | | | |
| 15 | FIXING THE STAY..... | 6 | | | |
| 16 | POSITIONING THE CONTROL ARM IN THE FRAME ON THE BSU..... | 7 | | | |
| 17 | LIFT-ON OF SASH ON THE BSU | 7 | | | |
| 18 | POSITIONING THE SASH IN THE BOTTOM HINGE IN THE FRAME | 7 | | | |
| 19 | LIFT-ON OF SASH ON THE BSO | 8 | | | |
| 20 | LIFT-OFF OF SASH ON THE BSO..... | 9 | | | |
| 21 | LIFT-OFF OF SASH ON THE BSU | 10 | | | |
| 22 | REMOVING THE SASH FROM THE BSU ... | 10 | | | |

1 Target group of this documentation

- This documentation is intended for use by specialists only. All work described in this document must be performed by experienced professionals with training and practice in the assembly, installation and maintenance of window hardware as the safe and professional assembly of the hardware is not possible without the relevant expertise.

2 Producer and service

- SIEGENIA-AUBI KG**
 A company of the SIEGENIA GROUP
 Tel.: +49 271 3931-0
 Fax: +49 271 3931-333
 E-mail: info@siegenia.com
- Industriestr. 1-3
 57234 Niederdielfen
 Please contact your retail partner in case of complaints or service requirement.

3 Important information

- Your windows/patio doors are equipped with high-quality **SIEGENIA** hardware. To ensure that the ease of movement and proper functioning is retained for as long as possible, we recommend that the following maintenance and inspection work is carried out at regular intervals (at least once a year, twice a year in school and hotels).
- You can find further information on the maintenance and inspection in the "Directives of the Trade Organisation for Locks and Fittings (Gütegemeinschaft Schlösser und Beschläge e.V.)" (<http://www.beschlagindustrie.de/ggsb/richtlinien.asp>). Richtlinien der Gütegemeinschaft Schlösser und Beschläge e. V. document Nr. H45.4200LS001EN <https://downloads.siegenia.com/en/00003/index.html>
- Basic safety notes Document Nr. H45.5200LS001EN <https://downloads.siegenia.com/en/00003/index.html>
- ALU maintenance instructions: document Nr. H49.ALUS001EN
- ALU service instructions: documents Nr. H47.ALUS001EN
- ALU operating instructions: document Nr. H47.ALUS002EN

4 Dimensions

- All the dimensions in this documentation are specified in mm.

5 Explanation of symbols



Observe note!



Observe warning note!



6 Video about assembly instructions

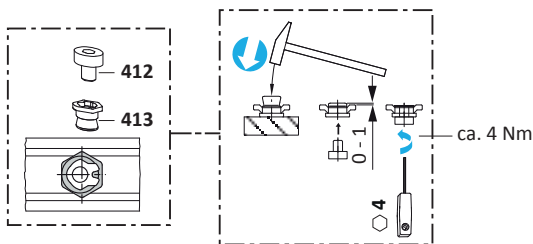


1. You can see the current video about assembly instructions here: <http://werkbank.siegenia.com/en/index.html>



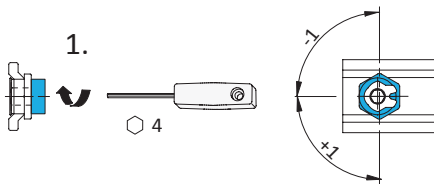
Prior to assembly, clean the frame and sash groove of glue and fabrication residue

7 ASSEMBLY of ALU locking part



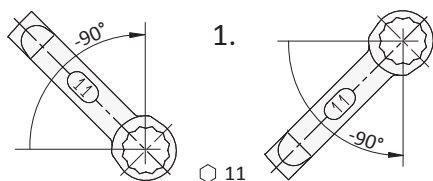
1. After the assembly steps 1, 2 and 3, as shown in the adjacent figure, connect the eccentric rivet (413) to be force locking with the operating rod and locking cam (412).

8 Loosening the locking cam



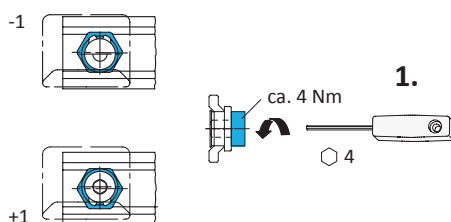
1. Turn the locking cam in the direction of the arrow and loosen the eccentric rivet.

9 Performing the adjustable compression



1. Turn locking cam using SW 11 mm ring spanner and perform adjustable compression.

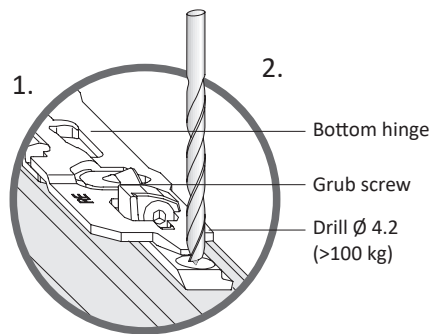
10 Securing the locking cam



1. Turn the eccentric rivet in the direction of the arrow and secure the locking cam.



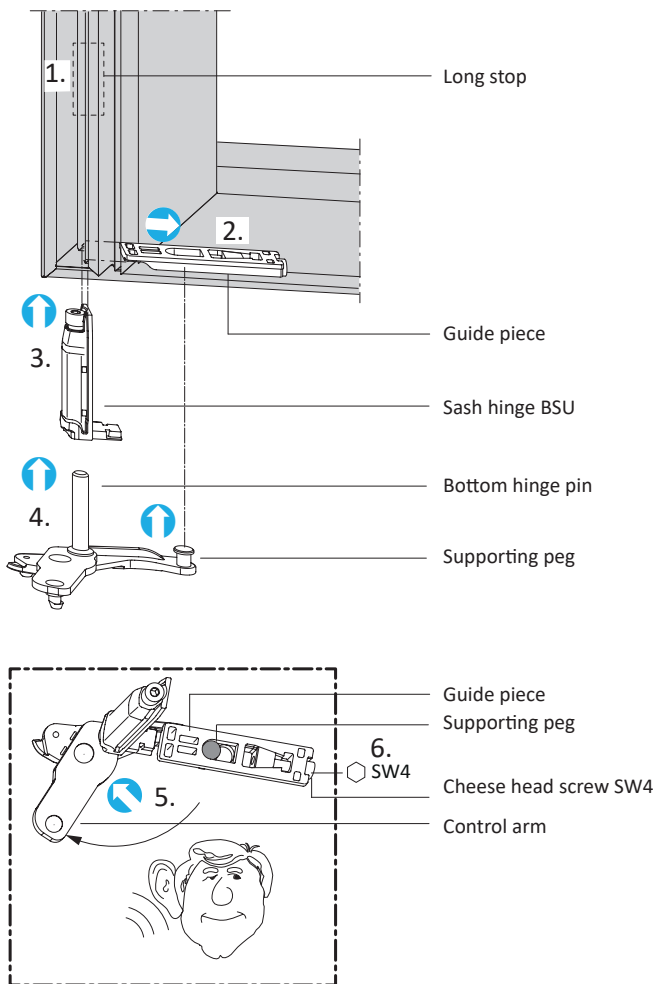
11 Clamp the BSU bottom hinge in the frame groove



1. Lay the bottom hinge flush in the frame groove and clamp it firmly into place with the pre-assembled grub screws (torque 2.5 ± 0.25 Nm and SW 2.5).

2. With sash weight >100 kg: drill through the recess of the bottom hinge into the frame and fix the bottom hinge with the countersunk screw M5 x 13 (without illustration) in the frame (torque 2.7 ± 0.25 Nm and PZ2).

12 Installation of the BSU sash hinge



Click!

1. For sash weight > 100 kg: push long stop vertically into the sash profile on the BSU as shown in the adjacent figure.

2. Push guiding piece horizontally into the sash profile.

3. Push BSU sash hinge vertically into the sash profile.

4. Push bottom hinge pin vertically into the BSU sash hinge.

5. Push the supporting peg vertically into the guiding piece.

6. Turn the control arm in the direction of the arrow and ensure that the supporting peg audibly engages into the guiding piece (click sound).

7. Tighten the cheese head screw in the guiding piece only as far as when the guiding piece can no longer be shifted by the control arm in the sash.



-Check that the supporting peg is firmly seated in the guiding piece!

WARNING

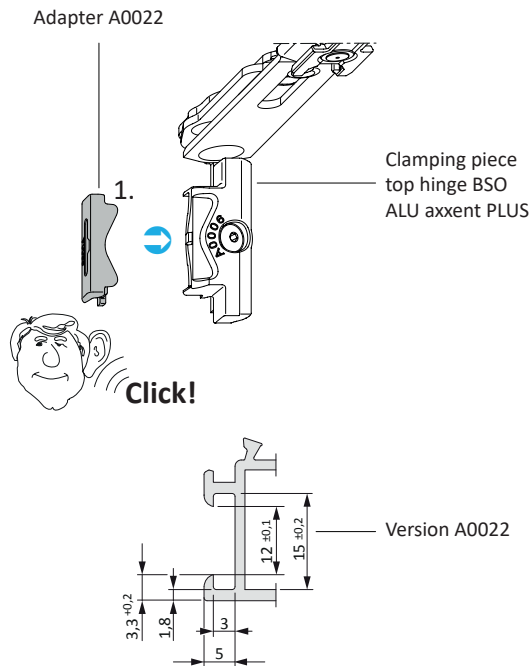
Window sash falling out due to a tightened cheese head screw

A tightened cheese head screw leads to destruction of the guiding piece during operation of the window. A destroyed guiding piece strains the bearing components excessively. Bearing components could break. The window sash could fall out and cause severe injuries.

- Loosen the cheese head screw.

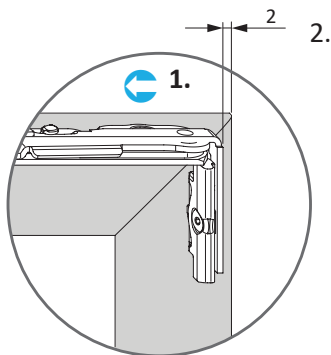


13 Clipping adapter A0022 onto BS ALU axxent PLUS A0006



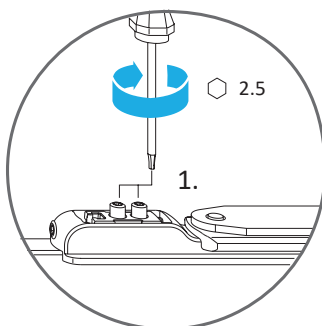
1. Clip adapter A0022 onto the clamping piece top hinge BSO ALU axxent PLUS A0006.

14 Positioning the stay



1. Bring the stay into the closed position and push the stay into the sash profile.
2. It is essential to maintain a distance of 2 mm from the stay to the sash rebate.

15 Fixing the stay



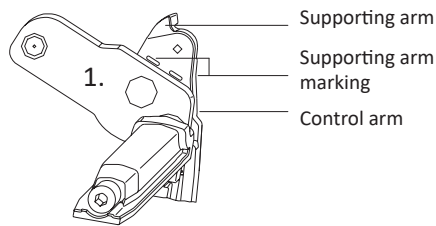
1. Break through the groove base of the sash groove by turning the grub screws.



Tighten the grub screw, but do not overtighten.

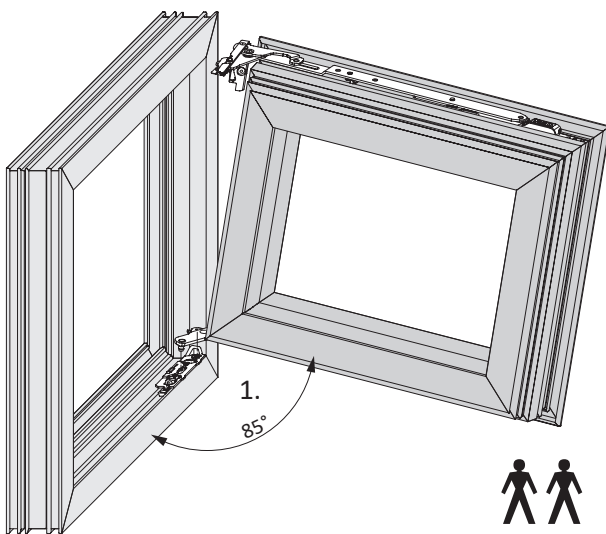


16 Positioning the control arm in the frame on the BSU



1. Position the control arm so that it is parallel to the supporting arm marking, this makes it easier to put the window sash into the bottom hinge.

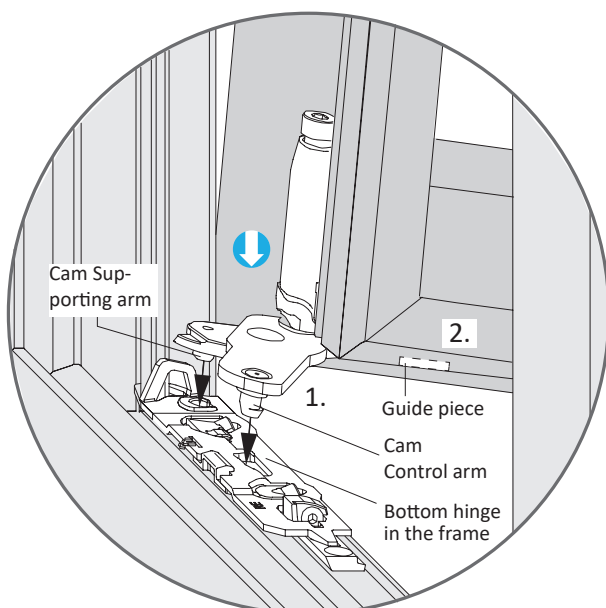
17 Lift-on of sash on the BSU



At least two persons are needed to install the window sash.

1. Hold the sash, with a slight downward incline, at an opening angle of approx. 85°.

Positioning the sash in the bottom hinge in the frame



1. Place the window sash in the bottom hinge in the frame by pushing the cam of the supporting arm and the control arm into the intended striker packer in the bottom hinge.
2. Loosen the cheese head screw in the guiding piece before you continue!

WARNING

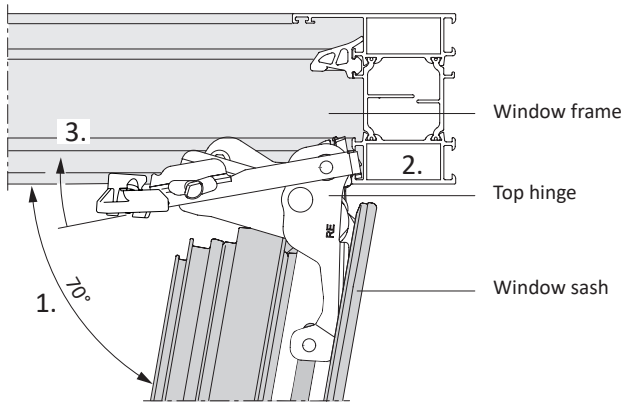
Window sash falling out due to unsecured cam

Cams which are not hooked into the support arm and control arm of the sash could slip out of the bottom hinge of the frame. The window sash could fall out and cause severe injuries.

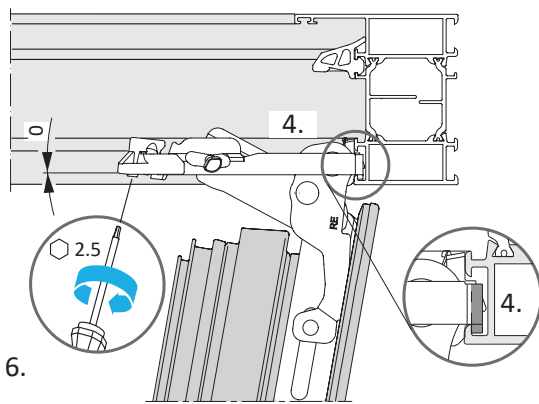
- Hook the cam into the bottom hinge and check that it is firmly seated.



18 Lift-on and installation of the sash on the BSO



1. Turn the window sash in an opening angle of approx. 70°.
2. Mount the top hinge in the vertical frame groove.
3. Turn the top hinge inwards (direction of the window frame).



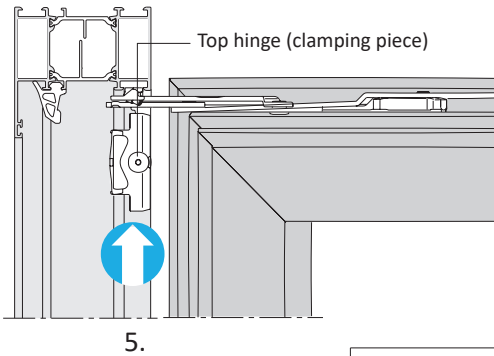
4. Insert the top hinge to be positive locking in the frame groove.

WARNING

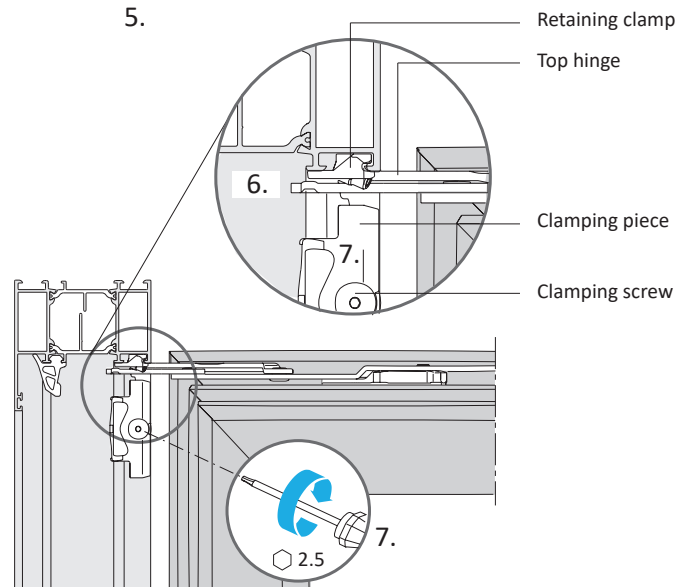
Window sash falling out due to incorrectly positioned top hinge

In case of incorrect installation position, the top hinge could loosen itself from the frame groove. The window sash could fall out and cause severe injuries.

- Position the top hinge to be positive locking in the frame groove.



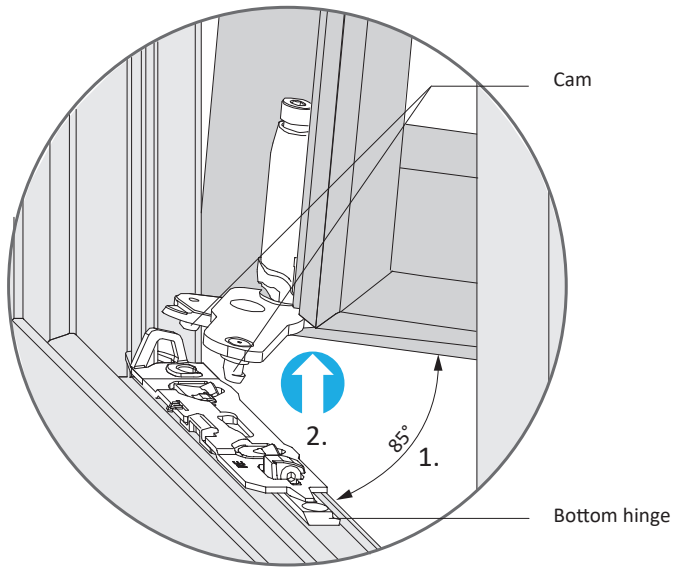
5. Push the top hinge upwards with the pre-installed clamping piece until the top hinge is positioned at the top frame-groove edge.



6. Straighten the retaining clamp in the frame groove and clamp this tightly with the pre-installed grub screw (torque 2.5 ± 0.25 Nm, SW 2.5).
7. Check the seating of the top hinge on the top frame groove edge and then pin the clamping piece tightly with the pre-installed clamping screw (torque 2.5 ± 0.25 Nm, SW 2.5).

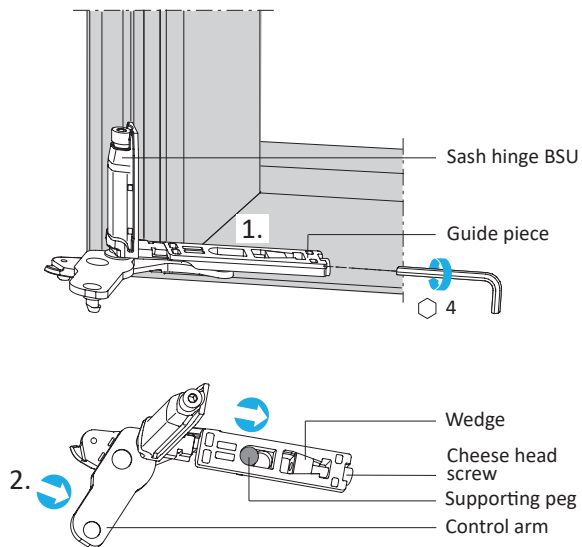


20 Lift-off of sash on the BSU



1. Hold the sash, with a slight downward incline, at an opening angle of approx. 85°.
2. Lift the window sash until the cams on the supporting and control arm can be disengaged from the bottom hinge.

21 Removing the sash from the BSU



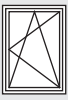
Lay the dismantled window sash on a stable surface for the following work.

1. Swivel out the control arm completely. Tighten the cheese head screw in the guiding piece until the guiding piece can no longer be shifted by the control arm in the sash.

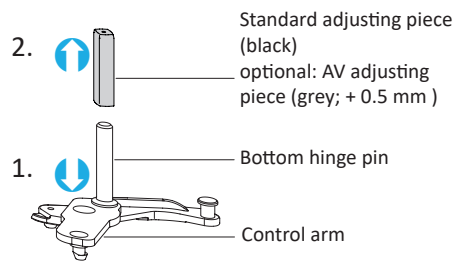


The clamping unit in the guiding piece is purely an installation or dismantling aid. It guarantees the proper installation of the hardware components to the BSU and must not be used for the turn resistance of the sash!

2. Press the control arm against the wedged guiding piece until the supporting peg is released from its engagement position.



22 Removing the adjusting piece



1. Pull the control arm completely out of the sash hinge and guiding piece.
2. The adjusting piece can now be separated from the bottom hinge pin and replaced. (If the adjusting piece is to remain in the sash hinge, remove it from its position with the aid of an appropriate tool; e.g. a wire hook).



-When installing the adjusting piece and the bottom hinge pin, ensure adequate lubrication with acid-free grease according to the information in the service instructions, Doc. Nr.H47.ALUS001.

-The cheese head screw in the the guiding piece must be completely released once again for reinstallation.