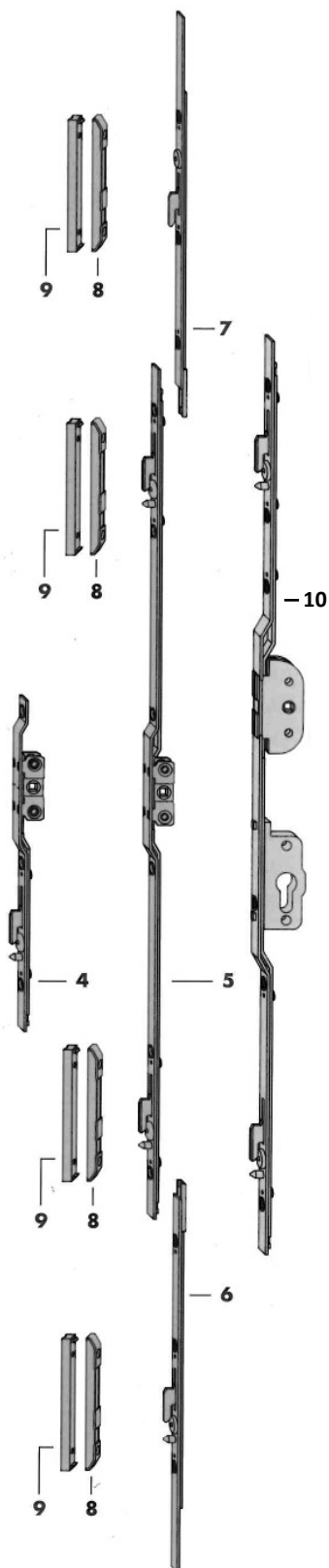


Siegenia CS Sliding System

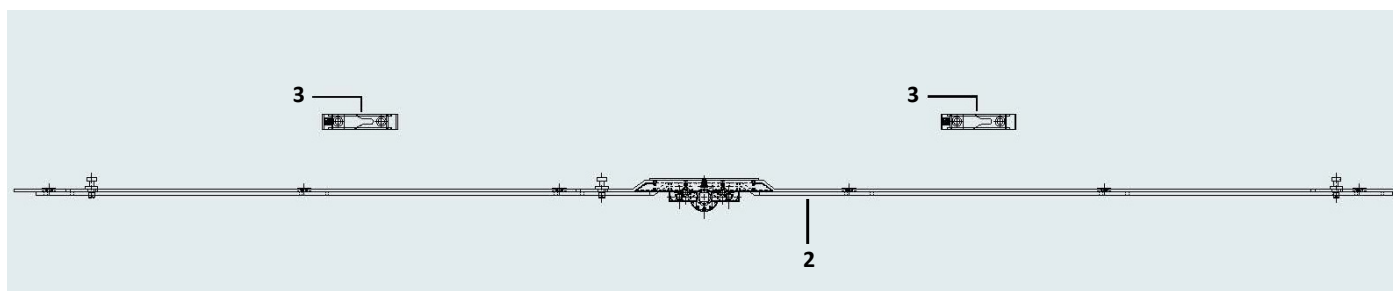
Product information

Sliding gears, extensions and strikers.



Product code	Description	Image No	Profile	Packaging unit
702611	Short gear CS	4	-	10
702628	Gear CS 100	5	-	10
702802	Gear CS PZ	10	-	10
718797	Top locking bolt	7	-	10
PGZD0050-100020	Bottom locking bolt	6	-	50
702987	Striker plate	8	timber	100

CS Sliding Gear with Cam

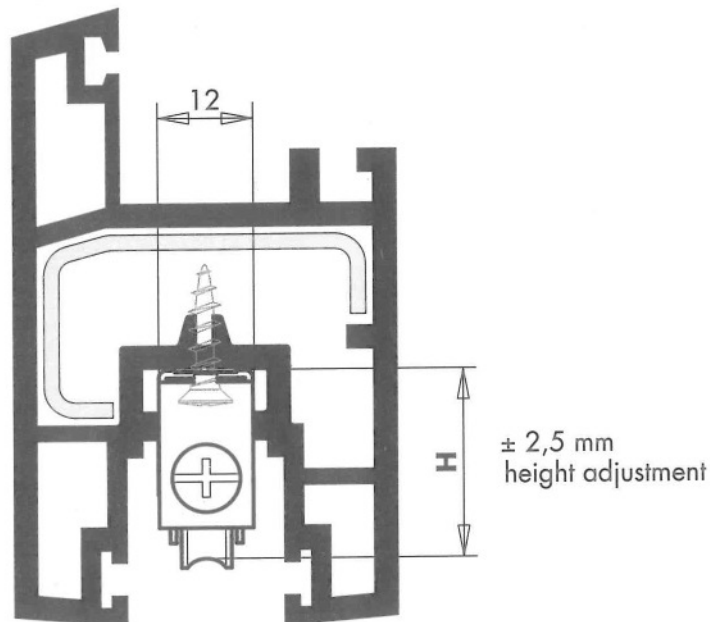


Product code	Description	Reference	Cams	Sash height (mm)	Locking point number	Packaging unit
PCGD8000-100040	8mm/CS gear - GR 40	2	2	400 - 600	2	25
PCGD8010-100040	8mm/CS gear - GR 60	2	2	601 - 800	2	25
PCGD8020-100040	8mm/CS gear - GR 80	2	2	801 - 1000	2	25
PCGD8030-100040	8mm/CS gear - GR 100	2	2	1001 - 1200	2	25
PCGD8040-100040	8mm/CS gear - GR 120	2	3	1201 - 1400	3	25
PCGD8050-100040	8mm/CS gear - GR 140	2	3	1401 -	3	25
NRTD00030-100060	Striker KF CS A2201 TS AU	3	-	-	-	100

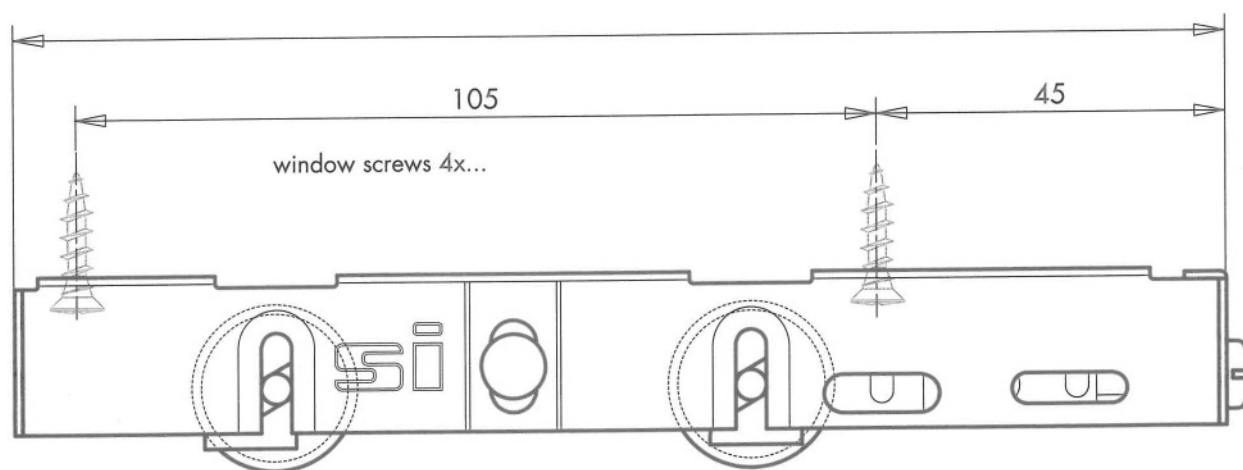
Siegenia CS80 Bogie

Product information

Ball bearing wheels to suit tracks of radius R2 - R2.5mm, load capacity maximum 80kg per pair.



Dimensions in mm

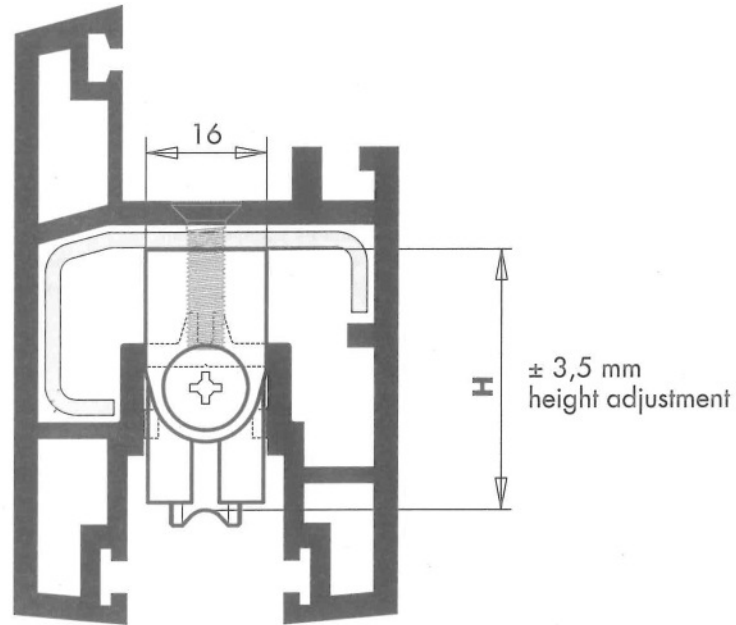


Product code	Description	Dim. H (in mm)	Material	Packaging unit
PLWD0010-000010	Bogie CS 80kg	21	stainless steel	10
PLWD0040-000010	Bogie CS 80kg	24.5	stainless steel	10
PLWD0080-000010	Bogie CS 80kg	17.5	stainless steel	10

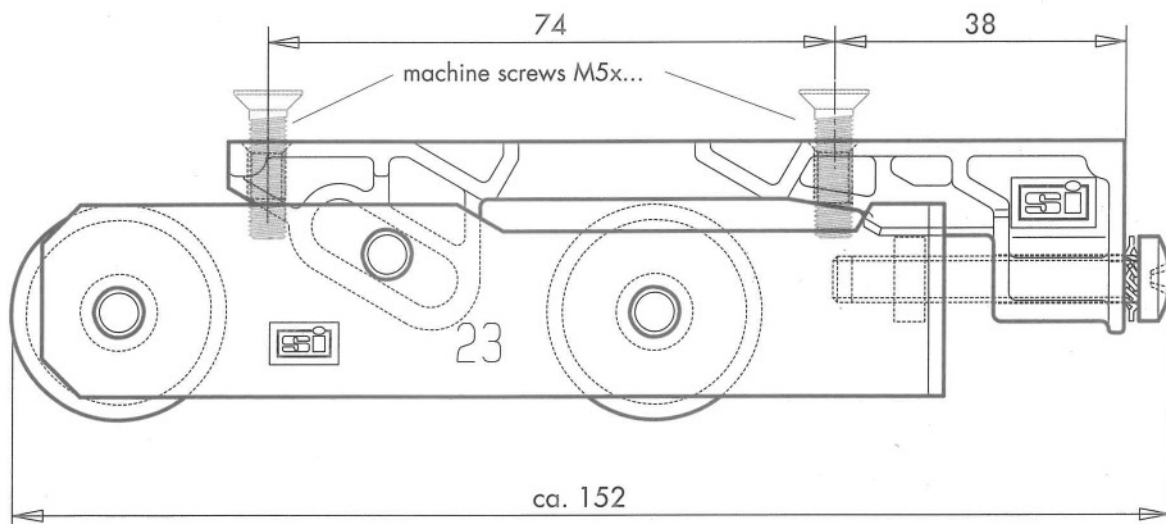
Siegenia 150 Bogie

Product information

Ball bearing wheels to suit tracks of radius R2 - R2.5mm, load capacity maximum 150kg per pair.



Dimensions in mm



Product code	Description	Dim. H (in mm)	Material	Packaging unit
828298	Bogie CS 150kg	44.5	stainless steel	20
828304	Bogie CS 150kg	37.5	stainless steel	20

Siegenia MSA400 Smart Slide Automation



Application:

The MSA400 smart is a motorised slide drive for installation on sash profiles and upper frame profiles.

- Suitable for max. sash weight of approx. 400 kg incl. glass pane (max. 250 kg per sash for scheme E)
- Scheme A inside frame width (RIB): 1,775 mm – 6,666 mm with symmetrical split (installation on asymmetrical elements on request)
- Space required at top of frame approx. 45 mm. The slide drive can be moved downwards (dependent on profile)

Function:

- The MSA400 smart allows you to open and close sliding door elements with ease at the touch of a button.

Unit properties:

- Movement of sliding door elements (soft start and stop)
- Jam protection via current limiter, “deadman control” is not required
- Wheelchair-accessible design and operation in accordance with DIN 18025 and DIN 18030 possible (flat threshold required)
- No restriction on entrance height
- For universal use, regardless of hardware manufacturer
- Plug-and-play principle: unpack – screw on – automatic teach-in – ready for operation
- Simple manual emergency operation in the event of a power failure
- Integrated 24 V power supplies: plug-and-play ready for retrofitting
- High level of functional reliability: tested with 400 kg for more than 25,000 switching cycles
- Available in a natural (unpainted) finish so your own coating can be applied – paint finish in all RAL and NCS colours subject to additional charge
- Internationally valid CB certified
- Force limit in accordance with DIN 60335-2-103
- Can be operated with the SIEGENIA Comfort app* as standard
- Optional infrared remote control
- Optional design to meet additional safety requirements, pre-equipped for a light curtain
- The fitting of an additional locking motor (not included in the scope of delivery) enables automatic locking/release and movement of sliding door elements (soft start and stop)