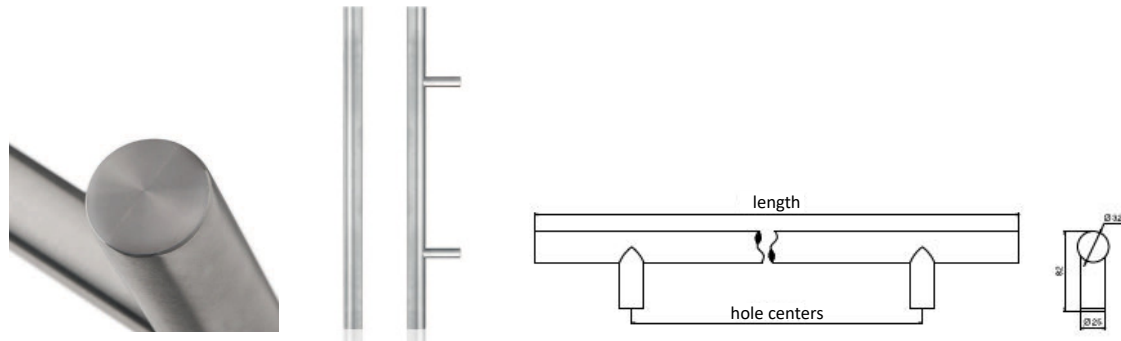


### blaugelb Round Pull Bar - 90 deg Support

**Product information**

Door handle with 90° straight support made of stainless steel, suitable for a one-sided door or for mounting in pairs on doors. Consists of a stainless steel tube with a diameter of 32 mm, available in a variety of lengths.

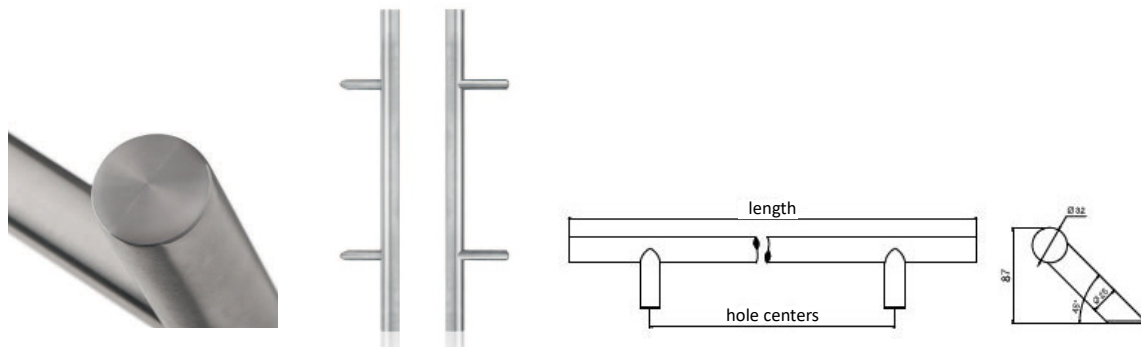


Product code	Description	Length	Hole Dimension	Material	Finish
0421851	Round pull bar - 90 deg support	400mm	200mm	stainless steel	fine matt
0421855	Round pull bar - 90 deg support	800mm	600mm	stainless steel	fine matt
0421857	Round pull bar - 90 deg support	1200mm	1000mm	stainless steel	fine matt
0421859	Round pull bar - 90 deg support	1600mm	1400mm	stainless steel	fine matt

### blaugelb Round Pull Bar - 45 deg Support

**Product information**

Stainless steel door handle with 45° inclined support, suitable for a one-sided door or for mounting in pairs on doors. Consists of a stainless steel tube with a diameter of 32 mm, available in a variety of lengths.

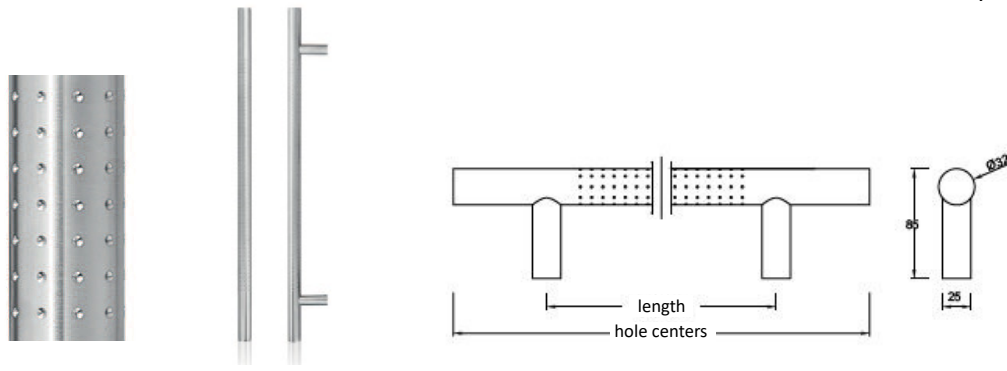


Product code	Description	Length	Hole Dimension	Material	Finish
0421826	Round pull bar - 45 deg support	400mm	200mm	stainless steel	fine matt
0421843	Round pull bar - 45 deg support	800mm	600mm	stainless steel	fine matt
0421845	Round pull bar - 45 deg support	1200mm	1000mm	stainless steel	fine matt
0421847	Round pull bar - 45 deg support	1600mm	1400mm	stainless steel	fine matt

## blaugelb Round Pull Bar with Mill Dots - 90 deg Support

### Product information

Featuring milled points and 90° straight support made of stainless steel, the door handle is suitable for a one-sided door or for mounting in pairs on doors. Consists of a stainless steel tube with a diameter of 32 mm, available in a variety of lengths.

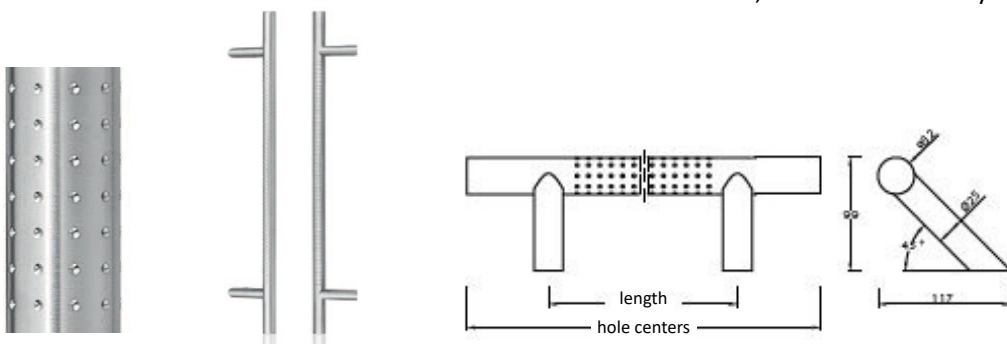


Product code	Description	Length	Hole Dimension	Material	Finish
0424952	Straight pull bar with mill dots - 90 deg support	800mm	600mm	stainless steel	fine matt
0424954	Straight pull bar with mill dots - 90 deg support	1200mm	1000mm	stainless steel	fine matt
0424956	Straight pull bar with mill dots - 90 deg support	1600mm	1400mm	stainless steel	fine matt

## blaugelb Round Pull Bar with Mill Dots - 45 deg Support

### Product information

Featuring milled points and 45° straight support made of stainless steel, the door handle is suitable for a one-sided door or for mounting in pairs on doors. Consists of a stainless steel tube with a diameter of 32 mm, available in a variety of lengths.

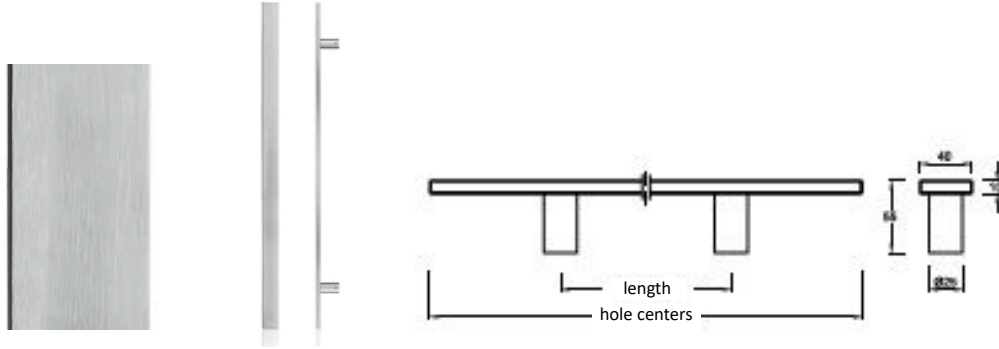


Product code	Description	Length	Hole Dimension	Material	Finish
0424904	Straight pull bar with mill dots - 45 deg support	800mm	600mm	stainless steel	fine matt
0424940	Straight pull bar with mill dots - 45 deg support	1200mm	1000mm	stainless steel	fine matt
0424942	Straight pull bar with mill dots - 45 deg support	1600mm	1400mm	stainless steel	fine matt

### blaugelb Flat Pull Handle - 90 deg Support

**Product information**

Stainless steel door handle with 90° straight support features a flat front view, suitable for a one-sided door or for mounting in pairs on doors.

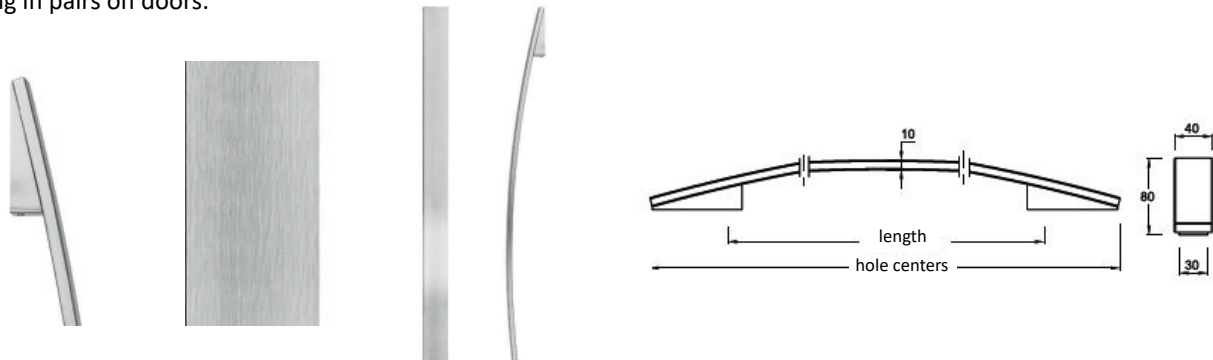


Product code	Description	Length	Hole Dimension	Material	Finish
0424963	Flat pull bar - 90 deg support	800mm	600mm	stainless steel	fine matt
0424965	Flat pull bar - 90 deg support	1200mm	1000mm	stainless steel	fine matt

### blaugelb Curved Flat Pull Handle - 90 deg Support

**Product information**

Stainless steel curved door handle with 90° straight support features a flat front view, suitable for a one-sided door or for mounting in pairs on doors.

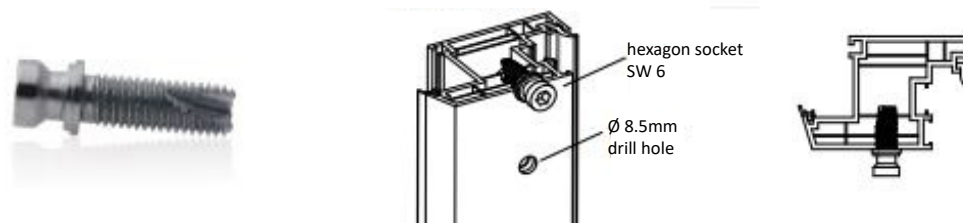


Product code	Description	Length	Hole Dimension	Material	Finish
0424966	Curved flat pull bar	1000mm	840mm	stainless steel	fine matt

## blaugelb Fixing Kit for Pull Handle - Single Sided

### Product information

For single sided invisible fixing on timber and uPVC doors. The fastening set is made of hardened, galvanized steel and is very easy to install due to its hexagon socket and self-tapping application.



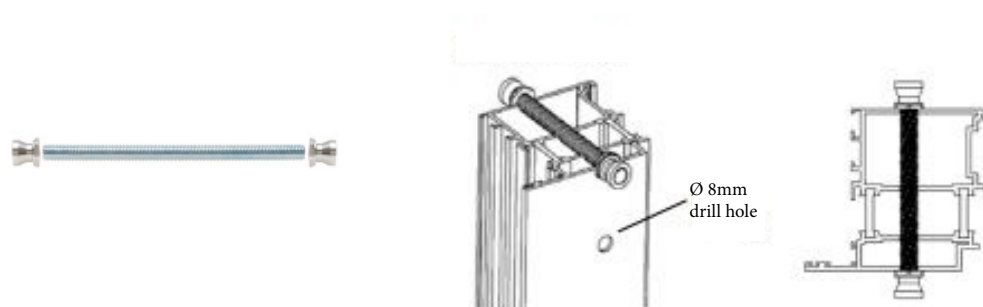
Product code	Material	System	Fixing of handle	Packaging unit
9071855	Galvanised steel / brass	uPVC	single sided	1 set
10400000012	Galvanised steel / brass	timber	single sided	1 set

## blaugelb Fixing Kit for Pull Handle - Double Sided

### Product information

The blaugelb adapters T02 are used for continuous fastening of door handles on uPVC, timber and metal doors. In conjunction with the blaugelb threaded rod M8x120 mm, which is adapted to the door thickness, the blaugelb door handles can be mounted on both sides of the blaugelb adapter T02. A conventional open-ended spanner with a key size 13 can be used to tighten the blaugelb adapter T02 onto the door.

Door thickness up to 80 or 95mm, for 1 pair handles with 4 fixing points.



Product code	Material	Quantity	Packaging unit
0428045	T02 adapter	1 pair	1 set
0428046	T02 all thread	1 pair	1 set