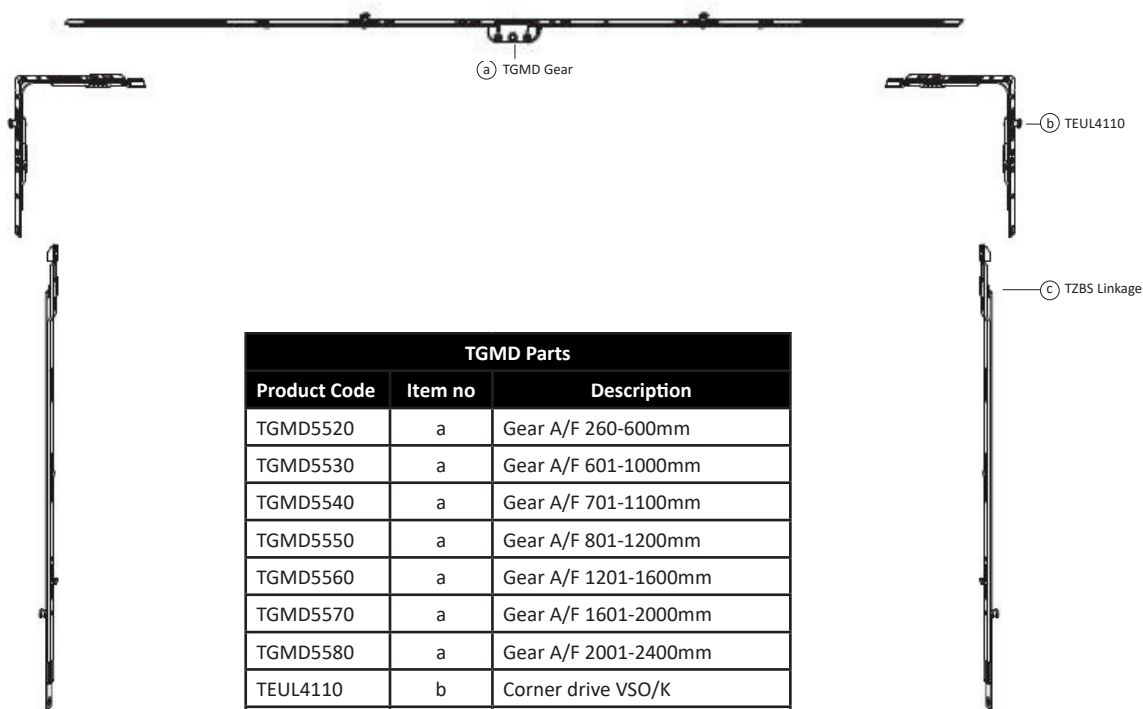


Siegenia TGMD Outward Opening System

Product information

Outward opening window system with gear, corner drives, extension options and striker.

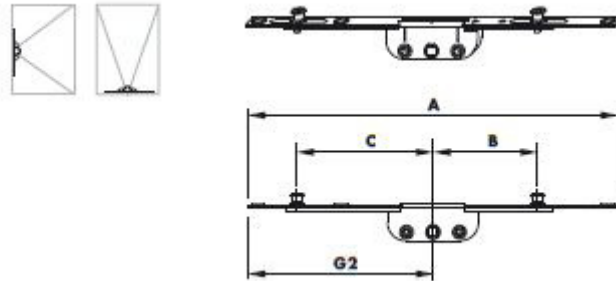


TGMD Parts		
Product Code	Item no	Description
TGMD5520	a	Gear A/F 260-600mm
TGMD5530	a	Gear A/F 601-1000mm
TGMD5540	a	Gear A/F 701-1100mm
TGMD5550	a	Gear A/F 801-1200mm
TGMD5560	a	Gear A/F 1201-1600mm
TGMD5570	a	Gear A/F 1601-2000mm
TGMD5580	a	Gear A/F 2001-2400mm
TEUL4110	b	Corner drive VSO/K
TZBS0180	c	Linkage 304mm
TZBS0190	c	Linkage 504mm
TZBS0200	c	Linkage 800mm
TRSY0070	-	Outward opening striker

Siegenia TGMD Awning & Casement Gear - Non Extendable

Product information

Outward opening gear with 22mm backset. Non extendable.

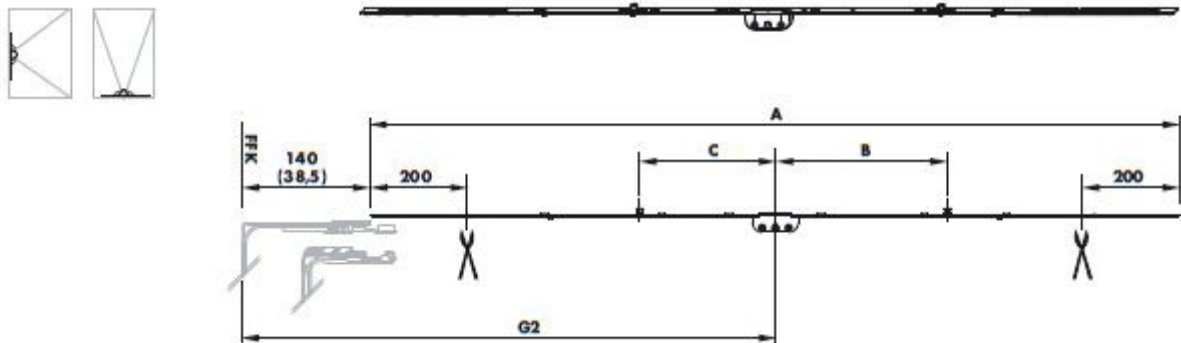


Product code	Description	Dimensions (mm)						
		FFH	G2	A	Cams	Screws	Packaging unit	
TGMD5510-100010	Gear AF/DF 22 RLS sz 10 2RS	330-800	130-300	300	2	3	25	

Siegenia TGMD Awning & Casement Gear

Product information

Outward opening gear with 22mm backset. Ability to couple with corner drives and extensions.

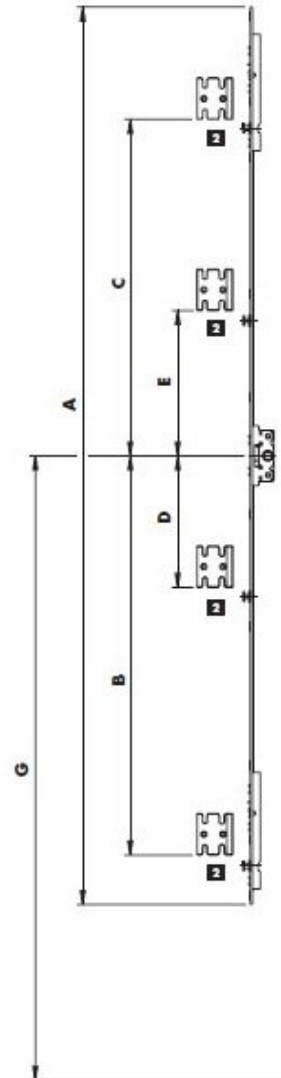
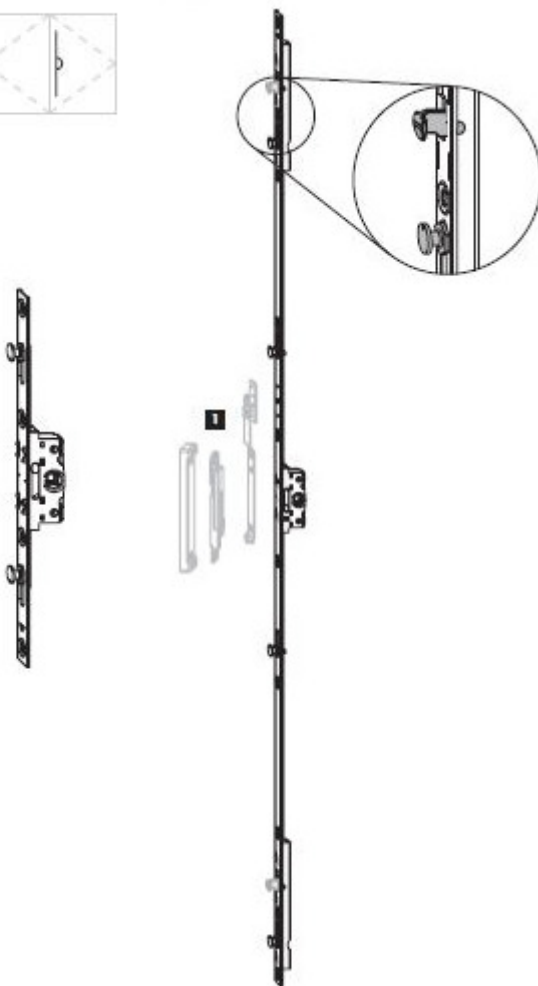
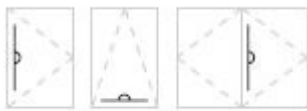


Product code	Description	FFH	G2	Dimensions (mm)						
				A	B	C	Cams	Screws	Packaging unit	
TGMD5520-100010	Gear AF/DF 22 RLS sz 20 2RS TS	260-600	130-300	630	-	-	0	0	25	
TGMD5530-100010	Gear AF/DF 22 RLS sz 60 2RS TS	601-1000	300-500	720	-	-	0	2	25	
TGMD5540-100010	Gear AF/DF 22 RLS sz 70 2RS TS	701-1100	350-550	820	80	-	1	2	25	
TGMD5550-100010	Gear AF/DF 22 RLS sz 80 2RS TS	801-1200	400-600	920	80	-	1	3	25	
TGMD5560-100010	Gear AF/DF 22 RLS sz 120 2RS TS	1201-1600	600-800	1320	280	220	2	6	25	
TGMD5570-100010	Gear AF/DF 22 RLS sz 160 2RS TS	1601-2000	800-1000	1720	392	408	2	7	10	
TGMD5580-100010	Gear AF/DF 22 RLS sz 200 2RS TS	2001-2400	1000-1200	2120	392	408	2	9	10	

Siegenia CGMD Awning & Casement Gear

Product information

22mm backset drive gear, 8mm cam height.

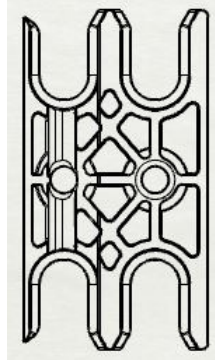


Product code	Description	FFH (mm)	Dimensions (mm)						G	Backset (mm)	Cams	Screws	Packaging unit
			A	B	C	D	E						
CGMD5250-100010	Gear DF 22 GR 30 2S	300-450	250	78	73	-	-	125-200	22	2	4	25	
CGMD5320-100011	Gear DF 22 SZ 45 2S 2H	460-650	400	150	73	-	-	200-300	22	2	6	25	
CGMD5330-100010	Gear DF 22 SZ 45 2S 2H	651-850	600	250	173	-	-	300-400	22	2	8	25	
CGMD5340-100010	Gear DF 22 SZ 45 2S 2H	851-1050	800	350	273	-	-	400-500	22	2	8	25	
CGMD5350-100010	Gear DF 22 SZ 45 2S 2H	1051-1200	100	450	373	144	164	500-600	22	4	10	25	
CGMD5360-100010	Gear DF 22 SZ 45 2S 2H	1201-1400	1140	520	443	144	164	600-700	22	4	12	25	
CGMD5010-100010	Gear DF 20 GR 30 2S	300-450	250	78	73	-	-	125-200	20	2	4	25	
CGMD5080-100010	Gear DF 20 GR 45 2S 2H	450-650	400	150	73	-	-	200-300	20	2	6	25	
CGMD5090-100010	Gear DF 20 GR 65 2S 2H	651-850	600	250	173	-	-	300-400	20	2	8	25	
CGMD5100-100010	Gear DF 20 GR 85 2S 2H	851-1050	800	350	273	-	-	400-500	20	2	8	25	
CGMD5110-100010	Gear DF 20 GR 105 4S 2H	1051-1200	1000	450	373	144	164	500-600	20	4	10	25	
CGMD5120-100010	Gear DF 20 GR 120 4S 2H	1201-1400	1140	520	443	144	164	600-700	20	4	12	25	

Siegware TGMD Awning & Casement Strikers

Product information

Security striker for TGMD gears.

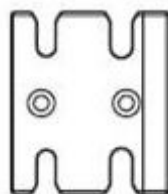


Product code	Description	System	Profile	Packaging unit
TRSY0070	Outward opening striker	timber & uPVC	Deceuninck Kommerling Aluplast Ideal 4000	100

Siegenia Awning & Casement Strikers

Product information

Security striker for CGMD gears.

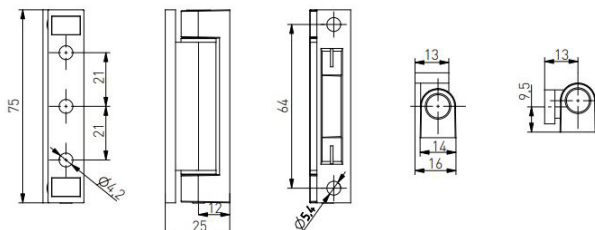
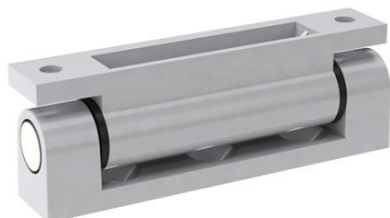


Product code	Description	System	Profile	Packaging unit
CRSY0040	Outward opening striker	timber & uPVC	Rehau Tritec	200
CRSY0070	Outward opening striker	timber & uPVC	Deceuninck 300 Kommerling Gold Aluplast Ideal 60	200
CRSY0170	Outward opening striker	timber & uPVC	Aluplast Ideal 2000	200

Outward Opening Butt Hinge

Product information

Passive height adjustment due to asymmetrical construction, made of high quality alloy.



Product code	Description	Colour	Packaging unit
40590164000	Window hinge	9016 white	130
405SILV4000	Window hinge	silver	36
40580774000	Window hinge	8077 brown	80
4059005M4000	Window hinge	9005 matt black	36
40604044000	Window hinge jig	-	1

Cotswold Friction Stays - Ferritic

Product information

Handed friction stays made from Ferritic stainless steel.



Product code	Size (inch)	Stack height (mm)	System	Opening angle	Function	Sash weight (kg)	Packaging unit
SF0813T10S18A	8"	13	timber	62°	top & side	10 + 18	50
SF1213T21S24A	12"	13	timber	86°	top & side	21 + 24	25
SF1613T22S24A	16"	13	timber	83°	top & side	22 + 24	25
SF2013T24A	20"	13	timber	42°	top only	24	25
SF2413T50A	24"	13	timber	38°	top only	50	25
SF0816T10S18A	8"	16	uPVC	62°	top & side	10 + 18	50
SF1216T21S24A	12"	16	uPVC	86°	top & side	21 + 24	25
SF1616T22S24A	16"	16	uPVC	83°	top & side	22 + 24	25
SF2016T24A	20"	16	uPVC	42°	top only	24	25
SF2416T50A	24"	16	uPVC	38°	top only	50	25
SF1616S35A	16"	16	uPVC	84°	side only	35	25

Cotswold Handed Restricted Friction Stays - Ferritic

Product information

Pull tab operation to release restriction, made from Ferritic stainless steel.



Product code	Size (inch)	Stack height (mm)	System	Opening angle	Function	Sash weight (kg)	Packaging unit
SF1213T20CLH/RH	12"	13	timber	11° & 59°	top	20	50
SF1613T24CLH/RH	16"	13	timber	10° & 48°	top	24	50
SF2013T24CLH/RH	20"	13	timber	8.5° & 45°	top	24	50
SF2413T50CLH/RH	24"	13	timber	7.6° & 45°	top	50	50
SF1216T20CLH/RH	12"	16	uPVC	11° & 59°	top	20	50
SF1616T24CLH/RH	16"	16	uPVC	10° & 48°	top	24	50
SF2016T24CLH/RH	20"	16	uPVC	8.5° & 45°	top	24	50
SF2416T50CLH/RH	24"	16	uPVC	7.6° & 45°	top	50	50

Note: Restricted stays come in single parts, please specify LH or RH items in your order.

Cotswold Ezi Clean Friction Stays - Ferritic

Product information

Slide function for easy cleaning of the outside window pane, made from Ferritic stainless steel.



Product code	Size (inch)	Stack height (mm)	System	Opening angle	Function	Sash weight (kg)	Packaging unit
SF1216S18E	12"	16	uPVC	85°	side	18	25
SF1616S21E	16"	16	uPVC	85°	side	21	25

Cotswold Friction Stays - Austenitic

Product information

Handed friction stays made from Ferritic stainless steel.



Product code	Size (inch)	Stack height (mm)	System	Opening angle	Function	Sash weight (kg)	Packaging unit
SA0813T10S18A	8"	13	timber	62°	top & side	10 + 18	50
SA1213T21S24A	12"	13	timber	86°	top & side	21 + 24	25
SA1613T22S24A	16"	13	timber	83°	top & side	22 + 24	25
SA2013T24A	20"	13	timber	42°	top only	24	25
SA2413T50A	24"	13	timber	38°	top only	50	25
SA0816T10S18A	8"	16	uPVC	62°	top & side	10 + 18	50
SA1216T21S24A	12"	16	uPVC	86°	top & side	21 + 24	25
SA1616T22S24A	16"	16	uPVC	83°	top & side	22 + 24	25
SA2016T24A	20"	16	uPVC	42°	top only	24	25
SA2416T50A	24"	16	uPVC	38°	top only	50	25
SA1616S35A	16"	16	uPVC	84°	side only	35	25

Cotswold Parallel Stay



Product code	Size (inch)	Stack height (mm)	Opening width (mm)	Sash weight (kg)	Packaging unit
PSA1817100	18"	17	180	100	25

Cotswold Telescopic Arm

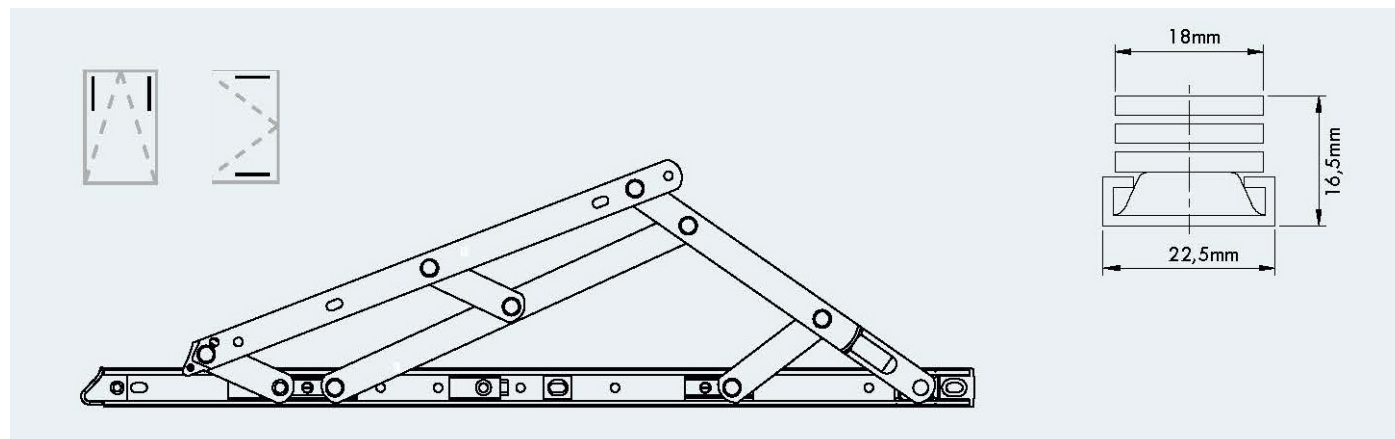


Product code	Description	Size (inch)	Stack height (mm)	Packaging unit
TEL1416TX	1 locking position	14"	16	25
TEL1416K	5 locking positions	14"	16	25

Friction Stays - Heavy Duty

Product information

Suitable for turn only or top hung positioning.



Product code	Description	Height max. (mm)	Width max. (mm)	Weight max. (kg)	Opening angle	Packaging unit
CSHD8500-000110	Turn only friction hinge - ZPA-10"	1500	500	23	90°	4
CSHD8510-000110	Turn only friction hinge - ZPA-12"	1500	600	28	45/90°	4
CSHD8520-000110	Turn only friction hinge - ZPA-14"	1500	700	33	45/90°	4
CSHD8530-000110	Turn only friction hinge - ZPA-16"	1800	800	38	45/90°	4
CSHD8540-000110	Turn only friction hinge - ZPA-18"	1800	900	43	45/90°	4
CSHD8550-000110	Turn only friction hinge - ZPA-20"	1800	1000	45	30/60°	4
CSHD8570-000110	Turn only friction hinge - ZPA-24"	1800	1100	50	30/45°	5
CSHD8580-000110	Top hung friction hinge - ZXA-10"	650	1100	43	35°	4
CSHD8590-000110	Top hung friction hinge - ZXA-12"	800	1200	60	30/35°	4
CSHD8600-000110	Top hung friction hinge - ZXA-14"	1000	1300	68	30/35°	4
CSHD8610-000110	Top hung friction hinge - ZXA-16"	1200	1400	85	25/30°	4
CSHD8620-000110	Top hung friction hinge - ZXA-18"	1400	1400	95	25/30°	4
CSHD8630-000110	Top hung friction hinge - ZXA-20"	1600	1500	108	20/25°	6
CSHD8650-000110	Top hung friction hinge - ZXA-24"	1800	1600	125	20/25°	6

Product code	Description	Contractive length A (mm)	Contractive length B* (mm)	Packaging unit
NSFP0140-000010	A series restrictor - LMCA-SPHE-06"	154.5	203.5	1
NSFP0150-000010	A series restrictor - LMCA-SPHE-08"	203.5	301.5	1
NSFP0160-000010	A series restrictor - LMCA-SPHE-10"	254.5	403.5	1