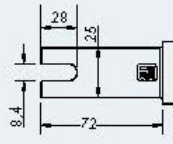
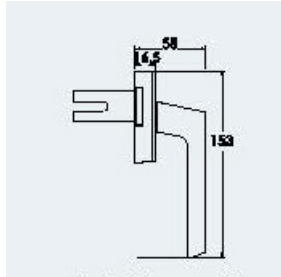
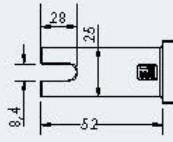


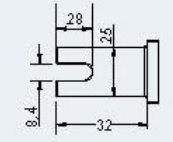
## Casement System - Handle for T Type Actuator



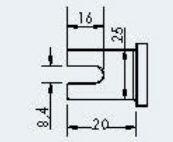
aa/bh 72mm



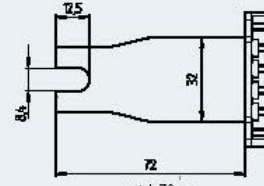
aa/bh 52mm



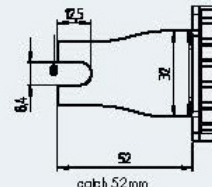
aa/bh 32mm



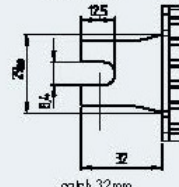
aa/bh 20mm



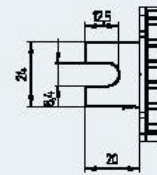
aa/bh 72mm



aa/bh 52mm



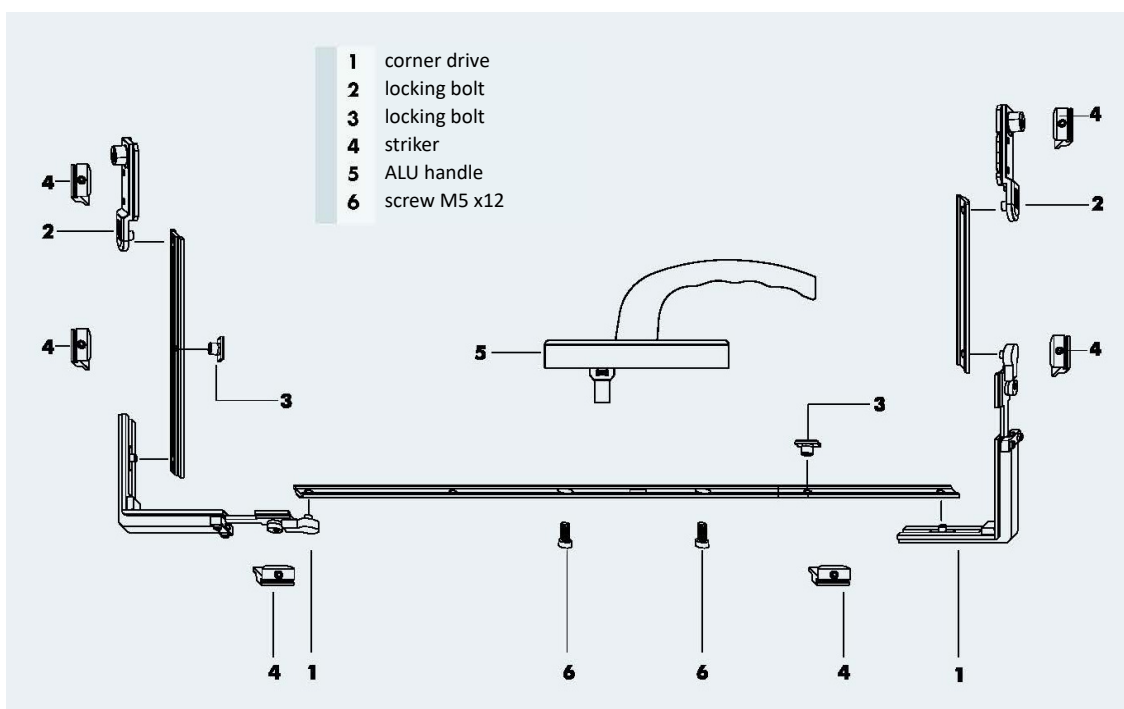
aa/bh 32mm



aa/bh 20mm

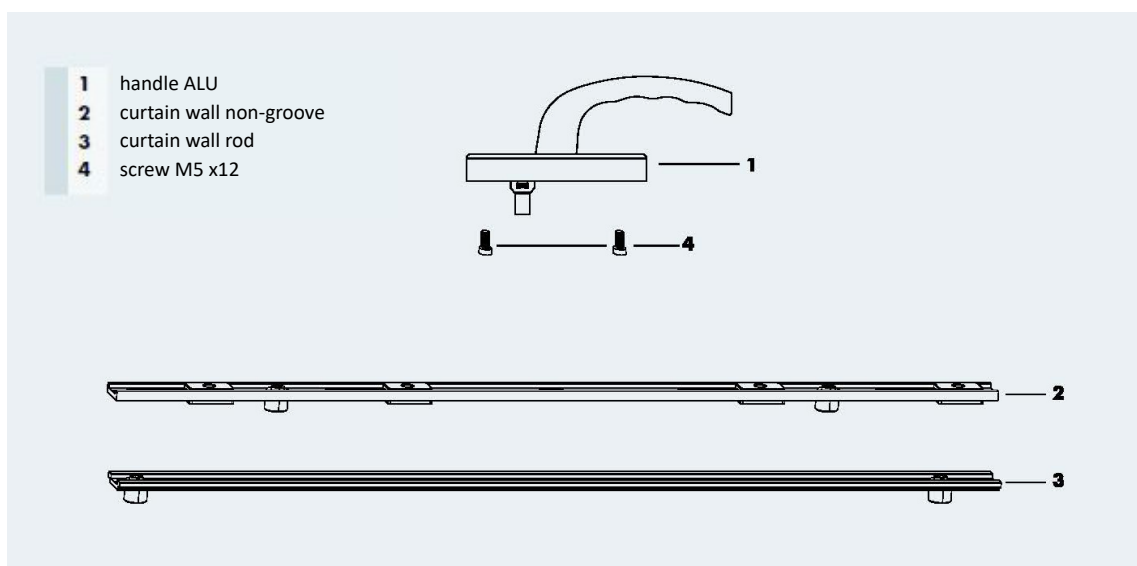
Product code	Description	Colour	Packaging unit
NHES0300-5K7030	Hebel LM DA handle	silver	1
NHES0300-504030	Hebel LM DA handle	9016 white	1
NHES0300-523030	Hebel LM DA handle	9005 black	1
NHSM0080-000010	DA catch 20mm	-	1
NHSM0070-000010	DA catch 32mm	-	1
NHSM0050-000010	DA catch 52mm	-	1
NHSM0060-000010	DA catch 72mm	-	1
CHGM8000-100060	DA catch 20mm	-	1
CHGM8010-100060	DA catch 32mm	-	1
CHGM8020-100060	DA catch 52mm	-	1
CHGM8030-100060	DA catch 72mm	-	1

## Casement System - Curtain Wall Multi-point Locking



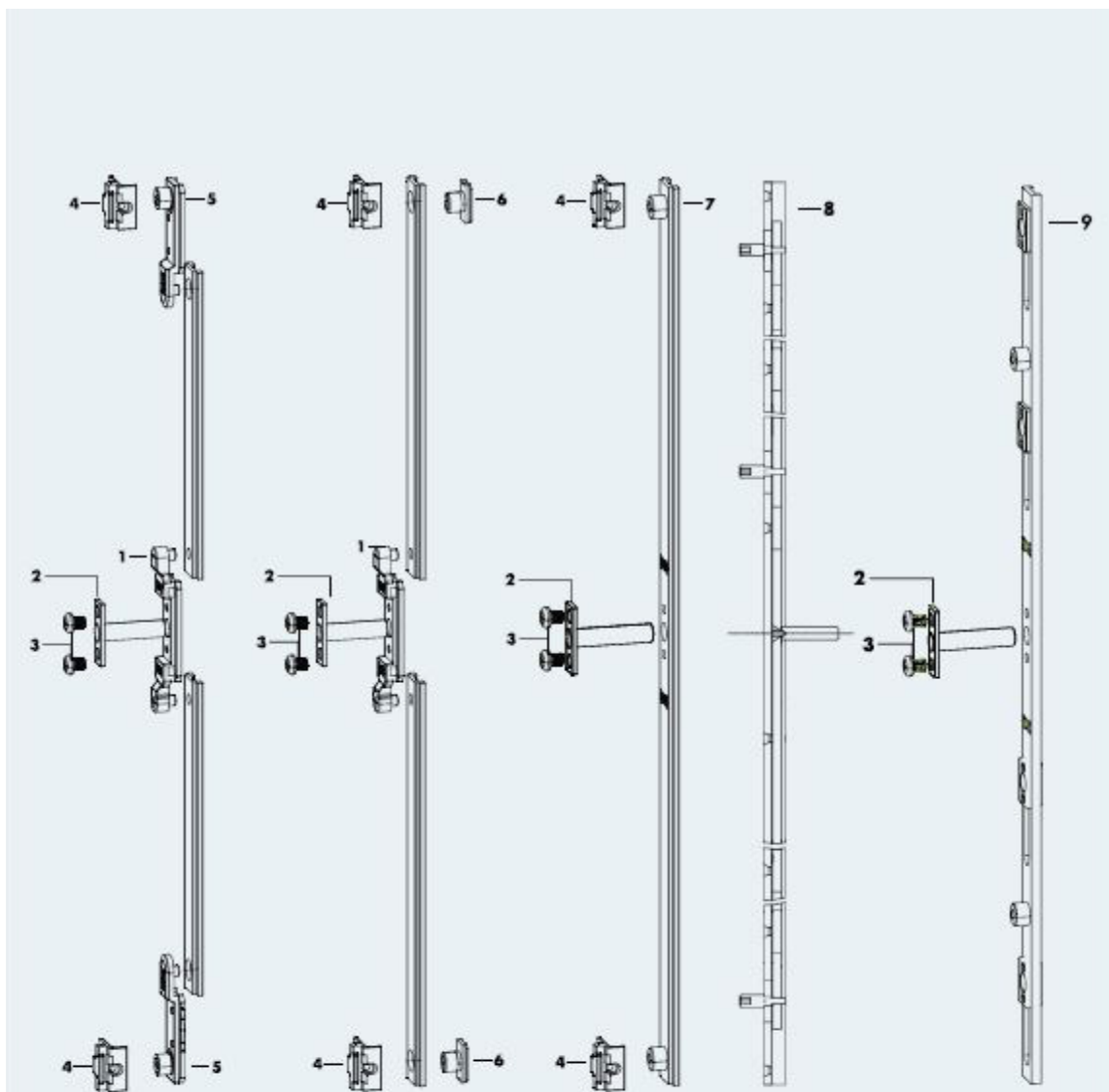
Product code	Description	Reference	Colour	Packaging unit
220603	VS ALU corner drive	1	-	2
MCSB0010-100080	VS ALU locking bolt	2	-	2
NFZB0040-100200	VS ALU locking bolt	3	-	2
MCST0010-100080	VS ALU striker	4	-	6
MCHS0010-5K7020	ALU Handle	5	silver	1
MCHS0010-504020	ALU Handle	5	white	1
MCHS0010-523020	ALU Handle	5	black	1
NDNA0120-000010	Screw M5 X12	6	-	2

## Casement System - Curtain Wall Single Side Locking

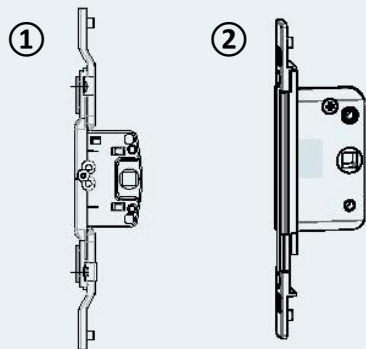


Product code	Description	Reference	Size (mm)	Colour	Packaging unit
MCHS0010-5K7020	ALU Handle	1	-	silver	1
MCHS0010-504020	ALU Handle	1	-	white	1
MCHS0010-533020	ALU Handle	1	-	black	1
MCSS0170-100060	Curtain wall non groove gear GR 400 2MV	2	420 - 620	-	1
MCSS0180-100060	Curtain wall non groove gear GR 600 2MV	2	620 - 820	-	1
MCSS0190-100060	Curtain wall non groove gear GR 800 2MV	2	820 - 1020	-	1
MCSS0200-100060	Curtain wall non groove gear GR 1000 3MV	2	1020 - 1220	-	1
MCSS0210-100060	Curtain wall non groove gear GR 1200 3MV	2	1220 - 1500	-	1
MCSS0120-100060	Curtain wall rod GR 400 2MV	3	420 - 620	-	1
MCSS0130-100060	Curtain wall rod GR 600 2MV	3	620 - 820	-	1
MCSS0140-100060	Curtain wall rod GR 800 2MV	3	820 - 1020	-	1
MCSS0150-100060	Curtain wall rod GR 1000 3MV	3	1020 - 1220	-	1
MCSS0160-100060	Curtain wall rod GR 1200 3MV	3	1220 - 1500	-	1
NDNA0120-000010	Screw M5 X12	4	-	-	2

## ALU Casement System - Locking Options



### Gearbox alternate options:



- 1 coupling bracket
- 2 T type actuator
- 3 H type cross pan head screw M4 x6
- 4 strike
- 5 locking bolt
- 6 locking bolt
- 7 rod
- 8 non-groove gear
- 9 non-groove gear

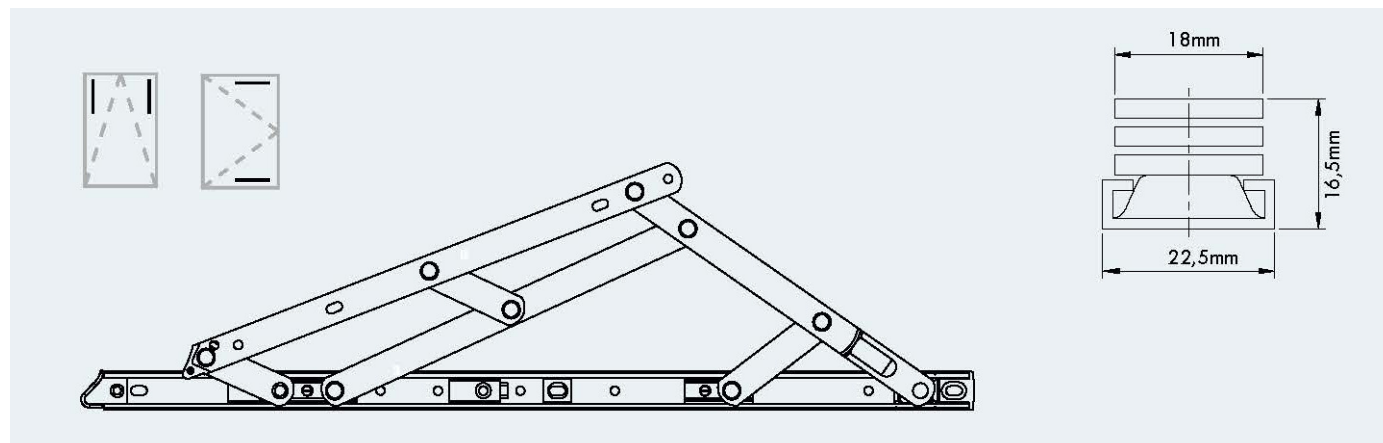
## ALU Casement System - Locking Options - continued

Product code	Description	Reference	Size (mm)	Packaging unit
MCKL0020-100200	Coupling bracket	1	-	1
MCKL0030-100080	T type actuator GR 20	2	-	1
MCKL0040-100080	T type actuator GR 25	2	-	1
MCKL0050-100080	T type actuator GR 30	2	-	1
MCKL0060-100080	T type actuator GR 35	2	-	1
MCKL0070-100080	T type actuator GR 40	2	-	1
MCNA0010-100290	H type cross pan head screw M4 x6	3	-	2
MCST0010-100080	Strike	4	-	-
MCSB0010-100080	Locking bolt	5	-	2
NFZB0040-100200	Locking bolt	6	-	-
MCSS0020-100060	Rod GR 400 2MV	7	420 - 620	1
MCSS0030-100060	Rod GR 600 2MV	7	620 - 820	1
MCSS0040-100060	Rod GR 800 2MV	7	820 - 1020	1
MCSS0050-100060	Rod GR 1000 3MV	7	1020 - 1220	1
MCSS0060-100060	Rod GR 1200 3MV	7	1220 - 1500	1
NGMD0100-000040	Non-groove gear GR 400	8	420 - 620	-
NGMD0110-000040	Non-groove gear GR 600	8	620 - 820	-
NGMD0120-000040	Non-groove gear GR 800	8	820 - 1020	-
NGMD0130-000040	Non-groove gear GR 1000	8	1020 - 1220	-
NGMD0140-000040	Non-groove gear GR 1200	8	1220 - 1420	-
NGMD0150-000040	Non-groove gear GR 1400	8	1420 - 1620	-
NGMD0160-000040	Non-groove gear GR 1600	8	1620 - 1820	-
MCSS0070-100060	Non-groove gear GR 400 2MV	9	420 - 620	1
MCSS0080-100060	Non-groove gear GR 600 2MV	9	620 - 820	1
MCSS0090-100060	Non-groove gear GR 800 2MV	9	820 - 1020	1
MCSS0100-100060	Non-groove gear GR 1000 3MV	9	1020 - 1220	1
MCSS0110-100060	Non-groove gear GR 1200 3MV	9	1220 - 1500	1
NGKG0020-100020	ALU 22.5mm backset DG gear TS K10	①	-	1
NGKG0030-100020	ALU 30mm backset DG gear TS K10	①	-	1
MCG10010-100020	Gear box ALU22mm backset AU TS K10	②	-	1
MCG10020-100020	Gear box ALU30mm backset AU TS K10	②	-	1
MCG10030-100020	Gear box ALU35mm backset AU TS K10	②	-	1

## Friction Stays - Heavy Duty

### Product information

Suitable for turn only or top hung positioning.



Product code	Description	Height max. (mm)	Width max. (mm)	Weight max. (kg)	Opening angle	Packaging unit
CSHD8500-000110	Turn only friction hinge - ZPA-10"	1500	500	23	90°	4
CSHD8510-000110	Turn only friction hinge - ZPA-12"	1500	600	28	45/90°	4
CSHD8520-000110	Turn only friction hinge - ZPA-14"	1500	700	33	45/90°	4
CSHD8530-000110	Turn only friction hinge - ZPA-16"	1800	800	38	45/90°	4
CSHD8540-000110	Turn only friction hinge - ZPA-18"	1800	900	43	45/90°	4
CSHD8550-000110	Turn only friction hinge - ZPA-20"	1800	1000	45	30/60°	4
CSHD8570-000110	Turn only friction hinge - ZPA-24"	1800	1100	50	30/45°	5
CSHD8580-000110	Top hung friction hinge - ZXA-10"	650	1100	43	35°	4
CSHD8590-000110	Top hung friction hinge - ZXA-12"	800	1200	60	30/35°	4
CSHD8600-000110	Top hung friction hinge - ZXA-14"	1000	1300	68	30/35°	4
CSHD8610-000110	Top hung friction hinge - ZXA-16"	1200	1400	85	25/30°	4
CSHD8620-000110	Top hung friction hinge - ZXA-18"	1400	1400	95	25/30°	4
CSHD8630-000110	Top hung friction hinge - ZXA-20"	1600	1500	108	20/25°	6
CSHD8650-000110	Top hung friction hinge - ZXA-24"	1800	1600	125	20/25°	6

Product code	Description	Contractive length A (mm)	Contractive length B* (mm)	Packaging unit
NSFP0140-000010	A series restrictor - LMCA-SPHE-06"	154.5	203.5	1
NSFP0150-000010	A series restrictor - LMCA-SPHE-08"	203.5	301.5	1
NSFP0160-000010	A series restrictor - LMCA-SPHE-10"	254.5	403.5	1