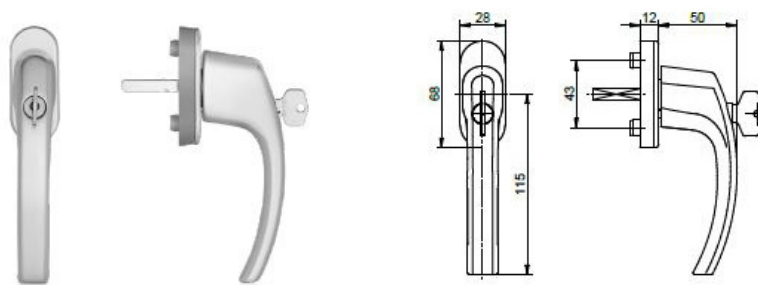


blaugelb FGS 1758 Tilt & Turn Lockable Handle

Product information

Invisible fixing, screws and one key supplied.

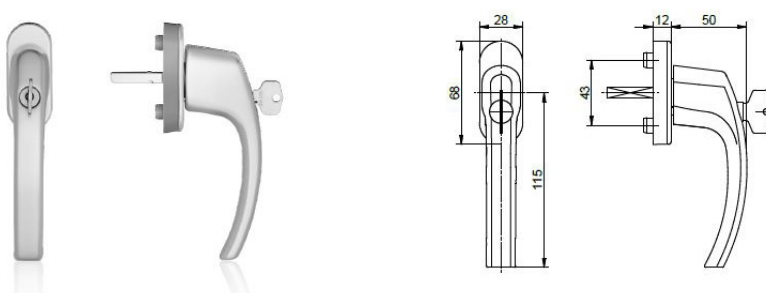


Product code	Description	Spindle	Finish	Colour	Packaging unit
0431575	Tilt & turn locking handle	7 x 37mm	coated	white	20
0431582	Tilt & turn locking handle	7 x 37mm	anodised	silver	20

blaugelb FGS 1758 Tilt Before Turn Lockable Handle

Product information

Invisible fixing, screws and one key supplied.

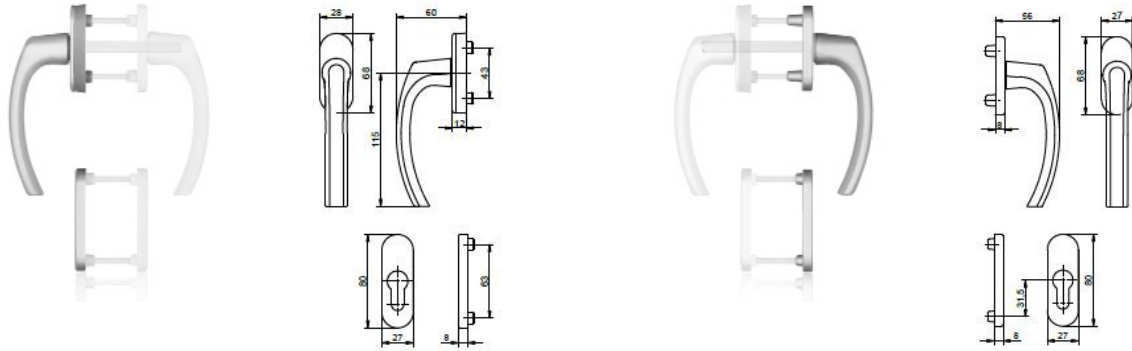


Product code	Description	Spindle	Finish	Colour	Packaging unit
0431640	Tilt before turn locking handle	7 x 37mm	coated	white	20
0431649	Tilt before turn locking handle	7 x 37mm	anodised	silver	20

blaugelb FGS 1758 Balcony Handle

Product information

Invisible fixing, spindle kit supplied separately.

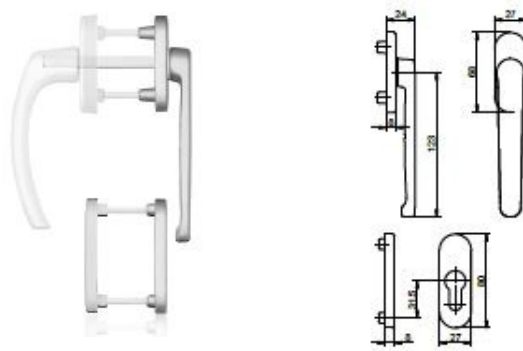


Product code	Description	Spindle	Finish	Colour	Packaging unit
0431661	Internal balcony door handle set	7mm	coated	white	2
0431700	External balcony door handle set	7mm	coated	white	2
0431665	Internal balcony door handle set	7mm	anodised	silver	2
0431703	External balcony door handle set	7mm	anodised	silver	2
0431718	Spindle kit 67-72mm including screws	-	-	-	1

blaugelb FGS 1758 Flat Balcony Handle

Product information

Invisible fixing, spindle kit supplied separately.

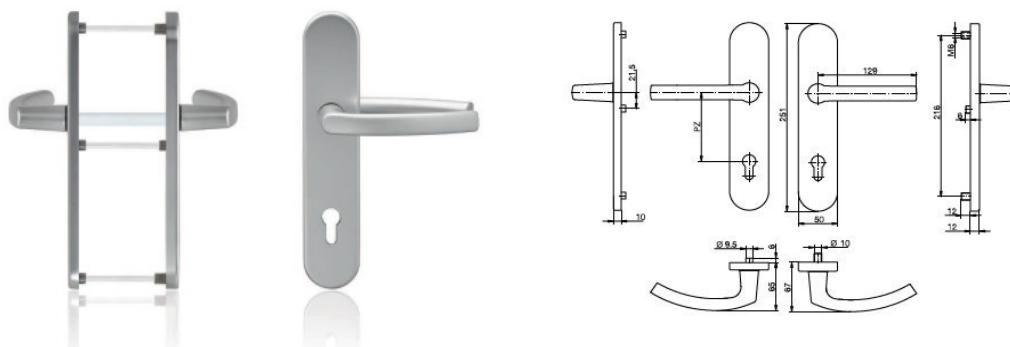


Product code	Description	Spindle	Finish	Colour	Packaging unit
0431706	External flat balcony door handle set	7mm	coated	white	2
0431708	External flat balcony door handle set	7mm	anodised	silver	2
0431718	Spindle kit 67-72mm including screws	-	-	-	1

blaugelb DGT50 Entrance Handle Set

Product information

In two parts for easy assembly, invisible fixing. Spindle kit sold separately.

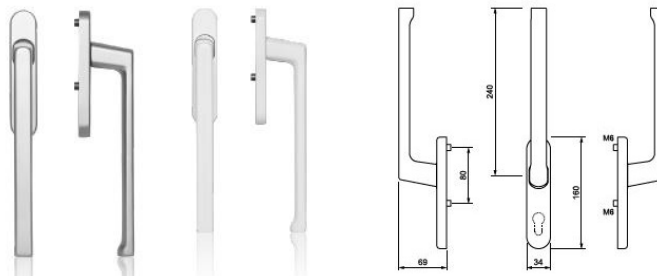


Product code	Description	Spindle	Finish	Colour	Packaging unit
0423978	Entrance handle set 50/92/8	8mm	coated	white	1
0423983	Entrance handle set 50/92/8	8mm	anodised	silver	1
0424009	Entrance handle set 50/92/8	8mm	stainless steel	fine matt	1
0424171	Spindle kit 67-72mm including screws	-	-	-	1

blaugelb HSG 1040 Lift & Slide Handle

Product information

Invisible fixing, supplied with spindle kit. Suitable for door thickness 60-70mm.

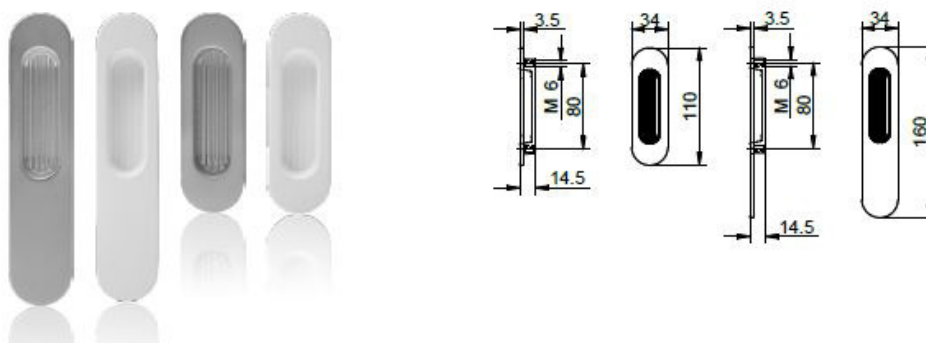


Product code	Description	Position	Spindle	Finish	Colour	Packaging unit
9071099	HSG 1040 handle inner - without perforation	internal	10 x 95mm	coated	9016 white	1
9071100	HSG 1040 handle inner - without perforation	internal	10 x 95mm	anodised	F1 silver	1
9071663	HSG 1040 handle inner - without perforation	internal	10 x 95mm	anodised	F9 steel	1
9071102	HSG 1040 handle inner - with perforation	internal	10 x 95mm	coated	9016 white	1
9071103	HSG 1040 handle inner - with perforation	internal	10 x 95mm	anodised	F1 silver	1
9071674	HSG 1040 handle inner - with perforation	internal	10 x 95mm	anodised	F9 steel	1
9071111	HSG 1040 handle outer	external	10 x 95mm	coated	9016 white	1
9071112	HSG 1040 handle outer	external	10 x 95mm	anodised	F1 silver	1
9071677	HSG 1040 handle outer	external	10 x 95mm	anodised	F9 steel	1
9016528	Spindle set 70-80mm	-	-	-	-	1

blaugelb Lift & Slide Flush Pulls

Product information

Invisible fixing, screws included, two sizes available.

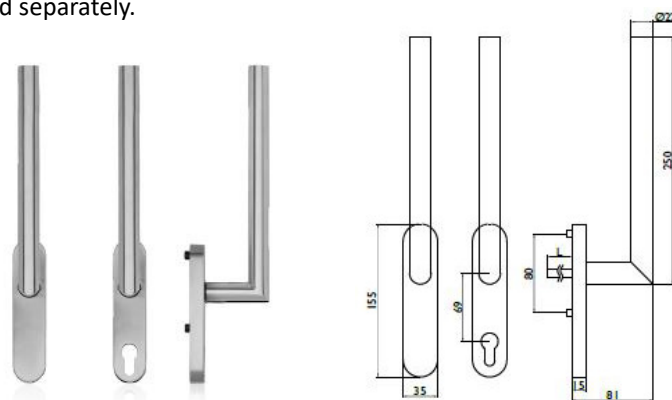


Product code	Description	Size	Finish	Colour	Packaging unit
9071117	HSG 1040 flush pull oval - short	110 x 34 x 14.5mm	coated	9016 white	1
9071118	HSG 1040 flush pull oval - short	110 x 34 x 14.5mm	anodised	F1 silver	1
9071679	HSG 1040 flush pull oval - short	110 x 34 x 14.5mm	anodised	F9 steel	1
9071979	HSG 1040 flush pull oval - long	160 x 34 x 14.5mm	coated	9016 white	1
9071980	HSG 1040 flush pull oval - long	160 x 34 x 14.5mm	anodised	F1 silver	1
9072195	HSG 1040 flush pull oval - long	160 x 34 x 14.5mm	anodised	F9 steel	1

blaugelb HSG 1010 Lift & Slide Handle

Product information

Invisible fixing, spindle kit supplied separately.

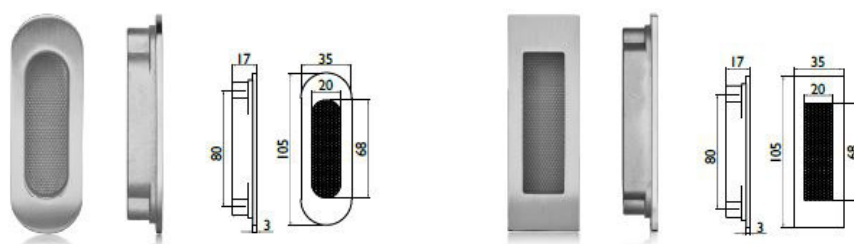


Product code	Description	Spindle	Finish	Colour	Packaging unit
9016519	HS 1010 handle inner SS	10mm	stainless steel	fine matt	1
9016520	HS 1010 handle outer SS	10mm	stainless steel	fine matt	1
9016528	HS spindle kit 70-80mm including screws	160mm	-	-	1
9016529	HS spindle kit 81-90mm including screws	160mm	-	-	1

blaugelb Lift & Slide Flush Pulls

Product information

Invisible fixing, screws not included.

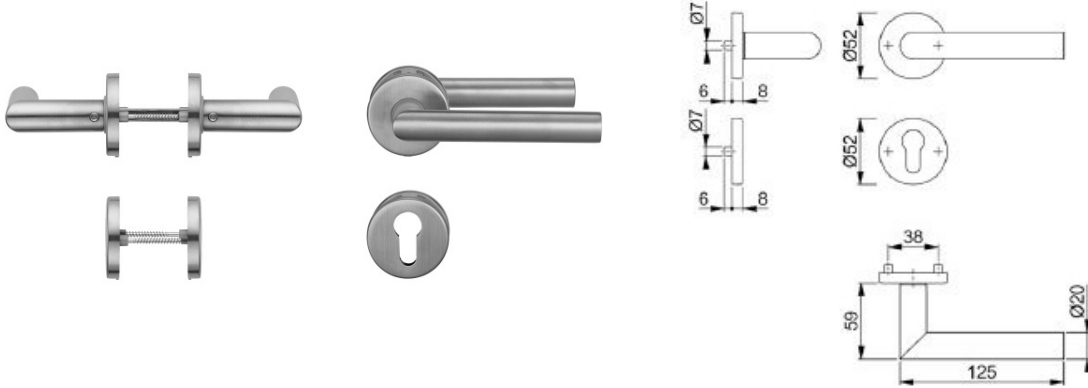


Product code	Description	Depth	Finish	Colour	Packaging unit
9016526	HS flush pull round SS	17mm	stainless steel	fine matt	1
9016527	HS flush pull square SS	17mm	stainless steel	fine matt	1

blaugelb DGT 90° Internal Handle Set

Product information

For interior door with a thickness between 37-42mm, easy assembly with invisible fixing. Rosette height 8mm.

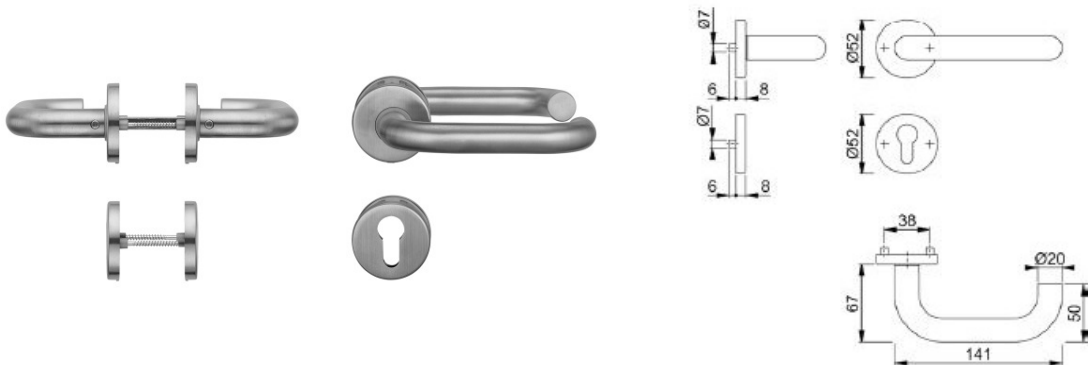


Product code	Description	Spindle	Finish	Colour	Packaging unit
9066266	Internal handle set - DGT 90°	8mm	stainless steel	fine matt	1

blaugelb DGT U Internal Handle Set

Product information

For interior door with a thickness between 37-42mm, easy assembly with invisible fixing. Rosette height 8mm.

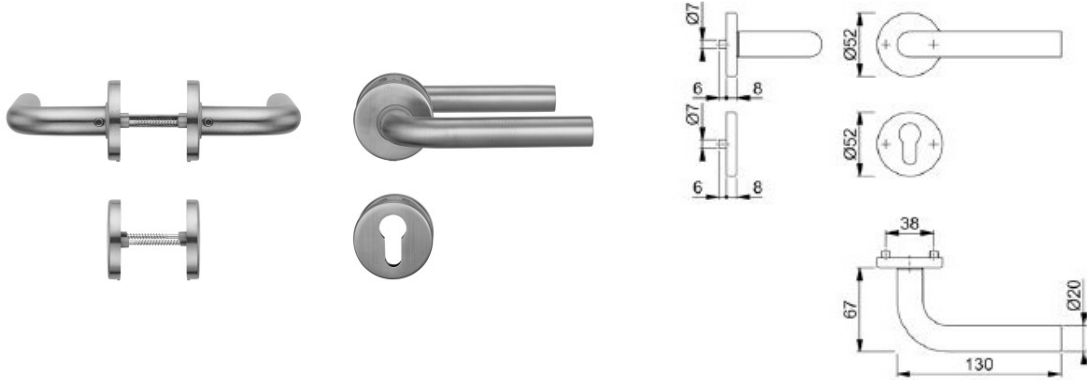


Product code	Description	Spindle	Finish	Colour	Packaging unit
9066259	Internal handle set - DGT U	8mm	stainless steel	fine matt	1

blaugelb DGT L Internal Handle Set

Product information

For interior door with a thickness between 37-42mm, easy assembly with invisible fixing. Rosette height 8mm.

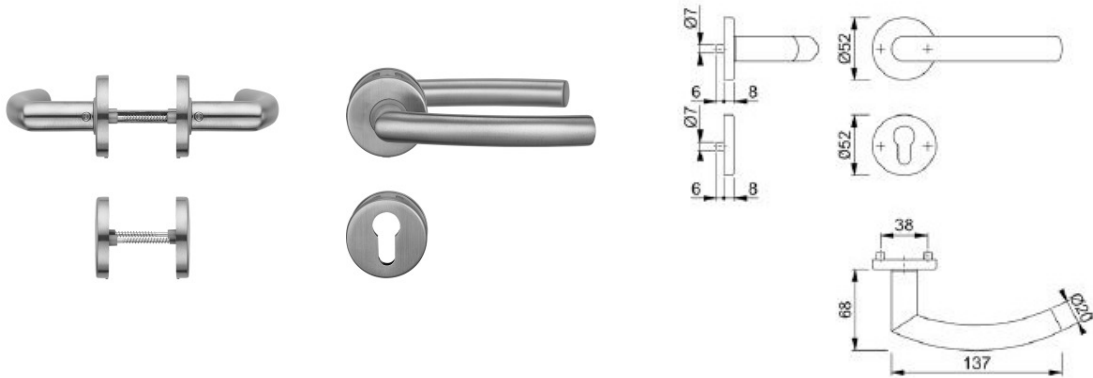


Product code	Description	Spindle	Finish	Colour	Packaging unit
9066193	Internal handle set - DGT L	8mm	stainless steel	fine matt	1

blaugelb DGT 1758 Internal Handle Set

Product information

For interior door with a thickness between 37-42mm, easy assembly with invisible fixing. Rosette height 8mm.

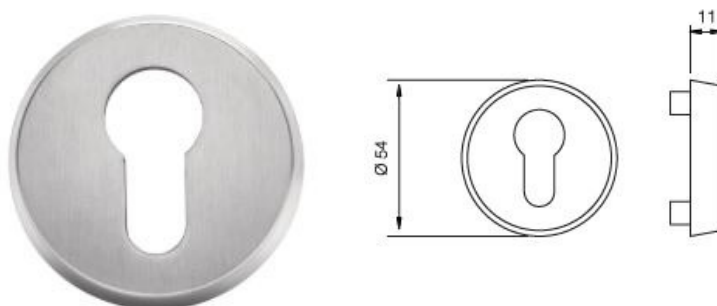


Product code	Description	Spindle	Finish	Colour	Packaging unit
9066187	Internal handle set - DGT U	8mm	stainless steel	fine matt	1

blaugelb External Round Escutcheon

Product information

Invisible fix round external escutcheon, screws included.

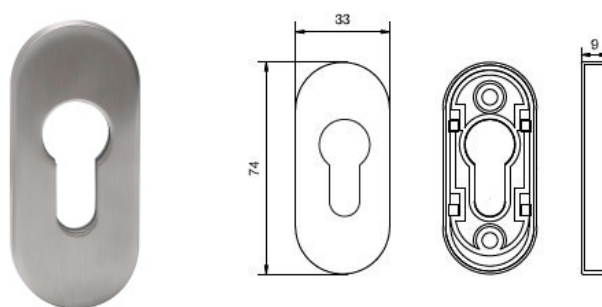


Product code	Description	Width	Finish	Colour	Packaging unit
0413771	Escutcheon PZ external round SS	54mm	stainless steel	fine matt	5

blaugelb Internal Oval Escutcheon

Product information

Invisible fix oval internal escutcheon, screws not included.



Product code	Description	Length	Finish	Colour	Packaging unit
0417611	Escutcheon PZ internal oval SS	74mm	stainless steel	fine matt	20