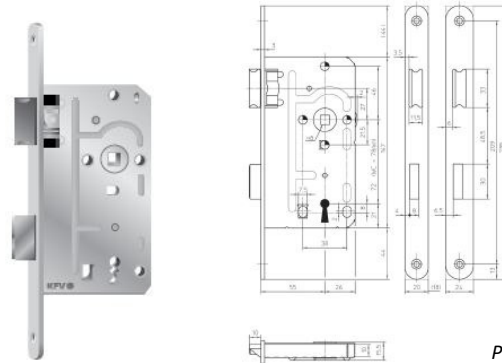


KFV 104 Internal Door Mortice Lock

Product information

Mortice lock for internal doors, deadbolt operation via WC latch.

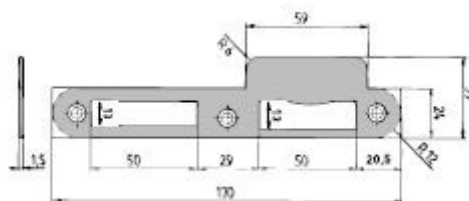


Please Note: BB lock featured

Product code	Lock type	Backset (mm)	Spindle/lock distance (mm)	Faceplate width (mm)	Faceplate length (mm)	Faceplate type	Handing	Surface	Packaging unit
3316310	WC	55	78	24	235	rounded	left	silver lacquered	1
3316909	WC	55	78	24	235	rounded	right	silver lacquered	1
3101164	WC	55	78	24	235	rounded	left	stainless steel	1
3101187	WC	55	78	24	235	rounded	right	stainless steel	1

Note: BB key version available on request

KFV 5-01-N Mortice Lock Striker Plate

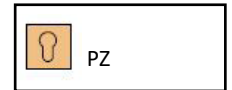
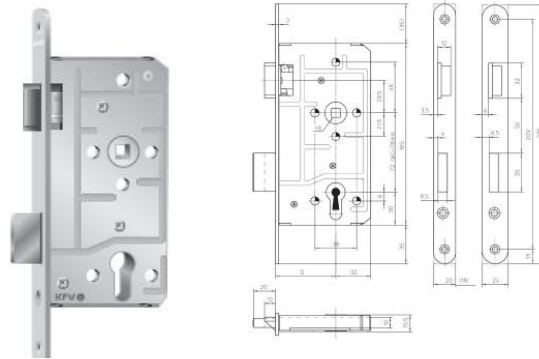


Product code	Description	Length (mm)	Faceplate type	Handing	Surface	Packaging unit
3360629	5-01-N Mortice lock strike	170	rounded	right or left	silver lacquered	1
3251718	5-01-N Mortice lock strike	170	rounded	right or left	stainless steel	1

KFV 113 External Door Mortice Lock

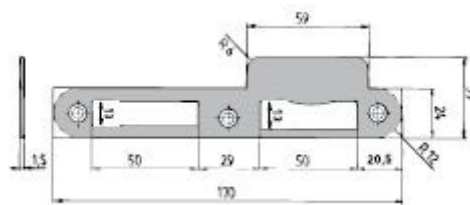
Product information

Mortice lock for external doors, deadbolt operation via profile cylinder, Class 3 security.



Product code	Lock type	Backset (mm)	Spindle/lock distance (mm)	Faceplate width (mm)	Faceplate length (mm)	Faceplate type	Handing	Surface	Packaging unit
3279105	PZ	55	72	20	235	rounded	left	silver lacquered	1
3285991	PZ	55	72	20	235	rounded	right	silver lacquered	1
3102558	PZ	55	72	20	235	rounded	left	stainless steel	1
3102609	PZ	55	72	20	235	rounded	right	stainless steel	1

KFV 5-01-N Mortice Lock Striker Plate

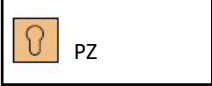
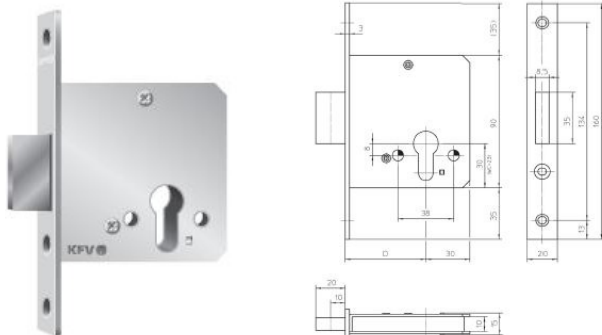


Product code	Description	Length (mm)	Faceplate type	Handing	Surface	Packaging unit
3360629	5-01-N Mortice lock strike	170	rounded	right or left	silver lacquered	1
3251718	5-01-N Mortice lock strike	170	rounded	right or left	stainless steel	1

KFV 211 Deadbolt Mortice Lock

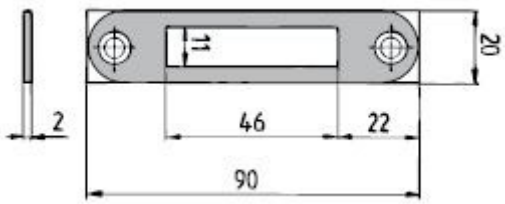
Product information

Additional deadbolt locking via profile cylinder.



Product code	Lock type	Backset (mm)	Faceplate width (mm)	Faceplate length (mm)	Faceplate type	Handing	Surface	Packaging unit
3332556	PZ	55	20	157	rounded	right or left	silver lacquered	1
3109976	PZ	55	20	157	rounded	right or left	stainless steel	1

KFV 0211 Deadbolt Mortice Lock Striker Plate



Product code	Description	Length (mm)	Faceplate type	Handing	Surface	Packaging unit
3324773	0211 PZ Mortice lock strike	90	rounded	right or left	silver lacquered	1
3466887	0211 PZ Mortice lock strike	90	rounded	right or left	stainless steel	1

KFV 416 Magnetic Mortice Lock

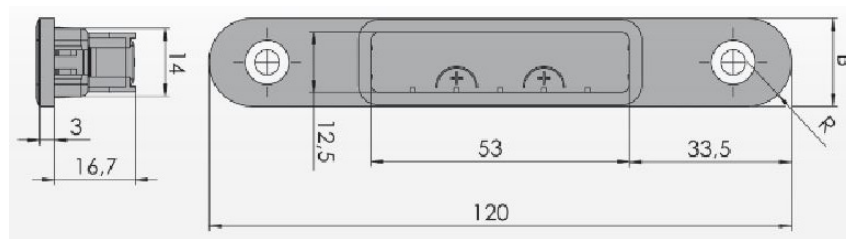
Product information

For internal doors, concealed tongue latch operated via magnetic striker.



Product code	Backset (mm)	Faceplate width (mm)	Faceplate type	Handing	Surface	Packaging unit
3486015	55	20	rounded	right or left	stainless steel	1
3510053	55	20	rounded	right or left	black	1

KFV 416 Magnetic Lock Striker Plate

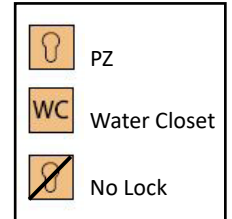
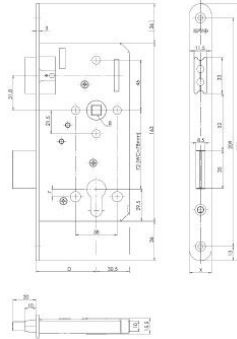


Product code	Description	Length (mm)	Faceplate type	Handing	Surface	Packaging unit
3475203	416 Magnetic lock strike	120	rounded	right or left	stainless steel	1
3510075	416 Magnetic lock strike	120	rounded	right or left	black	1

KFV 116 Magnetic Mortice Lock

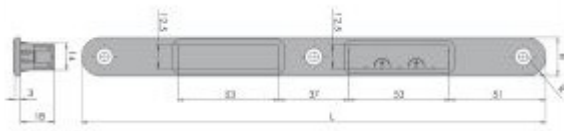
Product information

Concealed tongue, latch operated via magnetic striker.

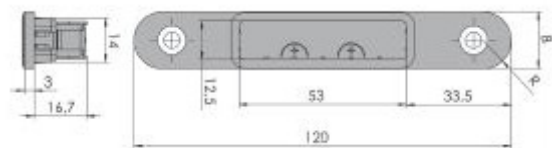


Product code	Lock type	Backset (mm)	Spindle/lock distance (mm)	Faceplate width (mm)	Faceplate length (mm)	Faceplate type	Handing	Surface	Packaging unit
3475257	PZ	55	72	20	235	rounded	right or left	stainless steel	1
3475259	WC	55	72	20	235	rounded	right or left	stainless steel	1
3475261	NL	55	n/a	20	235	rounded	right or left	stainless steel	1

KFV 116 Magnetic Lock Striker Plate



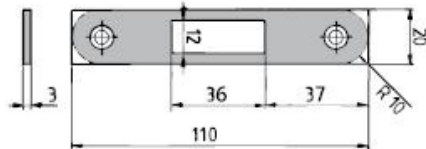
* Please Note: 116-2XX above



* Please Note: 116-120 above

Product code	Description	Length (mm)	Faceplate type	Handing	Surface	Packaging unit
3475204	116-2XX Magnetic lock strike	200	rounded	right or left	stainless steel	1
3475203	116-120 Magnetic lock strike	120	rounded	right or left	stainless steel	1

KFV 0631 Sliding Striker Plate

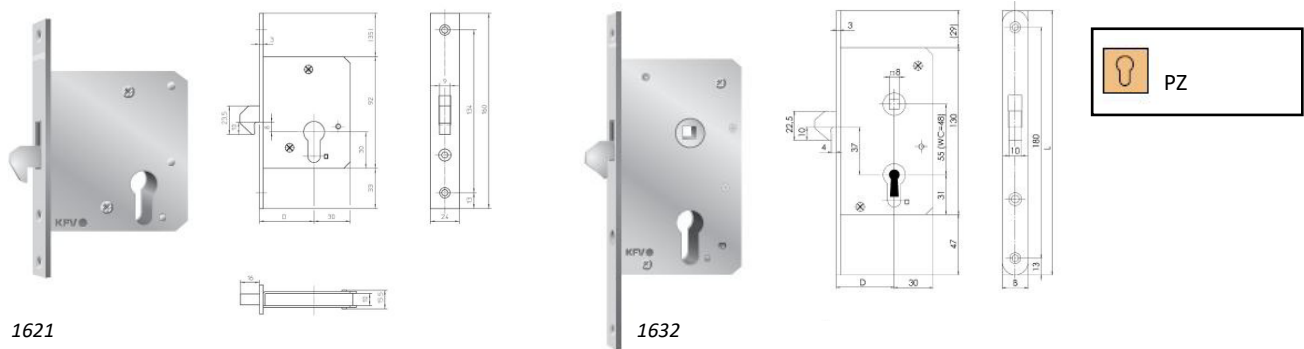


Product code	Description	Length (mm)	Faceplate type	Handing	Surface	Packaging unit
3469444	0631 Sliding striker	110	rounded	right or left	silver lacquered	1

KFV 1621 & 1632 Sliding Mortice Lock

Product information

Sliding mortice lock with or without spindle.



Product code	Series	Lock type	Backset (mm)	Spindle/lock distance (mm)	Faceplate width (mm)	Faceplate length (mm)	Faceplate type	Handing	Surface	Packaging unit
3373129	1621	PZ	55	n/a	20	157	rounded	right or left	silver lacquered	1
3368193	1632	PZ	55	55	20	203	rounded	right or left	silver lacquered	1
3340761	1632	PZ	55	55	20	206	rounded	right or left	stainless steel	1
3108588	1632	PZ	55	55	20	206	rounded	right or left	stainless steel	1