

## Full Profile Cylinder SX

### Product information

Profile double cylinder with 6 pin system. Opened by key from both sides, a solid brass body with top 6 pins made of solid brass and bottom pins of anti-drill SS304, with 3 pieces of brass keys and 1 piece of steel screw, tested to 200,000 cycles. Satin nickel finish.



Product code	Description	Size (mm)	Packaging unit
SWPZ3535A	Cylinder key option A	35/35	10
SWPZ4040A	Cylinder key option A	40/40	10
SWPZ4545A	Cylinder key option A	45/45	10
SWPZ4550A	Cylinder key option A	45/50	10
SWPZ5050A	Cylinder key option A	50/50	10
SWPZ5555A	Cylinder key option A	55/55	10
SWPZ3535B	Cylinder key option B	35/35	10
SWPZ4040B	Cylinder key option B	40/40	10
SWPZ4545B	Cylinder key option B	45/45	10
SWPZ4550B	Cylinder key option B	45/50	10
SWPZ5050B	Cylinder key option B	50/50	10
SWPZ5555B	Cylinder key option B	55/55	10
SWPZ3535C	Cylinder key option C	35/35	10
SWPZ4040C	Cylinder key option C	40/40	10
SWPZ4545C	Cylinder key option C	45/45	10
SWPZ4550C	Cylinder key option C	45/50	10
SWPZ5050C	Cylinder key option C	50/50	10
SWPZ5555C	Cylinder key option C	55/55	10
SWPZ4040D	Cylinder key option D	40/40	10
SWPZ4545D	Cylinder key option D	45/45	10
SWPZ4550D	Cylinder key option D	45/50	10
SWPZ5050D	Cylinder key option D	50/50	10
SWPZ5555D	Cylinder key option D	55/55	10
SWPZ4040E	Cylinder key option E	40/40	10
SWPZ4545E	Cylinder key option E	45/45	10
SWPZ4550E	Cylinder key option E	45/50	10
SWPZ5050E	Cylinder key option E	50/50	10
SWPZ5555E	Cylinder key option E	55/55	10
SWPZ4040F	Cylinder key option F	40/40	10
SWPZ4545F	Cylinder key option F	45/45	10
SWPZ4550F	Cylinder key option F	45/50	10
SWPZ5050F	Cylinder key option F	50/50	10
SWPZ5555F	Cylinder key option F	55/55	10
SWKBLNK	Key blank for PZ and knob cylinders	n/a	1
SWKBLNKM	Key blank for PZ and knob cylinders milled	n/a	1

## Profile Knob Cylinder SX

### Product information

Profile knob cylinder with 6 pin system. Operate outside by key and inside by turn, a solid brass body with top 6 pins made of solid brass and bottom pins of anti-drill SS304, with 3 pieces of brass keys and 1 piece of steel screw, tested to 200,000 cycles. Satin nickel finish.



Product code	Description	Size (mm)	Packaging unit
SWKB4040A	Knob cylinder key option A	40/40	10
SWKB4545A	Knob cylinder key option A	45/45	10
SWKB4550A	Knob cylinder key option A	45/50	10
SWKB5050A	Knob cylinder key option A	50/50	10
SWKB5555A	Knob cylinder key option A	55/55	10
SWKB4040B	Knob cylinder key option B	40/40	10
SWKB4545B	Knob cylinder key option B	45/45	10
SWKB4550B	Knob cylinder key option B	45/50	10
SWKB5050B	Knob cylinder key option B	50/50	10
SWKB5555B	Knob cylinder key option B	55/55	10
SWKB4040C	Knob cylinder key option C	40/40	10
SWKB4545C	Knob cylinder key option C	45/45	10
SWKB4550C	Knob cylinder key option C	45/50	10
SWKB5050C	Knob cylinder key option C	50/50	10
SWKB5555C	Knob cylinder key option C	55/55	10
SWKBLNK	Key blank for PZ and knob cylinders	n/a	1
SWKBLNKM	Key blank for PZ and knob cylinders milled	n/a	1

## Half Profile Cylinder SX

### Product information

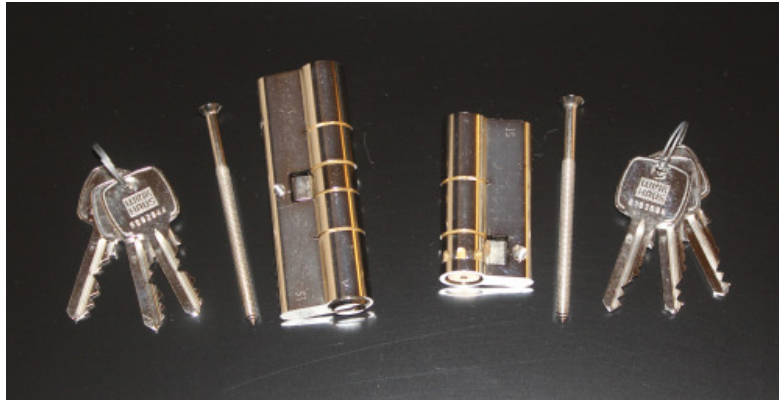
Profile half cylinder with 6 pin system. Opened outside by key, a solid brass body with top 6 pins made of solid brass and bottom pins of anti-drill SS304, with 3 pieces of brass keys and 1 piece of steel screw, tested to 200,000 cycles. Satin nickel finish.



Product code	Description	Size (mm)	Packaging unit
SWPZ40A	Cylinder key option A	40/0	10
SWPZ45A	Cylinder key option A	45/0	10
SWPZ50A	Cylinder key option A	50/0	10
SWPZ40B	Cylinder key option B	40/0	10
SWPZ45B	Cylinder key option B	45/0	10
SWPZ50B	Cylinder key option B	50/0	10
SWPZ40C	Cylinder key option C	40/0	10
SWPZ45C	Cylinder key option C	45/0	10
SWPZ50C	Cylinder key option C	50/0	10
SWKBLNK	Key blank for PZ and knob cylinders	n/a	1
SWKBLNKM	Key blank for PZ and knob cylinders milled	n/a	1

## Winkhaus Euro Cylinder

**Product information**  
5 pin Euro cylinder



Product code	Description	Size (mm)	Packaging unit
WHEC3535	Winkhaus Euro Cylinder	35/35	10
WHEC4040	Winkhaus Euro Cylinder	40/40	10
WHEC4055	Winkhaus Euro Cylinder	40/55	10
WHEC4060	Winkhaus Euro Cylinder	40/60	10
WHEC4070	Winkhaus Euro Cylinder	40/70	10
WHEC4545	Winkhaus Euro Cylinder	45/45	10
WHEC4550	Winkhaus Euro Cylinder	45/50	10
WHEC50	Winkhaus Euro Cylinder	50/0	10
WHEC5050	Winkhaus Euro Cylinder	50/50	10
WHEC5555	Winkhaus Euro Cylinder	55/55	10
WHEC5560	Winkhaus Euro Cylinder	55/60	10
WHECKEY	Winkhaus Key Blank	-	1

*\* Other sizes also available through special order*

## Full WC Knob Cylinder SX

### Product information

WC knob cylinder can be opened in an emergency from the outside. Operate outside by tool and inside by turn, a solid brass body with 1 piece of steel screw and satin nickel finish, tested to 200,000 cycles.



25mm  
escutcheon



35mm  
escutcheon

Product code	Description	Size (mm)	Packaging unit
SWWC3232	Bathroom knob cylinder w/slot	32.5/32.5	10
SWWC3535	Bathroom knob cylinder w/slot	35/35	10
SWWC25ESC	Cylinder escutcheon	25	1
SWWC35ESC	Cylinder escutcheon	35	1

## Blind Profile Cylinder

### Product information

The profile double cylinders are made of nickel-plated brass and are used as blind cylinders for fittings with PZ perforation. Suitable for fire and smoke protection doors, and supplied without key.

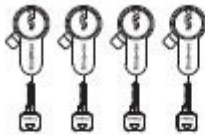


Product code	Description	Size (mm)	Packaging unit
0000421748	Blind cylinder variable	47-120	1

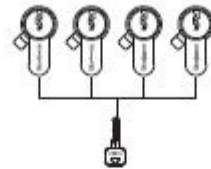
Custom Profile Cylinder Systems

**Product information**

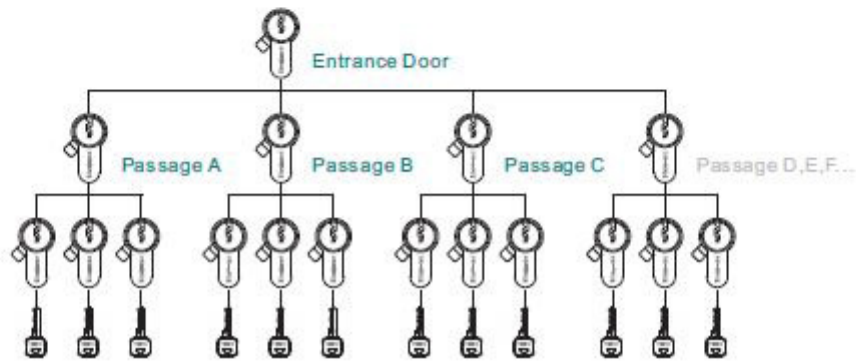
Special order profile cylinders available for a wide range of projects including Grand Master key, Master Key and Apartment Entrance style systems.



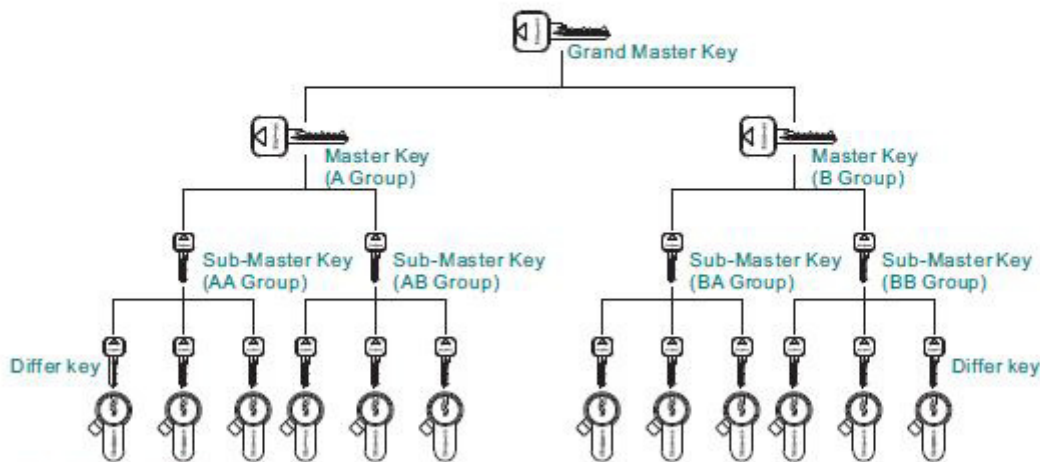
**KD=Keyed to differ**  
Each cylinder is opened by its own key



**KA=Keyed alike**  
All cylinders opened by the same key



**CK=Common Key System**  
Each key opens its own cylinder and the passage door and the common door. The common cylinder is usually for the main entrance door



**Grand Master Key System**  
Cylinder opened by their own key, their respective sub-master key, their respective master key and the grand master key

Note: Please contact Siegware for further information and ordering.