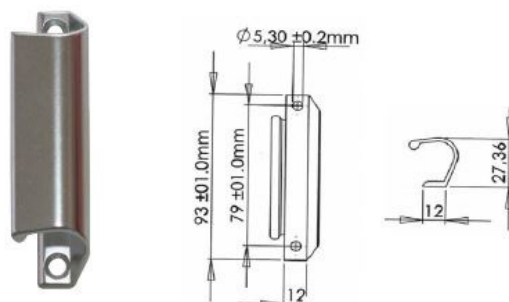


IMAT Patio Pull Handle - Type C

Product information

Coated and anodised finishes, and 79mm screw centres.

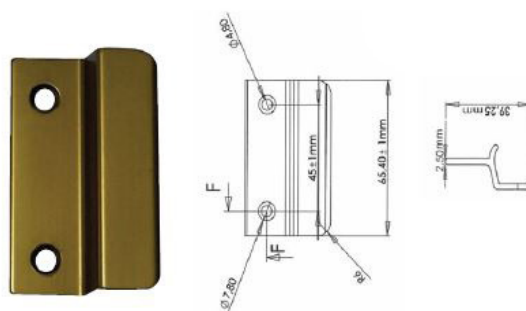


Product code	Description	Length	Colour	Packaging unit
IMCPATPUL9016	Coated patio pull handle - Type C	93mm	white	10
IMCPATPUL9005	Coated patio pull handle - Type C	93mm	black	10
IMCPATPULEF01	Anodised patio pull handle - Type C	93mm	silver	10

IMAT Patio Pull Handle - Type H

Product information

Coated and anodised finishes, and 45mm screw centres.

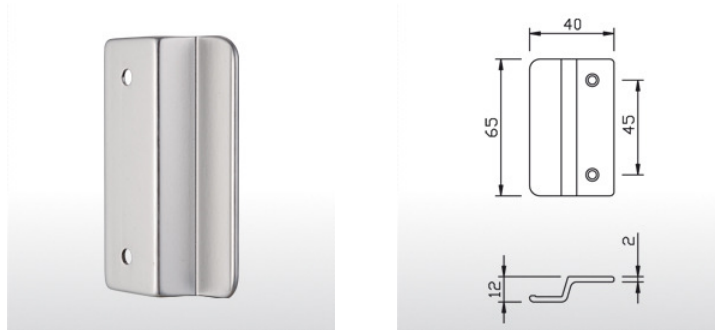


Product code	Description	Length	Colour	Packaging unit
IMHPATPUL9016	Coated patio pull handle - Type H	65mm	white	10
IMHPATPUL9005	Coated patio pull handle - Type H	65mm	black	10
IMHPATPULEF01	Anodised patio pull handle - Type H	65mm	silver	10

greenteQ Patio Pull Handle - Type 2

Product information

For balcony and terrace doors made of wood or uPVC.

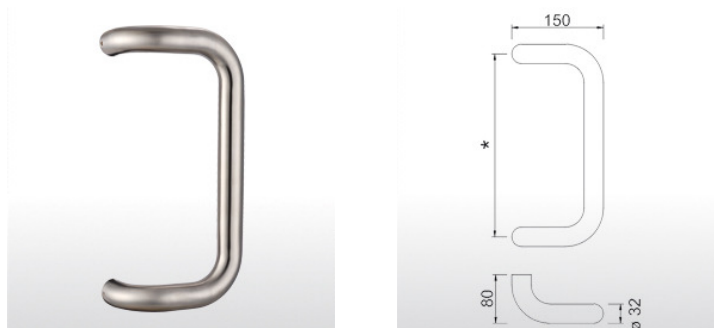


Product code	Description	Material	Colour / Finish	Packaging unit
GTPATPUL-WHT	External pull handle for patio doors	aluminium	white coated	1
GTPATPUL-SIL	External pull handle for patio doors	aluminium	silver anodized	1

greenteQ U Style Pull Handle

Product information

For single or double sided use, on interior and exterior doors, diameter of handle 32mm, fixing system BA 15 not included.

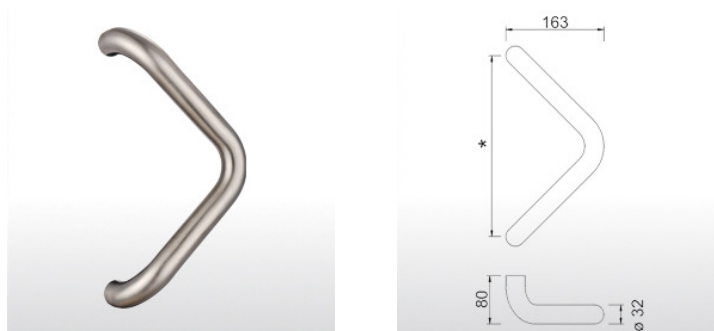


Product code	Description	Dimension between axes	Finish
GTUP332SS	'U' style pull bar for key operated doors	300mm	matt brushed

greenteQ V Style Pull Handle

Product information

For single or double sided use, on interior and exterior doors, diameter of handle 32mm, fixing system BA 15 not included.

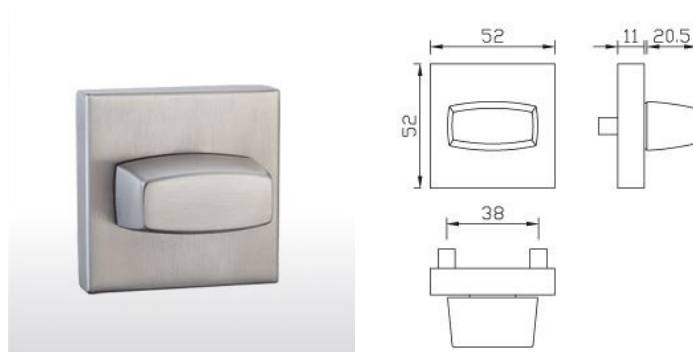


Product code	Description	Dimension between axes	Finish
GTVP332SS	'V' style pull bar for key operated doors	300mm	matt brushed

greenteQ Rotary Knob Handle

Product information

Mounted on rectangular rosette, two screws M4 x 50mm and adaptable spindle with rocker (8 x 60mm) included.

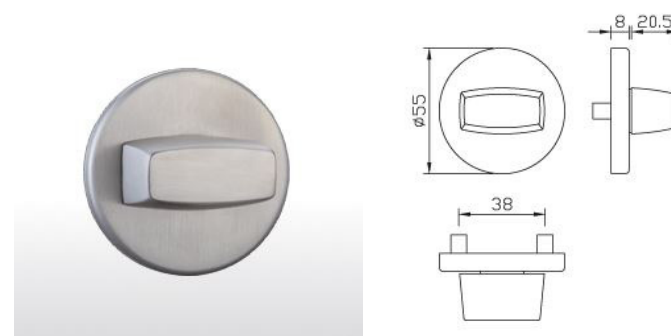


Product code	Description	Cam diameter	Cam clearance	Material	Packaging unit
GTSRK1SS	Rotary knob with rectangular rosette 52 x 52mm	7mm	38mm	stainless steel	10

greenteQ Rotary Knob Handle

Product information

Mounted on circular rosette, two screws M4 x 50mm and adaptable spindle with rocker (8 x 60mm) included.



Product code	Description	Cam diameter	Cam clearance	Material	Packaging unit
GTRRK1SS	Rotary knob with circular rosette 55mm diameter	7mm	38mm	stainless steel	10