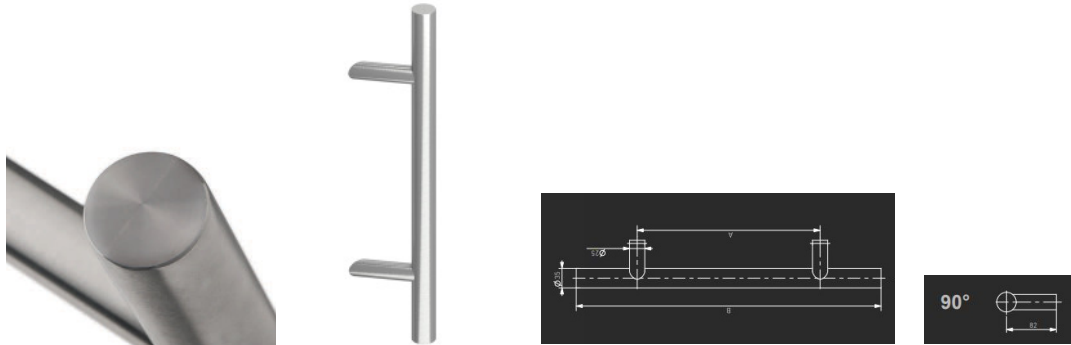


Medos Paris Round Pull Bar - 90 deg Support

Product information

Door handle with 90° straight support made of extruded and machined aluminium, suitable for a one-sided door or for mounting in pairs on doors. Anodised and brushed finish with a diameter of 35mm, available in a variety of lengths.

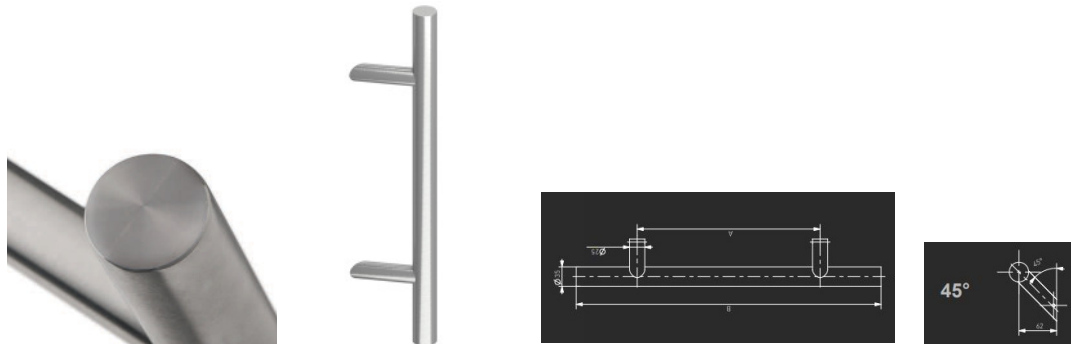


Product code	Description	Length	Hole Dimension	Finish	Colour
104PF150080090B	Round pull bar - 90 deg support	800mm	500mm	brushed - anodised	F1 silver
104PF650080090B	Round pull bar - 90 deg support	800mm	500mm	brushed - anodised	F6 stainless
104PF900550080090B	Round pull bar - 90 deg support	800mm	500mm	brushed - anodised	F9005 black
104PF1800120090B	Round pull bar - 90 deg support	1200mm	800mm	brushed - anodised	F1 silver
104PF6800120090B	Round pull bar - 90 deg support	1200mm	800mm	brushed - anodised	F6 stainless
104PF9005800120090B	Round pull bar - 90 deg support	1200mm	800mm	brushed - anodised	F9005 black
104PF11000170090B	Round pull bar - 90 deg support	1700mm	1000mm	brushed - anodised	F1 silver
104PF61000170090B	Round pull bar - 90 deg support	1700mm	1000mm	brushed - anodised	F6 stainless
104PF90051000170090B	Round pull bar - 90 deg support	1700mm	1000mm	brushed - anodised	F9005 black

Medos Paris Round Pull Bar - 45 deg Support

Product information

Door handle with 45° support made of extruded and machined aluminium, suitable for a one-sided door or for mounting in pairs on doors. Anodised and brushed finish with a diameter of 35mm, available in a variety of lengths.

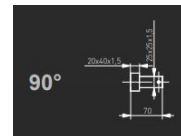
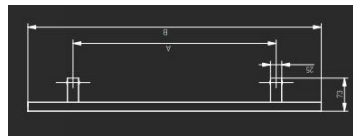
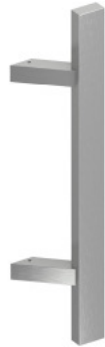


Product code	Description	Length	Hole Dimension	Finish	Colour
104PF150080045B	Round pull bar - 45 deg support	800mm	500mm	brushed - anodised	F1 silver
104PF650080045B	Round pull bar - 45 deg support	800mm	500mm	brushed - anodised	F6 stainless
104PF900550080045B	Round pull bar - 45 deg support	800mm	500mm	brushed - anodised	F9005 black
104PF1800120045B	Round pull bar - 45 deg support	1200mm	800mm	brushed - anodised	F1 silver
104PF6800120045B	Round pull bar - 45 deg support	1200mm	800mm	brushed - anodised	F6 stainless
104PF9005800120045B	Round pull bar - 45 deg support	1200mm	800mm	brushed - anodised	F9005 black
104PF11000170045B	Round pull bar - 45 deg support	1700mm	1000mm	brushed - anodised	F1 silver
104PF61000170045B	Round pull bar - 45 deg support	1700mm	1000mm	brushed - anodised	F6 stainless
104PF90051000170045B	Round pull bar - 45 deg support	1700mm	1000mm	brushed - anodised	F9005 black

Medos Lisbon Flat Pull Bar - 90 deg Support

Product information

Flat door handle with 90° straight support made of extruded and machined aluminium, suitable for a one-sided door or for mounting in pairs on doors. Flat stainless steel bar 20 x 40mm with an anodised and brushed finish, available in a variety of lengths.

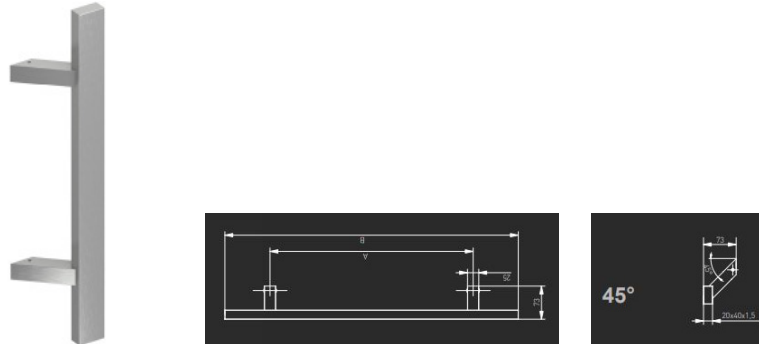


Product code	Description	Length	Hole Dimension	Finish	Colour
104LF150080090B	Flat pull bar - 90 deg support	800mm	500mm	brushed - anodised	F1 silver
104LF650080090B	Flat pull bar - 90 deg support	800mm	500mm	brushed - anodised	F6 stainless
104LF900550080090B	Flat pull bar - 90 deg support	800mm	500mm	brushed - anodised	F9005 black
104LF1800120090B	Flat pull bar - 90 deg support	1200mm	800mm	brushed - anodised	F1 silver
104LF6800120090B	Flat pull bar - 90 deg support	1200mm	800mm	brushed - anodised	F6 stainless
104LF9005800120090B	Flat pull bar - 90 deg support	1200mm	800mm	brushed - anodised	F9005 black
104LF11000170090B	Flat pull bar - 90 deg support	1700mm	1000mm	brushed - anodised	F1 silver
104LF61000170090B	Flat pull bar - 90 deg support	1700mm	1000mm	brushed - anodised	F6 stainless
104LF90051000170090B	Flat pull bar - 90 deg support	1700mm	1000mm	brushed - anodised	F9005 black

Medos Lisbon Flat Pull Bar - 45 deg Support

Product information

Flat door handle with 45° support made of extruded and machined aluminium, suitable for a one-sided door or for mounting in pairs on doors. Flat stainless steel bar 20 x 40mm with an anodised and brushed finish, available in a variety of lengths.

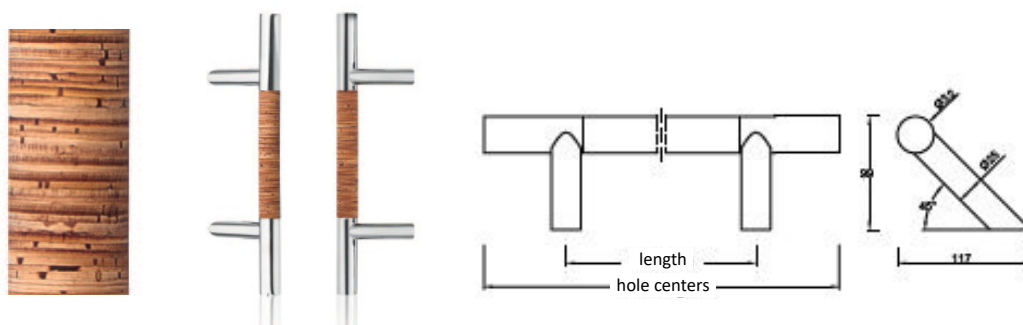


Product code	Description	Length	Hole Dimension	Finish	Colour
104LF150080045B	Flat pull bar - 45 deg support	800mm	500mm	brushed - anodised	F1 silver
104LF650080045B	Flat pull bar - 45 deg support	800mm	500mm	brushed - anodised	F6 stainless
104LF900550080045B	Flat pull bar - 45 deg support	800mm	500mm	brushed - anodised	F9005 black
104LF1800120045B	Flat pull bar - 45 deg support	1200mm	800mm	brushed - anodised	F1 silver
104LF6800120045B	Flat pull bar - 45 deg support	1200mm	800mm	brushed - anodised	F6 stainless
104LF9005800120045B	Flat pull bar - 45 deg support	1200mm	800mm	brushed - anodised	F9005 black
104LF11000170045B	Flat pull bar - 45 deg support	1700mm	1000mm	brushed - anodised	F1 silver
104LF61000170045B	Flat pull bar - 45 deg support	1700mm	1000mm	brushed - anodised	F6 stainless
104LF90051000170045B	Flat pull bar - 45 deg support	1700mm	1000mm	brushed - anodised	F9005 black

blaugelb Round Pull Handle with Birch Inlay - 45 deg Support

Product information

Stainless steel pull handle with 45° inclined support features a birch inlay. Suitable for a one-sided door or for mounting in pairs on doors.

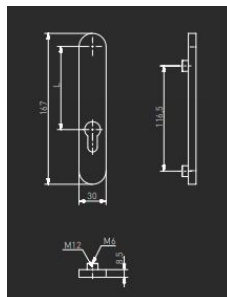


Product code	Description	Length	Hole Dimension	Material	Finish
0424973	Round pull bar with birch inlay - 45 deg support	800mm	600mm	stainless steel	fine matt

Medos Sofia Door Rosette

Product information

Door rosette available in three finishes.

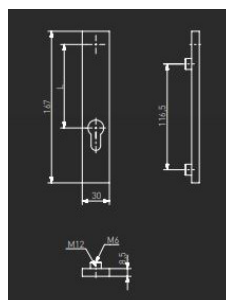


Product code	Description	Length	Width	Finish	Colour
50S292F1B	Door rosette set	167mm	30mm	brushed - anodised	F1 silver
50S292F6B	Door rosette set	167mm	30mm	brushed - anodised	F6 INOX
50S292F9005B	Door rosette set	167mm	30mm	brushed - anodised	F9005 black

Medos Riga Door Rosette

Product information

Door rosette available in three finishes.



Product code	Description	Length	Width	Finish	Colour
70R292F1B	Door rosette set	167mm	30mm	brushed - anodised	F1 silver
70R292F6B	Door rosette set	167mm	30mm	brushed - anodised	F6 INOX
70R292F9005B	Door rosette set	167mm	30mm	brushed - anodised	F9005 black

Medos Single Sided Fixing Screws

Product information

Pair of fixing screws for single sided pull bar handle. Suitable for 90° and 45° pull bar handles.



Product code	Description	System	Packaging unit
10400004500	Pull bar handle screw set - 2pcs	uPVC	1 set
10400000012	Pull bar handle screw set - 2pcs	timber	1 set

Medos Double Sided Fixing Screws

Product information

Pair of fixing screws for pull bar handle. Suitable for double side pull bar handles.



Product code	Description	Packaging unit
11400000010	Pull bar handle screw set - 2 pcs	1 set