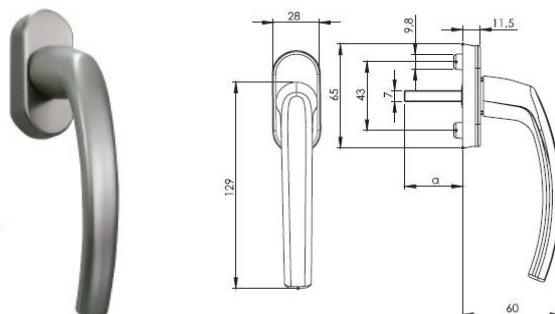


IMAT Oval Filiz Tilt & Turn Handle

Product information

Coated and anodised finishes, 43mm screw centres, and 40mm screws included.

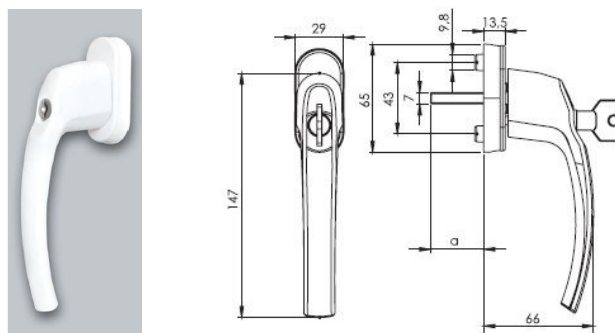


Product code	Material	Spindle	Finish	Colour	Packaging unit
IMTT9016OF	Tilt & turn handle	7 x 35mm	coated	white	50
IMTT9005OF	Tilt & turn handle	7 x 35mm	coated	black	50
IMTTEF01OF	Tilt & turn handle	7 x 35mm	anodised	silver	50
IMTTEF03OF	Tilt & turn handle	7 x 35mm	anodised	gold	50

IMAT Oval Filiz Tilt & Turn Lockable Handle

Product information

Coated and anodised finishes, 43mm screw centres, and 40mm screws included.

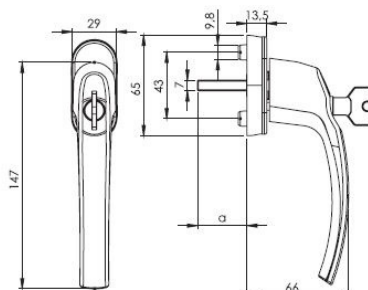


Product code	Material	Spindle	Finish	Colour	Packaging unit
IMLTT9016OF	Tilt & turn lockable handle	7 x 35mm	coated	white	50
IMLTT9005OF	Tilt & turn lockable handle	7 x 35mm	coated	black	50
IMLTTEF01OF	Tilt & turn lockable handle	7 x 35mm	anodised	silver	50
IMLTTEF03OF	Tilt & turn lockable handle	7 x 35mm	anodised	gold	50

IMAT Oval Filiz Tilt Before Turn Handle

Product information

Coated and anodised finishes, 43mm screw centres, and 40mm screws included.

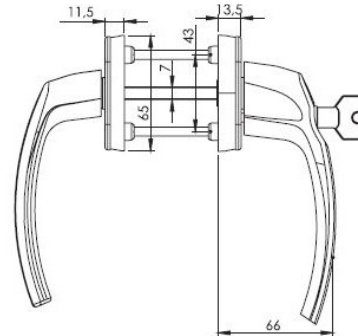


Product code	Material	Spindle	Finish	Colour	Packaging unit
IMLTBT9016OF	Tilt before turn lockable handle	7 x 35mm	coated	white	50
IMLTBT9005OF	Tilt before turn lockable handle	7 x 35mm	coated	black	50
IMLTBTEF01OF	Tilt before turn lockable handle	7 x 35mm	anodised	silver	50
IMLTBTEF03OF	Tilt before turn lockable handle	7 x 35mm	anodised	gold	50

IMAT Oval Filiz Lockable Balcony Set

Product information

Coated and anodised finishes, and 43mm screw centres (coated handles include spindle kit).

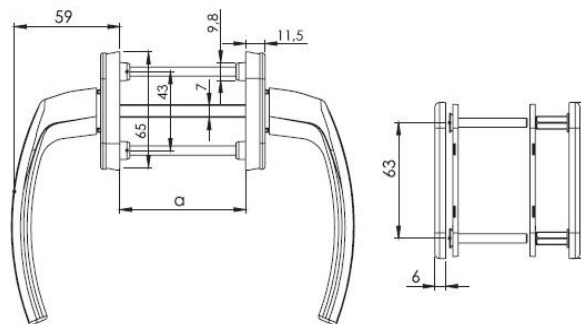


Product code	Description	Spindle	Finish	Colour	Packaging unit
IMBSL9016OF	Lockable balcony set - spindle kit included	7 x 100mm	coated	white	35
IMBSLEF01OF	Lockable balcony set	7 x 100mm	anodised	silver	35
ZMZP0010	Spindle kit for 75-84mm profile	-	-	-	1
ZMZP0020	Spindle kit for 65-74mm profile	-	-	-	1

IMAT Oval Filiz Balcony Set with Rosette

Product information

Coated and anodised finishes, and 43mm screw centres (coated handles include spindle kit).

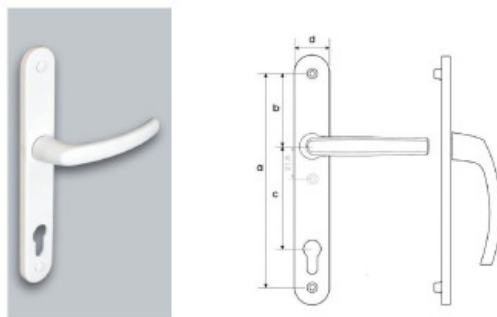


Product code	Material	Spindle	Finish	Colour	Packaging unit
IMBSR9016OF	Balcony set with rosette, without lock, spindle kit included	7 x 100mm	coated	white	15
IMBSR9005OF	Balcony set with rosette, without lock, spindle kit included	7 x 100mm	coated	black	15
IMBSREF01OF	Balcony set with rosette, without lock	7 x 100mm	anodised	silver	15
IMBSREF03OF	Balcony set with rosette, without lock	7 x 100mm	anodised	gold	15
ZMZP0010	Spindle kit for 75-84mm profile	-	-	-	1
ZMZP0020	Spindle kit for 65-74mm profile	-	-	-	1

IMAT Oval Filiz Entrance Handle

Product information

Coated and anodised finishes, 92mm PZ distance, with screws and spindle supplied.

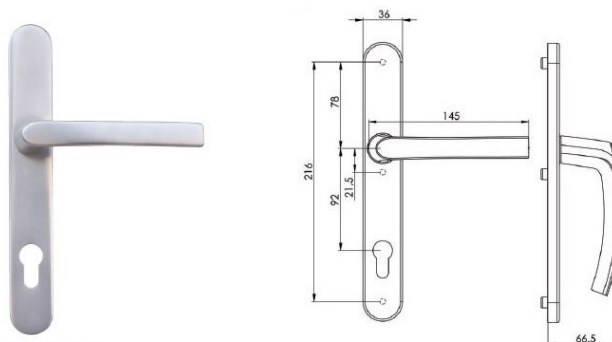


Product code	Description	Spindle	Faceplate size	Finish	Colour	Packaging unit
IM28EH9016OF	Internal/external entrance lever handle set	8 x 115mm	28mm	coated	white	25
IM28EH9005OF	Internal/external entrance lever handle set	8 x 115mm	28mm	coated	black	25
IM30EHEF01OF	Internal/external entrance lever handle set	8 x 115mm	30mm	anodised	silver	25
IM30EHEF03OF	Internal/external entrance lever handle set	8 x 115mm	30mm	anodised	gold	25

IMAT Bati Entrance Handle

Product information

Coated and anodised finishes, 92mm PZ distance, with screws and spindle supplied. Clip on faceplate for concealed fixings.



Product code	Description	Spindle	Faceplate size	Finish	Colour	Packaging unit
IM36EH9016BA	Internal/external entrance lever handle set	8 x 130mm	36mm	coated	white	25
IM36EHEF01BA	Internal/external entrance lever handle set	8 x 130mm	36mm	anodised	silver	25
IM36EHEF03BA	Internal/external entrance lever handle set	8 x 130mm	36mm	anodised	gold	25