

SIEGWARE
Architectural Innovations



Window Hardware Catalogue

Issue: 6/5/2026

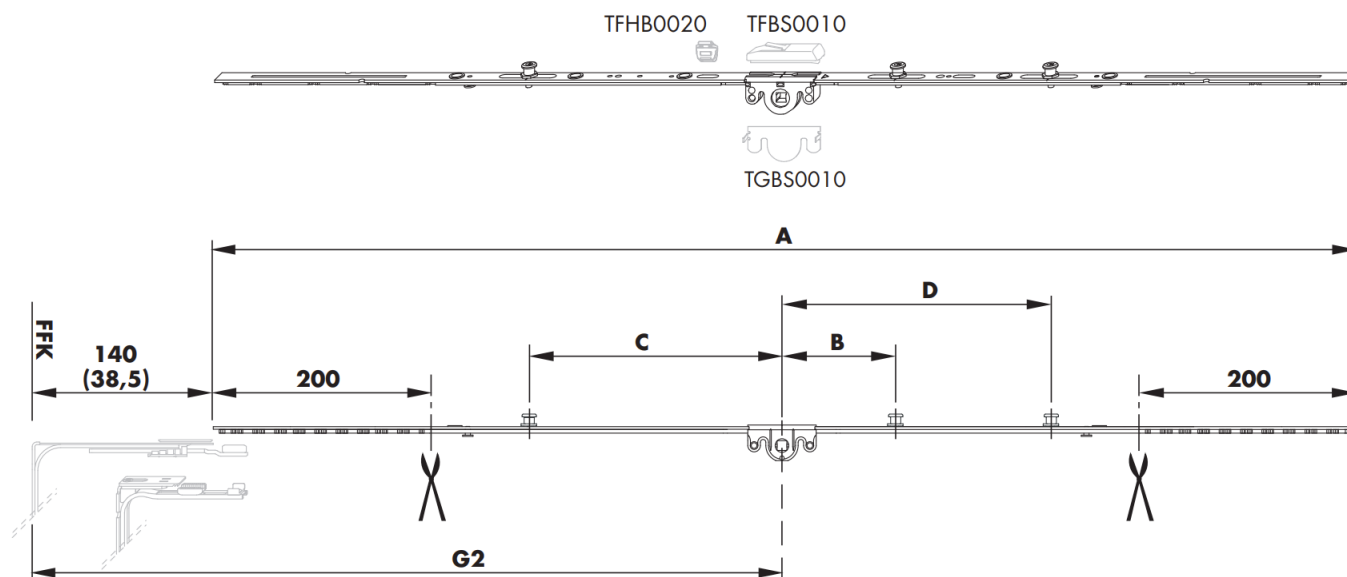
Tilt & Turn	3
Gears	3
Gear 15	3
Gear 7	5
Secondary Sash Gear	6
OS Gear	8
Additional Gearboxes	9
Stays	11
Tilt & Turn Stays	11
Tilt Before Turn Stays	15
Turn Only Stays	17
Brake Stays	19
Friction Stays	20
Additional Stays	22
IP/Z Stays	23
Timber Hinge Parts	24
Top Hinge	24
Bottom Hinge	25
Stay Hinge	26
Rebate Corner Hinge	27
uPVC Hinge Parts	28
Top Hinge	28
Bottom Hinge - Surface Mounted	29
Bottom Hinge - Concealed	30
Stay Hinge	31
Corner Sash Hinge - Surface Mounted	32
Corner Sash Hinge - Concealed	33
Rebate Corner Sash Hinge	34
Sash Hinge	35
Corner Drives	36
Standard	36
Non-Standard	39
Narrow	43
Backside - Standard	45
Backside - Croppable	46
Linkages	47
Timber Striker Plates	53
uPVC Striker Plates	54
Tilt Lock Bearings	56
Tilt + Turn	56
Tilt Before Turn	58
Cover Caps	59
Accessories	68
Energy Saving Stay	68
Mishandling Device	69
Snapper	70
Frame Part	71
Sash Part	72
Shoot Bolt	73
Locking Bolt	76
Packer	79
Sleeve Nut	81
Jigs	82
Tilt Only	84
Gears	84
Stays	85
Hinge Parts	87
Outward Opening	89
Siegenia Multi-Point	89

*Click on any of the items below to jump to page

Gears	89
Corner Drives	91
Linkages	92
Strikers	93
MACO Multi-Point	94
Gears	94
Night Vent Strikers	96
Friction Stays	97
Cotswold	97
Kelegent	101
Awning Operators	104
Elite-04	104
Elite-05	107
Sash Locks	112
Latch Plates	113
Casement Operators	114
Elite-06	114
Strikers	118
Hinges	119
Inlide Slide Siegenia	121
Gear	121
Distance Pieces	123
Strikers	124
Bogies	125
Stops	128
Inline Slide Kelegent	129
Gear	129
Gear 7.5	129
Gear 15	130
Strikers	131
Rollers	132
Standard Rollers	132
Heavy Duty Rollers	133
Restrictors	134
Gaskets	148
Window & Door Tools	149
Siegenia	149
KFV	153
Maco	154

Siegenia TITAN AF Gear 15

Tilt & turn gear with 15mm backset



Product Code	Description	FFH	G2	A	B	C	Cams	Screws	Surface Finish	P.U.
TGMK4010-100010	Gear 15 AF SZ 20	260-600	130-300	630	-	-	0	0	Titan Silver	25
TGMK4020-100010	Gear 15 AF SZ 60	601-1000	300-500	720	-	-	0	2	Titan Silver	25
TGMK4040-100010	Gear 15 AF SZ 80 1RS	801-1200	400-600	920	80	-	1	3	Titan Silver	25
TGMK4160-100010	Gear 15 AF SZ 120 2RS	1201-1600	600-800	1320	280	220	2	6	Titan Silver	25
TGMK4170-100010	Gear 15 AF SZ 160 2RS	1601-2000	800-1000	1720	392	408	2	7	Titan Silver	10
TGMK4110-100010	Gear 15 AF SZ 200 3RS	2001-3000	1000-1500	2120	392	408	3	9	Titan Silver	10
TGMK4010-200010	Gear 15 AF SZ 20	260-600	130-300	630	-	-	0	0	Elook Coastal	25
TGMK4020-200010	Gear 15 AF SZ 60	601-1000	300-500	720	-	-	0	2	Elook Coastal	25
TGMK4040-200010	Gear 15 AF SZ 80 1RS	801-1200	400-600	920	80	-	1	3	Elook Coastal	25
TGMK4160-200010	Gear 15 AF SZ 120 2RS	1201-1600	600-800	1320	280	220	2	6	Elook Coastal	25
TGMK4170-200010	Gear 15 AF SZ 160 2RS	1601-2000	800-1000	1720	392	408	2	7	Elook Coastal	10
TGMK4110-200010	Gear 15 AF SZ 200 3RS	2001-3000	1000-1500	2120	392	408	3	9	Elook Coastal	10

*Dimensions (mm)

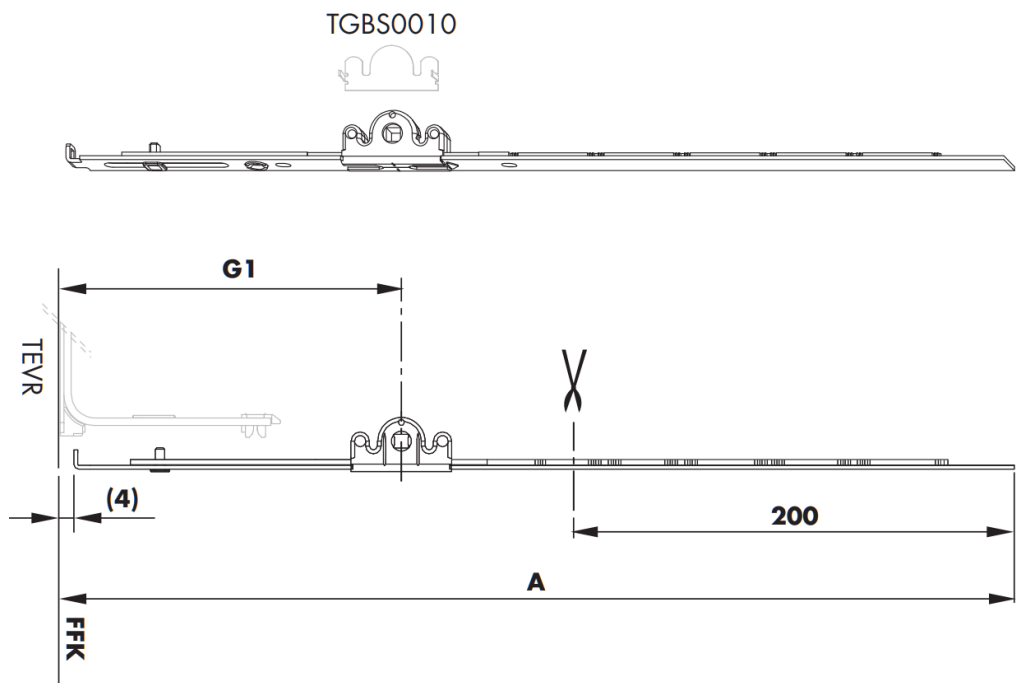


Catalogue not up to date?
Scan the QR or [click here](#)
to view the latest version

[Click to jump back to top](#)

Siegenia TITAN AF Gear 15 - Fixed Handle Position

Tilt & turn gear with fixed handle height of 180mm (alternate corner drive is required - recommend TEVR1400-100010).



Product Code	Description	G1	A	Cams	Screws	Surface Finish	Packaging Unit
TGKK3010-100010	Gear 15 sz 30/G180	180	495	0	1	Titan Silver	25

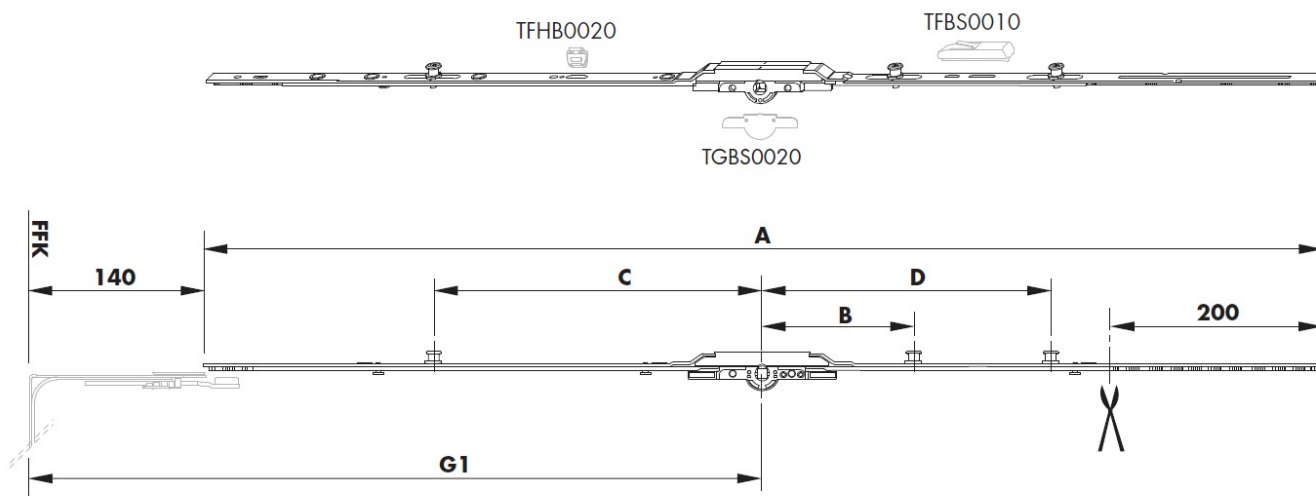


Catalogue not up to date?
Scan the QR or [click here](#)
to view the latest version

[Click to jump back to top](#)

Siegenia TITAN AF Gear 7

Tilt & turn gear with 7mm backset.



Product Code	Description	FFH	G1	A	B	C	Cams	Screws	Surface Finish	P.U.
TGMK1310-100011	Gear 7 AF SZ 20	260-600	130-300	630	-	-	0	0	Titan Silver	25
TGMK1320-100011	Gear 7 AF SZ 60	601-1000	300-500	720	-	-	0	2	Titan Silver	25
TGMK1340-100011	Gear 7 AF SZ 80 1RS	801-1200	400-600	920	80	-	1	3	Titan Silver	25
TGMK1350-100011	Gear 7 AF SZ 120 1RS	1201-1600	600-800	1320	80	-	1	5	Titan Silver	25
TGMK1360-100010	Gear 7 AF SZ 160 2RS	1601-2000	800-1000	1720	382	408	2	7	Titan Silver	10

*Dimensions (mm)

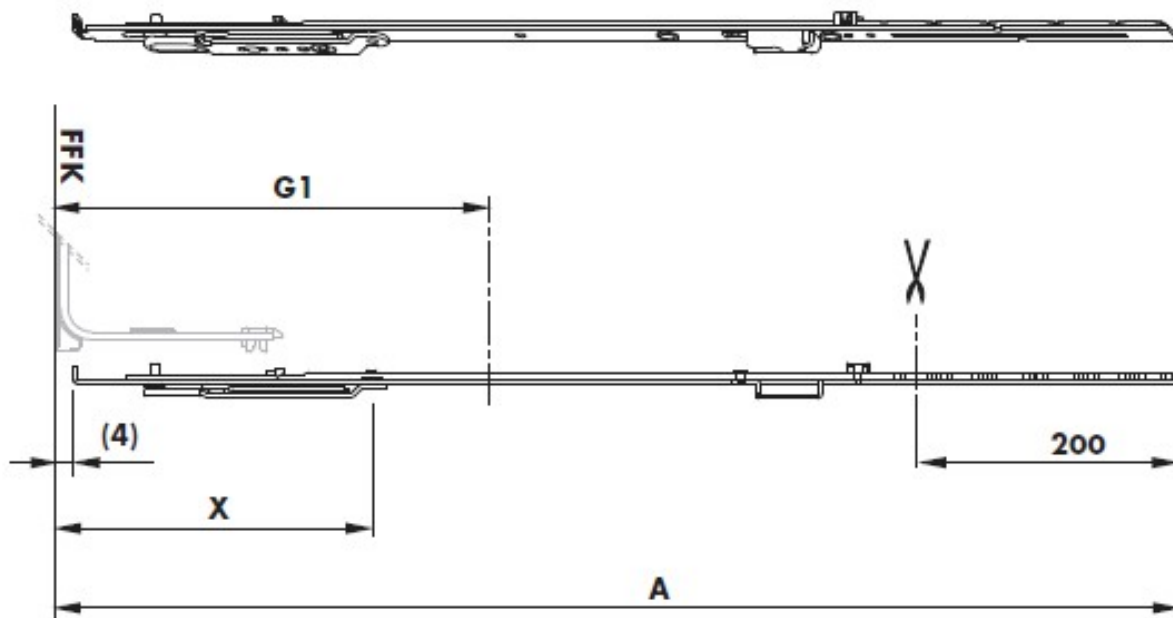


Catalogue not up to date?
Scan the QR or [click here](#)
to view the latest version

[Click to jump back to top](#)

Siegenia TITAN AF Secondary Sash Gear

Secondary gear for double doors and windows.



Product Code	Description	G1	A	X	Striker	Screws	Surface Finish	Packaging Unit
TGKS0010-100012	Sec sash gear SZ 30	180	495	168	0	2	Titan Silver	25
TGKS0010-200012	Sec sash gear SZ 30	180	495	168	0	2	Elook Coastal	25

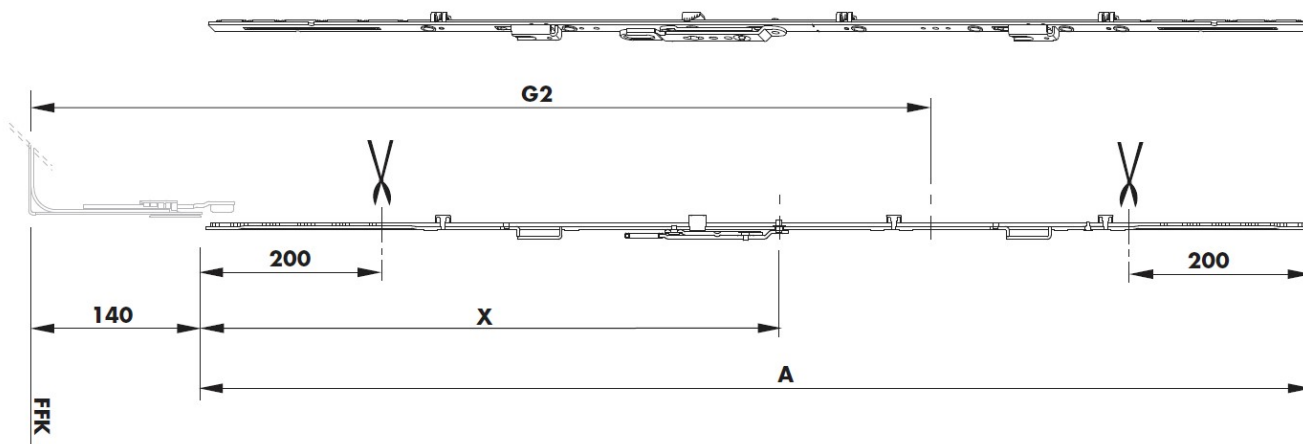


Catalogue not up to date?
Scan the QR or [click here](#)
to view the latest version

[Click to jump back to top](#)

Siegenia TITAN AF Secondary Sash Gear

Secondary gear for double doors and windows.



Product Code	Description	FFH	G2	A	X	Striker	Screws	Surface Finish	P.U.
TGMS4030-100011	Sec sash gear SZ 70	701-1100	350-550	820	359	1	3	Titan Silver	25
TGMS4040-100010	Sec sash gear SZ 80	801-1200	400-600	920	365	1	3	Titan Silver	25
TGMS4120-100010	Sec sash gear SZ 120	1201-1600	600-800	1320	365	1	5	Elook Coastal	25
TGMS4130-100010	Sec sash gear SZ 160	1601-2000	800-1000	1720	710	2	8	Titan Silver	10
TGMS4100-100012	Sec sash gear SZ 200	2001-3000	1000-1500	2120	910	2	9	Titan Silver	10
TGMS4030-200011	Sec sash gear SZ 70	701-1100	350-550	820	359	1	3	Elook Coastal	25
TGMS4040-200010	Sec sash gear SZ 80	801-1200	400-600	920	365	1	3	Elook Coastal	25
TGMS4120-200011	Sec sash gear SZ 120	1201-1600	600-800	1320	365	1	5	Elook Coastal	25
TGMS4130-200010	Sec sash gear SZ 160	1601-2000	800-1000	1720	710	2	8	Elook Coastal	10
TGMS4100-200012	Sec sash gear SZ 200	2001-3000	1000-1500	2120	910	2	9	Elook Coastal	10

*Dimensions (mm)



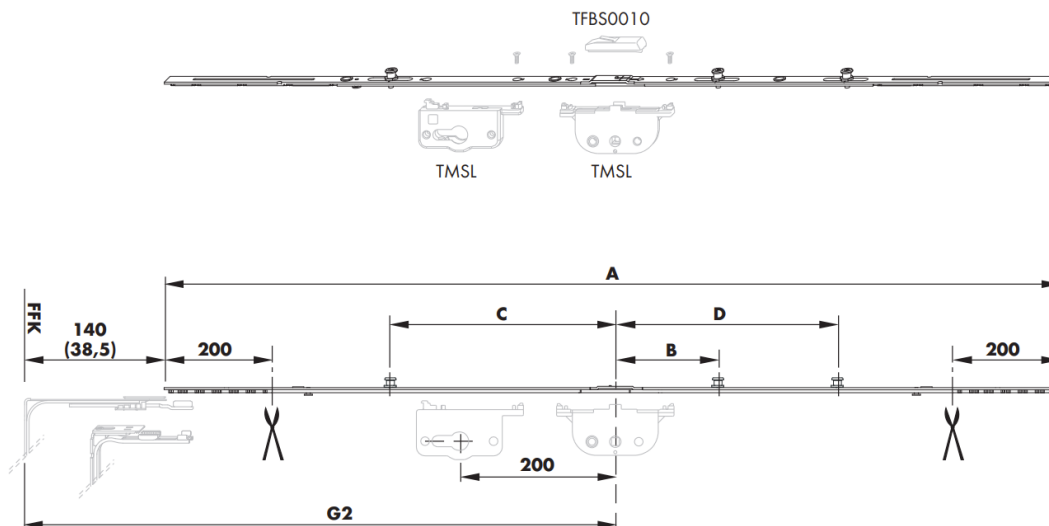
Catalogue not up to date?
Scan the QR or [click here](#)
to view the latest version

[Click to jump back to top](#)

Siegenia TITAN AF-OS Gear

OS gears to be used in conjunction with TMSL gear sets.

Can also be used as Male/Male Linkages.



Product Code	Description	FFH	G2	A	B	C	Cams	Screws	Surface Finish	P.U.
TGMK0500-100010	Gear OS/PZ AF SZ - 60	600-1000	300-500	720	-	-	0	1	Titan Silver	25
TGMK0510-100010	Gear OS/PZ AF SZ - 80 1RS	801-1200	400-600	920	80	-	1	2	Titan Silver	25
TGMK0550-100010	Gear OS/PZ AF SZ - 120 1RS	1201-1600	600-800	1320	80	-	1	4	Titan Silver	25
TGMK0560-100010	Gear OS/PZ AF SZ - 160 2RS	1601-2000	800-1000	1720	392	408	2	6	Titan Silver	10
TGMK0570-100010	0 Gear OS/PZ AF SZ - 200 2RS	2001-3000	1000-1500	2120	392	408	2	8	Titan Silver	10
TGMK0500-200010	Gear OS/PZ AF SZ - 60	600-1000	300-500	720	-	-	0	1	Elook Coastal	25
TGMK0510-200010	Gear OS/PZ AF SZ - 80 1RS	801-1200	400-600	920	80	-	1	2	Elook Coastal	25
TGMK0550-200010	Gear OS/PZ AF SZ - 120 1RS	1201-1600	600-800	1320	80	-	1	4	Elook Coastal	25
TGMK0560-200010	Gear OS/PZ AF SZ - 160 2RS	1601-2000	800-1000	1720	392	408	2	6	Elook Coastal	10
TGMK0570-200010	0 Gear OS/PZ AF SZ - 200 2RS	2001-3000	1000-1500	2120	392	408	2	8	Elook Coastal	10

*All dimensions in mm. Please note that PZ box assembly only possible from size 120 upwards.

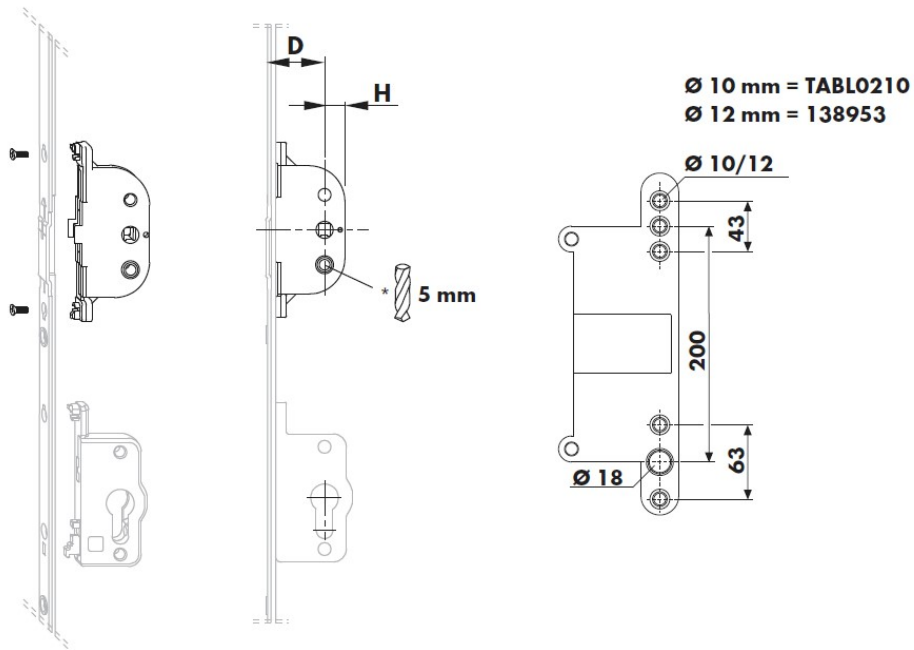


Catalogue not up to date?
Scan the QR or [click here](#)
to view the latest version

[Click to jump back to top](#)

Siegenia TITAN AF Gear Sets

Spindle gearbox in variable sizes.



Product Code	Description	Backset (mm)	Surface Finish	Packaging Unit
TMSL4250-100010	Gear set	25	Titan Silver	50
TMSL4300-100010	Gear set	30	Titan Silver	50
TMSL4350-100010	Gear set	35	Titan Silver	50
TMSL4400-100010	Gear set	40	Titan Silver	50
TMSL4450-100010	Gear set	45	Titan Silver	50
TMSL4250-200010	Gear set	25	Elook Coastal	50
TMSL4300-200010	Gear set	30	Elook Coastal	50
TMSL4350-200010	Gear set	35	Elook Coastal	50
TMSL4400-200010	Gear set	40	Elook Coastal	50

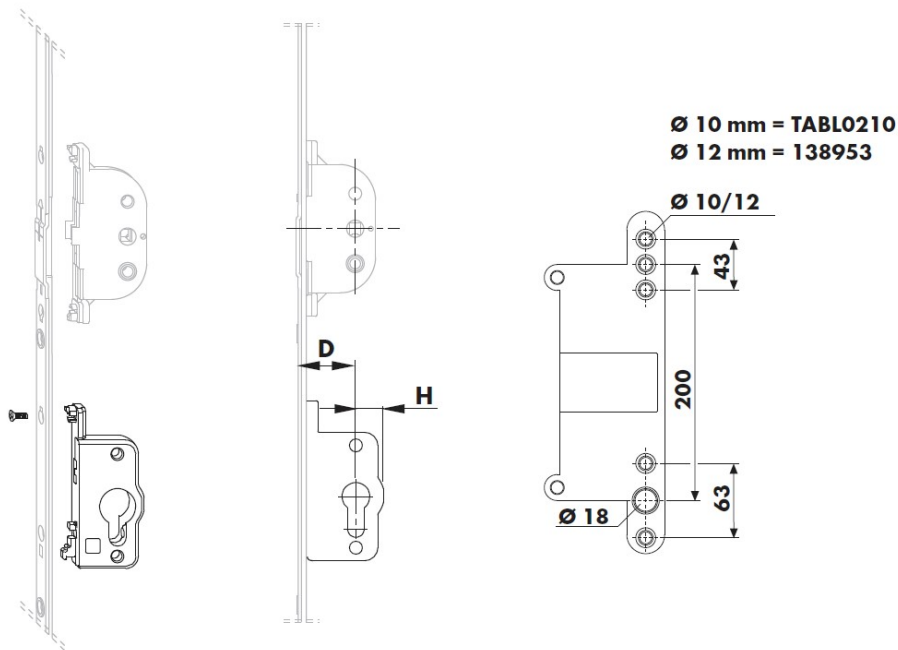


Catalogue not up to date?
Scan the QR or [click here](#)
to view the latest version

[Click to jump back to top](#)

Siegenia TITAN AF-PZ Gear Sets

PZ lockable gearbox in variable sizes.



Product Code	Description	Backset (mm)	Surface Finish	Packaging Unit
TMSL1250-100010	PZ gear set	25	Titan Silver	50
TMSL1300-100010	PZ gear set	30	Titan Silver	50
TMSL1350-100010	PZ gear set	35	Titan Silver	50
TMSL1400-100010	PZ gear set	40	Titan Silver	50
TMSL1450-100010	PZ gear set	45	Titan Silver	50
TMSL1250-200010	PZ gear set	25	Elook Coastal	50
TMSL1300-200010	PZ gear set	30	Elook Coastal	50
TMSL1350-200010	PZ gear set	35	Elook Coastal	50
TMSL1400-200010	PZ gear set	40	Elook Coastal	50

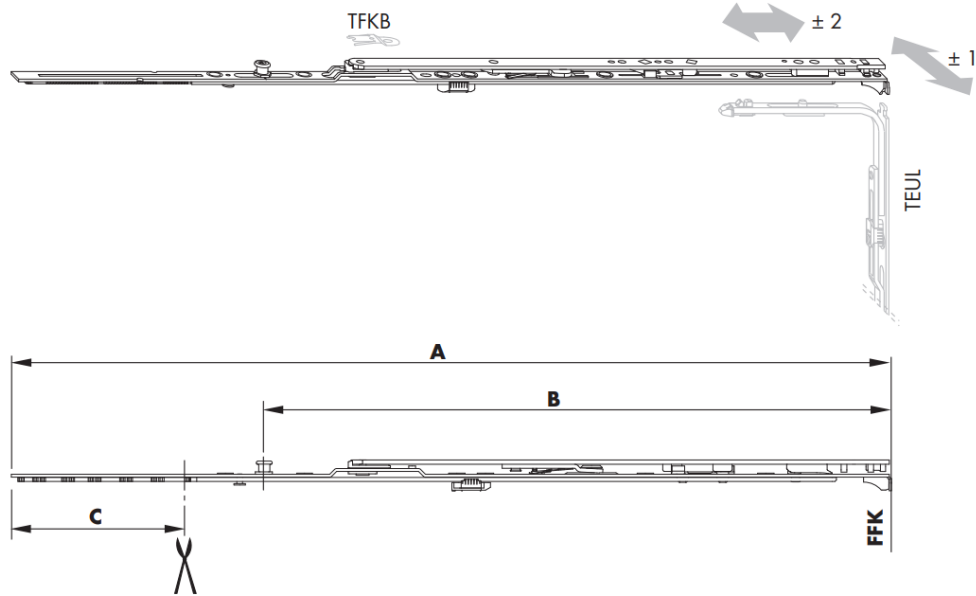


Catalogue not up to date?
 Scan the QR or [click here](#)
 to view the latest version

[Click to jump back to top](#)

Siegenia TITAN AF Stay

Scissor stay for tilt & turn windows and doors.



Product Code	Description	FFB	A	B	C	Cams	Screws	Surface Finish	Packaging Unit
TSKK2000-100010	Stay AF SZ 0	230-450	405	-	225	0	2	Titan Silver	25
TSKK2010-100010	Stay AF SZ 1	451-680	540	-	252	0	3	Titan Silver	25
TSKK2020-100010	Stay AF SZ 2	681-850	740	-	202	0	4	Titan Silver	25
TSKK2120-100010	Stay AF SZ 2	681-850	740	456	202	1	4	Titan Silver	25
TSKK2030-100010	Stay AF SZ 3	851-1050	910	552	202	1	6	Titan Silver	25
TSKK2040-100010	Stay AF SZ 4	1051-1250	1110	552	202	1	7	Titan Silver	25
TSKK2000-200010	Stay AF SZ 0	230-450	405	-	225	0	2	E-Look Coastal	25
TSKK2010-200010	Stay AF SZ 1	451-680	540	-	252	0	3	E-Look Coastal	25
TSKK2120-200010	Stay AF SZ 2	681-850	740	456	202	1	4	E-Look Coastal	25
TSKK2030-200010	Stay AF SZ 3	851-1050	910	552	202	1	6	E-Look Coastal	25
TSKK2040-200010	Stay AF SZ 4	1051-1250	1110	552	202	1	7	E-Look Coastal	25

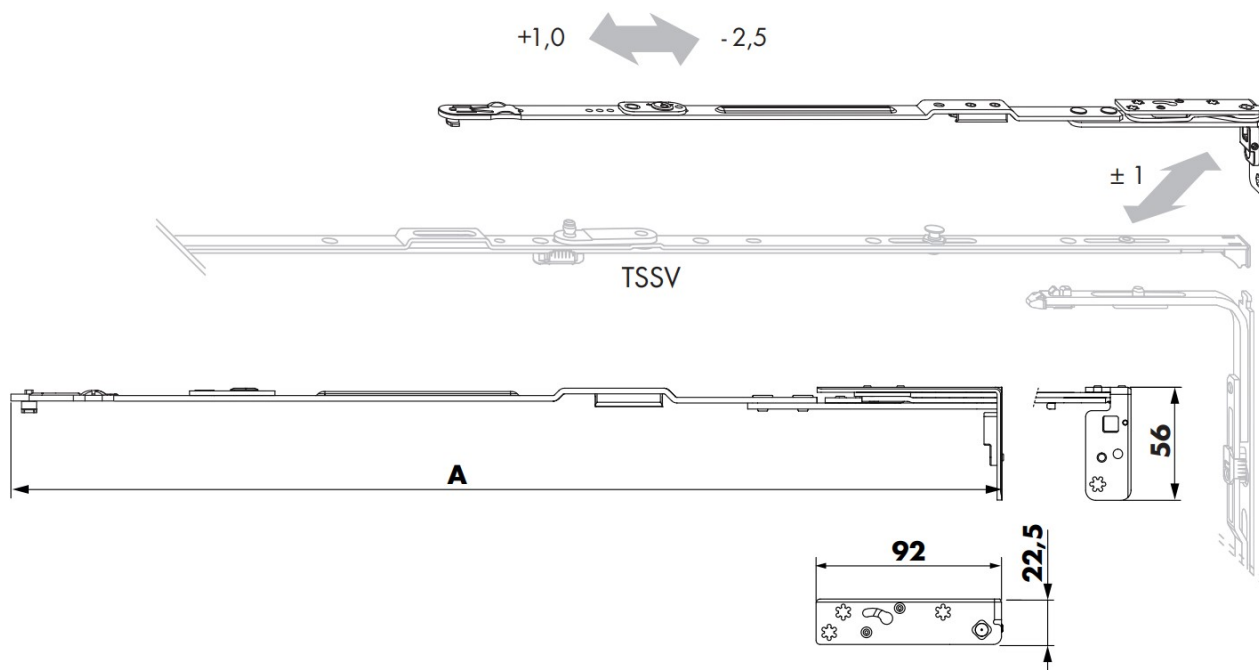


Catalogue not up to date?
Scan the QR or [click here](#)
to view the latest version

[Click to jump back to top](#)

Siegenia TITAN AF Concealed Stay AX 24

Concealed stay for tilt and turn window and doors.



Product Code	Description	Handing	FFB	A	B	Groove Axis	Sash Weight (kg)	Screws	Packaging Unit
TSAV4011-100010	stay arm sz 1 AX 24/13	right	360-680	313	80	13	130	5	25
TSAV4012-100010	stay arm sz 1 AX 24/13	left	360-680	313	80	13	130	5	25
TSAV4021-100010	stay arm sz 2+3 AX 24/13	right	681-850	368	140	13	150	5	25
TSAV4022-100010	stay arm sz 2+3 AX 24/13	left	681-850	368	140	13	150	5	25
TSAV4031-100010	stay arm sz 4 AX 24/13	right	851-1050	398	140	13	150	5	25
TSAV4032-100010	stay arm sz 4 AX 24/13	left	851-1050	398	140	13	150	5	25
TSAV4041-100010	stay arm sz 5 AX 24/13	right	1051-1250	531	140	13	150	5	25
TSAV4042-100010	stay arm sz 5 AX 24/13	left	1051-1250	531	140	13	150	5	25

*Dimensions (mm) & Sash Weight (kg)

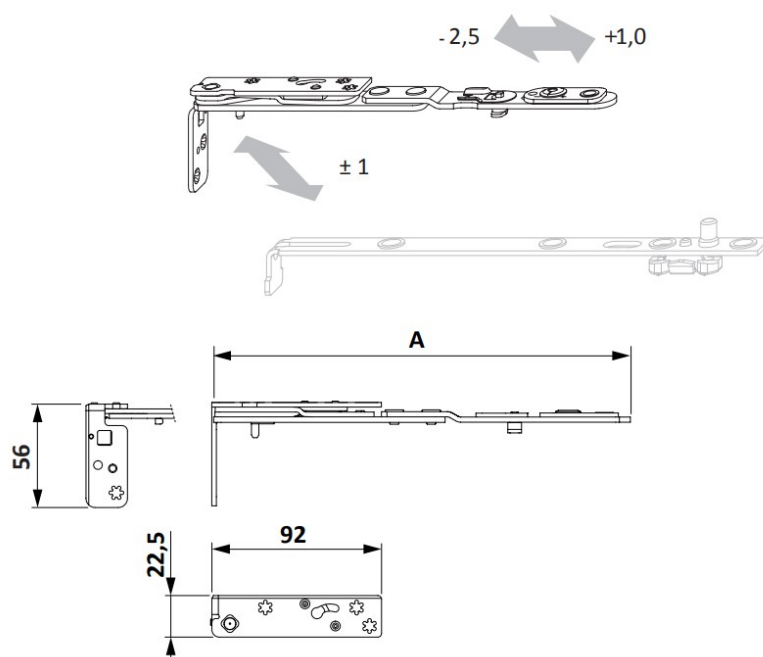


Catalogue not up to date?
Scan the QR or [click here](#)
to view the latest version

[Click to jump back to top](#)

Siegenia TITAN AF Concealed Stay Arm AX 24 DF

Concealed stay for tilt and turn.



Product Code	Description	Handing	Groove Axis	Sash weight (kg)	Screws	Packaging Unit
TSAV4091-100010	stay arm DF AX 24/13	right	13	100	5	25
TSAV4092-100010	stay arm DF AX 24/13	left	13	100	5	25
TSAV4291-100010	stay arm DF AX 30/13	right	13	100	6	25
TSAV4292-100010	stay arm DF AX 30/13	left	13	100	6	25

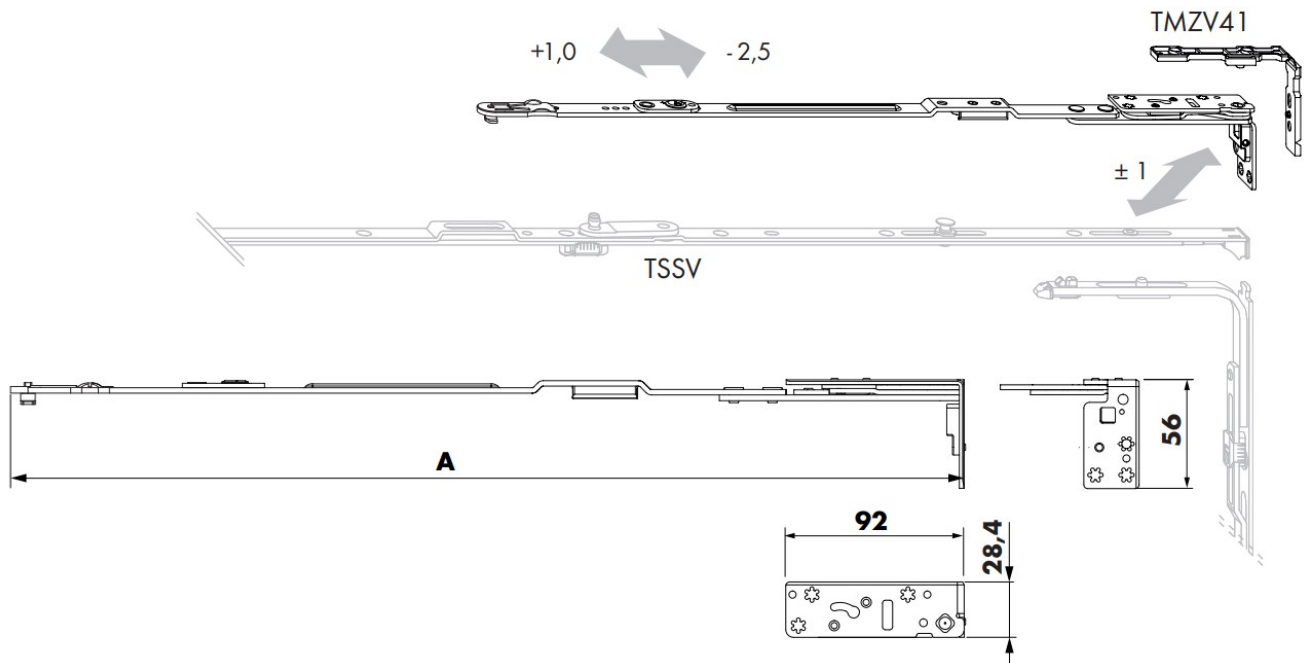


Catalogue not up to date?
Scan the QR or [click here](#)
to view the latest version

[Click to jump back to top](#)

Siegenia TITAN AF Concealed Stay Arm AX 30

Concealed stay for tilt and turn window and doors.



Product Code	Description	Handing	FFB	A	B	Groove Axis	Sash Weight (kg)	Screws	Packaging Unit
TSAV4211-100010	stay arm sz 1 AX 30/13	right	360 - 680	313	80	13	130	6	25
TSAV4212-100010	stay arm sz 1 AX 30/13	left	360 - 680	313	80	13	130	6	25
TSAV4221-100010	stay arm sz 2+3 AX 30/13	right	681 - 850	368	140	13	150	6	25
TSAV4222-100010	stay arm sz 2+3 AX 30/13	left	681 - 850	368	140	13	150	6	25
TSAV4231-100010	stay arm sz 4 AX 30/13	right	851 - 1050	398	140	13	150	6	25
TSAV4232-100010	stay arm sz 4 AX 30/13	left	851 - 1050	398	140	13	150	6	25
TSAV4241-100010	stay arm sz 5 AX 30/13	right	1051 - 1250	531	140	13	150	6	25
TSAV4242-100010	stay arm sz 5 AX 30/13	left	1051 - 1250	531	140	13	150	6	25

*Dimensions (mm)

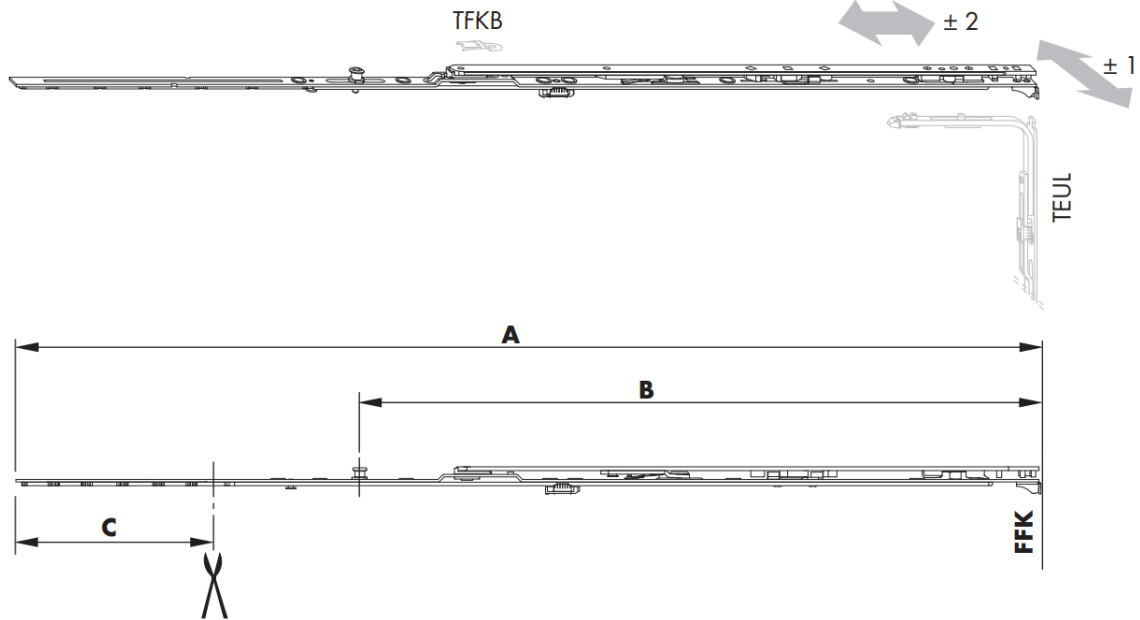


Catalogue not up to date?
Scan the QR or [click here](#)
to view the latest version

[Click to jump back to top](#)

Siegenia TITAN AF-TBT Stay

Scissor stay for tilt before turn windows and doors.



Product Code	Description	FFB	A	B	C	Cams	Screws	Surface Finish	Packaging Unit
TSKT2000-100010	Stay AF TBT SZ 0	250-450	405	-	225	-	2	Titan Silver	25
TSKT2010-100010	Stay AF TBT SZ 1	451-680	510	-	252	-	3	Titan Silver	25
TSKT2120-100010	Stay AF TBT SZ 2 1RS	681-850	740	456	202	1	4	Titan Silver	25
TSKT2030-100010	Stay AF TBT SZ 3 1RS	851-1050	910	552	202	1	6	Titan Silver	25
TSKT2040-100010	Stay AF TBT SZ 4 1RS	1051-1250	1110	552	202	1	7	Titan Silver	25
TSKT2000-200010	Stay AF TBT SZ 0	250-450	405	-	225	-	2	E-Look Coastal	25
TSKT2010-200010	Stay AF TBT SZ 1	451-680	510	-	252	-	3	E-Look Coastal	25
TSKT2120-200010	Stay AF TBT SZ 2 1RS	681-850	740	456	202	1	4	E-Look Coastal	25
TSKT2030-200010	Stay AF TBT SZ 3 1RS	851-1050	910	552	202	1	6	E-Look Coastal	25
TSKT2040-200010	Stay AF TBT SZ 4 1RS	1051-1250	1110	552	202	1	7	E-Look Coastal	25

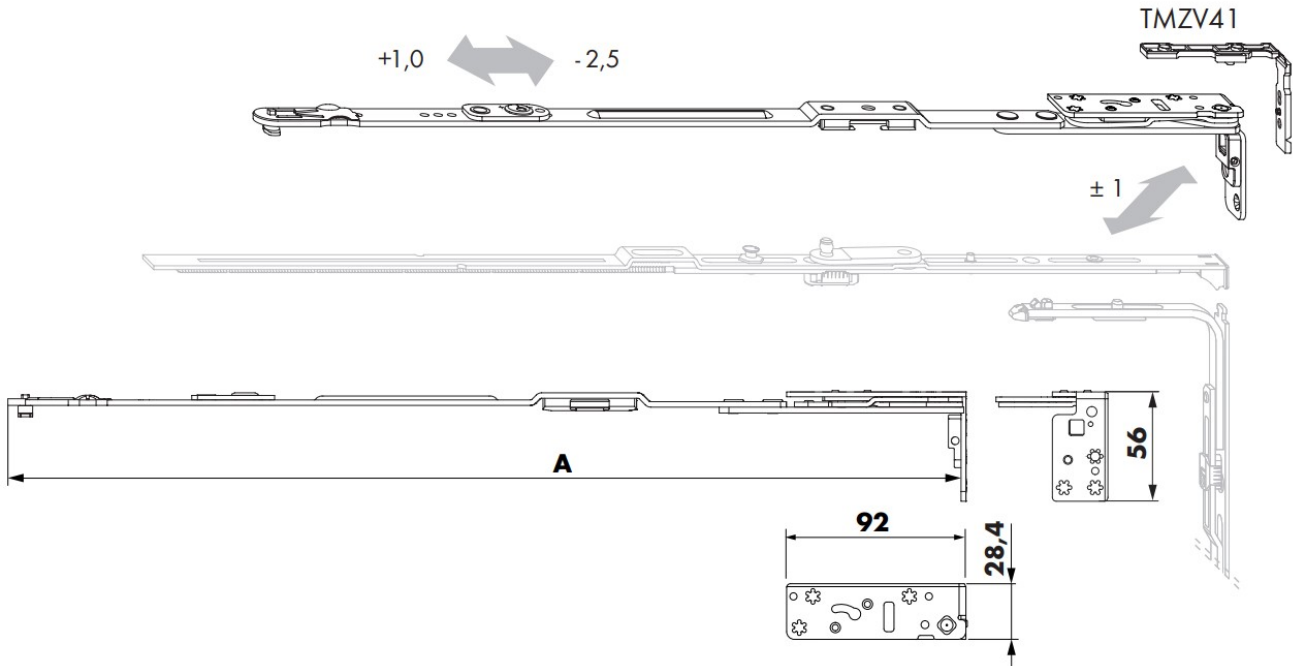


Catalogue not up to date?
Scan the QR or [click here](#)
to view the latest version

[Click to jump back to top](#)

Siegenia TITAN AF TBT Concealed Stay

Concealed stay for tilt before turn windows and doors.



Product Code	Description	Handing	FFB	A	B	Groove Axis	Sash Weight (kg)	Screws	Packaging Unit
TSAV4251-100011	stay arm TBT sz 1 AX 30/13	right	380 - 680	313	80	13	130	6	25
TSAV4252-100011	stay arm TBT sz 1 AX 30/13	left	380 - 680	313	80	13	130	6	25
TSAV4261-100010	stay arm TBT sz 2+3 AX 30/13	right	681 - 850	368	140	13	150	6	25
TSAV4262-100010	stay arm TBT sz 2+3 AX 30/13	left	681 - 850	368	140	13	150	6	25
TSAV4271-100010	stay arm TBT sz 4 AX 30/13	right	851 - 1050	398	140	13	150	6	25
TSAV4272-100010	stay arm TBT sz 4 AX 30/13	left	851 - 1050	398	140	13	150	6	25
TSAV4281-100010	stay arm TBT sz 5 AX 30/13	right	1051 - 1250	531	140	13	150	6	25
TSAV4282-100010	stay arm TBT sz 5 AX 30/13	left	1051 - 1250	531	140	13	150	6	25

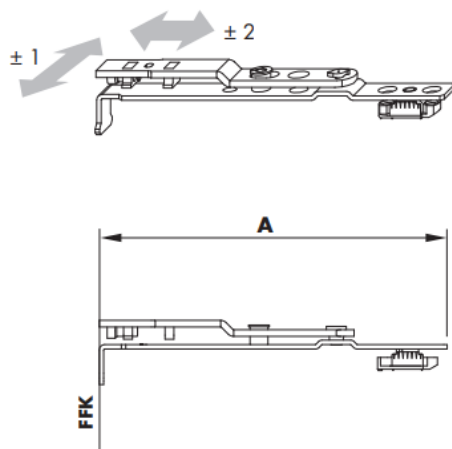


Catalogue not up to date?
Scan the QR or [click here](#)
to view the latest version

[Click to jump back to top](#)

Siegenia TITAN AF Stay DF/MN

Top turn only stay for windows and doors, Eurogroove fit



Product Code	Description	Dimensions (mm)	Cams	Screws	Surface Finish	Packaging Unit
TSKD1010-100010	Stay DF/MN	157	0	3	Titan Silver	100
TSKD1010-200010	Stay DF/MN	157	0	3	E-Look Coastal	100

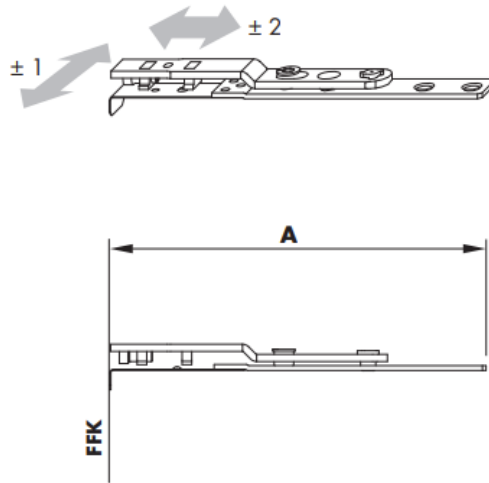


Catalogue not up to date?
Scan the QR or [click here](#)
to view the latest version

[Click to jump back to top](#)

Siegenia TITAN AF Stay DF/ON

Top turn only stay for timber windows and doors, surface fit.



Product Code	Description	Dimensions (mm)	Cams	Screws	Surface Finish	Packaging Unit
TSKD1020-100010	Stay DF/ON	157	0	3	Titan Silver	100

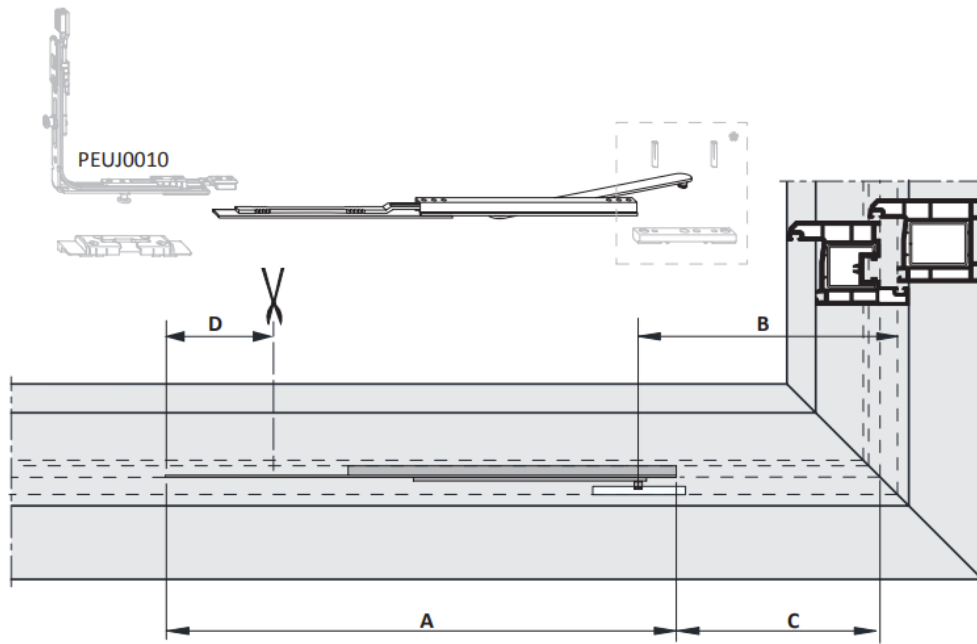


Catalogue not up to date?
Scan the QR or [click here](#)
to view the latest version

[Click to jump back to top](#)

Siegenia TITAN AF Adjustable Brake Stay

Sash brake used for holding windows open in the turn position.



Product Code	Description	FFB	A	B	C	D	Surface Finish	Packaing Unit
TSBR0040-100010	Brake stay TAB SZ 1	470-690	540	55	18	200	Titan Silver	10
TSBR0050-100010	Brake stay TAB SZ 2	691-960	718	132	104	250	Titan Silver	10

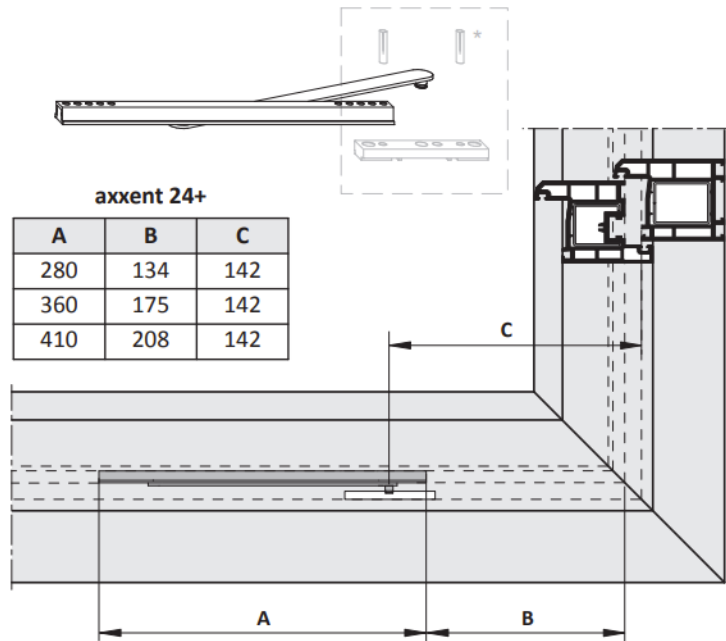


Catalogue not up to date?
Scan the QR or [click here](#)
to view the latest version

[Click to jump back to top](#)

Siegenia Friction Arm Stay

Eurogroove fit friction arms in various sizes.



Product Code	Description	FFB	A	B	C	Screws	Surface Finish	Packaging Unit
704110	Friction Arm SZ 190/126	429-800	190	29	45	4	Titan Silver	25
700693	Friction Arm SZ 280/126	615-1200	280	125	117	4	Titan Silver	25
704127	Friction Arm SZ 280/236.5	615-1200	280	125	117	4	Titan Silver	25
704134	Friction Arm SZ 360/270	695-1460	360	125	160	4	Titan Silver	25



Catalogue not up to date?
Scan the QR or [click here](#)
to view the latest version

[Click to jump back to top](#)

Siegenia Friction Stay Accessory

Connects brake stays and friction arms to the window frame.



Product Code	Description	System	Profile	Surface Finish	Packaging Unit
704370	Frame part friction stay A1900	uPVC	Rehau	Titan Silver	25
704417	Frame part friction stay A0608	uPVC	Kommerling c70	Titan Silver	25
704431	Frame part friction stay A2040	uPVC	Aluplast Ideal 2000 & Veka 70	Titan Silver	25
704387	Frame part friction stay A1940	uPVC	Deceuninck Zendow	Titan Silver	25
ZMBR0020-100010	Frame part friction stay A0600/3	uPVC	Aluplast Ideal 4000	Titan Silver	25
700051	Frame part friction stay A0420 TS	timber	4mm airgap	-	25
700075	Frame part friction stay A1360 TS B	timber	12mm airgap	-	50

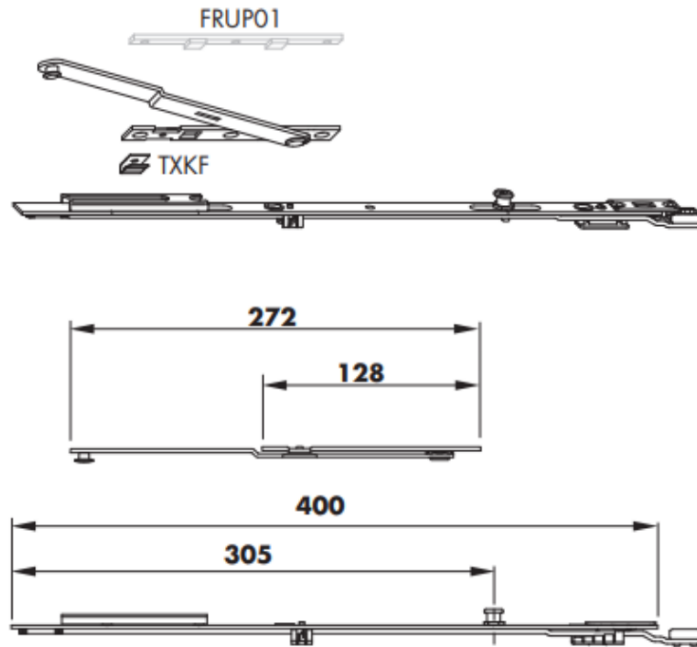


Catalogue not up to date?
Scan the QR or [click here](#)
to view the latest version

[Click to jump back to top](#)

Siegenia TITAN AF Additional Stay

Additional stay to assist the tilt function for heavy sashes up to 150kg



Product Code	Description	Size	Groove axis	Screws	Surface Finish	Packaging Unit
TSZS0010-100010	Additional stay	18/9	9	3	Titan Silver	50
TSZS0020-100010	Additional stay	26/13	9	3	Titan Silver	50
TSZS0030-100010	Additional stay	20/9	13	6	Titan Silver	50
TZOK1010-100010	Tilt and Turn Linkage for Additional Stay	N/A	N/A	3	Titan Silver	25
TZOT1010-100010	Tilt Before Turn Linkage for Additional Stay	N/A	N/A	3	Titan Silver	25

*Dimensions (mm)

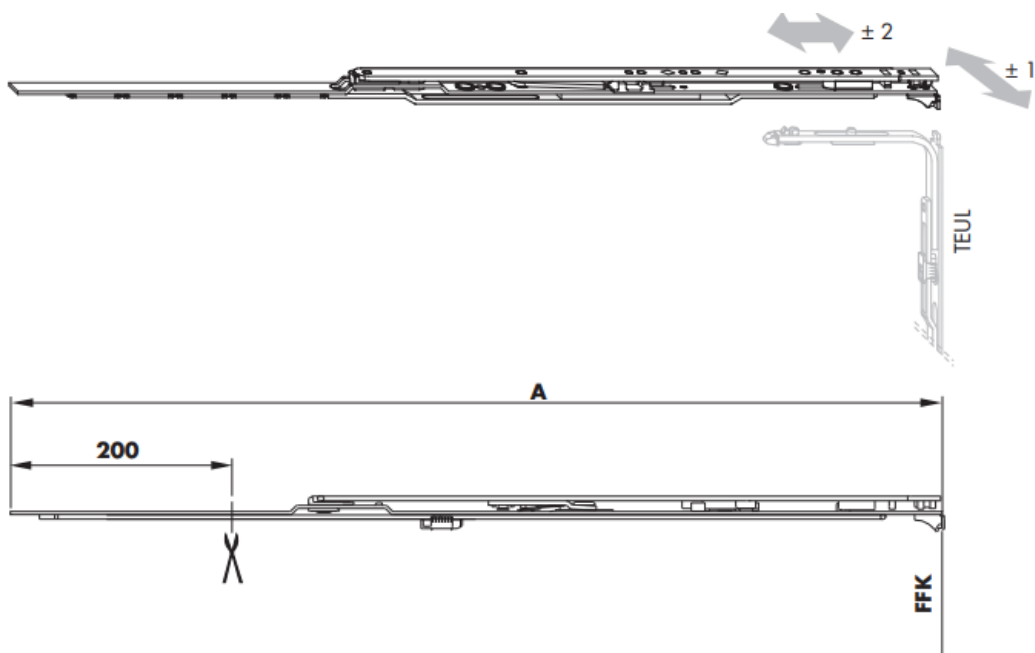


Catalogue not up to date?
Scan the QR or [click here](#)
to view the latest version

[Click to jump back to top](#)

Siegenia TITAN AF iP/Z Stay

Allows the tilt function to be operated by the handle.



Product Code	Description	Handing	FFB	A (mm)	Screws	Sash Weight (kg)	Surface Finish	Packaging Unit
TSZK0011-100010	Stay iP/Z RH	right	470-1360	654	3	80	Titan Silver	10
TSZK0012-100010	Stay iP/Z LH	left	470-1360	654	3	80	Titan Silver	10

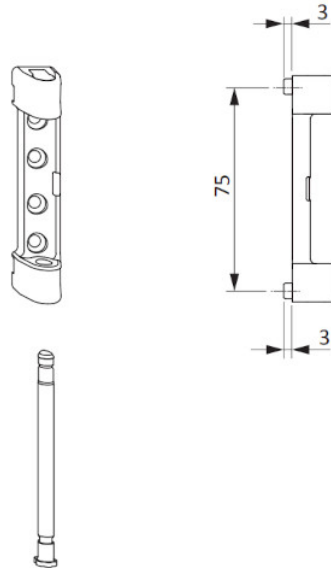


Catalogue not up to date?
Scan the QR or [click here](#)
to view the latest version

[Click to jump back to top](#)

Siegenia TITAN AF Top Hinge

Top frame hinge for windows and doors.



Product Code	Description	Handing	System	Overlap	Surface Coating	Packaging Unit
TBSL8100-100010	Top hinge H	variable	timber	18	TITAN Silver Coating	100
TBSL8110-100010	Top hinge H	variable	timber	20	TITAN Silver Coating	100
TBSB6020-100012	Top hinge pin poly	variable	-	-	TITAN Silver Coating	100
TBSL8100-200010	Top hinge H	variable	timber	18	E-LOOK Coastal Coating	100
TBSB6020-200012	Top hinge pin poly	variable	-	-	E-LOOK Coastal Coating	100

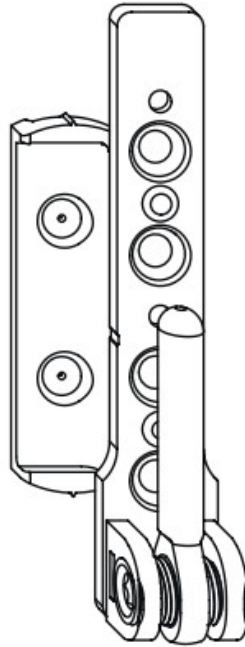


Catalogue not up to date?
Scan the QR or [click here](#)
to view the latest version

[Click to jump back to top](#)

Siegenia TITAN AF Bottom Hinge

Bottom frame hinge for windows and doors.



Product Code	Description	Handing	System	Overlap	Surface Coating	Packaging Unit
TBEL8101-100010	Bottom hinge H	right	timber	18	TITAN Silver Coating	100
TBEL8102-100010	Bottom hinge H	left	timber	18	TITAN Silver Coating	100
TBEL8111-100010	Bottom hinge H	right	timber	20	TITAN Silver Coating	100
TBEL8112-100010	Bottom hinge H	left	timber	20	TITAN Silver Coating	100
TBEL8101-200010	Bottom hinge H	right	timber	18	E-LOOK Coastal Coating	100

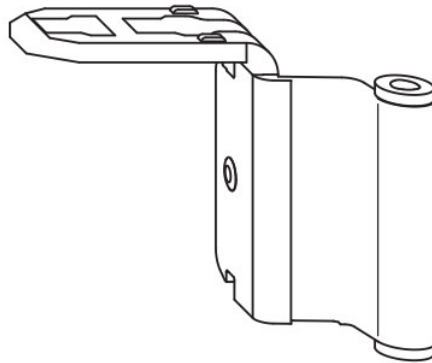


Catalogue not up to date?
Scan the QR or [click here](#)
to view the latest version

[Click to jump back to top](#)

Siegenia TITAN AF Stay Hinge

Top stay hinge with interchangeable handing for windows and doors.



Product Code	Description	Handing	System	Profile	Surface Coating	Packaging Unit
TBWB8100-100011	Stay hinge H	variable	timber	18-9	TITAN Silver Coating	50
TBWB8110-100011	Stay hinge H	variable	timber	18-13	TITAN Silver Coating	50
TBWB8130-100011	Stay hinge H	variable	timber	20-13	TITAN Silver Coating	50
TBWB8110-200011	Stay hinge H	variable	timber	18-13	E-LOOK Coastal Coating	50

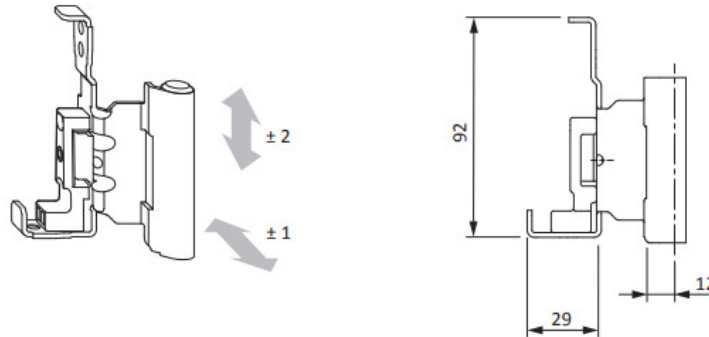


Catalogue not up to date?
Scan the QR or [click here](#)
to view the latest version

[Click to jump back to top](#)

Siegenia TITAN AF Rebate Corner Hinge

Bottom rebate corner hinges for window and door sashes.



Product Code	Description	Handing	System	Profile	Surface Coating	Packaging Unit
TBFE8401-100010	Rebate corner hinge H	right	timber	18-9	TITAN Silver Coating	50
TBFE8402-100010	Rebate corner hinge H	left	timber	18-9	TITAN Silver Coating	50
TBFE8411-100010	Rebate corner hinge H	right	timber	18-13	TITAN Silver Coating	50
TBFE8412-100010	Rebate corner hinge H	left	timber	18-13	TITAN Silver Coating	50
TBFE8431-100010	Rebate corner hinge H	right	timber	20-13	TITAN Silver Coating	50
TBFE8432-100010	Rebate corner hinge H	left	timber	20-13	TITAN Silver Coating	50
TBFE8411-200010	Rebate corner hinge H	right	timber	18-13	E-LOOK Coastal Coating	50
TBFE8412-200010	Rebate corner hinge H	left	timber	18-13	E-LOOK Coastal Coating	50

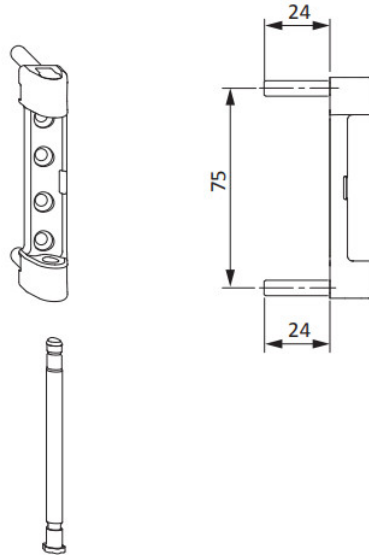


Catalogue not up to date?
Scan the QR or [click here](#)
to view the latest version

[Click to jump back to top](#)

Siegenia TITAN AF Top Hinge

Top frame hinge for windows and doors.



Product Code	Description	Handing	System	Overlap	Surface Coating	Packaging Unit
TBSL6140-100010	Top hinge DH PVC D6x24	variable	uPVC	20	Titan Silver	100
TBSB6020-100012	Top hinge pin poly	variable	-	-	Titan Silver	100
TBSL6140-200010	Top hinge DH PVC D6x8	variable	uPVC	20	Elook Coastal	100
TBSB6020-200012	Top hinge pin poly	variable	-	-	Elook Coastal	100

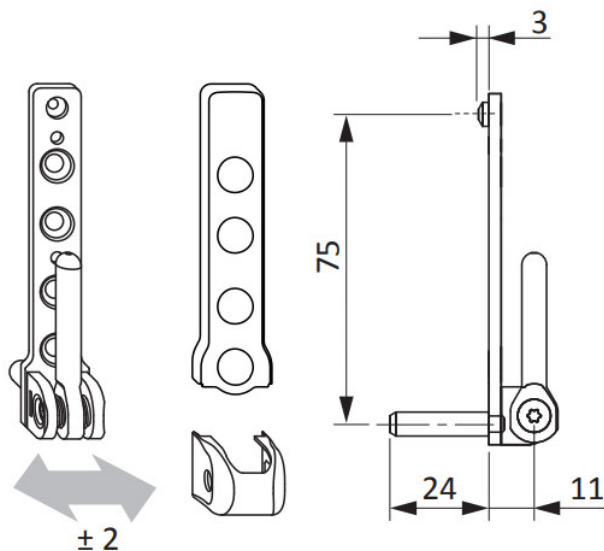


Catalogue not up to date?
Scan the QR or [click here](#)
to view the latest version

[Click to jump back to top](#)

Siegenia TITAN AF Bottom Hinge - Surface Mounted

Bottom frame hinge for windows and doors



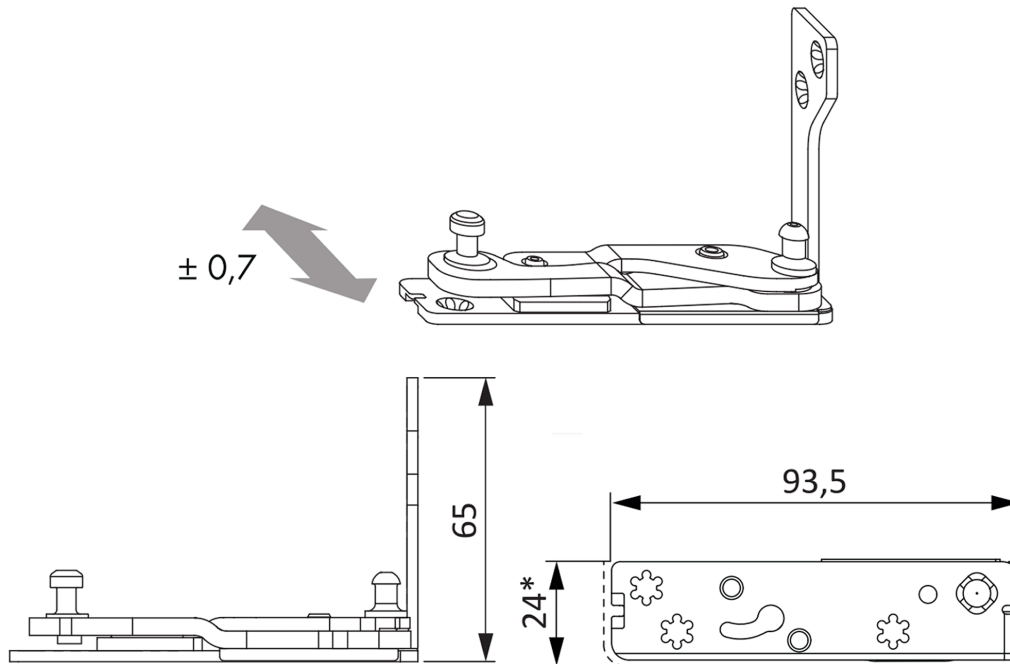
Product Code	Description	Handing	System	Overlap	Surface Coating	Packaging Unit
TBEL6120-100011	Bottom hinge D6x3/24	variable	uPVC	20	Titan Silver	250
TBEL6120-200011	Bottom hinge D6x3/24	variable	uPVC	20	Elook Coastal	250



Catalogue not up to date?
Scan the QR or [click here](#)
to view the latest version

[Click to jump back to top](#)

Siegenia TITAN AF Bottom Hinge - Concealed



Product Code	Base Plate	Air Gap	Groove Axis	Handing	System	Weight Rating	Surface Coating	Packaging Unit
TBEV4001-100010	24	12	13	RH	uPVC/Timber	100kg	Titan AF	25
TBEV4002-100010	24	12	13	LH	uPVC/Timber	100kg	Titan AF	25
TBEV4021-100010	30	12	13	RH	uPVC/Timber	100kg	Titan AF	25
TBEV4022-100010	30	12	13	LH	uPVC/Timber	100kg	Titan AF	25
TBEV4051-100010	24	12	13	RH	Timber	150kg	Titan AF	25
TBEV4052-100010	24	12	13	LH	Timber	150kg	Titan AF	25

*Lengths are in mm

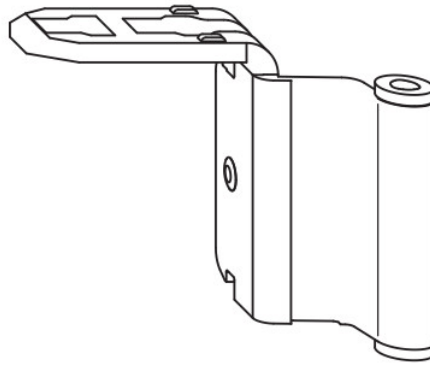


Catalogue not up to date?
Scan the QR or [click here](#)
to view the latest version

[Click to jump back to top](#)

Siegenia TITAN AF Stay Hinge

Top stay hinge with interchangeable handing for windows and doors.



Product Code	Description	Handing	System	Profile	Surface Coating	Packaging Unit
TBWB6020-100011	Stay hinge	variable	uPVC	20-9	Titan Silver	100
TBWB6050-100011	Stay hinge	variable	uPVC	20-13	Titan Silver	100
TBWB6070-100011	Stay hinge	variable	uPVC	21-13	Titan Silver	100
TBWB6020-200011	Stay hinge	variable	uPVC	20-9	Elook Coastal	100
TBWB6050-200011	Stay hinge	variable	uPVC	20-13	Elook Coastal	100

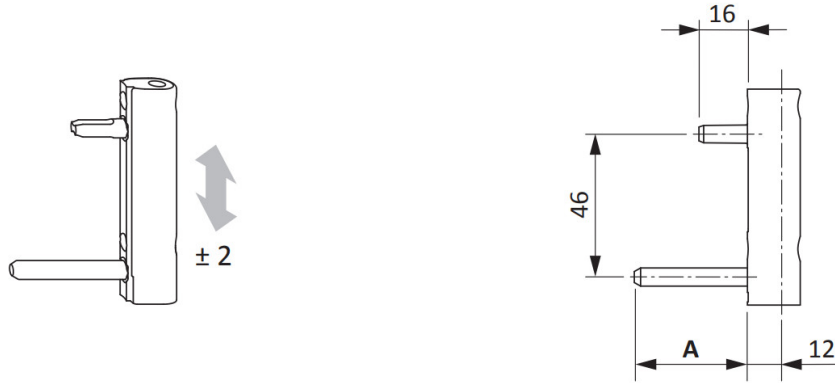


Catalogue not up to date?
Scan the QR or [click here](#)
to view the latest version

[Click to jump back to top](#)

Siegenia TITAN AF Corner Hinge - Surface Mounted

Variable bottom corner hinge for uPVC windows and doors.



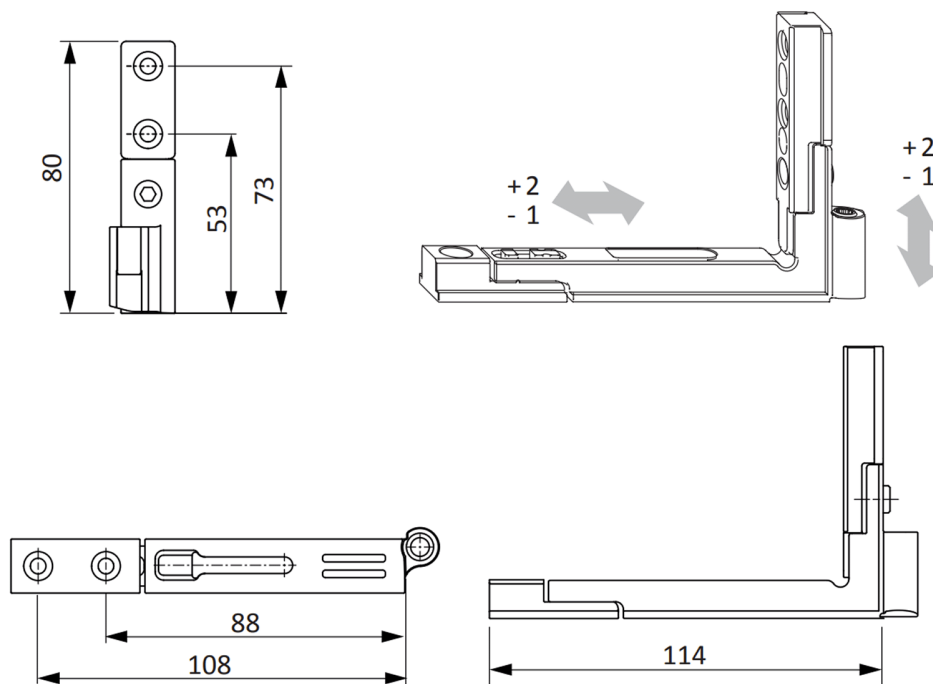
Product Code	Description	Handing	System	Profile	Surface Coating	Packaging Unit
TBEB6120-100013	Corner hinge KF	variable	uPVC	D6x16/36	Titan Silver	100
TBEB6140-100010	Corner hinge KF w/adj seal pressure	variable	uPVC	D6x16/36	Titan Silver	100
TBEB6140-200013	Corner hinge KF w/adj seal pressure	variable	uPVC	D6x16/36	Elook Coastal	100



Catalogue not up to date?
Scan the QR or [click here](#)
to view the latest version

[Click to jump back to top](#)

Siegenia TITAN AF Corner Hinge - Concealed



Product Code	Description	Groove Axis (mm)	Weight Rating	Handing	Surface Coating	Packaging Unit
TBEB4001-100010	Corner Hinge - Concealed	13	150kg	RH	Titan Silver	50
TBEB4002-100010	Corner Hinge - Concealed	13	150kg	LH	Titan Silver	50

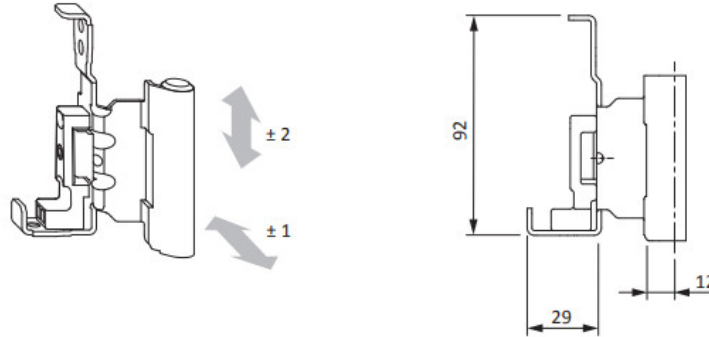


Catalogue not up to date?
Scan the QR or [click here](#)
to view the latest version

[Click to jump back to top](#)

Siegenia TITAN AF Rebate Corner Hinge

Bottom rebate corner hinges for window and door sashes.



Product Code	Description	Handing	System	Profile	Surface Coating	Packaging Unit
TBFE1011-100013	Rebate corner hinge KF	right	uPVC	20-9	Titan Silver	50
TBFE1012-100013	Rebate corner hinge KF	left	uPVC	20-9	Titan Silver	50
TBFE1021-100013	Rebate corner hinge KF	right	uPVC	20-13	Titan Silver	50
TBFE1022-100013	Rebate corner hinge KF	left	uPVC	20-13	Titan Silver	50
TBFE1101-100011	Rebate corner hinge KF	right	uPVC	21-13	Titan Silver	50
TBFE1102-100011	Rebate corner hinge KF	left	uPVC	21-13	Titan Silver	50

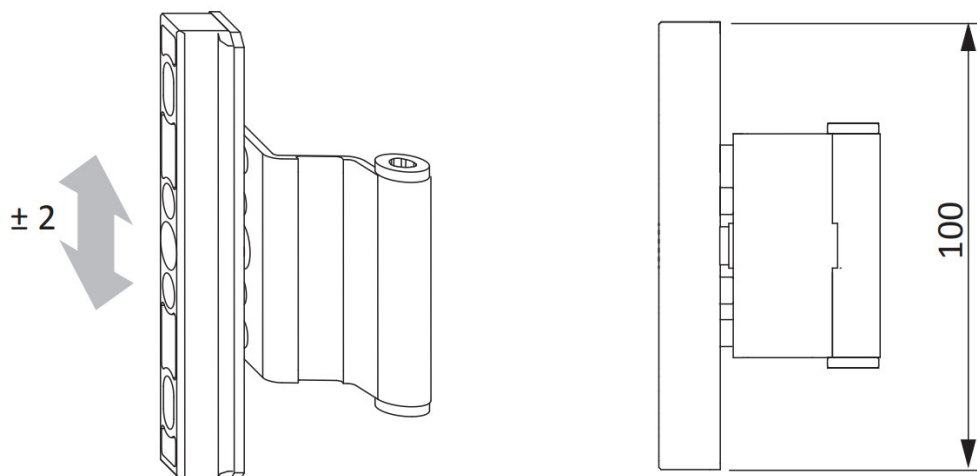


Catalogue not up to date?
Scan the QR or [click here](#)
to view the latest version

[Click to jump back to top](#)

Siegenia TITAN AF Sash Hinge

Sash hinge for extra support on uPVC windows and doors.



Product Code	Description	Handing	System	Profile	Surface Coating	Packaging Unit
TBFB6020-100011	Sash hinge KF	variable	uPVC	12/20-9	Titan Silver	50
TBFB6050-100011	Sash hinge KF	variable	uPVC	12/20-13	Titan Silver	50

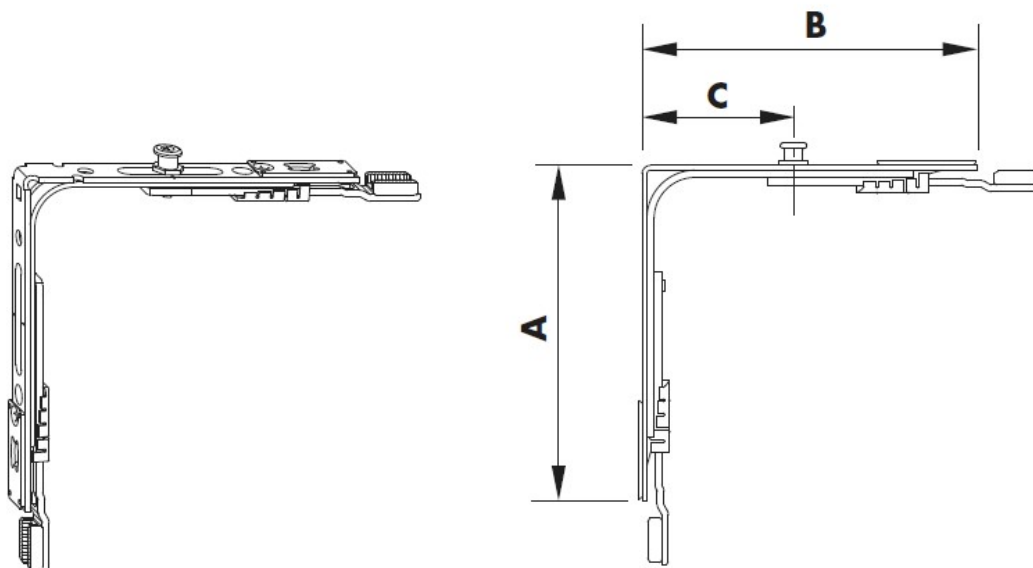


Catalogue not up to date?
Scan the QR or [click here](#)
to view the latest version

[Click to jump back to top](#)

Siegenia TITAN AF Corner Drive VSO

Top corner drive



Product Code	Description	A	B	C	Cams	Screws	Surface Finish	Packaging Unit
TEUL4010-100010	Corner Drive AF VSO	140	140	63	1	4	Titan Silver	50
TEUL4010-200010	Corner Drive AF VSO	140	140	63	1	4	Elook Coastal	50

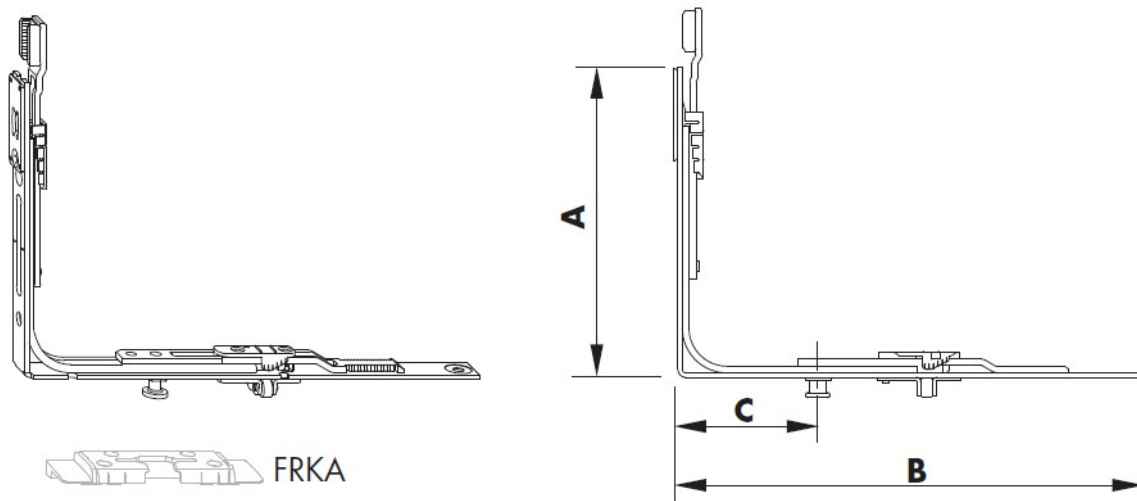


Catalogue not up to date?
Scan the QR or [click here](#)
to view the latest version

[Click to jump back to top](#)

Siegenia TITAN AF Corner Drive VSU

Bottom corner drive



Product Code	Description	A	B	C	Cams	Screws	Surface Finish	Packaging Unit
TEUL5010-100010	Corner Drive AF VSU	140	210	63	1	5	Titan Silver	50
TEUL5010-200010	Corner Drive AF VSU	140	210	63	1	5	Elook Coastal	50

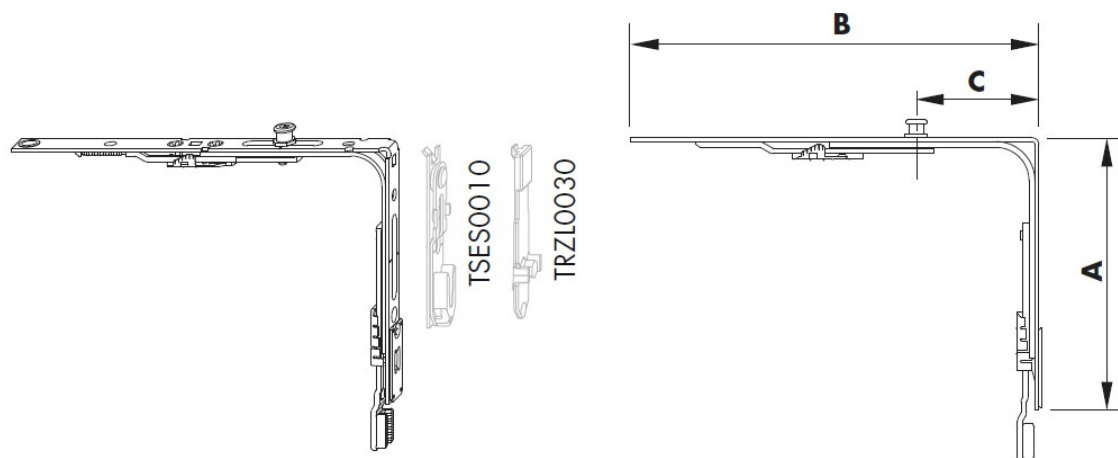


Catalogue not up to date?
Scan the QR or [click here](#)
to view the latest version

[Click to jump back to top](#)

Siegenia TITAN AF Corner Drive VSO/K

Female to male corner drive with SRS cam.



Product Code	Description	A	B	C	Cams	Screws	Surface Finish	P.U.
TEUL4110-100010	Corner Drive AF VSO/K+ DF 1RS	140	210	63	1	5	Titan Silver	50
TEUL4110-200010	Corner Drive AF VSO/K+ DF 1RS	140	210	63	1	5	Elook Coastal	50

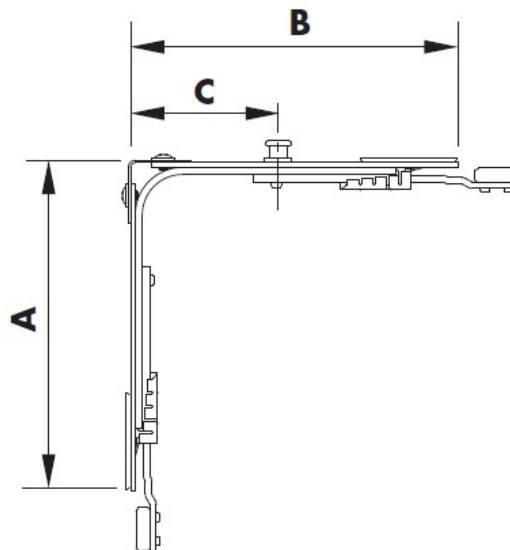
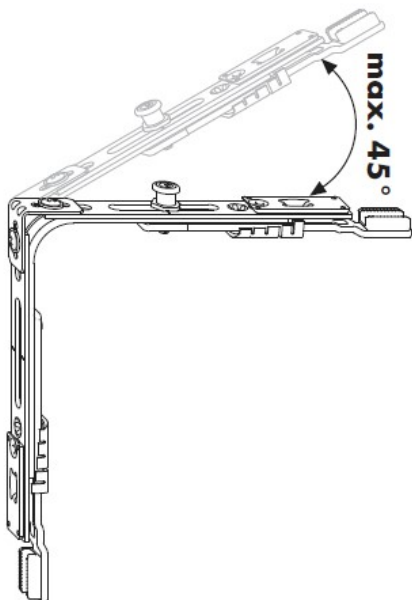


Catalogue not up to date?
Scan the QR or [click here](#)
to view the latest version

[Click to jump back to top](#)

Siegenia TITAN Corner Drive SF

Top corner drive for angled windows



Product Code	Description	A	B	C	Cams	Screws	Packaging Unit
TEUL4030-100010	Corner Drive AF VSO SF	140	140	63	1	4	50

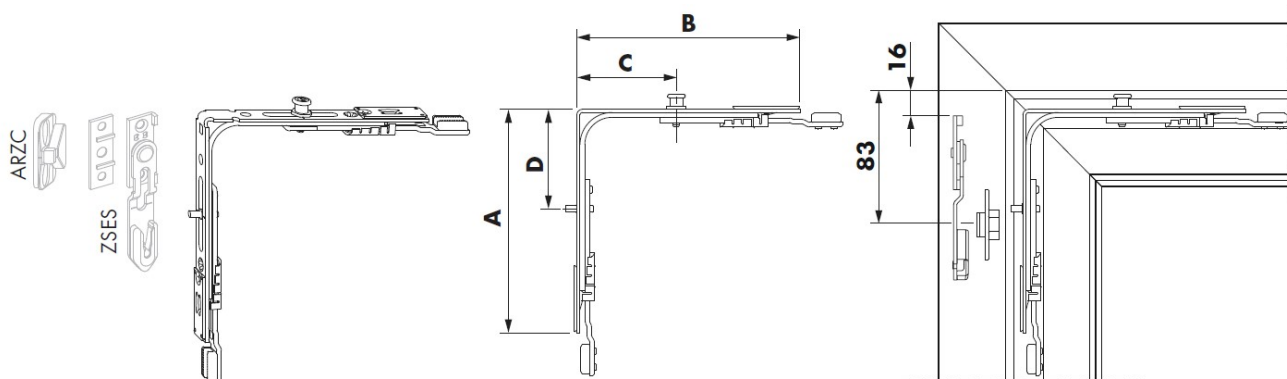


Catalogue not up to date?
Scan the QR or [click here](#)
to view the latest version

[Click to jump back to top](#)

Siegenia TITAN Corner Drive SP

Top corner drive for energy saving stay.



Product Code	Description	A	B	C	D	Cams	Screws	Packaging Unit
TEUL4040-100010	Corner Drive VSO SP 1RS	140	140	63	62	2	4	50

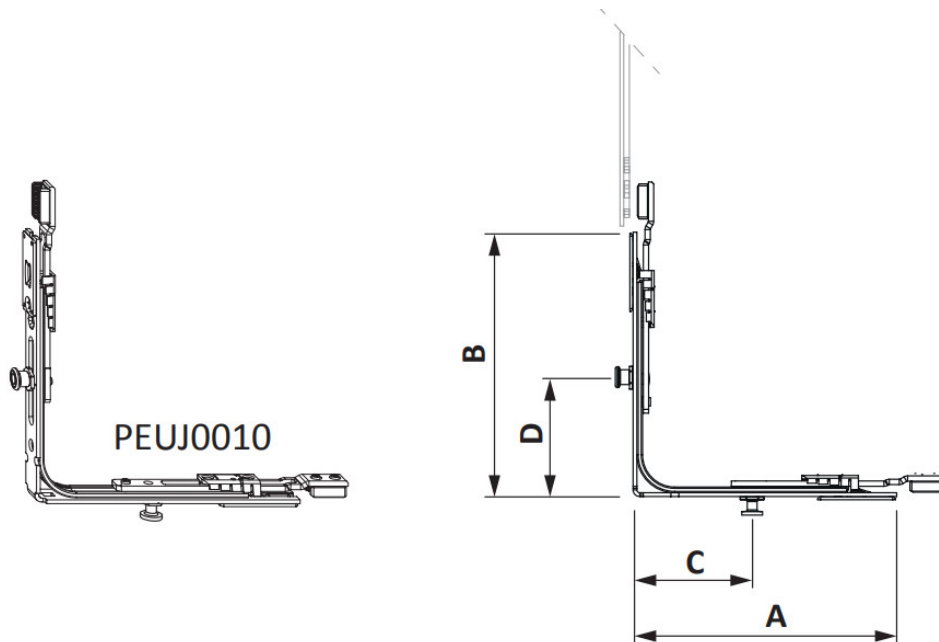


Catalogue not up to date?
Scan the QR or [click here](#)
to view the latest version

[Click to jump back to top](#)

Siegenia TITAN AF Corner Drive PSK

Female to female coupling corner drive with 2 cams, to be used in conjunction with tilt & slide systems or adjustable break stay



Product Code	Description	A	B	C	D	Cams	Screws	Packaging Unit
PEUJ0010-100010	Corner Drive AF PSK 1S 1RS	140	140	63	63	2	4	50
PEUJ0050-100010	Corner Drive AF PSK with sash lift	140	140	63	63	1	4	50



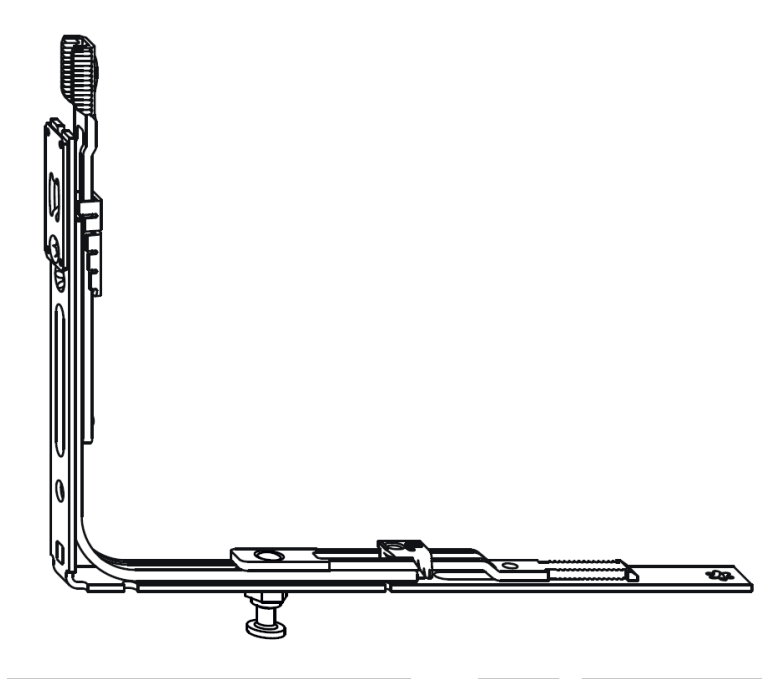
Catalogue not up to date?
Scan the QR or [click here](#)
to view the latest version

[Click to jump back to top](#)

Corner Drive VSU/K+ BSW 1S A0273

Special corner drive for Tilt and Turn door applications with a 10mm airgap. Used where a standard threshold must be used instead of standard uPVC frame profile.

*See profile datasheet component FRKA50 for a suitable profile dependant tilt lock bearing.



Product Code	Cams	Packaging Unit
TEUL5360-100010	1	1

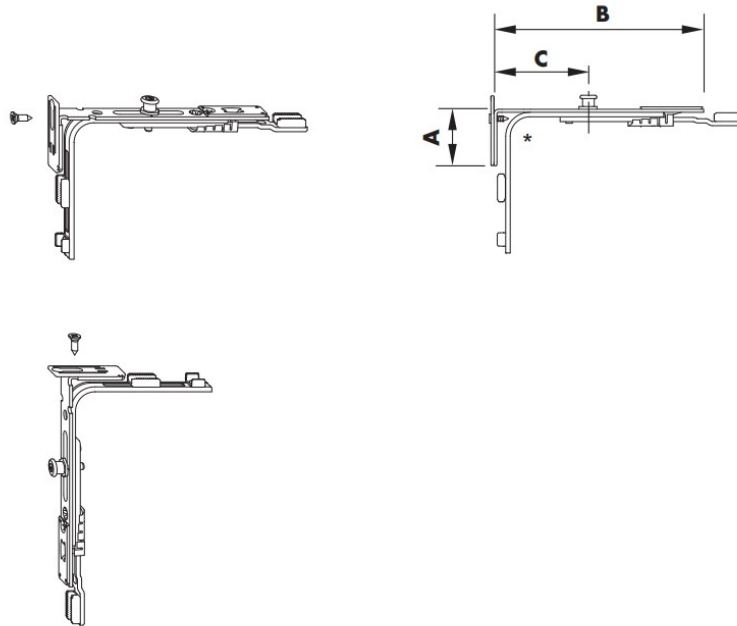


Catalogue not up to date?
Scan the QR or [click here](#)
to view the latest version

[Click to jump back to top](#)

Siegenia TITAN AF Narrow Corner Drive VSO

Top narrow corner drive



Product Code	Description	A	B	C	Cams	Screws	Surface Finish	Packaging Unit
TEUL4020-100010	Narrow corner drive AF VSO	38	140	63	1	3	Titan Silver	50
TEUL4020-200010	Narrow corner drive AF VSO	38	140	63	1	3	Elook Coastal	50

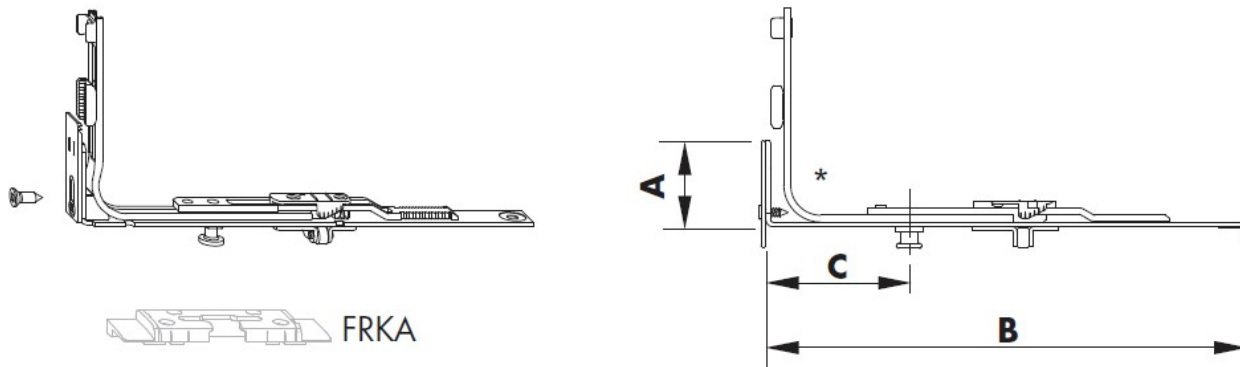


Catalogue not up to date?
Scan the QR or [click here](#)
to view the latest version

[Click to jump back to top](#)

Siegenia TITAN AF Narrow Corner Drive VSU

Bottom narrow corner drive.



Product Code	Description	A	B	C	Cams	Screws	Surface Finish	Packaging Unit
TEUL5090-100010	Bottom corner drive AF VSU	38	210	63	1	4	Titan Silver	50
TEUL5090-200010	Bottom corner drive AF VSU	38	210	63	1	5	Elook Coastal	50

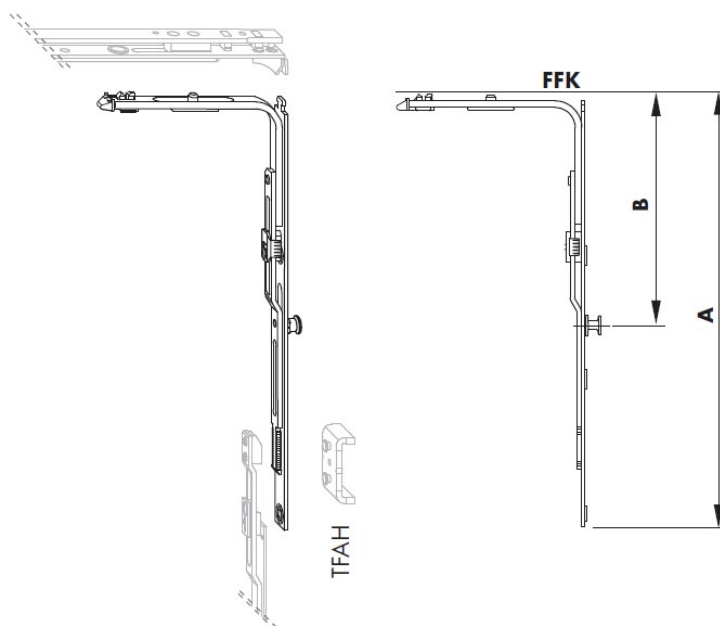


Catalogue not up to date?
Scan the QR or [click here](#)
to view the latest version

[Click to jump back to top](#)

Siegenia TITAN AF BS Corner Drive

Back side corners for tilt & turn windows and doors



Product Code	Description	FFH	A	B	Cams	Screws	Surface Finish	Packaging Unit
TEUL2400-100014	Corner drive BSO/K3+ 1RS	401-800	261	140	1	3	Titan Silver	50
TEUL2380-100040	Corner drive BS SZ 1	801-1200	565	480	2	4	Titan Silver	25
TEUL2390-100040	Corner drive BS SZ 2	1201-3000	765	680	2	4	Titan Silver	25
TEUL2400-200014	Corner drive BSO/K3+ 1RS	401-800	261	140	1	3	Elook Coastal	50
TEUL2410-200014	Corner drive BS SZ 1	801-1200	565	480	1	4	Elook Coastal	25
TEUL2420-200014	Corner drive BS SZ 2	1201-3000	765	680	1	4	Elook Coastal	25

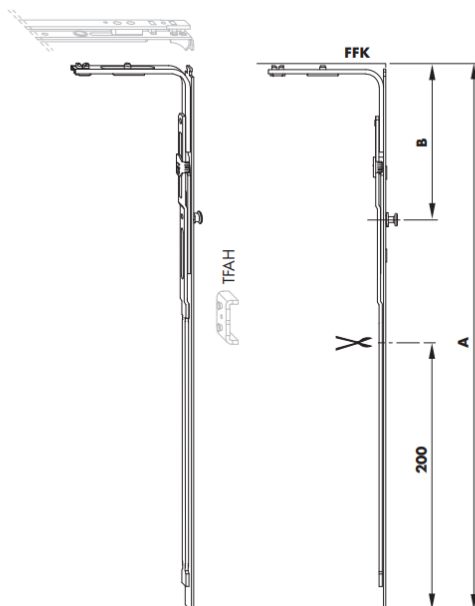


Catalogue not up to date?
Scan the QR or [click here](#)
to view the latest version

[Click to jump back to top](#)

Siegenia TITAN AF BS Croppable Corner Drive

Back side corners for tilt & turn windows and doors. Croppable variant



Product Code	Description	A	B	Cams	Screws	Surface Finish	Packaging Unit
TEUL2300-100010	Corner Drive BSO/A3 1RS	490	140	1	2	Titan Silver	25

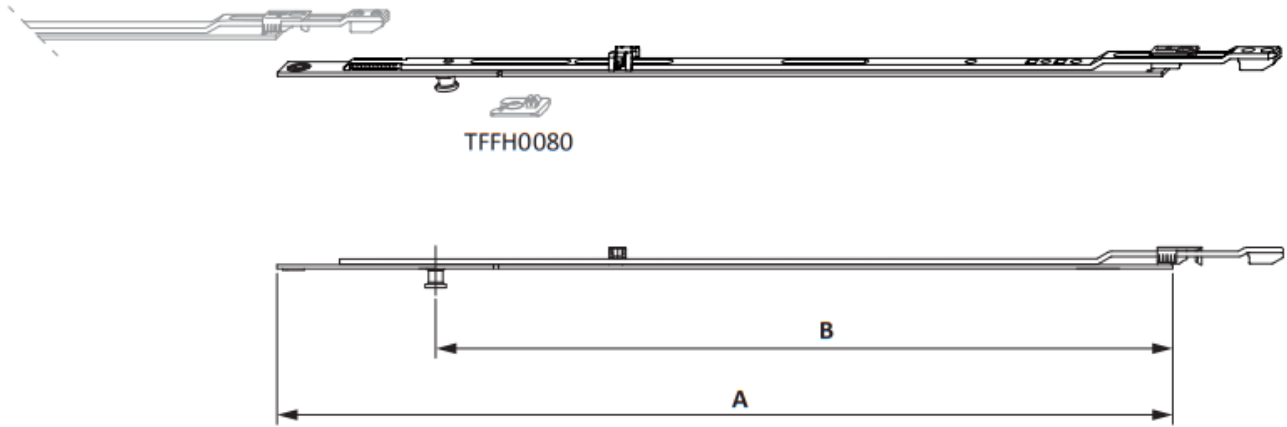


Catalogue not up to date?
Scan the QR or [click here](#)
to view the latest version

[Click to jump back to top](#)

Siegenia TITAN AF Extension

Extensions with female and male coupling ends, used to extend corner drives.



Product Code	Description	A	B	Cams	Screws	Surface Finish	Packaging Unit
TZBS0180-100010	Linkage SZ 1	304	217	1	2	Titan Silver	25
TZBS0190-100010	Linkage SZ 2	504	417	1	3	Titan Silver	25
TZBS0200-100010	Linkage SZ 3	800	713	1	5	Titan Silver	25
TZBS0180-200010	Linkage SZ 1	304	217	1	2	Elook Coastal	25
TZBS0190-200010	Linkage SZ 2	504	417	1	3	Elook Coastal	25

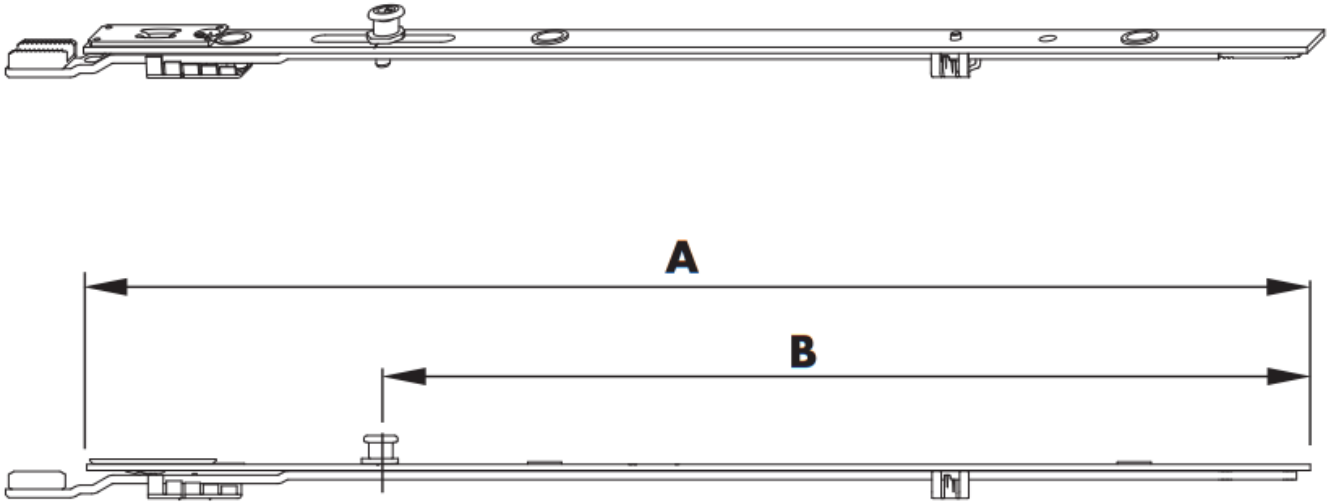


Catalogue not up to date?
Scan the QR or [click here](#)
to view the latest version

[Click to jump back to top](#)

Siegenia TITAN AF Linkage

Extensions with female and male coupling ends.



Product Code	Description	A	B	Cams	Screws	Surface Finish	Packaging Unit
TZKK1010-100010	Linkage KK/AF SZ 1 1RS	200	105	1	3	Titan Silver	25
TZKK1020-100010	Linkage KK/AF SZ 2 1RS	400	305	1	4	Titan Silver	25
TZKK1050-100010	Linkage KK/AF SZ 3 1RS	600	505	1	5	Titan Silver	25
TZKK1010-200010	Linkage KK/AF SZ 1 1RS	200	105	1	3	Elook Coastal	25
TZKK1020-200010	Linkage KK/AF SZ 2 1RS	400	305	1	4	Elook Coastal	25

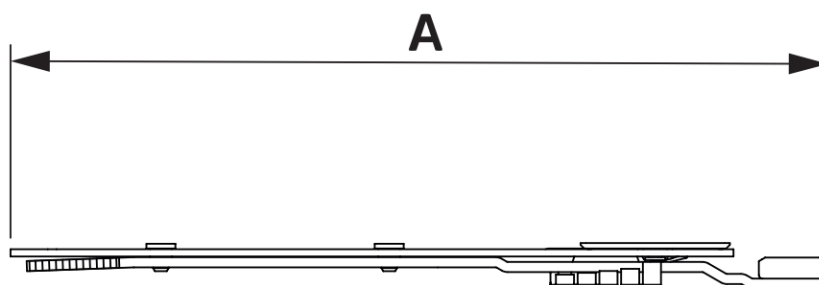
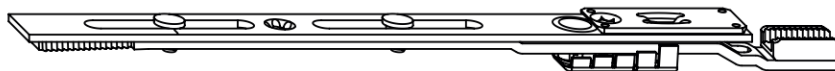


Catalogue not up to date?
Scan the QR or [click here](#)
to view the latest version

[Click to jump back to top](#)

Siegenia TITAN AF Linkage

Linkages with female and male coupling ends, no locking points.



Product Code	Description	A	Cams	Screws	Surface Finish	Packaging Unit
TZZS0150-100010	Linkage AF SZ 1	200	0	3	Titan Silver	25
TZZS0150-200010	Linkage AF SZ 1	200	0	3	Elook Coastal	25

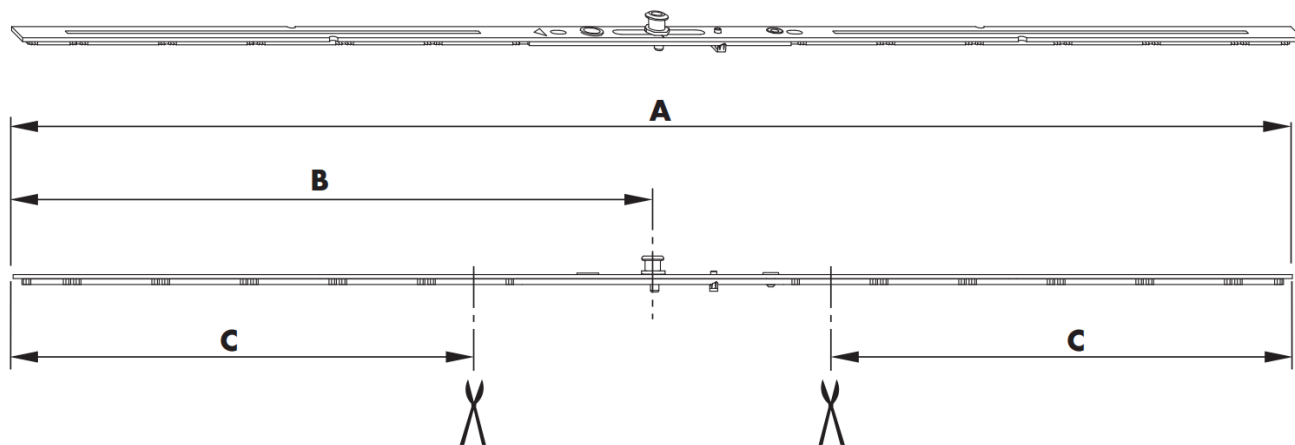


Catalogue not up to date?
Scan the QR or [click here](#)
to view the latest version

[Click to jump back to top](#)

Siegenia TITAN AF Linkage - SRS Cam

Linkages with two male coupling ends, SRS cam for standard operation.



Product Code	Description	A	B	C	Cams	Screws	Surface Finish	Packaging Unit
TZZZ0010-100010	Linkage AF ZZ	650	325	200	1	1	Titan Silver	25

*Dimensions (mm)

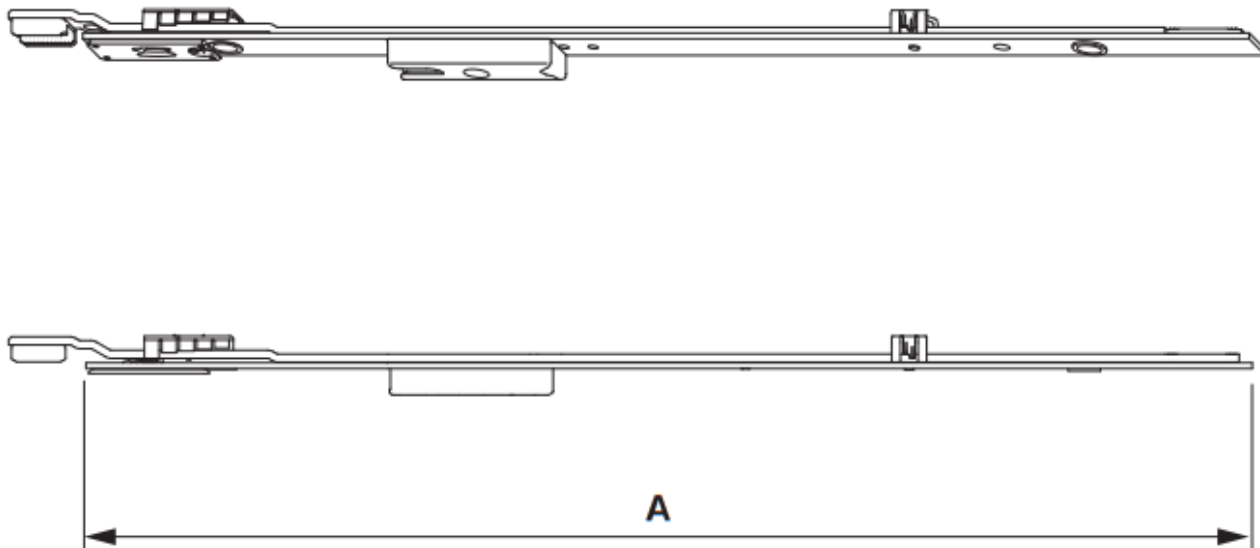


Catalogue not up to date?
Scan the QR or [click here](#)
to view the latest version

[Click to jump back to top](#)

Siegenia TITAN AF Slave Linkage

Slave side extension with striker, to be used with opposing extension TZKK1020.



Product Code	Description	A	Strikers	Screws	Surface Finish	Packaging Unit
TZKS1030-100010	Linkage AF SZ 2 1SB-RS	400	1	4	Titan Silver	25
TZKS1030-200010	Linkage AF SZ 2 1SB-RS	400	1	4	Elook Coastal	25

*Dimensions (mm)

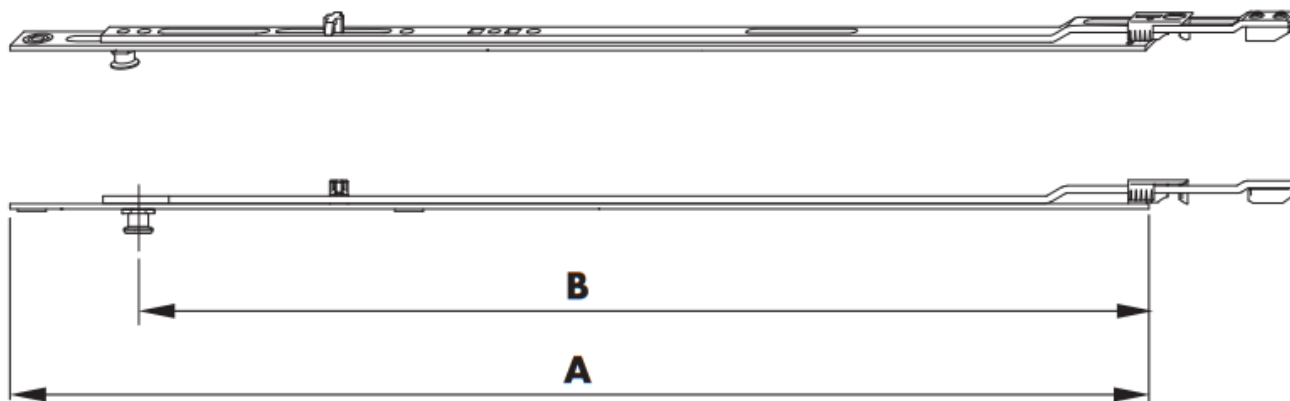


Catalogue not up to date?
Scan the QR or [click here](#)
to view the latest version

[Click to jump back to top](#)

Siegenia TITAN AF Extension

Extensions with female coupling end, used for additional locking points on corner drives.



Product Code	Description	A	B	Cams	Screws	Packaging Unit
TVSL0350-100010	Linkage SZ 5+ 1RS	443	398	1	3	50

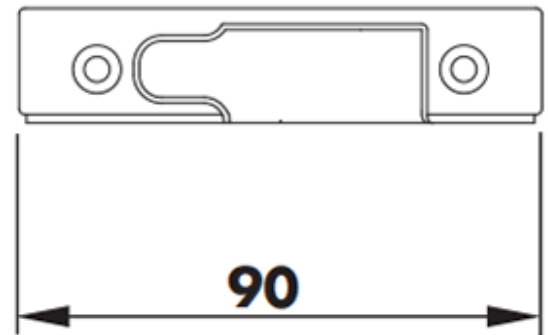
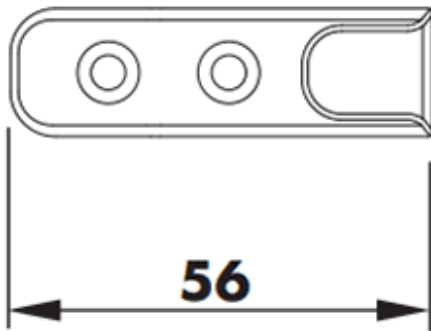
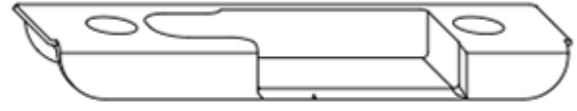
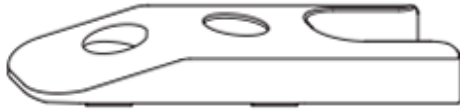
*Dimensions (mm)



Catalogue not up to date?
Scan the QR or [click here](#)
to view the latest version

[Click to jump back to top](#)

Siegenia Striker Plate 56



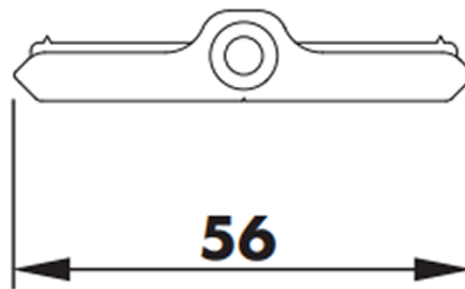
Product Code	Description	System	Profile	Colour	Packaging Unit
707227	Strike 56 A1361	timber	18/8-12/18-9	titan silver	500
707241	Strike 56 A1362	timber	20/8-12/18-9	titan silver	500
708767	Strike 56 A1361	timber	18/8-12/18-9	titan silver	500
708880	Strike 56 A0434 RH	timber	4/18-9	titan silver	250
708897	Strike 56 A0434 LH	timber	4/18-9	titan silver	250
TRSL0130-100010	Striker H A3600	timber	30/20-12/18-13	titan silver	500



Catalogue not up to date?
Scan the QR or [click here](#)
to view the latest version

[Click to jump back to top](#)

Siegenia Striker Plate 56



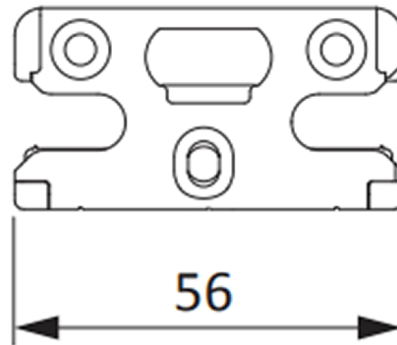
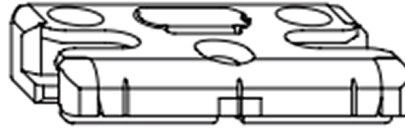
Product Code	Description	System	Profile	Surface Finish	Packaging Unit
711873	Striker AS2000	uPVC	Eurogroove	Titan Silver	
712306	Striker 56 A1660 V58	uPVC	Veka 56	Titan Silver	500
TRSM0030-100010	Striker 56 A2665	uPVC	Veka softline 70	Titan Silver	500
TRSM0060-100080	Striker S 56 A1900	uPVC	Aluplast Ideal 2000 & 4000	Titan Silver	500
TRSM0070-100010	Striker 56 A4460	uPVC	Kommerling c70	Titan Silver	500
TRSM0320-100010	Striker S 56 A4580	uPVC	Deceuninck Zendow / Legend Art	Titan Silver	500
TRSM0060-200010	Striker S 56 A1900	uPVC	Aluplast Ideal 2000 & 4000	Elook Coastal	500
TRSM0070-200010	Striker 56 A4460	uPVC	Kommerling c70	Elook Coastal	500
TRSM0320-200010	Striker S 56 A4580	uPVC	Deceuninck Zendow / Legend Art	Elook Coastal	500



Catalogue not up to date?
Scan the QR or [click here](#)
to view the latest version

[Click to jump back to top](#)

Siegenia Security Striker Plate



Product Code	Description	Profile	Coating	Packaging Unit
TRSK0270-100010	Striker Plate	Aluplast Ideal 2000	Titan Silver	250
TRSK0520-100010	Striker Plate	Aluplast Ideal 4000	Titan Silver	250
TRSK2340-100010	Striker Plate	Veka Softline	Titan Silver	250
TRSK2620-100010	Striker Plate	Deceuninck Zendow / Legend Art	Titan Silver	250
TRSK0600-100010	Striker Plate	Kommerling c70	Titan Silver	250
TRSK0900-100010	Striker Plate	Rehau	Titan Silver	250
TRSK0270-200010	Striker Plate	Aluplast Ideal 2000	E-LOOK Coastal	250
TRSK0520-200010	Striker Plate	Aluplast Ideal 4000	E-LOOK Coastal	250
TRSK2620-200010	Striker Plate	Deceuninck Zendow / Legend Art	E-LOOK Coastal	250
TRSK0600-200010	Striker Plate	Kommerling c70	E-LOOK Coastal	250
TRSK0900-200010	Striker Plate	Rehau	E-LOOK Coastal	250

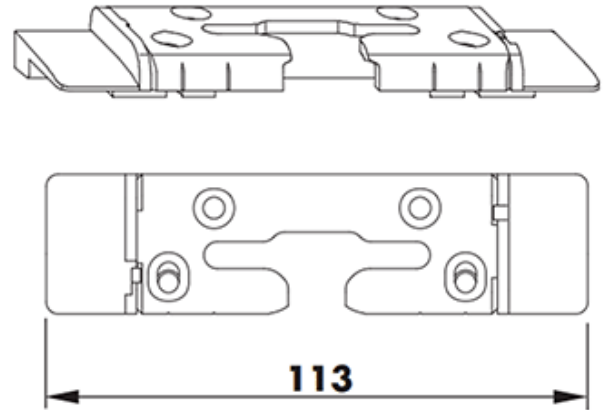
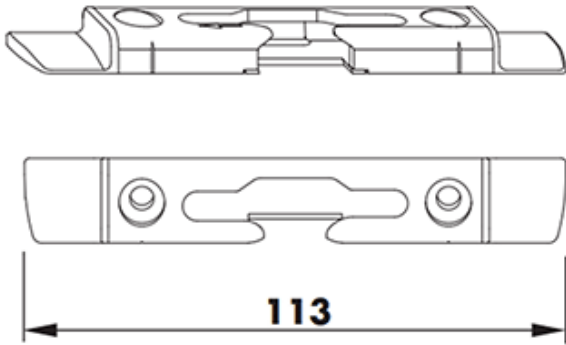


Catalogue not up to date?
Scan the QR or [click here](#)
to view the latest version

[Click to jump back to top](#)

Siegenia SES uPVC Tilt Lock Bearing

Tilt lock bearing for tilt & turn windows and doors.
For uPVC systems.



Product Code	Description	Side	System	Profile	Surface Finish	P.U.
705933	TLB SES FH A0608	-	uPVC	Kommerling C70	Titan Silver	100
706404	TLB SES FH A2040	-	uPVC	Aluplast Ideal 2000	Titan Silver	100
706428	TBL SES FH A2400	-	uPVC	Aluplast Ideal 4000	Titan Silver	100
TRKA0220-100010	TBL SES FH A4580	-	uPVC	Deceuninck Legend Art	Titan Silver	100
FRKA0470-100010	TLB SES FH A1660	-	uPVC	Veka 58	Titan Silver	100
FRKA0540-100010	TLB SES FH A2860	-	uPVC	Rehau	Titan Silver	100
FRKA0200-200010	TBL SES FH A1940	-	uPVC	Deceuninck Zendow	Elook Coastal	100
FRKA0540-200010	TLB SES FH A2860	-	uPVC	Rehau	Elook Coastal	100
899847	TLB SES FH A0608	-	uPVC	Kommerling c70	Elook Coastal	100
897249	TLB SES FH A2400	-	uPVC	Aluplast Ideal 4000	Elook Coastal	100
888186	TLB SES FH ALU 2000	-	uPVC	Aluplast Ideal 2000	Elook Coastal	100
706008	TLB BI-FOLD	-	low threshold	13mm	Titan Silver	100
FRKA0500-100010	TLB BI-FOLD	-	low threshold	9mm	Titan Silver	50
FRKU0090-100010	TLB SES FH A3560	-	GT threshold	13mm	Titan Silver	50

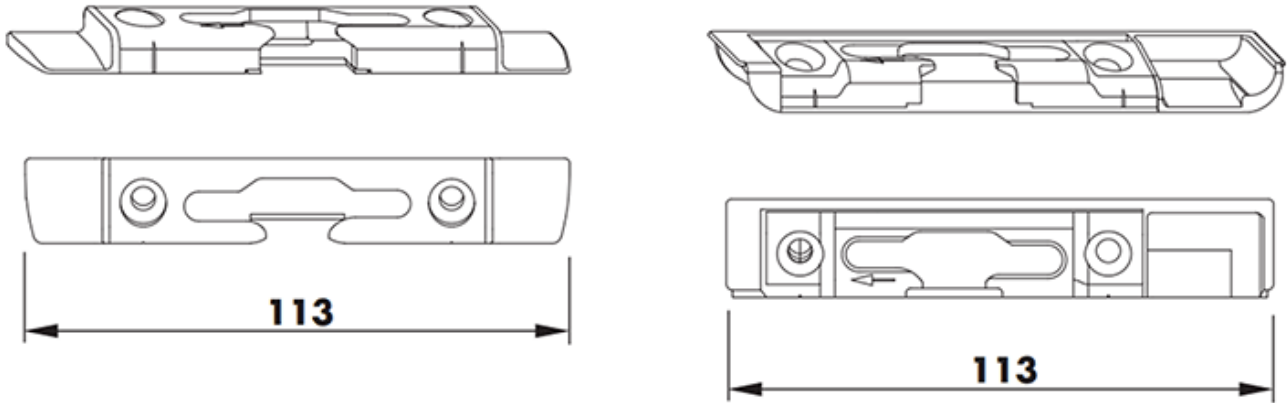


Catalogue not up to date?
Scan the QR or [click here](#)
to view the latest version

[Click to jump back to top](#)

Siegenia SES Timber Tilt Lock Bearing

Tilt lock bearing for tilt & turn windows and doors.
For timber systems.



Product Code	Description	Side	System	Profile	Surface Finish	P.U.
712863	TLB SES FH RH A0434	right	timber	4/15-9 & 4/18-9	Titan Silver	100
712887	TLB SES FH LH A0434	left	timber	4/15-9 & 4/18-9	Titan Silver	100
FRKA0431-100010	TLB SES FH RH A1362	right	timber	20/8-12/18-9	Titan Silver	100
FRKA0432-100010	TLB SES FH LH A1362	left	timber	20/8-12/18-9	Titan Silver	100
FRKA0711-100011	TLB SES FH RH A3600	right	timber	30/20-12/20-13 & 30/20-12/18-13	Titan Silver	100
FRKA0712-100011	TLB SES FH LH A3600	left	timber	30/20-12/20-13 & 30/20-12/18-13	Titan Silver	100
706008	TLB BI-FOLD	-	low threshold	13mm	Titan Silver	100
FRKA0500-100010	TLB BI-FOLD	-	low threshold	9mm	Titan Silver	50
FRKU0090-100010	TLB SES FH A3560	-	GT threshold	13mm	Titan Silver	50

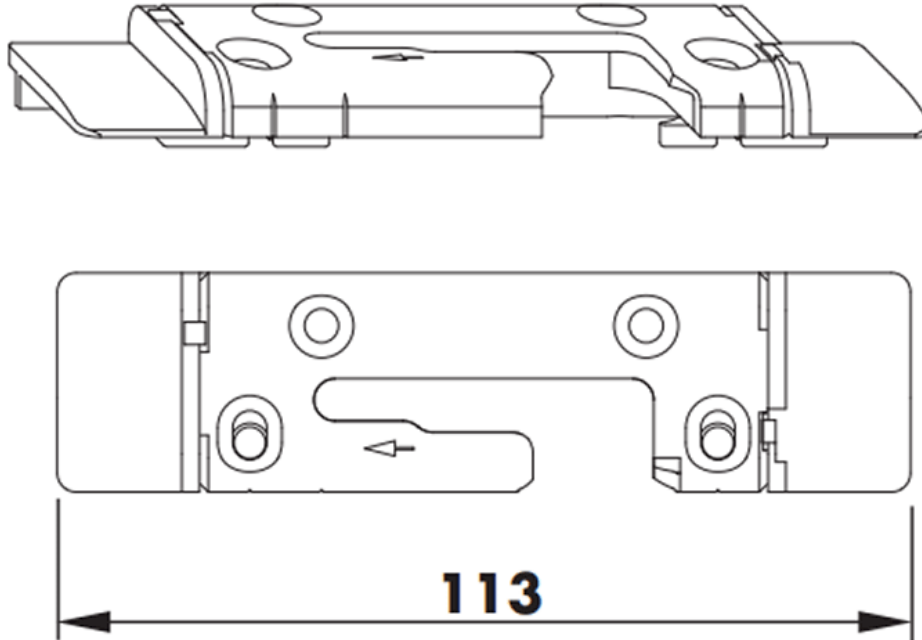


Catalogue not up to date?
Scan the QR or [click here](#)
to view the latest version

[Click to jump back to top](#)

Siegenia SES TBT Tilt Lock Bearing

Tilt lock bearing for tilt before turn windows and doors.



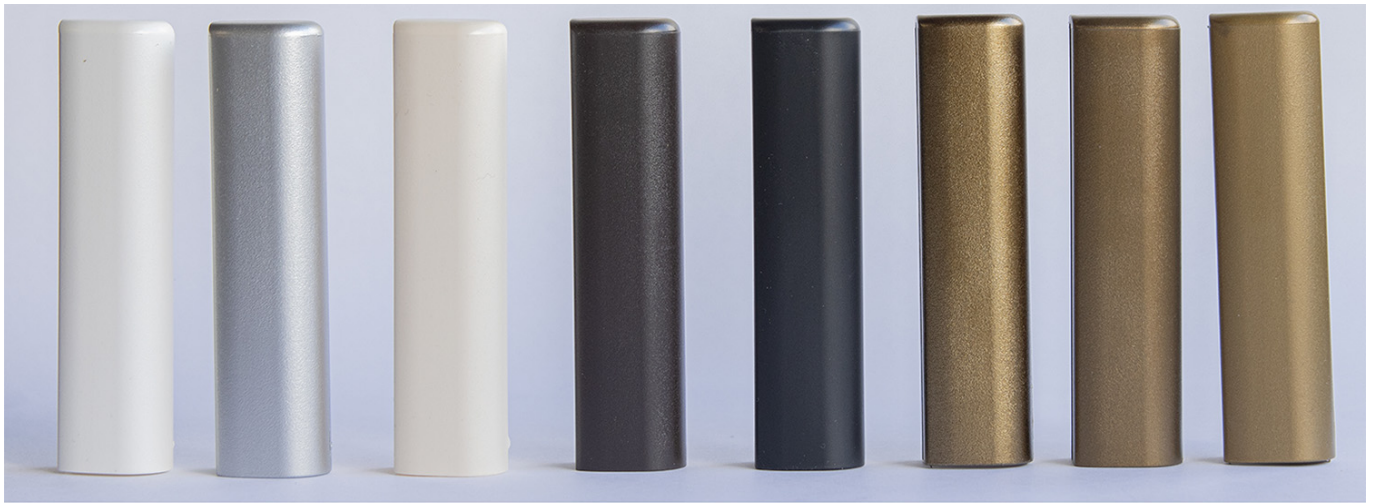
Product Code	Description	Side	Profile	Surface Finish	P.U.
720622	TBL SES FH TBT RH A2860	Right	Rehau	Titan Silver	100
720639	TLB SES FH TBT LH A2860	Left	Rehau	Titan Silver	100
TRKB0301-100010	TLB SES FH TBT RH A1940	Right	Dec.Zendow & Komm.C70	Titan Silver	100
TRKB0302-100010	TLB SES FH TBT LH A1940	Left	Dec.Zendow & Komm.C70	Titan Silver	100
TRKB0051-100010	TLB SES TBT RH A2040	Right	Aluplast Ideal 2000	Titan Silver	100
TRKB0052-100010	TLB SES TBT LH A2040	Left	Aluplast Ideal 2000	Titan Silver	100
TRKB0021-100010	TLB SFS TBT RH A2400	Right	Aluplast Ideal 4000	Titan Silver	100
TRKB0022-100010	TLB SFS TBT LH A2400	Left	Aluplast Ideal 4000	Titan Silver	100
TRKB0301-200010	TLB SES FH TBT RH A1940	Right	Dec.Zendow & Komm.C70	Elook Coastal	100
TRKB0302-200010	TLB SES FH TBT LH A1940	Left	Dec.Zendow & Komm.C70	Elook Coastal	100
TRKB0051-200010	TLB SES TBT RH A2040	Right	Aluplast Ideal 2000	Elook Coastal	100
TRKB0052-200010	TLB SES TBT LH A2040	Left	Aluplast Ideal 2000	Elook Coastal	100



Catalogue not up to date?
Scan the QR or [click here](#)
to view the latest version

[Click to jump back to top](#)

Siegenia TITAN EB Cover Cap



White - SI Silver - Cream -Black/Brwn - Black - F4Brnz-MedBrnz -Gold

Product Code	Description	Handing	Colour
TKEB0020-004011	Cover EB	variable	White RAL9016
TKEB0020-L25010	Cover EB	variable	SI Silver
TKEB0020-001010	Cover EB	variable	Cream RAL9001
TKEB0020-012010	Cover EB	variable	Black/Brown RAL8022
TKEB0020-023010	Cover EB	variable	Black RAL9005
TKEB0020-LK6010	Cover EB	variable	F4 BRONZE
TKEB0020-031011	Cover EB	variable	Medium Bronze
TKEB0020-0H0010	Cover EB	variable	Gold



Catalogue not up to date?
Scan the QR or [click here](#)
to view the latest version

[Click to jump back to top](#)

Siegenia TITAN FEB Cover Cap



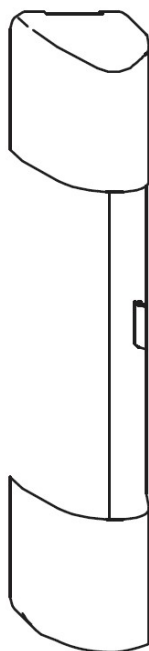
Product Code	Description	Handing	Colour
FKFE0011-004010	Cover FEB	right	White RAL9016
FKFE0012-004010	Cover FEB	left	White RAL9016
FKFE0011-L25010	Cover FEB	right	SI Silver
FKFE0012-L25010	Cover FEB	left	SI Silver
FKFE0011-001010	Cover FEB	right	Cream RAL9001
FKFE0012-001010	Cover FEB	left	Cream RAL9001
FKFE0011-012010	Cover FEB	right	Black/Brown RAL8022
FKFE0012-012010	Cover FEB	left	Black/Brown RAL8022
FKFE0011-023010	Cover FEB	right	Black RAL9005
FKFE0012-023010	Cover FEB	left	Black RAL9005
FKFE0011-LK6010	Cover FEB	right	F4 BRONZE
FKFE0012-LK6010	Cover FEB	left	F4 BRONZE
FKFE0011-031010	Cover FEB	right	Medium Bronze
FKFE0012-031010	Cover FEB	left	Medium Bronze
FKFE0011-0H0010	Cover FEB	right	Gold
FKFE0012-0H0010	Cover FEB	left	Gold
FKFE0011-011011	Cover FEB	right	Brown
FKFE0012-011011	Cover FEB	left	Brown
FKFE0012-025010	Cover FEB	left	Silver



Catalogue not up to date?
Scan the QR or [click here](#)
to view the latest version

[Click to jump back to top](#)

Siegenia TITAN S Cover Cap



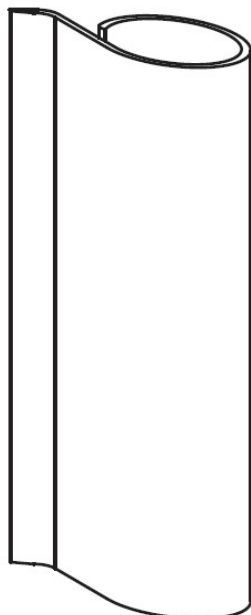
Product Code	Description	Handing	Colour
TKSL0020-004010	Cover S	variable	White RAL9016
TKSL0020-L25010	Cover S	variable	SI Silver
TKSL0020-001010	Cover S	variable	Cream RAL9001
TKSL0020-012010	Cover S	variable	Black/Brown RAL8022
TKSL0020-023010	Cover S	variable	Black RAL9005
TKSL0020-LK6010	Cover S	variable	F4 BRONZE
TKSL0020-031012	Cover S	variable	Medium Bronze
TKSL0020-0H0010	Cover S	variable	Gold



Catalogue not up to date?
Scan the QR or [click here](#)
to view the latest version

[Click to jump back to top](#)

Siegenia TITAN WKF Cover Cap



Product Code	Description	Handing	Colour
TKWB0010-004010	Cover WKF	variable	White RAL9016
TKWB0010-L25010	Cover WKF	variable	SI Silver
TKWB0010-001010	Cover WKF	variable	Cream RAL9001
TKWB0010-012010	Cover WKF	variable	Black/Brown RAL8022
TKWB0010-023010	Cover WKF	variable	Black RAL9005
TKWB0010-LK6010	Cover WKF	variable	F4 BRONZE
TKWB0010-031012	Cover WKF	variable	Medium Bronze
TKWB0010-0H0010	Cover WKF	variable	Gold



Catalogue not up to date?
Scan the QR or [click here](#)
to view the latest version

[Click to jump back to top](#)

Siegenia TITAN ELO & ELU Cover Cap



ELO



ELU

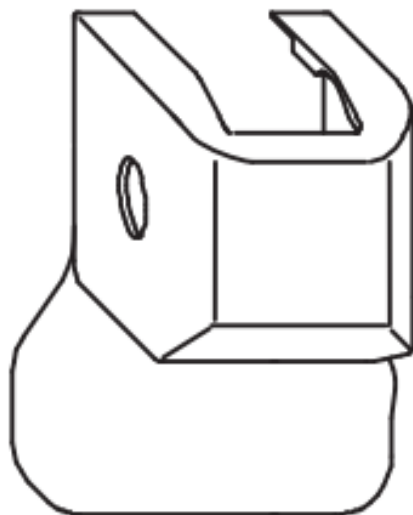
Product Code	Description	Handing	Colour
TKEO0010-004010	Cover ELO	variable	White RAL9016
TKEO0010-L25010	Cover ELO	variable	SI Silver
TKEO0010-001010	Cover ELO	variable	Cream RAL9001
TKEO0010-012010	Cover ELO	variable	Black/Brown RAL8022
TKEO0010-031011	Cover ELO	variable	Medium Bronze
TKEO0010-023012	Cover ELO	variable	Jet Black
TKEO0010-LK6010	Cover ELO	variable	F4 Bronze
TKEO0010-0H0010	Cover ELO	variable	Gold
TKEU0010-004010	Cover ELU	variable	White RAL9016
TKEU0010-L25010	Cover ELU	variable	SI Silver
TKEU0010-001010	Cover ELU	variable	Cream RAL9001
TKEU0010-012010	Cover ELU	variable	Black/Brown
TKEU0010-023010	Cover ELU	variable	Black RAL9005
TKEU0010-LK6010	Cover ELU	variable	F4 BRONZE
TKEU0010-031012	Cover ELU	variable	Medium Bronze
TKEU0010-0H0010	Cover ELU	variable	Gold



Catalogue not up to date?
Scan the QR or [click here](#)
to view the latest version

[Click to jump back to top](#)

Siegenia EL-SU Cover Cap



Product Code	Description	Colour	Packaging Unit
FKEL0010-012011	Cover EL-SU	RAL 8022	100
FKEL0010-L25010	Cover EL-SU	Silver	100



Catalogue not up to date?
Scan the QR or [click here](#)
to view the latest version

[Click to jump back to top](#)

Siegenia FEB Cover Cap



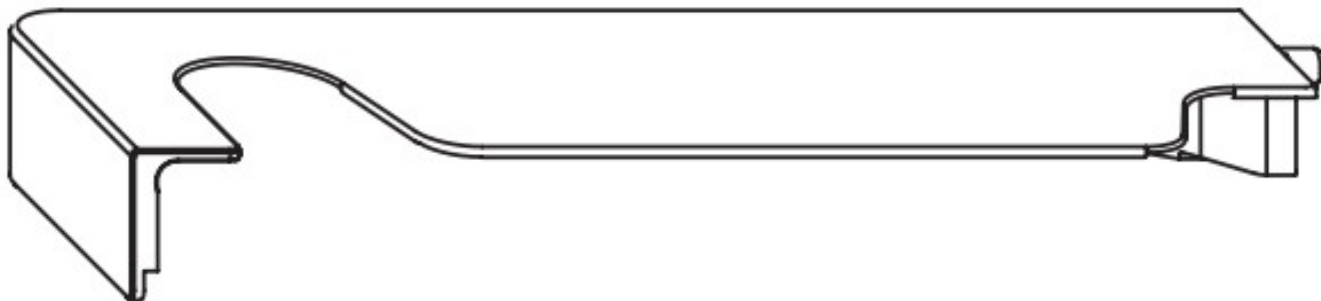
Product Code	Description	Handing	Colour
TKFE7011-004011	Cover FEB	right	White RAL9016
TKFE7011-012011	Cover FEB	right	Black/Brown
TKFE7011-023011	Cover FEB	right	Black RAL9005
TKFE7011-031011	Cover FEB	right	Medium Bronze
TKFE7011-0H0010	Cover FEB	right	Gold
TKFE7011-L25011	Cover FEB	right	SI Silver
TKFE7012-001010	Cover FEB	left	Cream RAL9001
TKFE7012-004011	Cover FEB	left	White RAL9016
TKFE7012-012011	Cover FEB	left	Black/Brown
TKFE7012-023011	Cover FEB	left	Black RAL9005
TKFE7012-031011	Cover FEB	left	Medium Bronze
TKFE7012-0H0010	Cover FEB	left	Gold
TKFE7012-L25011	Cover FEB	left	SI Silver



Catalogue not up to date?
Scan the QR or [click here](#)
to view the latest version

[Click to jump back to top](#)

Siegenia TITAN AF AX 24 EL Cover Cap



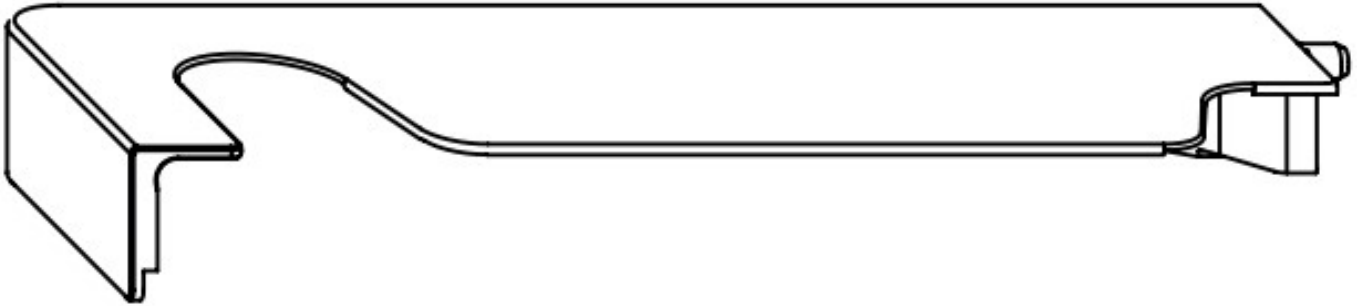
Product Code	Description	Handing	Colour
TKEL4021-0E4010	Cover EL	right	RAL7037
TKEL4022-0E4010	Cover EL	left	RAL7037



Catalogue not up to date?
Scan the QR or [click here](#)
to view the latest version

[Click to jump back to top](#)

Siegenia TITAN AF AX 30 EL Cover Cap



Product Code	Description	Handing	Colour
TKEL4031-OE4010	Cover EL	right	RAL7037
TKEL4032-OE4010	Cover EL	left	RAL7037

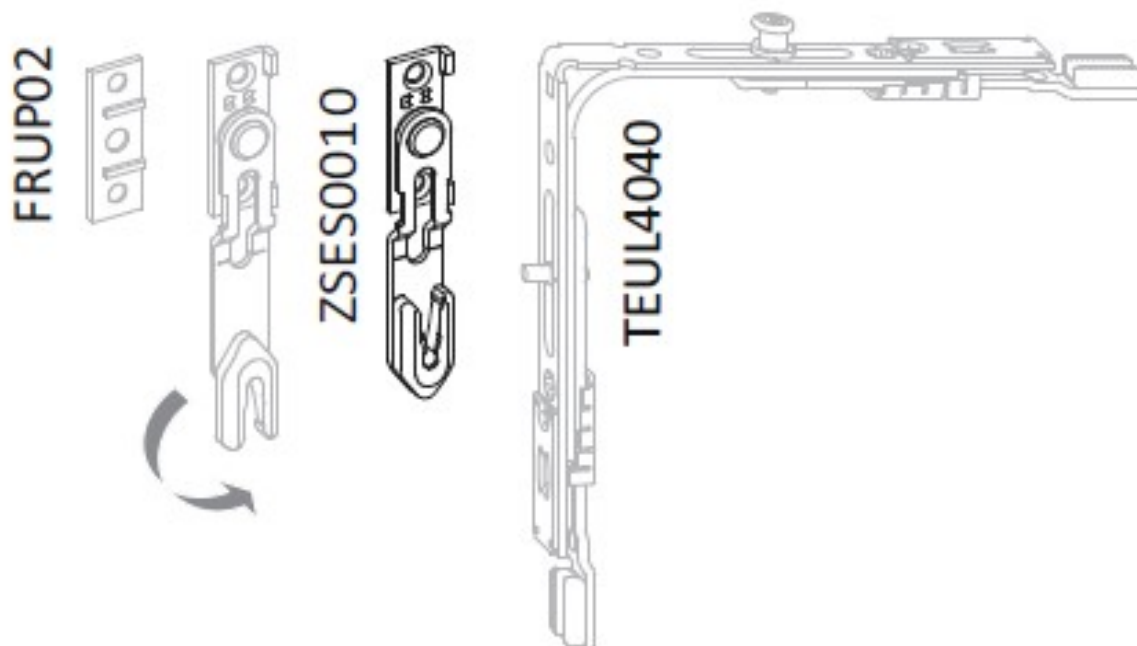


Catalogue not up to date?
Scan the QR or [click here](#)
to view the latest version

[Click to jump back to top](#)

Siegenia Energy Saving Stay

Enables sash to be used in night vent position, to be used with energy saving top corner.



Product Code	Description	Surface Finish	Packaging Unit
ZSES0010-100012	Energy saving stay	Titan Silver	50

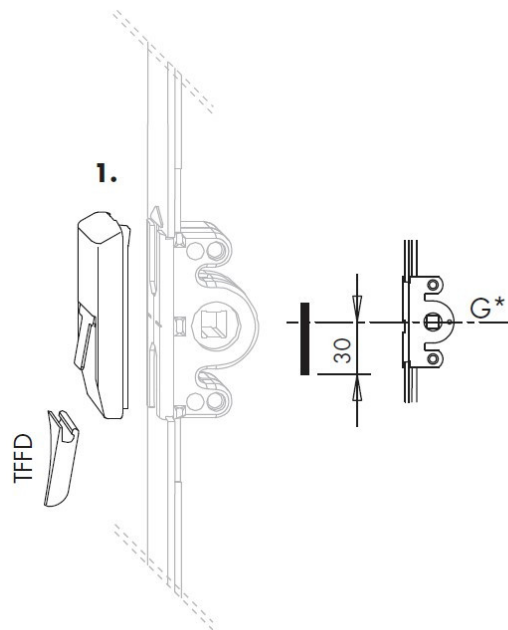


Catalogue not up to date?
Scan the QR or [click here](#)
to view the latest version

[Click to jump back to top](#)

Siegenia TITAN AF Mishandling Device & Pressure Piece

Restricts the handle from entering the tilt position when open in turn.



Product Code	Description	Side	Groove axis	Colour	Packaging Unit
TFBS0010-040012	Mishandling device	-	-	Grey	250
TFFD0011-023010	Pressure piece	Right	9	Black	250
TFFD0012-023010	Pressure piece	Left	9	Black	250
TFFD0021-023010	Pressure piece	Right	13	Black	250
TFFD0022-023010	Pressure piece	Left	13	Black	250

*Dimensions (mm)



Catalogue not up to date?
Scan the QR or [click here](#)
to view the latest version

[Click to jump back to top](#)

Siegenia Snapper

Frame mount snapper used for clipping doors and windows closed.



708644

Product Code	Description	System	Profile	Surface Finish	Packaging Unit
708088	Snapper French Door - 12mm	uPVC & timber	Eurogroove	Titan Silver	100
718292	Snapper A4100	uPVC	Aluplast Ideal 4000	Titan Silver	100
FRZB0170-100011	Snapper A1663	uPVC	Veka	Titan Silver	100
FRZB0180-100011	Snapper A0608	uPVC	Koemerling C70	Titan Silver	100
FRZB0220-100011	Snapper A2860	uPVC	Rehau & Dec.Zendow	Titan Silver	100
FRZB0380-100010	Snapper A2041	uPVC	Aluplast Ideal 2000	Titan Silver	100
708644	Snapper Sleeve - 7mm	Sash	-	Titan Silver	500
FRZB0230-100010	Snapper A0434	timber	4/9	-	100



Catalogue not up to date?
Scan the QR or [click here](#)
to view the latest version

[Click to jump back to top](#)

Siegenia Frame Part MV

Frame part for hinge side compression - used with 700655 or 700662.



Product Code	Description	System	Profile	Surface Finish	P.U.
873328	Frame part MV A1660	uPVC	Veka	Titan Silver	100
873342	Frame part MV A0608	uPVC	Koemerling C70	Titan Silver	100
873403	Frame part MV A1900	uPVC	Rehau	Titan Silver	100
873427	Frame part MV A1940	uPVC	Dec.Zendow & Alu.Ideal 4000	Titan Silver	100
873465	Frame part MV A2660	uPVC	Aluplast 2000	Titan Silver	100
700679	Frame part MV A0429	timber	4/9	titan silver	100
FRZM0150-040060	Frame part MV A4500	timber	12/13	titan silver	100

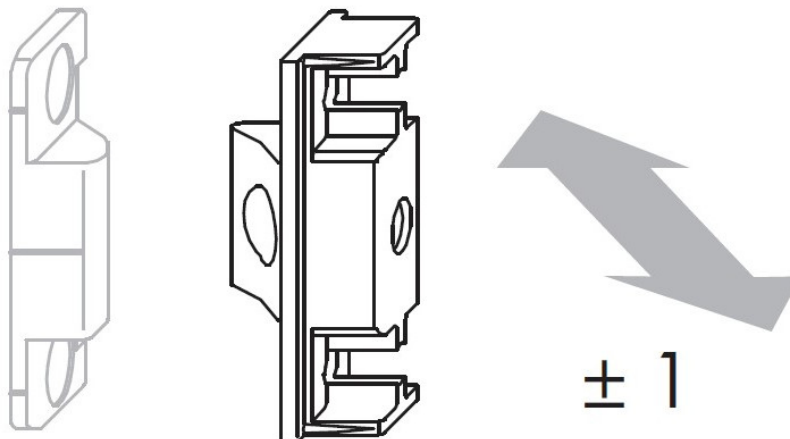


Catalogue not up to date?
Scan the QR or [click here](#)
to view the latest version

[Click to jump back to top](#)

Siegenia Eurogroove Sash Part

Adjustable sash part for hinge side compression - Eurogroove mount.



Product Code	Description	Surface Finish	Packaging Unit
TFMV0020-100010	Sash part MV CONC	Titan Silver	100
TFMV0020-200010	Sash part MV CONC	Elook Coastal	100

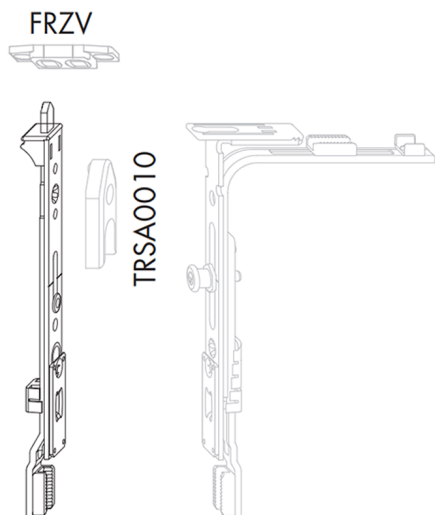


Catalogue not up to date?
Scan the QR or [click here](#)
to view the latest version

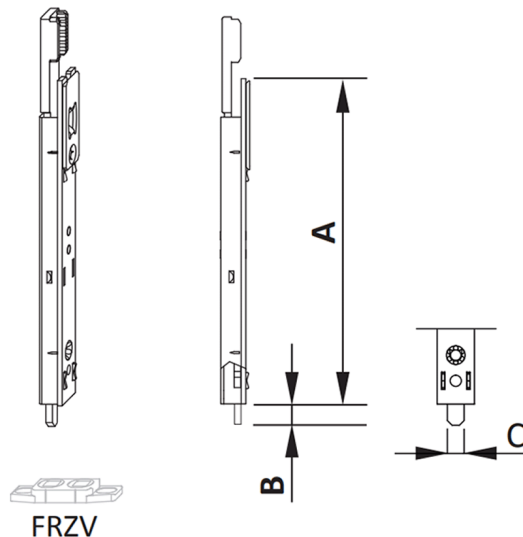
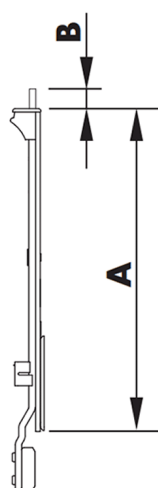
[Click to jump back to top](#)

Siegenia TITAN AF Shoot Bolt

Gear operated shoot bolts.
Inline & reverse



TESC2040



TESC3080

Product Code	Description	Type	A	B	C	Cams	Screws	Surface Finish	P.U.
TESC2040-100010	Locking bolt AF VSO RSA11	In-Line	140	14	-	1	3	Titan Silver	25
TESC3080-100010	Locking bolt AF VSU/G RSA14	Reverse	140	14	6,80	1	2	Titan Silver	25
TESC3080-200010	Locking bolt AF VSU/G RSA14	Reverse	140	14	6,80	1	2	Elook Coastal	25

*Dimensions (mm)

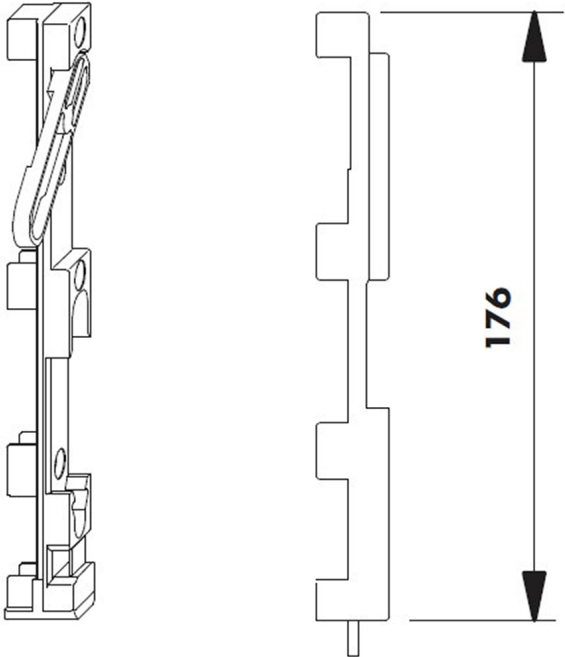


Catalogue not up to date?
Scan the QR or [click here](#)
to view the latest version

[Click to jump back to top](#)

Siegenia Bottom Shoot Bolt VSU

Fits in slave sash Eurogroove.



Product Code	Description	Size (mm)	Colour	Packaging Unit
701126	Shoot bolt VSU A2000	176	Titan Silver	25

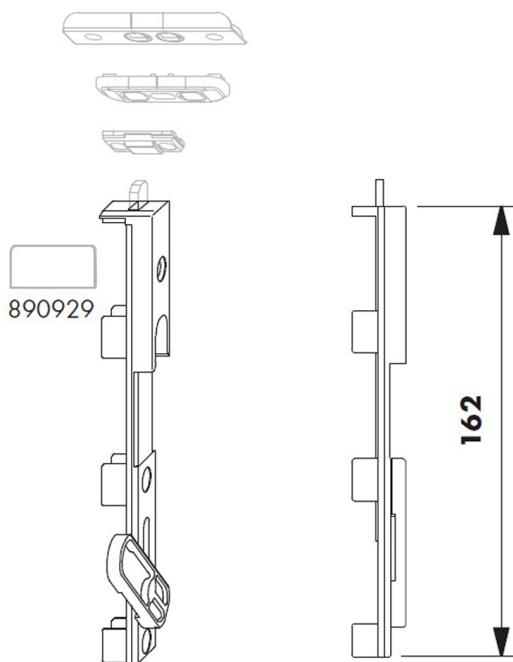


Catalogue not up to date?
Scan the QR or [click here](#)
to view the latest version

[Click to jump back to top](#)

Siegenia Top Shoot Bolt VSO

Fits in slave sash Eurogroove.



Product Code	Description	Size (mm)	Colour	Packaging Unit
701195	Shoot bolt VSO A2000	162	Titan Silver	25

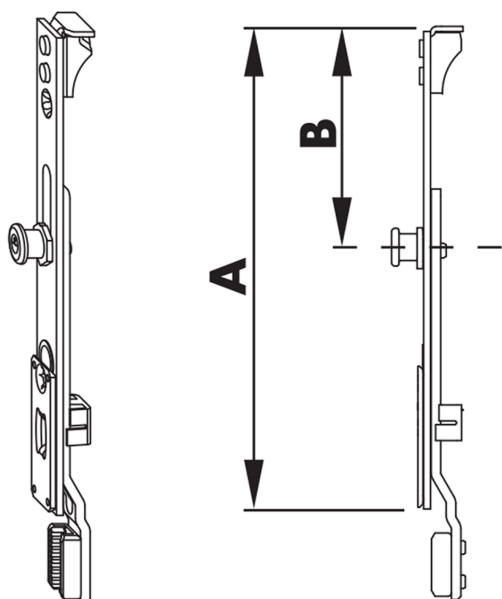


Catalogue not up to date?
Scan the QR or [click here](#)
to view the latest version

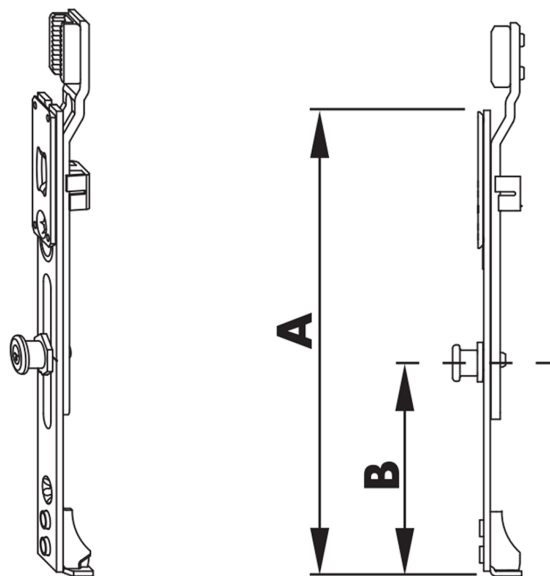
[Click to jump back to top](#)

Siegenia TITAN AF Locking Bolts

Gear operated locking bolts



TESC2010



TESC2020

Product Code	Description	Type	A	B	Cams	Screws	Surface Finish	P.U.
TESC2010-100010	locking bolt AF tilt 90° 1RS	In-Line	140	81	1	3	Titan Silver	25
TESC2020-100010	locking bolt AF VS 180° 1RS	In-Line	140	63	1	3	Titan Silver	25

*Dimensions (mm)

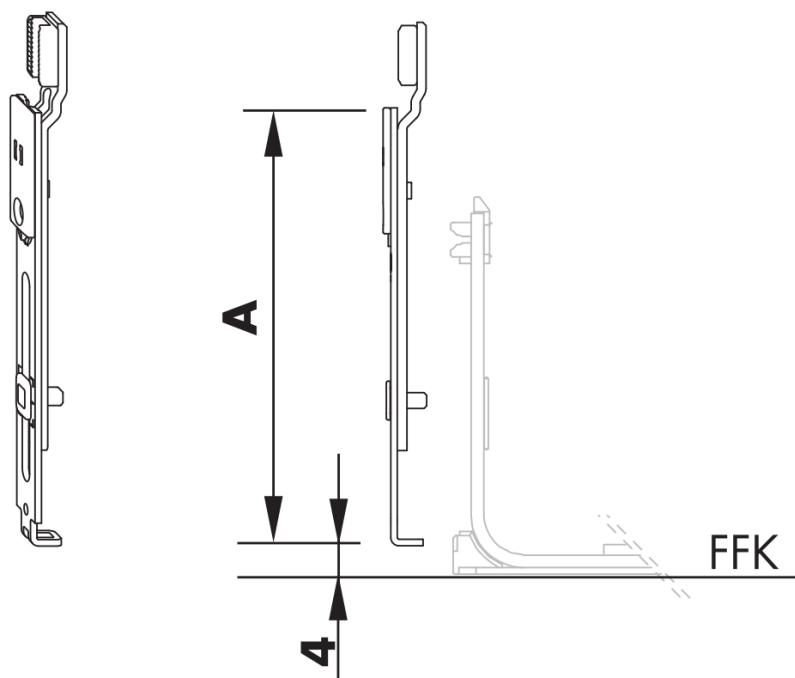


Catalogue not up to date?
Scan the QR or [click here](#)
to view the latest version

[Click to jump back to top](#)

Siegenia TITAN AF Locking Bolts

Gear operated locking bolts



Product Code	Description	Type	A	Cams	Screws	Surface Finish	P.U.
TESC3010-100010	locking bolt AF VSU/K	Reverse	140	0	2	Titan Silver	25

*Dimensions (mm)

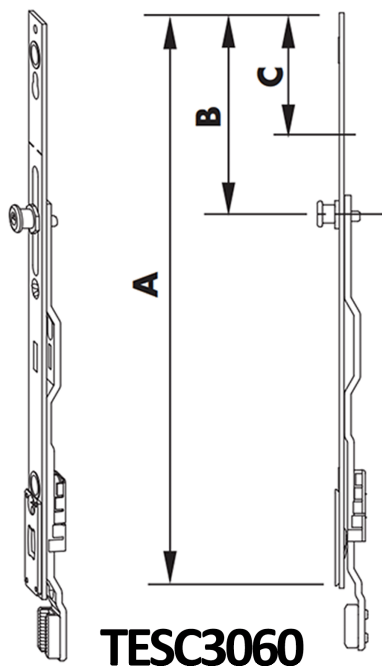


Catalogue not up to date?
Scan the QR or [click here](#)
to view the latest version

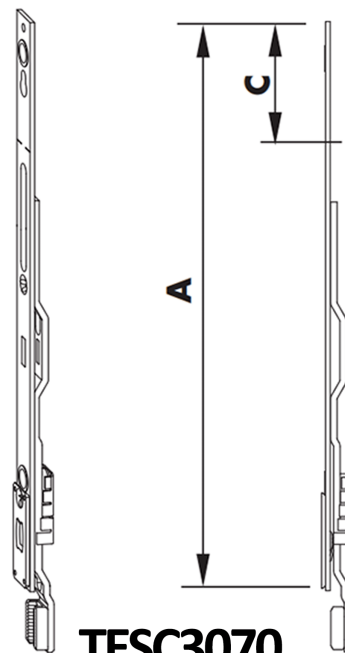
[Click to jump back to top](#)

Siegenia TITAN AF Locking Bolts

Gear operated locking bolts



TESC3060



TESC3070

Product Code	Description	Type	A	B	C	Cams	Screws	Surface Finish	P.U.
TESC3060-100010	locking bolt AF VSO RB 1RS	Reverse	246	86	56	1	4	Titan Silver	25
TESC3070-100011	locking bolt AF VSO RB	Reverse	246	-	56	0	4	Titan Silver	25

*Dimensions (mm)

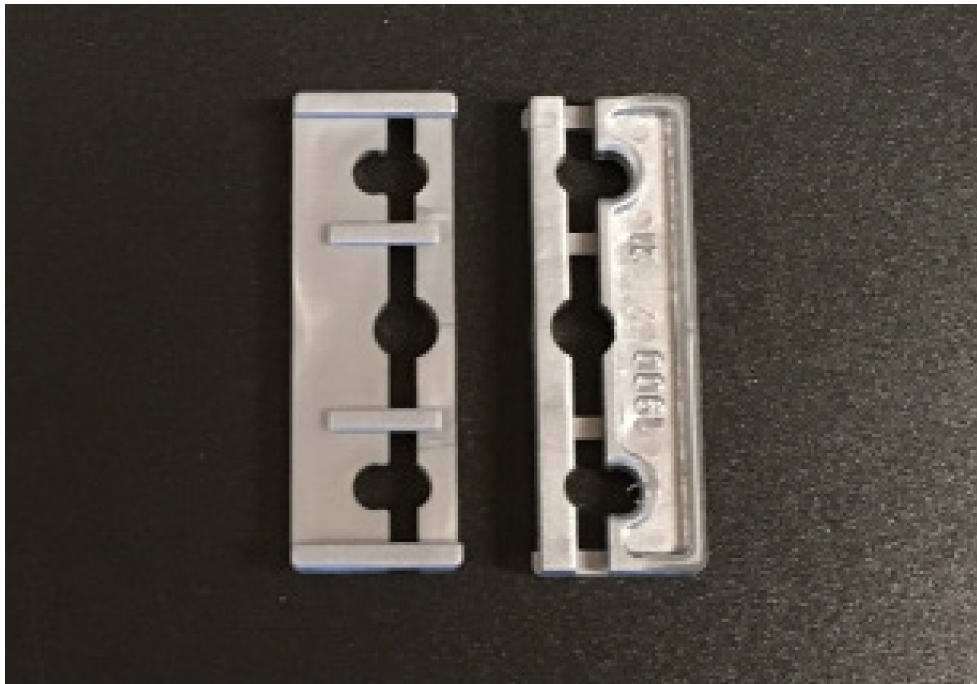


Catalogue not up to date?
Scan the QR or [click here](#)
to view the latest version

[Click to jump back to top](#)

Siegenia Frame Part Packer RB

Frame part packer for additional TITAN AF accessories.



Product Code	Description	Profile	Colour	Packaging Unit
TRUP0430-040010	Packer RB FBS	Deceuninck A4580	Grey	1
889091	Packer RB FBS	Kommerling A1940	Grey	1
889084	Packer RB FBS	Rehau A1900	Grey	1
889046	Packer RB FBS	Aluplast 2000 A2040	Grey	1
FRUP0170-040010	Packer RB FBS	Aluplast 4000 A2400	Grey	1

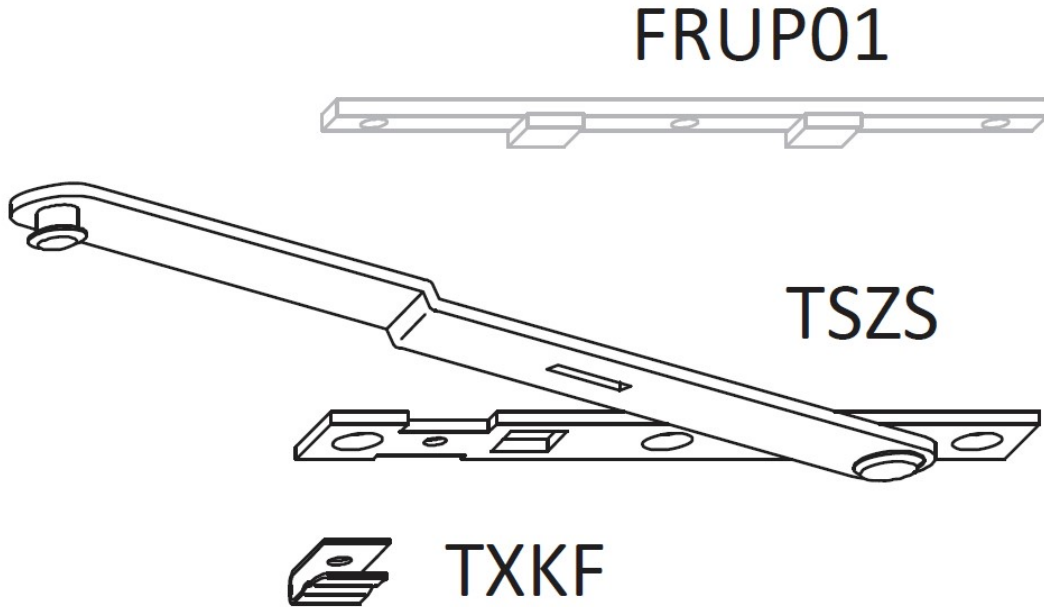


Catalogue not up to date?
Scan the QR or [click here](#)
to view the latest version

[Click to jump back to top](#)

Siegenia Packer Z

Packer for additional stay.



Product Code	Description	Profile	Colour	Packaging Unit
FRUP0180-040010	Packer Z A0608	Kommerling c70	titan silver	50
FRUP0190-040010	Packer Z A1900	Rehau	titan silver	50
FRUP0320-040010	Packer Z A2400	Aluplast Ideal 4000	titan silver	50
FRUP0410-040010	Packer Z A1940	Deceuninck Zendow	titan silver	50
FRUP0430-040010	Packer Z A2100	Aluplast Ideal 2000	titan silver	100

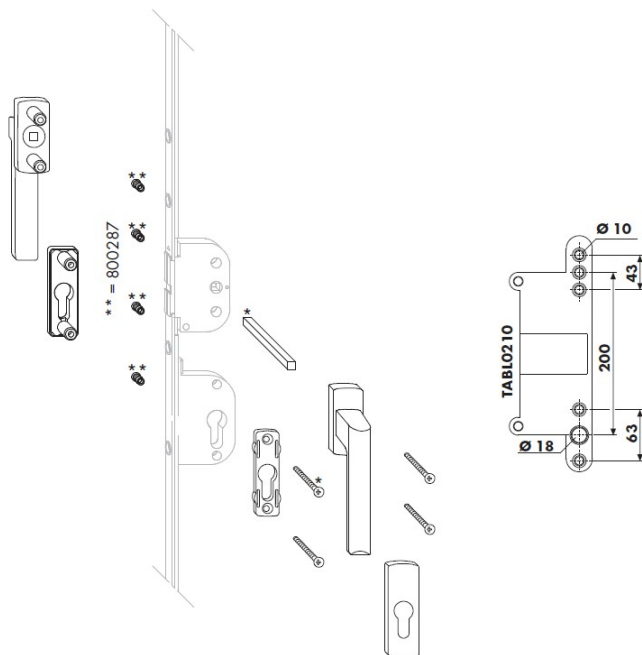


Catalogue not up to date?
Scan the QR or [click here](#)
to view the latest version

[Click to jump back to top](#)

Siegenia Sleeve Nut TS

M5 sleeve insert for converting gears without a thread.



Product Code	Description	Packaging Unit
800287	Sleeve nut TS M5	1

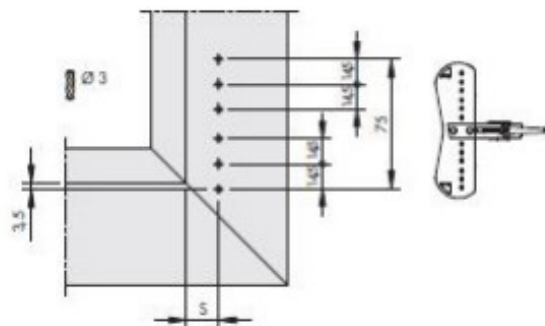


Catalogue not up to date?
Scan the QR or [click here](#)
to view the latest version

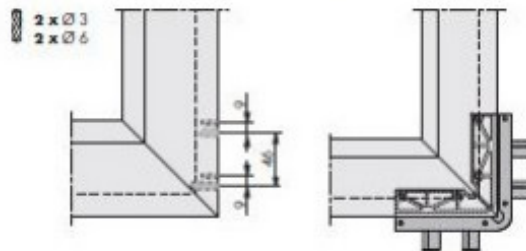
[Click to jump back to top](#)

Siegenia TITAN AF Jig Frame & Sash EB - uPVC

Jig for tilt & turn top and bottom, and sash frame hinges.



Frame jig



Sash jig

Product Code	Description	System	Profile	Packaging Unit
TABL0090-040010	Jig frame KF EB	uPVC	12/13	1
TABL0170-040011	Jig sash KF EB	uPVC	12/13	1

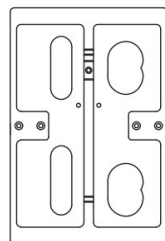
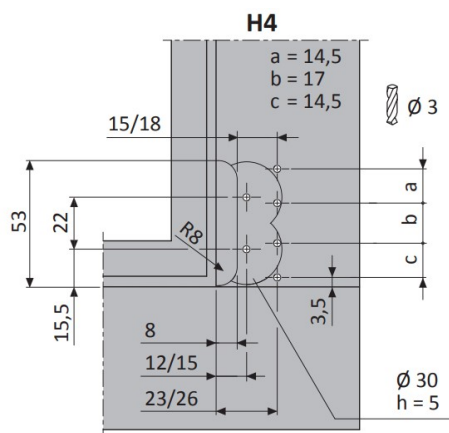


Catalogue not up to date?
Scan the QR or [click here](#)
to view the latest version

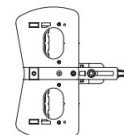
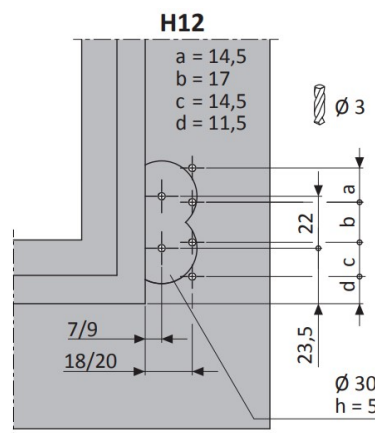
[Click to jump back to top](#)

Siegenia TITAN AF Jig Frame - Timber

Jig for tilt & turn top and bottom frame hinge.



H-4/15 = TMFS0010
H-4/18 = TMFS0020



H-12/18 = TAFS8010
H-12/20 = TAFS8020

Product Code	Description	System	Profile	Packaging Unit
TAFS8010-010010	Timber jig H TT	timber	12/18	1
TAFS8020-010010	Timber jig H TT	timber	12/20	1

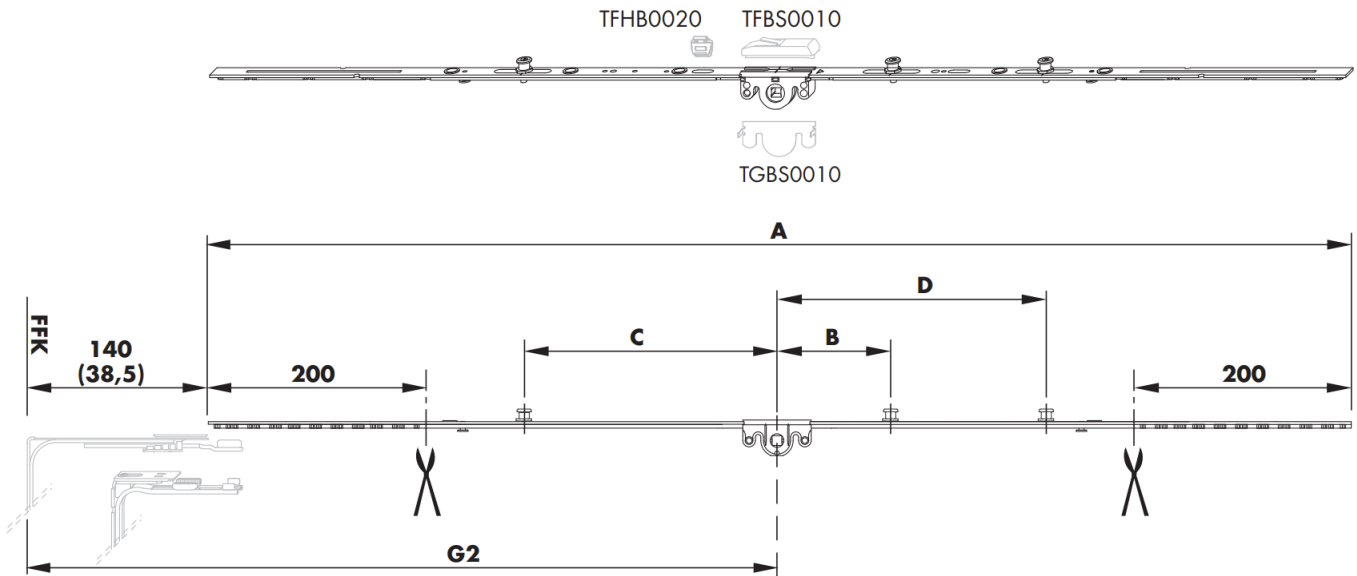


Catalogue not up to date?
Scan the QR or [click here](#)
to view the latest version

[Click to jump back to top](#)

Siegenia TITAN AF Gear 15

Tilt & turn gear with 15mm backset.



Product Code	Description	FFH	G2	A	B	C	Cams	Screws	Surface Finish	P.U.
TGMK4010-100010	Gear 15 AF SZ 20	260-600	130-300	630	-	-	0	0	Titan Silver	25
TGMK4020-100010	Gear 15 AF SZ 60	601-1000	300-500	720	-	-	0	2	Titan Silver	25
TGMK4040-100010	Gear 15 AF SZ 80 1RS	801-1200	400-600	920	80	-	1	3	Titan Silver	25
TGMK4160-100010	Gear 15 AF SZ 120 2RS	1201-1600	600-800	1320	280	220	2	6	Titan Silver	25
TGMK4170-100010	Gear 15 AF SZ 160 2RS	1601-2000	800-1000	1720	392	408	2	7	Titan Silver	10
TGMK4110-100010	Gear 15 AF SZ 200 3RS	2001-3000	1000-1500	2120	392	408	3	9	Titan Silver	10
TGMK4010-200010	Gear 15 AF SZ 20	260-600	130-300	630	-	-	0	0	Elook Coastal	25
TGMK4020-200010	Gear 15 AF SZ 60	601-1000	300-500	720	-	-	0	2	Elook Coastal	25
TGMK4040-200010	Gear 15 AF SZ 80 1RS	801-1200	400-600	920	80	-	1	3	Elook Coastal	25
TGMK4160-200010	Gear 15 AF SZ 120 2RS	1201-1600	600-800	1320	280	220	2	6	Elook Coastal	25
TGMK4170-200010	Gear 15 AF SZ 160 2RS	1601-2000	800-1000	1720	392	408	2	7	Elook Coastal	10
TGMK4110-200010	Gear 15 AF SZ 200 3RS	2001-3000	1000-1500	2120	392	408	3	9	Elook Coastal	10

*Dimensions (mm)

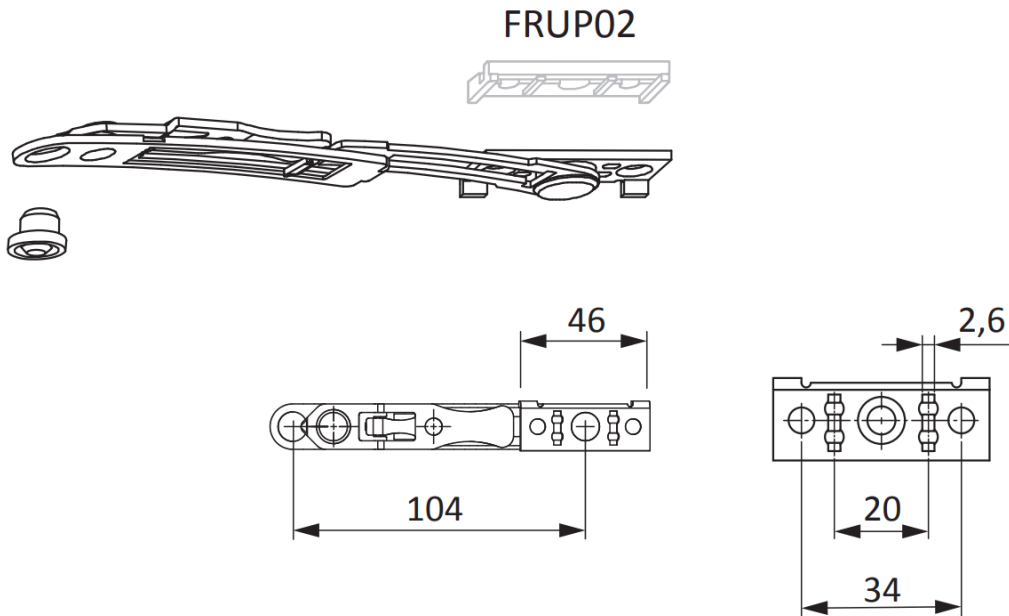


Catalogue not up to date?
Scan the QR or [click here](#)
to view the latest version

[Click to jump back to top](#)

Siegenia Tilt Only Telescopic Stay

Telescopic stay for tilt windows, retrofits onto Siegenia gear faceplate.



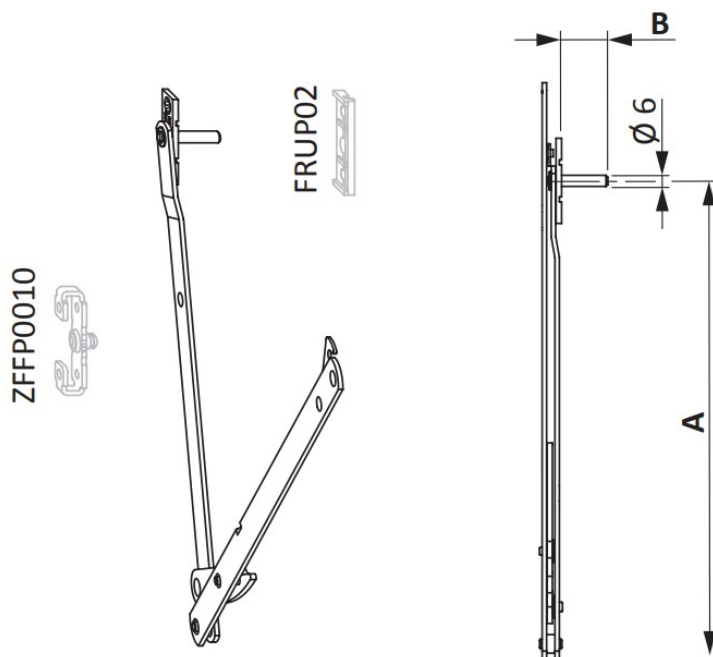
Product Code	Description	Size (mm)	Sash weight (kg)	Surface Finish	Packaging Unit
TSKF0020-100010	Tilt only telescopic stay	290-2400	50	titan silver	100
TSKF0020-200010	Tilt only telescopic stay	290-2400	50	Elook Coastal	100
TFZB0050-100010	Lock bolt for raised faceplate	n/a	n/a	-	100
TFZB0060-100010	Lock bolt for flat faceplates	n/a	n/a	-	100



Catalogue not up to date?
Scan the QR or [click here](#)
to view the latest version

[Click to jump back to top](#)

Siegenia Tilt Only Safety Stay



Product Code	Description	Handling	FFH	A	B	Sash Weight (kg)	Packaging Unit
ASFP0031-100010	Tilt only safety stay	right	350-500	163	25	50	1
ASFP0032-100010	Tilt only safety stay	left	350-500	163	25	50	1
ASFP0041-100010	Tilt only safety stay	right	501-800	258	25	50	1
ASFP0042-100010	Tilt only safety stay	left	501-800	258	25	50	1
ZFFP0010-100010	Fixing claw	-	-	-	-	-	1

*Dimensions (mm)

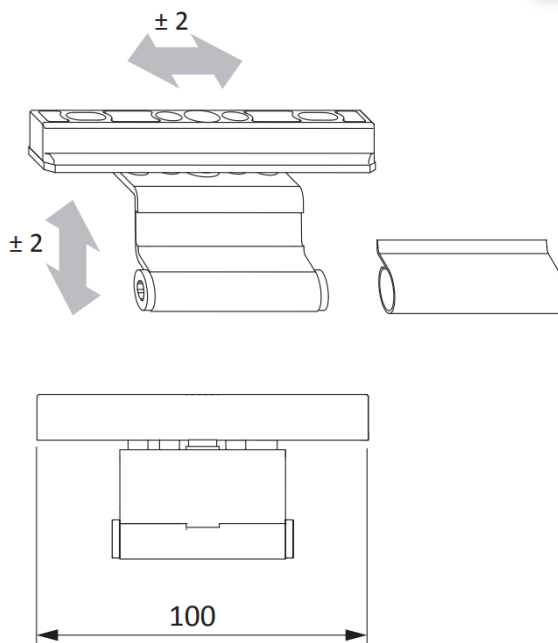


Catalogue not up to date?
Scan the QR or [click here](#)
to view the latest version

[Click to jump back to top](#)

Siegenia TITAN AF Tilt Only Hinge

For inward opening tilt windows, used in conjunction with TITAN AF tilt & turn top hinge.



Product Code	Description	Handing	System	Profile	Packaging Unit
TBKF6020-100010	Tilt hinge	variable	uPVC	20-9	50
TBKF6050-100010	Tilt hinge	variable	uPVC	20-13	50
TBKF6070-100013	Tilt hinge	variable	uPVC	21-13	50

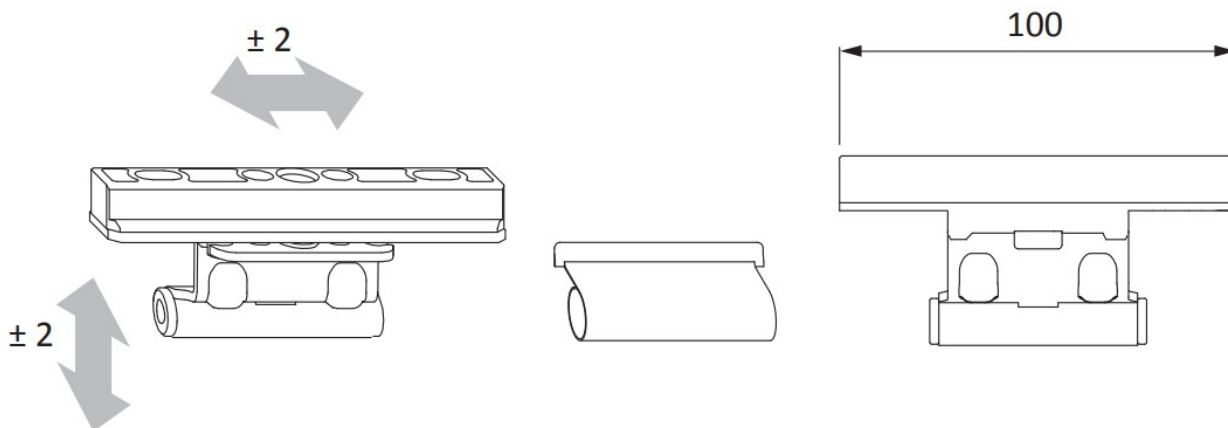


Catalogue not up to date?
Scan the QR or [click here](#)
to view the latest version

[Click to jump back to top](#)

Siegenia TITAN AF Tilt Only Hinge

For inward opening tilt windows, used in conjunction with TITAN AF tilt & turn top hinge.



Product Code	Description	Handing	System	Profile	Packaging Unit
TBKF8100-100010	Tilt hinge	variable	timber	18-9	50
TBKF8110-100010	Tilt hinge	variable	timber	18-13	50

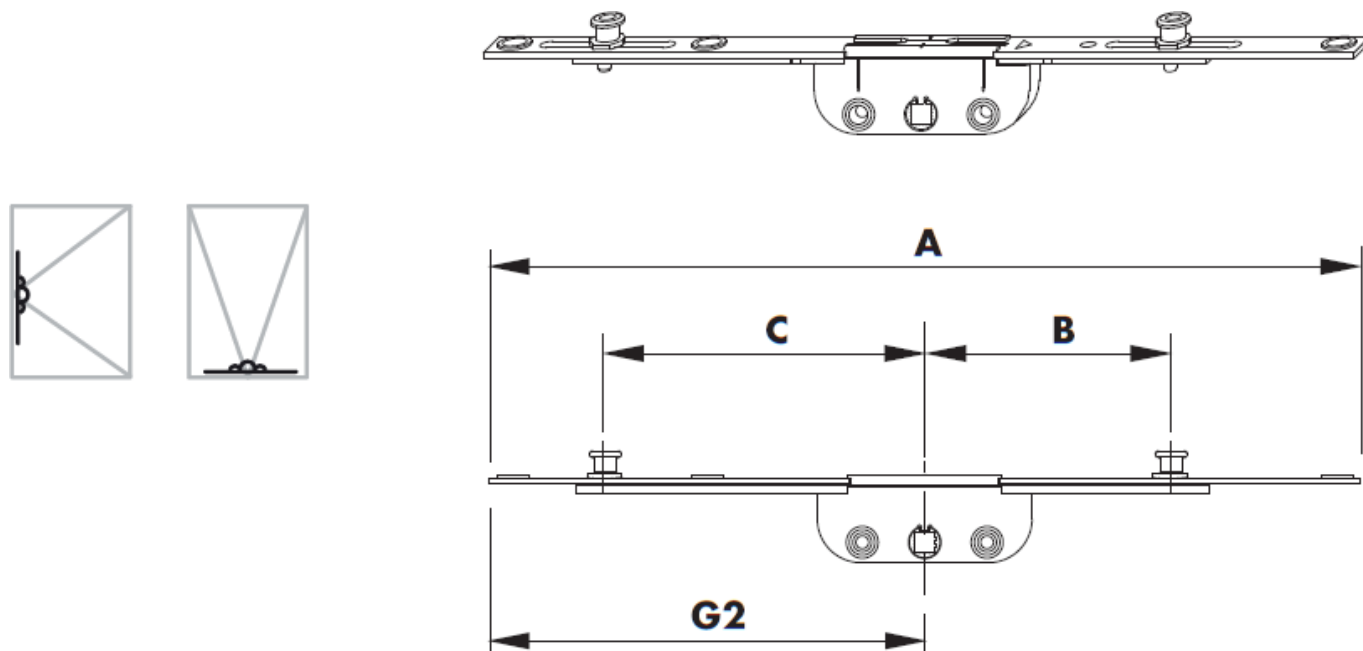


Catalogue not up to date?
Scan the QR or [click here](#)
to view the latest version

[Click to jump back to top](#)

Siegenia TGMD Awning & Casement Gear - Non Extendable

Outward opening gear with 22mm backset. Non extendable



Product Code	Description	FFH	G2	A	B	C	Cams	Screws	P.U.
TGMD5510-100010	Gear AF/DF 22 RLS sz 10	330-800	130-300	300	84	111	2	3	25

*Dimensions (mm)



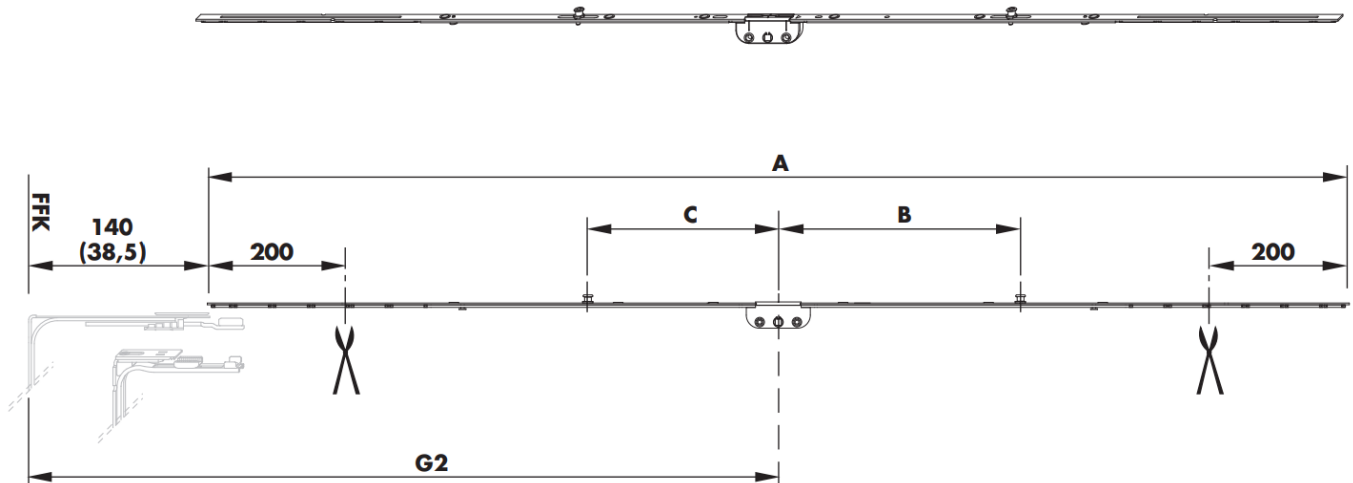
Catalogue not up to date?
Scan the QR or [click here](#)
to view the latest version

[Click to jump back to top](#)

Siegenia TGMD Awning & Casement Gear

Outward opening window system with gear, corner drives, extension options and striker

Outward opening gear with 22mm backset. Ability to couple with corner drives and extensions.



Product Code	Description	FFH	G2	A	B	C	Cams	Screws	P.U.
TGMD5520-100010	gear AF/DF 22 RLS sz 20	260-600	130-300	630	-	-	0	0	25
TGMD5530-100010	gear AF/DF 22 RLS sz 60	601-1000	300-500	720	-	-	0	2	25
TGMD5540-100010	gear AF/DF 22 RLS sz 70 1RS	701-1100	350-550	820	80	-	1	2	25
TGMD5550-100010	gear AF/DF 22 RLS sz 80 1RS	801-1200	400-600	920	80	-	1	3	25
TGMD5560-100010	gear AF/DF 22 RLS sz 120 2RS	1201-1600	600-800	1320	280	220	2	6	25
TGMD5570-100010	gear AF/DF 22 RLS sz 160 2RS	1601-2000	800-1000	1720	392	408	2	7	10
TGMD5580-100010	gear AF/DF 22 RLS sz 200 2RS	2001-2400	1000-1200	2120	392	408	2	9	10

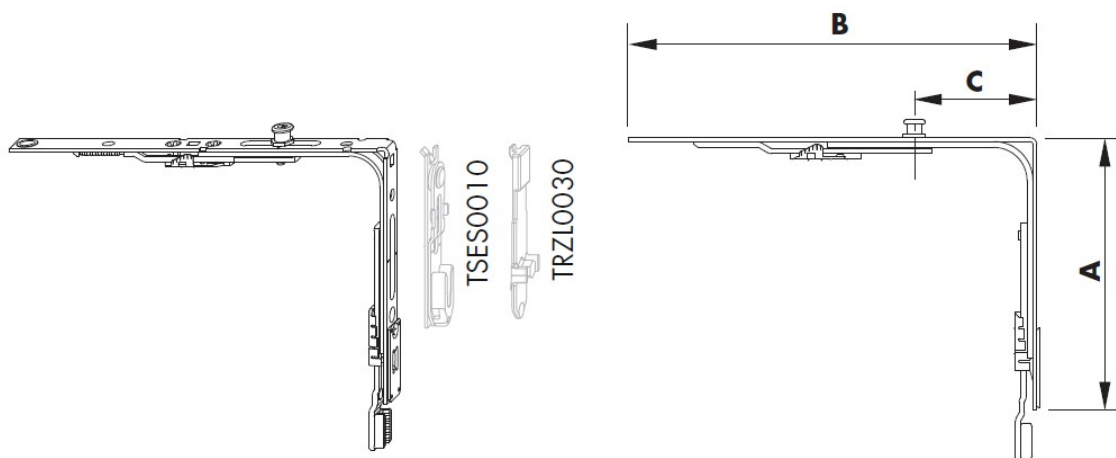
*Dimensions (mm)



Catalogue not up to date?
Scan the QR or [click here](#)
to view the latest version

[Click to jump back to top](#)

Siegenia TGMD Awning & Casement Corner Drive



Product Code	Description	A	B	C	Cams	Screws	Surface Finish	P.U.
TEUL4110-100010	Corner Drive AF VSO/K+ DF 1RS	140	210	63	1	5	Titan Silver	50
TEUL4110-200010	Corner Drive AF VSO/K+ DF 1RS	140	210	63	1	5	Elook Coastal	50

*Dimensions (mm)

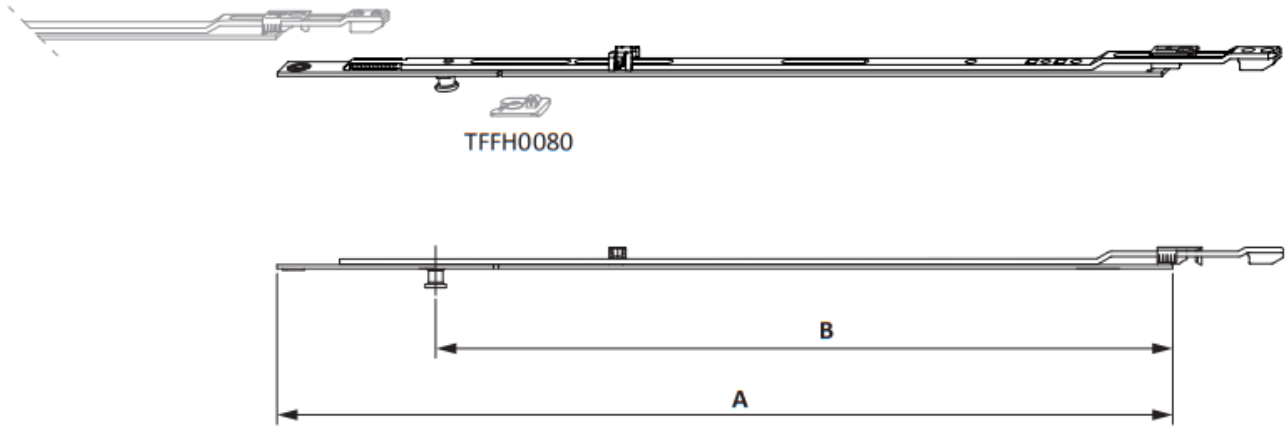


Catalogue not up to date?
Scan the QR or [click here](#)
to view the latest version

[Click to jump back to top](#)

Siegenia TGMD Awning & Casement Linkages

Extensions with female and male coupling ends, used to extend corner drives.



Product Code	Description	A	B	Cams	Screws	Surface Finish	Packaging Unit
TZBS0180-100010	Linkage SZ 1	304	217	1	2	Titan Silver	25
TZBS0190-100010	Linkage SZ 2	504	417	1	3	Titan Silver	25
TZBS0200-100010	Linkage SZ 3	800	713	1	5	Titan Silver	25
TZBS0180-200010	Linkage SZ 1	304	217	1	2	Elook Coastal	25
TZBS0190-200010	Linkage SZ 2	504	417	1	3	Elook Coastal	25

*Dimensions (mm)

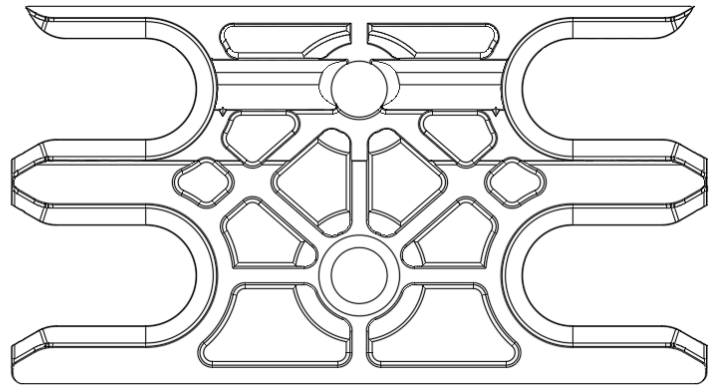
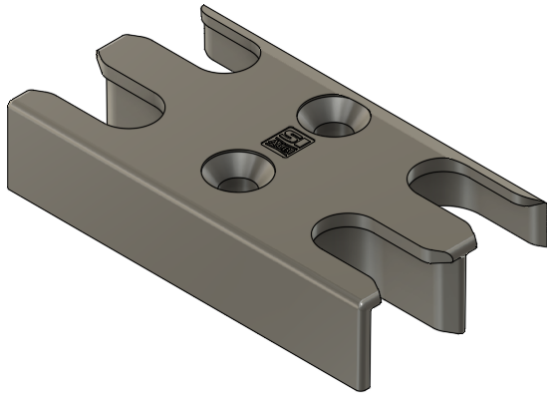


Catalogue not up to date?
Scan the QR or [click here](#)
to view the latest version

[Click to jump back to top](#)

Siegware TGMD Awning & Casement Strikers

Security striker for TGMD gears.



Product Code	Description	System	Profile	Packaging Unit
TRSY0070-100010	Outward opening striker	timber & uPVC	Deceuninck Kommerling Aluplast Ideal 4000	100

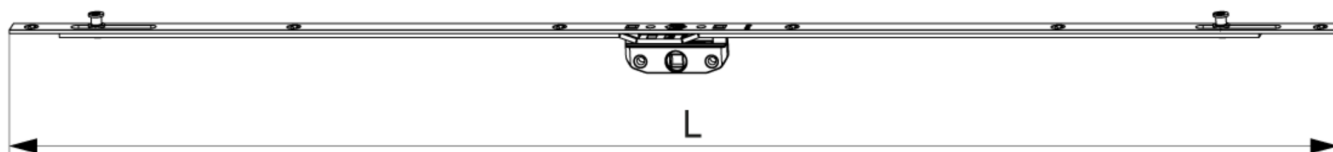


Catalogue not up to date?
Scan the QR or [click here](#)
to view the latest version

[Click to jump back to top](#)

Gears - BS 20mm

Maco casement outward non-croppable espag, BS20 mm, mushroom height 7.7 mm



Part Code	Description	Length	Cams	Finish	Backset	Sash Rebate Height	Packing Unit
58493	Outward opening espag with BS20 mushroom height 7.7mm	260	2	Silver	20	260-400	20
58501	Outward opening espag with BS20 mushroom height 7.7mm	400	2	Silver	20	401-600	20
58508	Outward opening espag with BS20 mushroom height 7.7mm	600	2	Silver	20	601-800	20
58515	Outward opening espag with BS20 mushroom height 7.7mm	800	2	Silver	20	801-1000	20

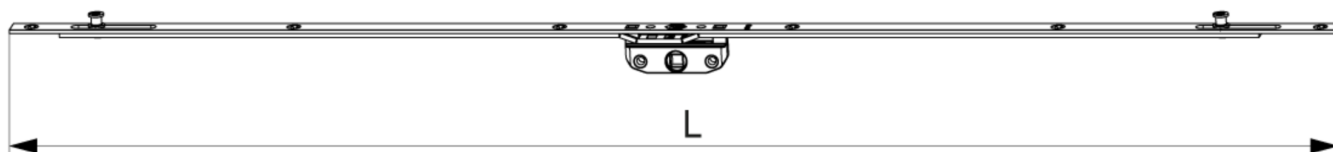


Catalogue not up to date?
Scan the QR or [click here](#)
to view the latest version

[Click to jump back to top](#)

Gears - BS 22mm

Maco casement outward non-croppable espag, BS22 mm, mushroom height 7.7 mm



Part Code	Description	Length	Cams	Finish	Backset	Sash Rebate Height	Packing Unit
58511	Outward opening espag with BS22 mushroom height 7.7mm	600	2	Silver	22	601-800	20
58518	Outward opening espag with BS22 mushroom height 7.7mm	800	2	Silver	22	801-1000	20
58525	Outward opening espag with BS22 mushroom height 7.7mm	1000	3	Silver	22	1001-1200	20
58530	Outward opening espag with BS22 mushroom height 7.7mm	1200	3	Silver	22	1201-1400	20



Catalogue not up to date?
Scan the QR or [click here](#)
to view the latest version

[Click to jump back to top](#)

Night Vent Strikers

Night vent vtriiker allows controlled night ventilation while ensuring the window remains securely locked.



Part Code	Description	Profile	Packaging Unit
373446	Night vent striker	Aluplast ID 4000	20
364409	Night vent striker	Koemmerling C70	20
356017	Night vent striker	Koemmerling C76	20
94276	Night vent striker	Deceuninck Legend Art	20



Catalogue not up to date?
Scan the QR or [click here](#)
to view the latest version

[Click to jump back to top](#)

Cotswold Friction Stays - Ferritic

Handed friction stays made from Ferritic stainless steel.



Product Code	Size (inch)	Stack height (mm)	System	Opening angle	Function	Sash weight (kg)	Packaging Unit
SF0816T10S18A	8"	16	uPVC	62°	top & side	10 + 18	50
SF1216T21S24A	12"	16	uPVC	86°	top & side	21 + 24	25
SF1616T22S24A	16"	16	uPVC	83°	top & side	22 + 24	25
SF2016T24A	20"	16	uPVC	42°	top only	24	25
SF2416T50A	24"	16	uPVC	38°	top only	50	25
SF1616S35A	16"	16	uPVC	84°	side only	35	25

*Comes as a pair



Catalogue not up to date?
Scan the QR or [click here](#)
to view the latest version

[Click to jump back to top](#)

Cotswold Handed Restricted Friction Stays - Ferritic

Pull tab operation to release restriction, made from Ferritic stainless steel.



Product Code	Size (inch)	Stack height (mm)	System	Opening angle	Function	Sash weight	Handing	P.U.
SF1216T20CLH	12"	16	uPVC	11° & 59°	top	20kg	Left	50
SF1616T24CLH	16"	16	uPVC	10° & 48°	top	24kg	Left	50
SF2016T24CLH	20"	16	uPVC	8.5° & 45°	top	24kg	Left	50
SF2416T50CLH	24"	16	uPVC	7.6° & 45°	top	50kg	Left	50
SF1216T20CRH	12"	16	uPVC	11° & 59°	top	20kg	Right	50
SF1616T24CRH	16"	16	uPVC	10° & 48°	top	24kg	Right	50
SF2016T24CRH	20"	16	uPVC	8.5° & 45°	top	24kg	Right	50
SF2416T50CRH	24"	16	uPVC	7.6° & 45°	top	50kg	Right	50

*Note: Restricted stays come in single parts, please specify LH or RH items in your order.



Catalogue not up to date?
Scan the QR or [click here](#)
to view the latest version

[Click to jump back to top](#)

Cotswold Friction Stays - Austenitic

Handed friction stays made from Ferritic stainless steel.



Product Code	Size (inch)	Stack height (mm)	System	Opening angle	Function	Sash weight (kg)	Packaging Unit
SA0816T10S18A	8"	16	uPVC	62°	top & side	10 + 18	50
SA1216T21S24A	12"	16	uPVC	86°	top & side	21 + 24	25
SA1616T22S24A	16"	16	uPVC	83°	top & side	22 + 24	25
SA2016T24A	20"	16	uPVC	42°	top only	24	25
SA2416T50A	24"	16	uPVC	38°	top only	50	25
SA1616S35A	16"	16	uPVC	84°	side only	35	25

*Comes as a pair



Catalogue not up to date?
Scan the QR or [click here](#)
to view the latest version

[Click to jump back to top](#)

Cotswold Friction Stays - Ferritic

Non handed friction stays made from Ferritic stainless steel.



Product Code	Size (inch)	Stack height (mm)	System	Opening angle	Function	Sash weight (kg)	Packaging Unit
FSS2413	24	13	timber	38°	top	32	25
FSS2013	20	13	timber	42°	top	24	25
FSS1613	16	13	timber	51°	top	22	25
FSS1213	12	13	timber	64°	top	21	25

*Comes as a pair



Catalogue not up to date?
Scan the QR or [click here](#)
to view the latest version

[Click to jump back to top](#)

Friction Hinges

Side hung easy clean heavy duty friction hinges - SS304



Part Code	Description	Size	Stack Height	Load Capacity	Opening Angle	Packaging Unit
KFS-EHD-SP-12_90D(SS-304)	12" easy clean heavy duty SH friction hinge - SS304	12"	16	25 Kg / Pair	90°	25
KFS-EHD-SP-16_90D(SS-304)	16" easy clean heavy duty SH friction hinge - SS304	16"	16	35 Kg / Pair	90°	25



Catalogue not up to date?
Scan the QR or [click here](#)
to view the latest version

[Click to jump back to top](#)

Friction Hinges

Top hung easy clean heavy duty friction hinges - SS304



Part Code	Description	Size	Stack Height	Load Capacity	Opening Angle	Packaging Unit
KFS-EHD-SP-12_45D(SS-304)	12" easy clean heavy duty TH friction hinge - SS304	12"	16	30 Kg / Pair	45°	25
KFS-EHD-SP-16_30D(SS-304)	16" easy clean heavy duty TH friction hinge - SS304	16"	16	40 Kg / Pair	30°	25
KFS-EHD-SP-20_30D(SS-304)	20" easy clean heavy duty TH friction hinge - SS304	20"	16	50 Kg / Pair	30°	25
KFS-EHD-SP-24_30D(SS-304)	24" easy clean heavy duty TH friction hinge - SS304	24"	16	60 Kg / Pair	30°	25



Catalogue not up to date?
Scan the QR or [click here](#)
to view the latest version

[Click to jump back to top](#)

Friction Hinges

Top hung easy clean light duty friction hinges - SS304



Part Code	Description	Size	Stack Height	Load Capacity	Opening Angle	Packaging Unit
KFS-LD-SP-24_30D_ST16(SS304)	24" easy clean light duty TH friction hinge - SS304	24"	16	40 Kg / Pair	30°	25

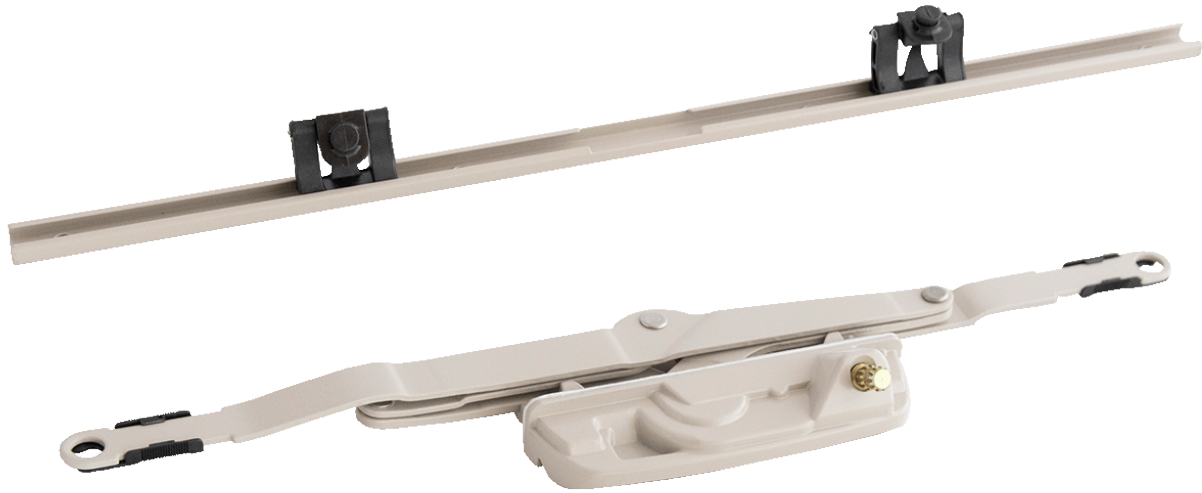


Catalogue not up to date?
Scan the QR or [click here](#)
to view the latest version

[Click to jump back to top](#)

Elite-04 X-Style Awning Operator & Sash Track

X style awning operator and track



Product Code	Description	Colour	Packaging Unit
ELITE-04 (BG)	X-Style awning operator	beige	20
ELITE-04-3(BG)	X-Style awning operator track	beige	40

*Note: Elite-04 also requires an operator and track.



Catalogue not up to date?
Scan the QR or [click here](#)
to view the latest version

[Click to jump back to top](#)

Crank Cover for Elite-04

Non-lockable cover set to suit Elite-04 operator. Includes plastic cover and metal operator arm.



Product Code	Description	Colour	Handing	Packaging Unit
FH-03A(BL)	Crank cover	black	left handed	20
FH-03A(OW)	Crank cover	white	left handed	20
FH-03A(SIL)	Crank cover	silver	left handed	20



Catalogue not up to date?
Scan the QR or [click here](#)
to view the latest version

[Click to jump back to top](#)

Lockable Crank Cover for Elite-04

Lockable crank cover to suit Elite-04 operator. Simple click on installation.



Product Code	Description	Colour	Handing	Packaging Unit
FH-08A(BLK)	Lockable crank cover	black	left handed	20
FH-08A(OW)	Lockable crank cover	white	left handed	20
FH-08A(SIL)	Lockable crank cover	silver	left handed	20



Catalogue not up to date?
Scan the QR or [click here](#)
to view the latest version

[Click to jump back to top](#)

Elite-05 Awning Window Operator

Awning window operator to suit uPVC window systems.



Product Code	Description	Colour	Packaging Unit
ELITE-05(BG)	O-Style awning operator	beige	20
ELITE-05 SS	O-Style awning operator	Stainless steel	20

*Note: OSC adaptor piece (available as kits) is required to affix into the Eurogroove.

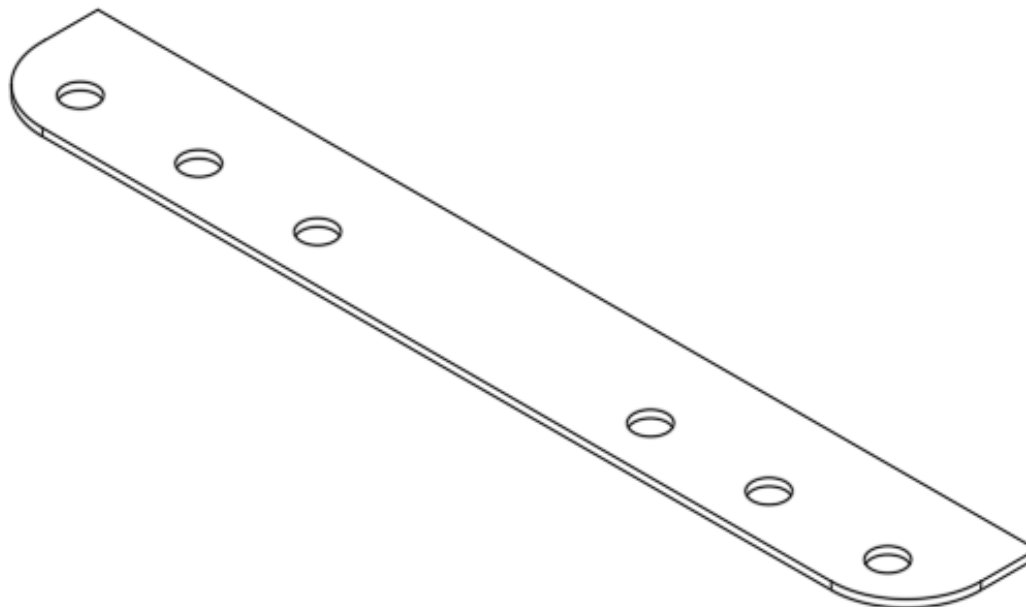


Catalogue not up to date?
Scan the QR or [click here](#)
to view the latest version

[Click to jump back to top](#)

Elite-05 Awning Operator Shim

Optional build up shim to adapt ELITE Awning Operators to common uPVC profiles.



Product Code	Thickness	Profile	Packing Unit
ELITE-SHIM-1G	1 mm	Aluplast Ideal 4000 / Deceuninck Legend Art	1
ELITE-SHIM-2G	2 mm	Aluplast Ideal 4000 / Deceuninck Legend Art	1
ELITE-SHIM-C70	2 mm	Kommerling C70	1

*Note: Shims generally not required for Casement Windows.



Catalogue not up to date?
Scan the QR or [click here](#)
to view the latest version

[Click to jump back to top](#)

Crank Cover for Elite-05

Non-lockable cover set to suit Elite-05 operator. Includes plastic cover and metal operator arm.



Product Code	Description	Colour	Handing	Packaging Unit
FH-03A(BL)	Crank cover	black	left handed	20
FH-03A(OW)	Crank cover	white	left handed	20
FH-03A(SIL)	Crank cover	silver	left handed	20



Catalogue not up to date?
Scan the QR or [click here](#)
to view the latest version

[Click to jump back to top](#)

Lockable Crank Cover for Elite-05

Lockable crank cover to suit Elite-05 operator. Simple click on installation.



Product Code	Description	Colour	Handing	Packaging Unit
FH-08A(BLK)	Lockable crank cover	black	left handed	20
FH-08A(OW)	Lockable crank cover	white	left handed	20
FH-08A(SIL)	Lockable crank cover	silver	left handed	20



Catalogue not up to date?
Scan the QR or [click here](#)
to view the latest version

[Click to jump back to top](#)

OSC Eurogroove Adaptor

Adaptor piece to join Elite-05 operator into the Eurogroove of uPVC window systems. Kit includes adaptor piece and stainless-steel circlip.



Product Code	Description	Colour	Packaging Unit
OSC-01-KIT-1	Single adaptor kit for Eurogroove	black	1
OSC-01-KIT-20	20 pack adaptor kit for Eurogroove	black	1
9051255	1000pcs Blaubelb Installation Screw 4 x 16mm	-	1
9051256	1000pcs Blaubelb Installation Screw 4 x 20mm	-	1

*2 x Installation screws required per adaptor (purchase seperately)



Catalogue not up to date?
Scan the QR or [click here](#)
to view the latest version

[Click to jump back to top](#)

Awning Window Sash Locks

Single point sash lock for use in uPVC window frames to provide locking functionality from the inside without the need for a key. The sash lock can be used on the left and the right sides of the sash.



Product Code	Description	Colour	Packaging Unit
CL-03B(BL)	Awning single point lock	black	25
CL-03B(OW)	Awning single point lock	white	25
CL-03B(SIL)	Awning single point lock	silver	25



Catalogue not up to date?
Scan the QR or [click here](#)
to view the latest version

[Click to jump back to top](#)

Latch Plate Kit for CL-03B Series Sash Lock

Lock plate kit to suit CL-03B series awning window sash locks.



Product Code	Description	Suit Profile	Colour / Finish	Packaging Unit
LP-02(BG)-KIT-1	Single awning sash lock plate kit	Generic	beige	1
LP-02(BG)-KIT-20	20 pack awning sash lock plate kit	Generic	beige	1
LP-A2400-GAL	Single awning sash lock plate	Aluplast Ideal 4000	galvanised	1
LP-A2400-SS	MP LATCH PLATE A2400 SS304		stainless steel	1
6606015780	100pcs Pan head install screws 4.8 x 25mm	-	-	1



Catalogue not up to date?
Scan the QR or [click here](#)
to view the latest version

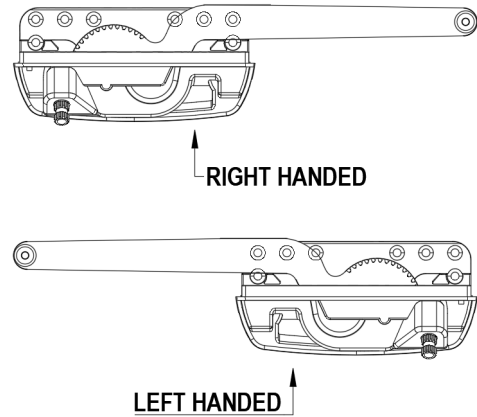
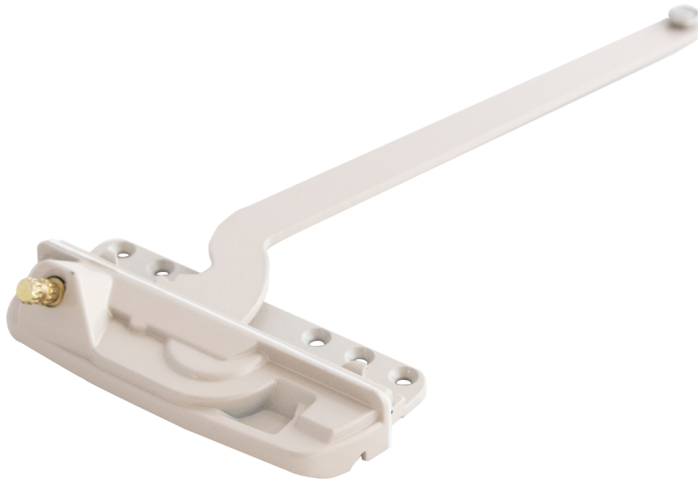
[Click to jump back to top](#)

Elite-06 Single Arm Casement Operator

Casement window operator to suit uPVC window systems. Available in left and right sided operation in several lengths.

Elite-6 operator requires a track to be installed on the sash to operate (Part code: 380 TRACK)

Left handed operators require type A covers and right handed operators require type B covers.



Product Code	Description	Arm Length (inch)	Handing	Colour	Packaging unit
ELITE-06L-8	Single arm casement operator	7.5	left	beige	10
ELITE-06L-10	Single arm casement operator	9.5	left	beige	10
ELITE-06L-14	Single arm casement operator	13.5	left	beige	10
ELITE-06R-8	Single arm casement operator	7.5	right	beige	10
ELITE-06R-10	Single arm casement operator	9.5	right	beige	10
ELITE-06R-14	Single arm casement operator	13.5	right	beige	10



Catalogue not up to date?
Scan the QR or [click here](#)
to view the latest version

[Click to jump back to top](#)

Guide rack for Elite-06

Track to attach to the sash to allow the Elite-06 casement operator to slide.



Product Code	Description	Handing	Colour	Packaging unit
380 TRACK	Single arm track	left & right	stainless steel	1



Catalogue not up to date?
Scan the QR or [click here](#)
to view the latest version

[Click to jump back to top](#)

Crank Cover for Elite-06

Non-lockable cover set for Elite-06 operator. Includes plastic cover and metal operator arm.



Product Code	Description	Handing	Colour	Packaging unit
FH-03A(BL)	Crank cover	left	black	20
FH-03A(OW)	Crank cover	left	white	20
FH-03A(SIL)	Crank cover	left	silver	20
FH03B(BL)	Crank cover	right	black	20
FH03B(OW)	Crank cover	right	white	20
FH03B(SIL)	Crank cover	right	silver	20

*Note: Ensure the crank cover set is matched to the correct sided operator.



Catalogue not up to date?
Scan the QR or [click here](#)
to view the latest version

[Click to jump back to top](#)

Lockable Crank Cover for Elite-06

Lockable crank cover to suit Elite-06 operator. Simple click on installation.

Careful attention should be paid to proper ordering of left and right covers.



Product Code	Description	Handing	Colour	Packaging unit
FH-08A(BLK)	Lockable crank cover	left	black	20
FH-08A(OW)	Lockable crank cover	left	white	20
FH-08A(SIL)	Lockable crank cover	left	silver	20
FH-08B(BLK)	Lockable crank cover	right	black	20
FH-08B(OW)	Lockable crank cover	right	white	20
FH-08B(SIL)	Lockable crank cover	right	silver	20

*Note: Ensure the crank cover set is matched to the correct sided operator.



Catalogue not up to date?
Scan the QR or [click here](#)
to view the latest version

[Click to jump back to top](#)

Sash Lock Striker

Sash lock striker for CL-03B Series Sash Lock.



Product Code	Description	Material	Packaging Unit
CS-12A(SS)	Sash lock striker - uPVC (Generic)	stainless steel	1
CS-12(SS)	Sash lock striker - timber	stainless steel	1
CS-A2400-SS	Sash lock striker for Aluplast Ideal 4000	stainless steel	1
9051255	1000pcs Blaubelb Installation Screw 4 x 16mm	-	1
9051256	1000pcs Blaubelb Installation Screw 4 x 20mm	-	1

*2-3 installation screws required per striker (purchase separately)



Catalogue not up to date?
Scan the QR or [click here](#)
to view the latest version

[Click to jump back to top](#)

Athena Casements Hinge

Can be adjusted in three dimensions, load up to 100kg with three hinges, and can be used on left or right



Product Code	Description	Weight (kg)	Colour / Finish	Packaging Unit
0713-2000-BK	Athena hinge for uPVC	100	black	24
0713-2000-BR	Athena hinge for uPVC	100	brown	24
0713-2000-SS	Athena hinge for uPVC	100	satın silver	24
0713-2000-WH	Athena hinge for uPVC	100	white	24
JIG-0045	Jig for Athena hinge	N/A	N/A	1

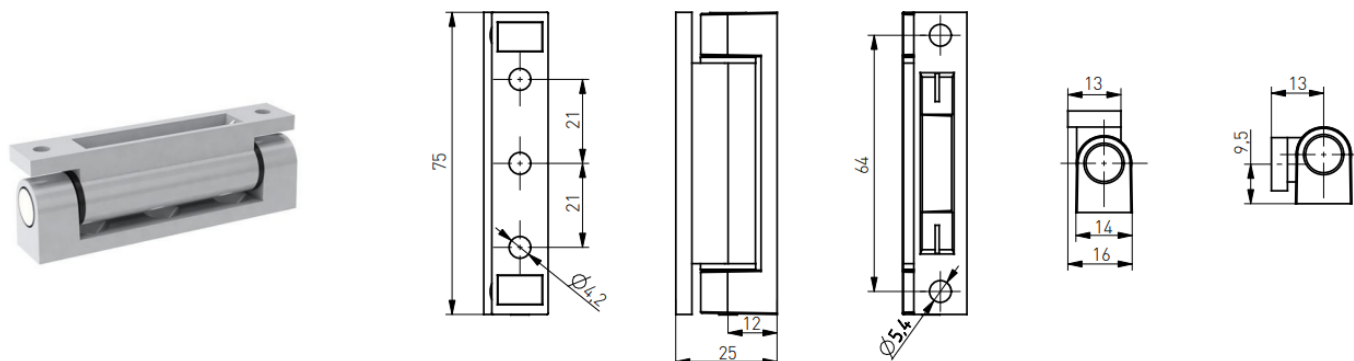


Catalogue not up to date?
Scan the QR or [click here](#)
to view the latest version

[Click to jump back to top](#)

Zamak Outward Opening Butt Hinge

Passive height adjustment due to asymmetrical construction, made of high quality alloy



Product Code	Description	Colour	Packaging Unit
40590164000	Window hinge	9016 white	130
405SILV4000	Window hinge	silver	36
40580774000	Window hinge	8077 brown	80
4059005M4000	Window hinge	9005 matt black	36
40604044000	Window hinge jig	-	1



Catalogue not up to date?
Scan the QR or [click here](#)
to view the latest version

[Click to jump back to top](#)

Siegenia CS Sliding System

Sliding gears



702628



702611

Product code	Description	Length	FFH	P.U.
702611	Short Gear CS	300	440-1010	10
702628	Gear CS 100	1010	1010-1810	10

*Dimensions (mm)



Catalogue not up to date?
Scan the QR or [click here](#)
to view the latest version

[Click to jump back to top](#)

Siegenia CS Sliding System

Extensions



Product code	Description	Length	FFH	P.U.
PGZD0020-100010	Top Extension	500	1811-2300	10
PGZD0050-100020	Bottom Extension	500	1801-2300	50

*Dimensions (mm)

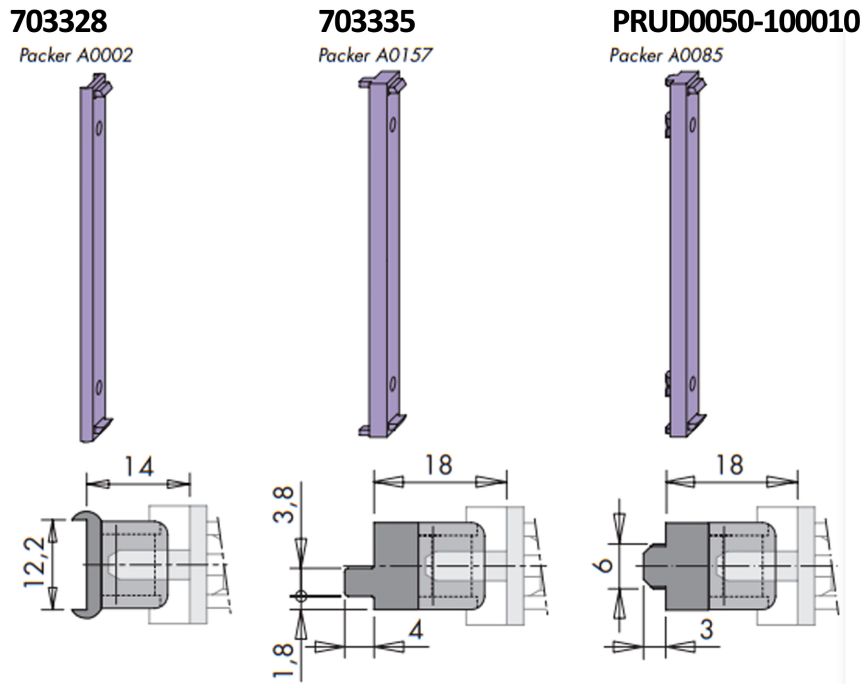


Catalogue not up to date?
Scan the QR or [click here](#)
to view the latest version

[Click to jump back to top](#)

Siegenia CS Sliding System

Sliding Distance pieces



Product Code	Description	Profile	P.U.
703328	Distance piece	Rehau	100
703335	Distance piece	Kommerling c70	100
PRUD0050-100010	Distance piece	Deceuninck Zendow	100



Catalogue not up to date?
Scan the QR or [click here](#)
to view the latest version

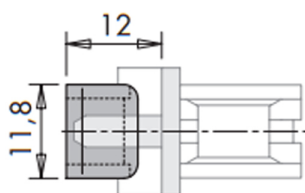
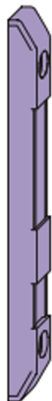
[Click to jump back to top](#)

Siegenia CS Sliding System

Sliding Strikers

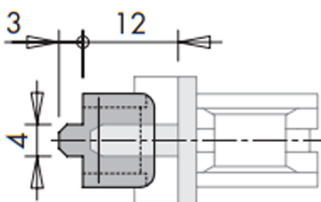
702987

Standard striker



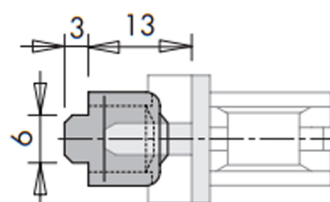
702994

Striker A0010



703007

Striker A01 16



Product Code	Description	Profile	P.U.
702987	Striker plate	Aluplast&Kom.C70&Rehau&Dec.Zendow/Timber	100
702994	Striker plate	Kommerling C70	100
703007	Striker plate	Veka	100

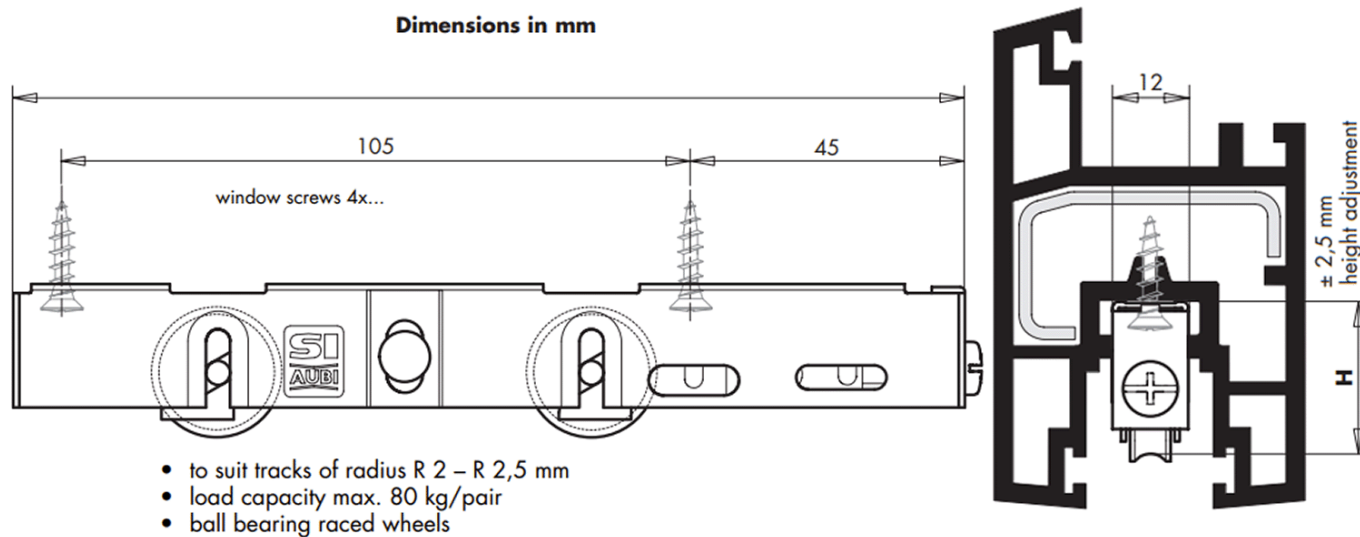


Catalogue not up to date?
Scan the QR or [click here](#)
to view the latest version

[Click to jump back to top](#)

Siegenia CS80 Bogie

Ball bearing wheels to suit tracks of radius R2 - R2.5mm, load capacity maximum 80kg per pair.



Product code	Description	Dim. H (in mm)	Material	Packaging Unit
PLWD0010-000010	Bogie CS 80kg	21	stainless steel	10
PLWD0040-000010	Bogie CS 80kg	24	stainless steel	10
PLWD0080-000010	Bogie CS 80kg	17	stainless steel	10

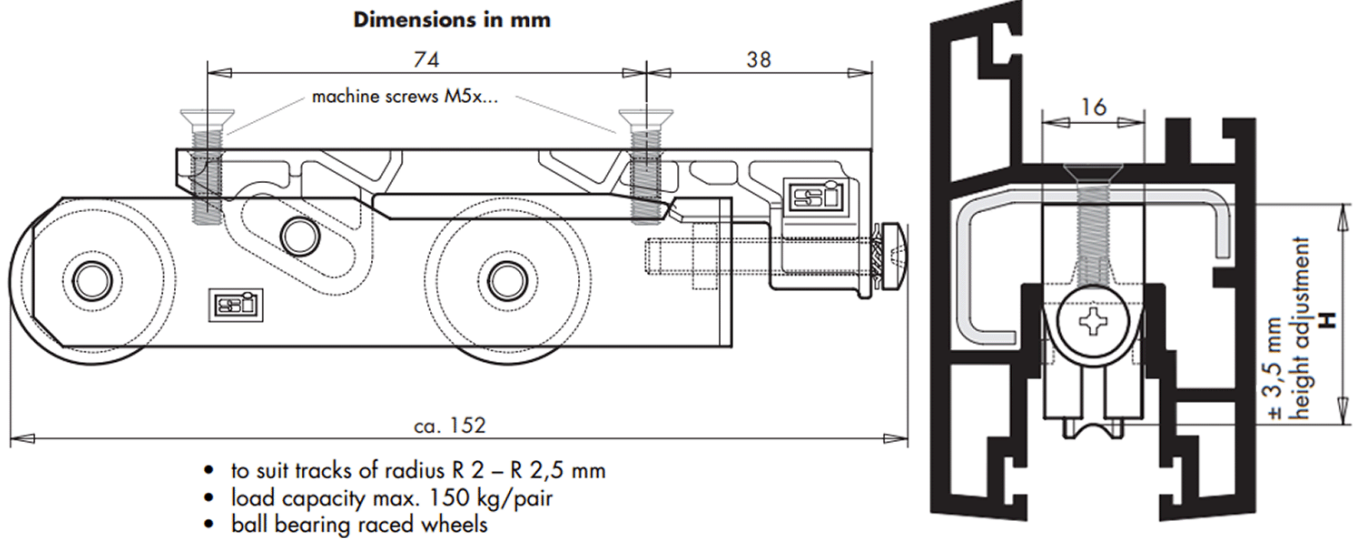


Catalogue not up to date?
Scan the QR or [click here](#)
to view the latest version

[Click to jump back to top](#)

Siegenia 150 Bogie

Ball bearing wheels to suit tracks of radius R2 - R2.5mm, load capacity maximum 150kg per pair.



Product code	Description	Dim. H (in mm)	Material	Packaging Unit
828298	Bogie CS 150kg	44	stainless steel	20
828304	Bogie CS 150kg	37	stainless steel	20



Catalogue not up to date?
Scan the QR or [click here](#)
to view the latest version

[Click to jump back to top](#)

Stainless steel patio Roller

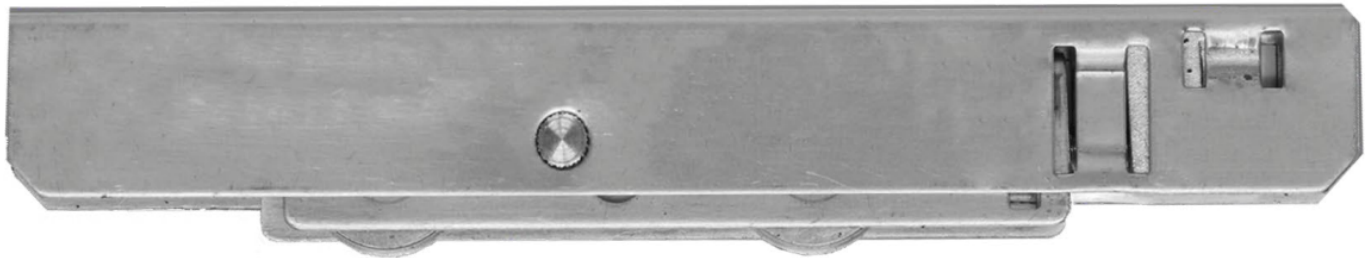
Eurogroove fit, suitable for timber, uPVC and aluminium

Technical details and features:

Up to **8mm** adjustment

Tested to 50'000 cycles

weight rating of 80kg per **2 roller assembly**



Product code	Material	Packaging Unit
TH-WE57792212.5/S	stainless steel	1



Catalogue not up to date?
Scan the QR or [click here](#)
to view the latest version

[Click to jump back to top](#)

Patio Stop



Product Code	Description	Colour	Box Qty
DS038-SIL	Stop for patio sliding doors	Silver	10
DS038-WHT	Stop for patio sliding doors	White	10
DS038-BLK	Stop for patio sliding doors	Black	10



Catalogue not up to date?
Scan the QR or [click here](#)
to view the latest version

[Click to jump back to top](#)

Sliding Gear

Sliding gear with BS7.5mm - SS304



Part Code	Description	Length	Cams	Finish	Backset	Packaging Unit
KESPG-SL-BS7.5-L280-C-SS304	Gear BS7.5 280mm 2 Cams - SS304	280	2	Silver	7.5	25
KESPG-SL-BS7.5-L400-C-SS304	Gear BS7.5 400mm 2 Cams - SS304	400	2	Silver	7.5	25
KESPG-SL-BS7.5-L600-C-SS304	Gear BS7.5 600mm 2 Cams - SS304	600	2	Silver	7.5	25
KESPG-SL-BS7.5-L800-C-SS304	Gear BS7.5 800mm 2 Cams - SS304	800	2	Silver	7.5	25
KESPG-SL-BS7.5-L1000-C-SS304	Gear BS7.5 1000mm 3 Cams - SS304	1000	3	Silver	7.5	25
KESPG-SL-BS7.5-L1200-C-SS304	Gear BS7.5 1200mm 3 Cams - SS304	1200	3	Silver	7.5	25



Catalogue not up to date?
Scan the QR or [click here](#)
to view the latest version

[Click to jump back to top](#)

Sliding Gear

Sliding gear with BS15mm - Lockable - SS304



Part Code	Description	Length	Cams	Finish	Backset	Packaging Unit
KESPG-SL-BS15-K168-L1800-C-SS	Gear BS15 PZ 1800mm 4 Cams - Lockable - SS304	1800	4	Silver	15	25



Catalogue not up to date?
Scan the QR or [click here](#)
to view the latest version

[Click to jump back to top](#)

Sliding Striker

Sliding striker with 2mm packer - SS304



Part Code	Description	Packaging Unit
KELMISC00060	Sheet metal striker with 2mm packer - SS304	100



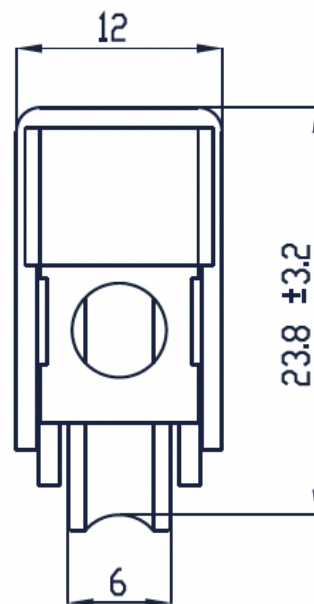
Catalogue not up to date?
Scan the QR or [click here](#)
to view the latest version

[Click to jump back to top](#)

Sliding Rollers

Sliding adjustable tandem roller - Nylon Rollers - 100 Kg - SS304

This item comes in pairs.



Part Code	Description	Load Capacity	Packaging Unit
KRO-12SP	Adjustable tandem roller with nylon rollers - SS304	100 kg / Pair	100

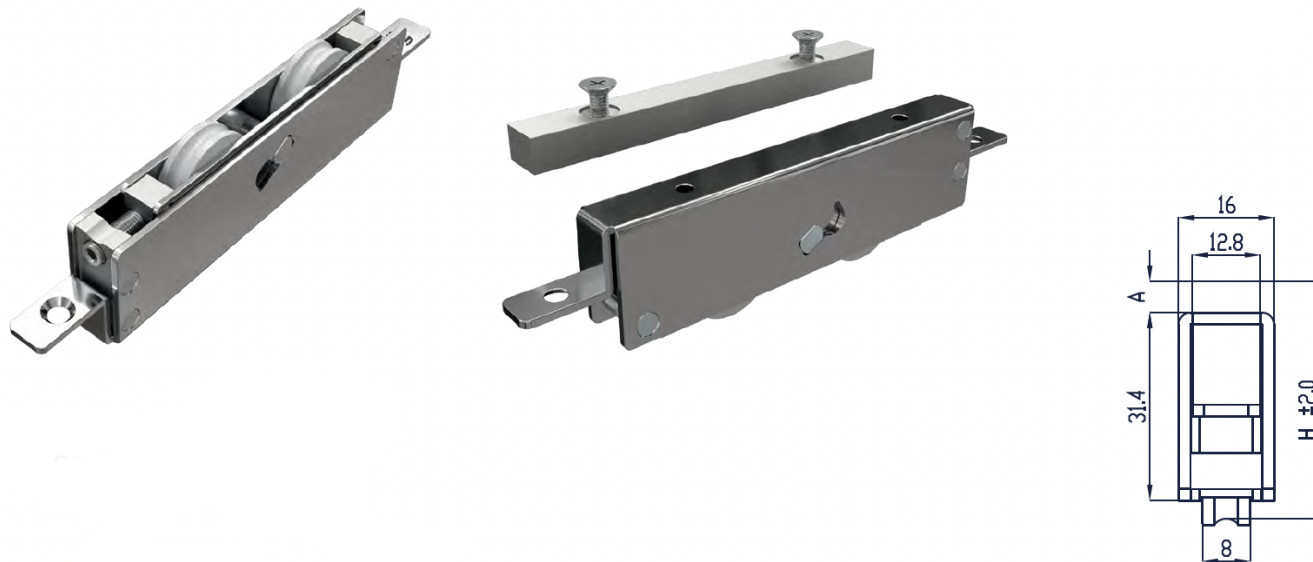


Catalogue not up to date?
Scan the QR or [click here](#)
to view the latest version

[Click to jump back to top](#)

Sliding Rollers

Sliding adjustable heavy duty tandem roller - Nylon Rollers - 200 Kg - SS304



Part Code	Description	Load Capacity	Packaging Unit
KRO-32	Heavy duty adjustable tandem roller with nylon rollers - SS304	200 Kg / Pair	50
KRO-32-SP8	Heavy duty adjustable tandem roller with nylon rollers with 8mm packer - SS304	200 Kg / Pair	50



Catalogue not up to date?
Scan the QR or [click here](#)
to view the latest version

[Click to jump back to top](#)

Siegware Generic Sash Lock

Suitable for Tilt & Turn, Tilt Only and Casement opening types.



Product Code	Description	Colour	Packaging Unit
SWSL_WHT	Generic Sash Lock	White	1
SWSL_BLK	Generic Sash Lock	Black	1

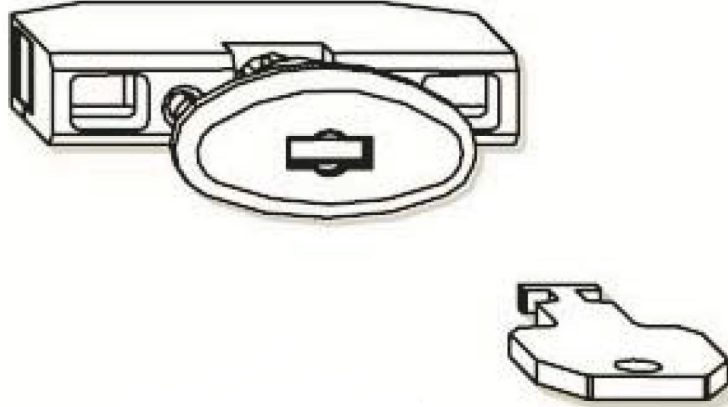


Catalogue not up to date?
Scan the QR or [click here](#)
to view the latest version

[Click to jump back to top](#)

Siegenia Concealed Turn Lock

Key operated lock used to restrict the window turn position.



Product Code	Description	Colour	Packaging Unit
ZMDS0010-0F6010	Turn lock concealed	Grey	50
ZMDS0020-0F6050	Turn lock concealed	Silver	50
ZMDS0060-004050	Turn lock concealed	White	50
ZSDS0010-100010	Key DSV TS PC1	Titan Silver	1

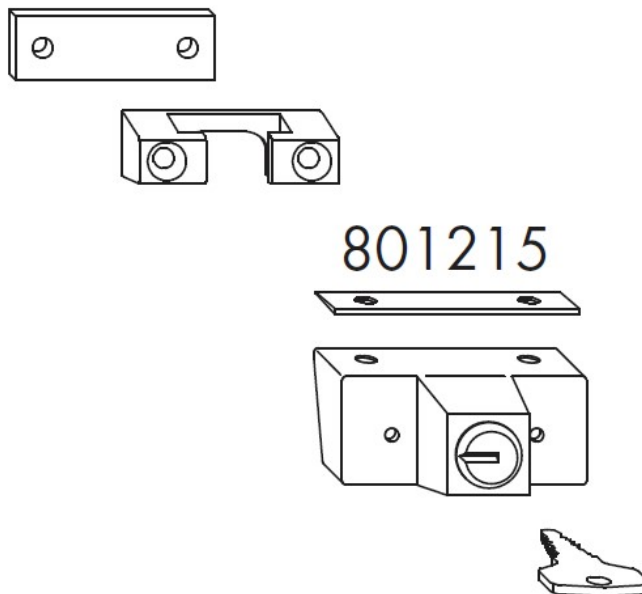


Catalogue not up to date?
Scan the QR or [click here](#)
to view the latest version

[Click to jump back to top](#)

Siegenia Surface Mount Turn Lock

Key operated lock used to restrict window turn position.



Product Code	Description	Surface Finish	Colour	Packaging Unit
880906	Turn lock key 145	neutral	White	50
ZMDS0040-012010	Turn lock key 145	neutral	Black Brown	50
ZMDS0050-100010	Turn lock key 145	Titan Silver	Titan Silver	50

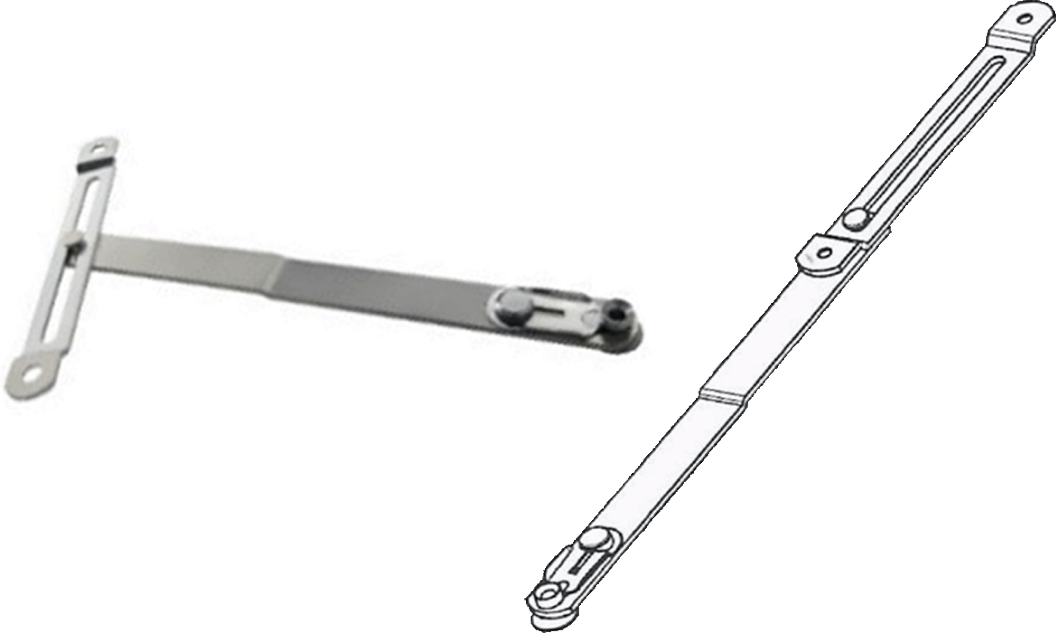


Catalogue not up to date?
Scan the QR or [click here](#)
to view the latest version

[Click to jump back to top](#)

Tilt Restrictor

Medos tilt restrictor



Product Code	Main Arm Length	Packaging Unit
50210000203	172mm	1

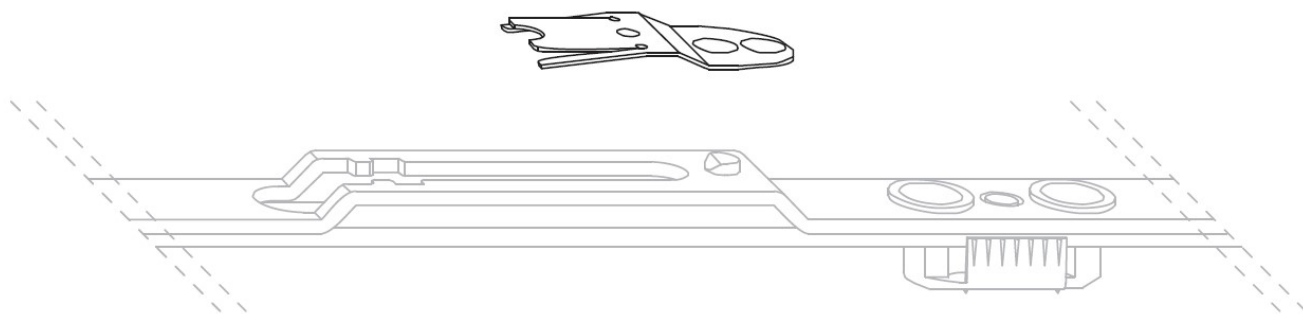


Catalogue not up to date?
Scan the QR or [click here](#)
to view the latest version

[Click to jump back to top](#)

Siegenia Tilt Restrictor

Restricts scissor stay to 100mm.



Product Code	Description	Hardware system	Colour	Packaging Unit
TFKB0010-100011	Tilt restrictor	TITAN AF	Titan Silver	500

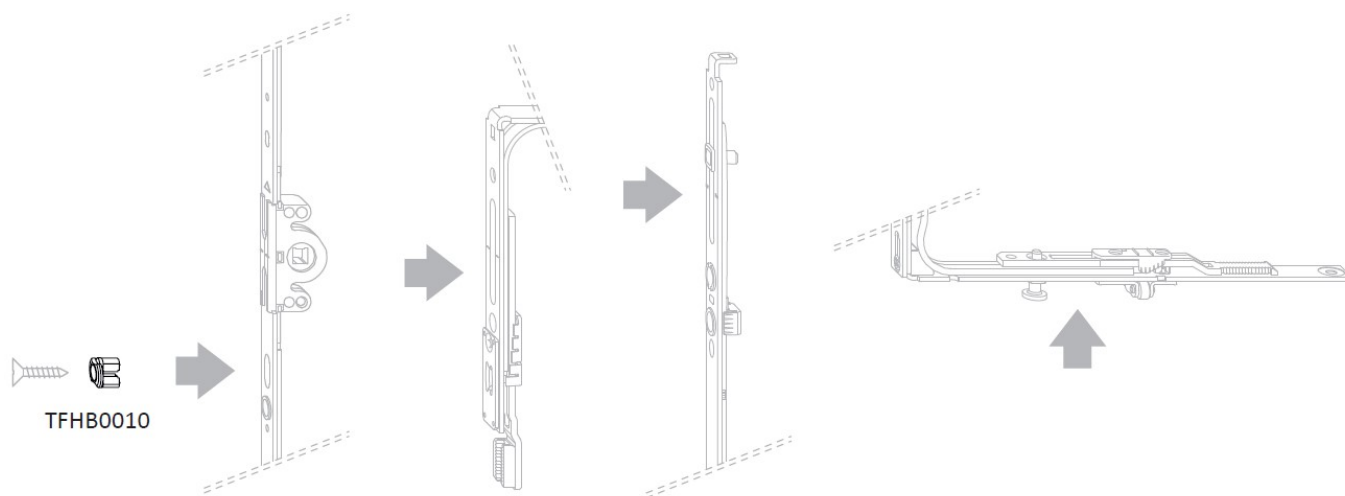


Catalogue not up to date?
Scan the QR or [click here](#)
to view the latest version

[Click to jump back to top](#)

Siegenia Travel Restrictor

Restricts gear travel to 90°.



Product Code	Description	Surface Finish	Packaging Unit
TFHB0010-099010	Travel restrictor	Titan Silver	100
TFHB0020-099010	Travel restrictor clampable	Titan Silver	100

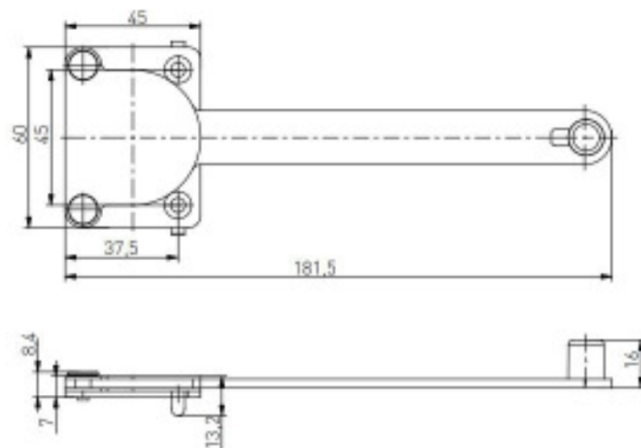


Catalogue not up to date?
Scan the QR or [click here](#)
to view the latest version

[Click to jump back to top](#)

Medos Magnetic Blockade

Magnetic blockade for PVC windows and balcony doors



Product Code	Description	Packaging Unit
WIN000160H	Magnetic blockade	1



Catalogue not up to date?
Scan the QR or [click here](#)
to view the latest version

[Click to jump back to top](#)

Kelegent outward opening restrictor

Detachable restrictor with key - SS304

**COMING
SOON**

Part Code	Description	Packaging Unit
KELMISC00059	Detachable restrictor with key - SS304	50

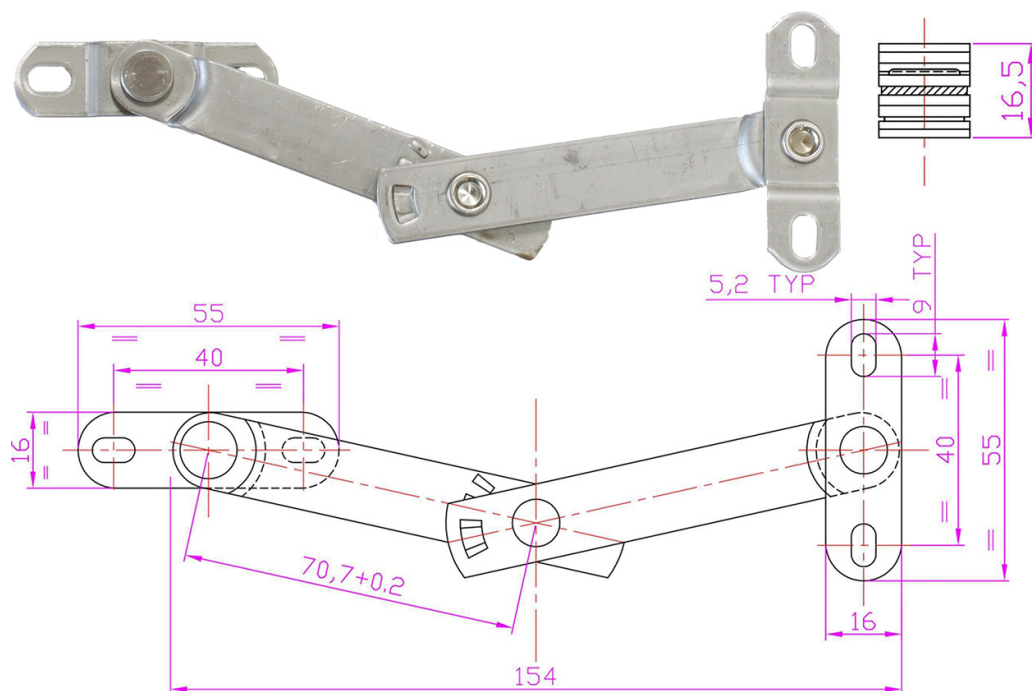


Catalogue not up to date?
Scan the QR or [click here](#)
to view the latest version

[Click to jump back to top](#)

Cotswold outward opening restrictor

Non locking stainless steel restrictor. Non-handed. 16mm groove.



Product Code	Packaging Unit
PR154 304	1

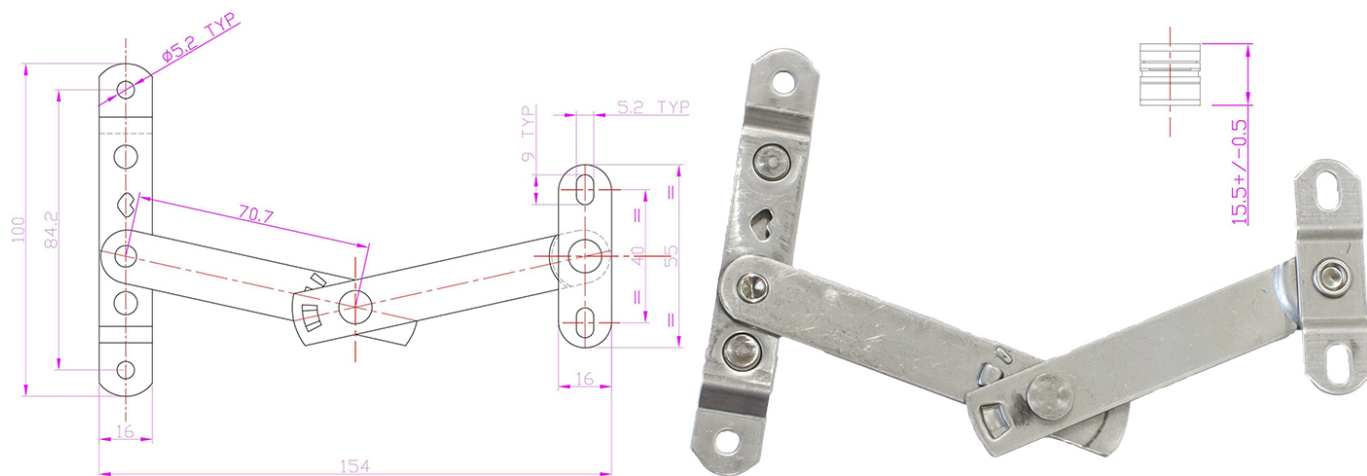


Catalogue not up to date?
Scan the QR or [click here](#)
to view the latest version

[Click to jump back to top](#)

Cotswold outward opening restrictor - Lockable

Lockable stainless steel restrictor. Non-handed. 16mm groove.



Product Code	Description	Packaging Unit
PR154LK 304	Restrictor	1
SDR KEY	SDR Key for the Restrictor	1

*SDR key is NOT included. To be purchased separately if needed.



Catalogue not up to date?
Scan the QR or [click here](#)
to view the latest version

[Click to jump back to top](#)

Cotswold Friction Arm

Fixed arm for permanent restriction



Product Code	Description	size (inch)	Stack height	Packaging Unit
FA0613	Friction arm	6"	13mm	100
FA1013	Friction arm	10"	13mm	100

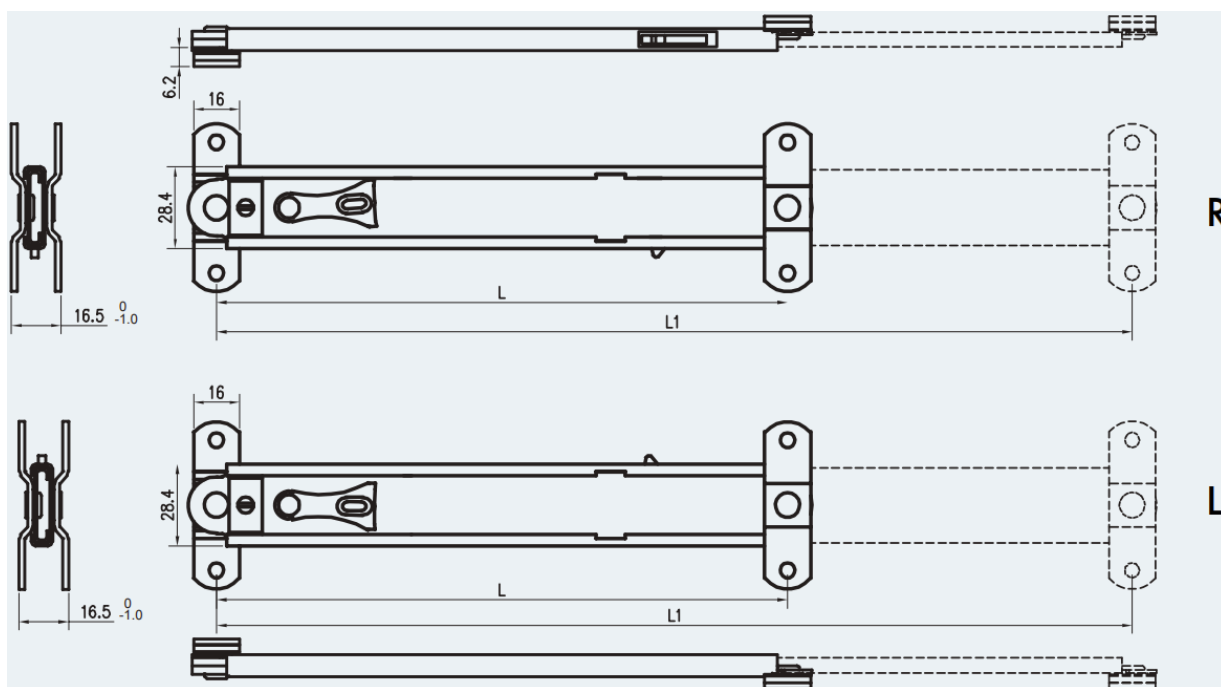


Catalogue not up to date?
Scan the QR or [click here](#)
to view the latest version

[Click to jump back to top](#)

Siegenia CASA Telescopic Arm Stays

Comes in Left and Right pairs



Product Code	Description	Size (inch)	Contraction Length (mm)	Extension Length (mm)	Packaging Unit
CASA8000-000050	Stop Stays Pair	6"	154.5	203.5	1
CASA8010-000050	Stop Stays Pair	8"	203.5	301.5	1
CASA8020-000050	Stop Stays Pair	10"	254.5	403.5	1



Catalogue not up to date?
Scan the QR or [click here](#)
to view the latest version

[Click to jump back to top](#)

Cotswold Telescopic Arm



Product Code	Description	Size (inch)	Stack height (mm)	Packaging Unit
TEL1416K	5 locking positions	14"	16	25

*Comes as a pair

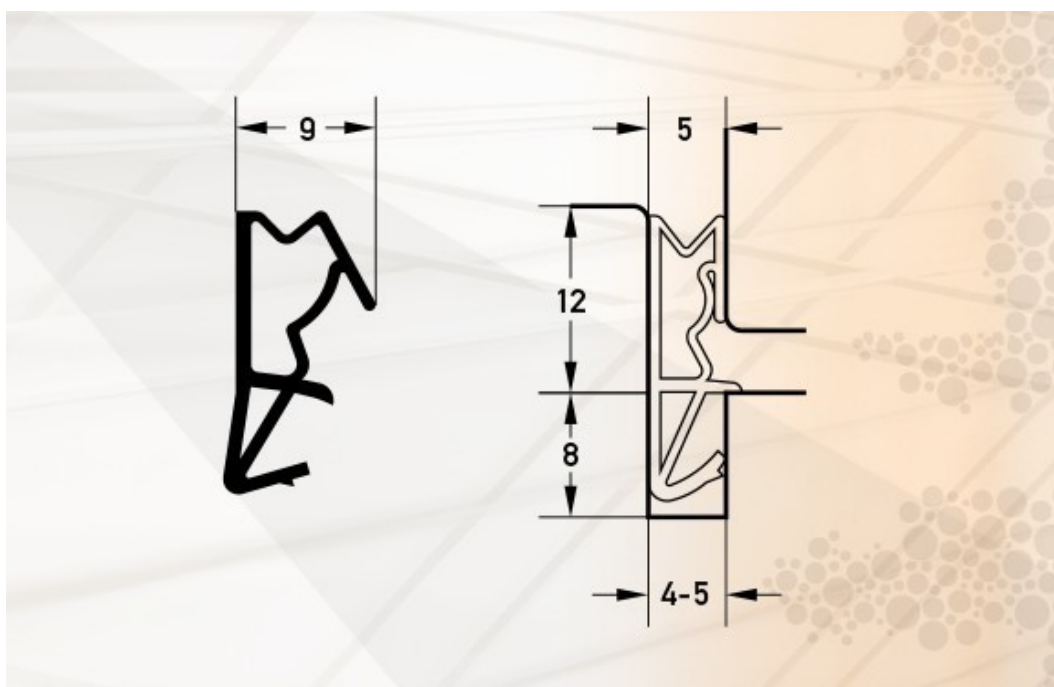


Catalogue not up to date?
Scan the QR or [click here](#)
to view the latest version

[Click to jump back to top](#)

Deventer 6512A Black Seal

Window sash rebate seal



Product Code	Description	Length	Packaging Unit
798549	S 6512A Black Seal	180m	1
203014	S 6512A Black Seal	150m	1

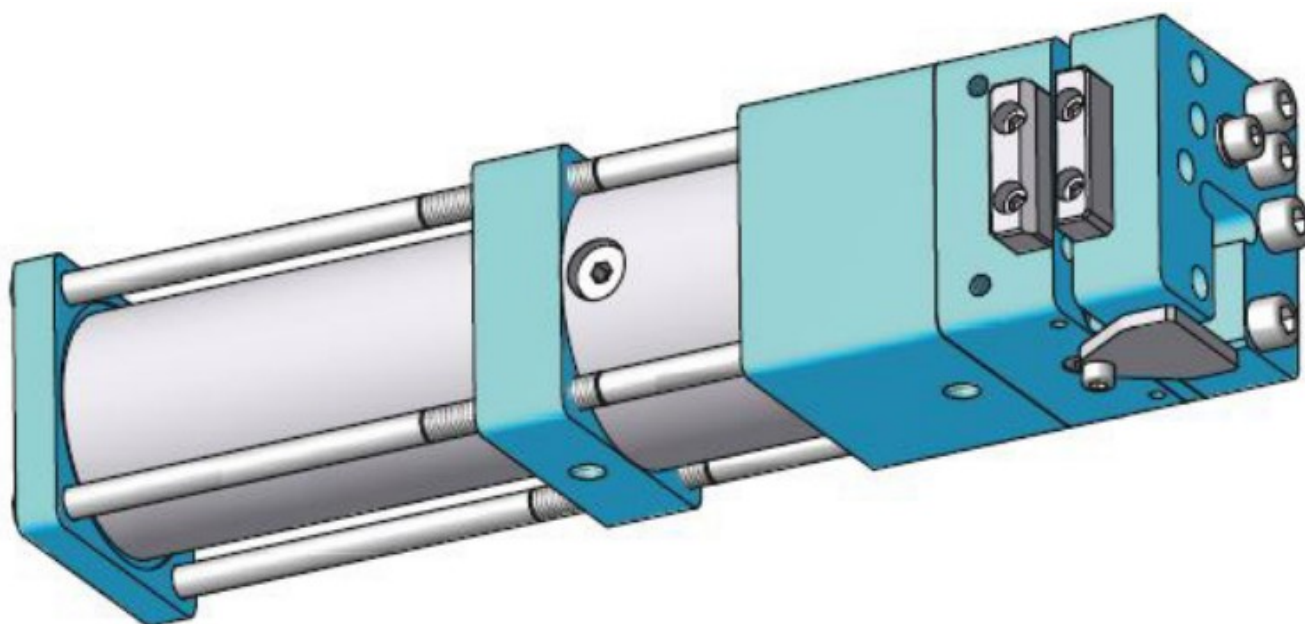


Catalogue not up to date?
Scan the QR or [click here](#)
to view the latest version

[Click to jump back to top](#)

Siegenia Hardware Cropper

The punching machine is used to shorten fittings that can be cut to length.



Product Code	Description	Side	Packaging Unit
ZAAV0241-000011	Hardware cropper	right	1
ZAAV0242-000011	Hardware cropper	left	1
ZAAV0231-000011	Slider R AF	right	1
ZAAV0232-000011	Slider L AF	left	1
ZAAV0151-000011	Slide rail	right	1
ZAAV0152-000011	Slide rail	left	1
158487	Base frame mill finish	right or left	1

**Note: Only hardware cropper shown

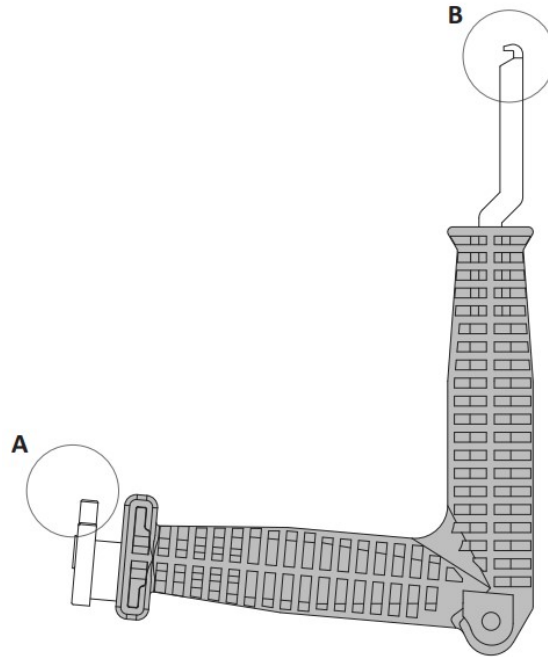


Catalogue not up to date?
Scan the QR or [click here](#)
to view the latest version

[Click to jump back to top](#)

Siegenia Window Assembly Key

To enable easy removal of the top hinge pin and operate the window spindle



Product Code	Description	Colour	Packaging Unit
ZAEW0030-023011	Window assembly key	RAL 9005 Black	1
ZAEW0070-100010	Window assembly key	Silver	

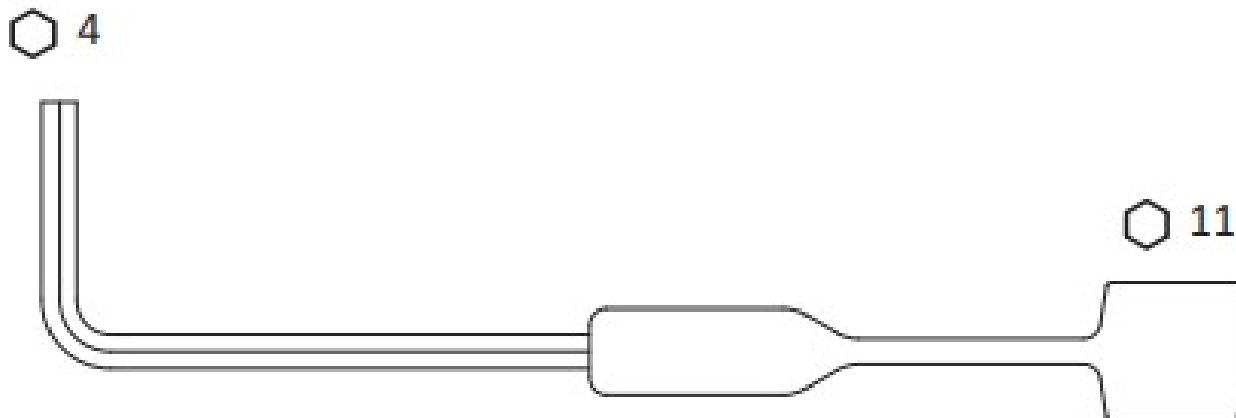


Catalogue not up to date?
Scan the QR or [click here](#)
to view the latest version

[Click to jump back to top](#)

Siegenia Spanner Allen Key

For adjusting roller and mushroom cam compression.



Product Code	Description	Packaging Unit
157756	Spanner allen key	1

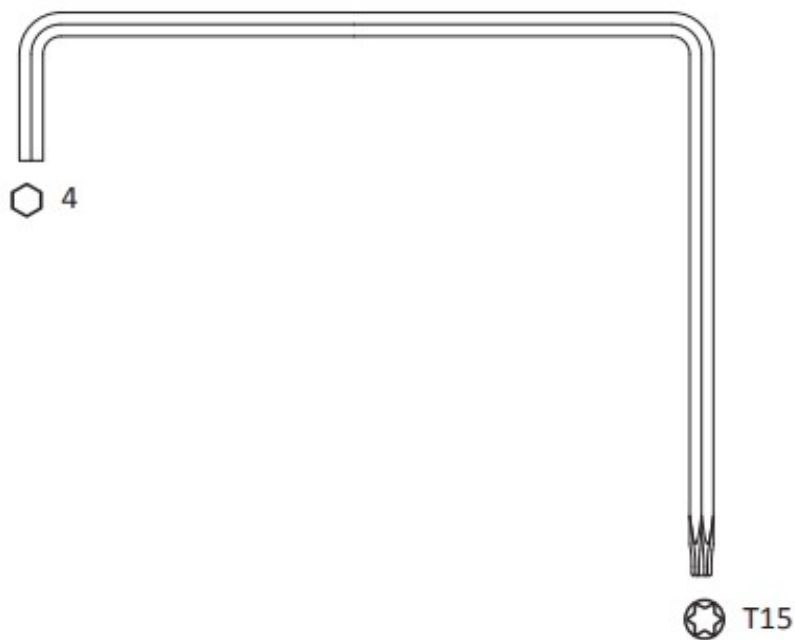


Catalogue not up to date?
Scan the QR or [click here](#)
to view the latest version

[Click to jump back to top](#)

Siegenia 4mm Hex Service Tool

For aligning adjustable hardware components.



Product Code	Description	Packaging Unit
ZAEW0060-100010	Hex service tool	1

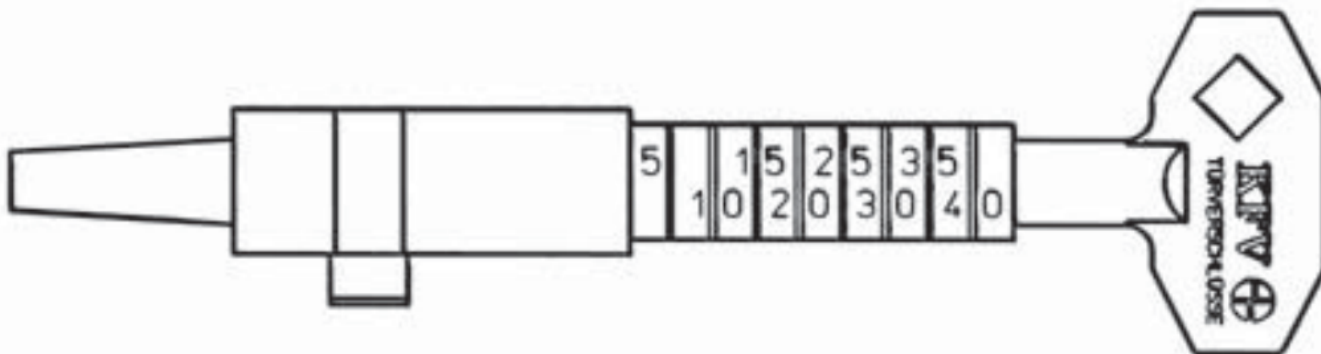


Catalogue not up to date?
Scan the QR or [click here](#)
to view the latest version

[Click to jump back to top](#)

KfV Door Assembly Key

Operates spindle and cylinder function on locks; measurement guide for determining cylinder size.



Product Code	Description	Colour	Packaging Unit
3232291	Door assembly key	blue	1



Catalogue not up to date?
Scan the QR or [click here](#)
to view the latest version

[Click to jump back to top](#)

Maco Multifunctional Key

Multifunction key for window assembly.

Areas of application:

- As a window handle during the construction phase
- Remove the scissor stay bearing pin
- TX 15 adjustment key
- Allen key
- Adjustment key



Product Code	Packaging Unit
206417	1



Catalogue not up to date?
Scan the QR or [click here](#)
to view the latest version

[Click to jump back to top](#)

Window Hardware Catalogue

*53 Haddon Drive
PO Box 27
Ballan VIC 3342
Australia*

*+61 03 5368 1181
info@siegware.com.au
www.siegware.com.au
www.siegware.co.nz*