

SIEGWARE
Architectural Innovations



Screws & Fasteners Catalogue

Issue: 1/5/2026

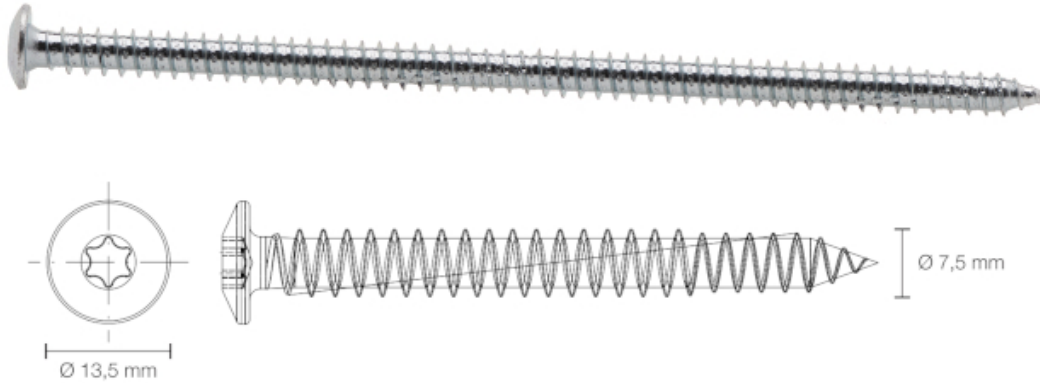
*Click on any of the items below to jump to page

Screws & Fasteners 2

- Installation Screws 2
 - Pan Head 2
 - Bullet Head 3
 - Countersunk 5
- Construction Screws 7
 - Beam Screws 7
 - Wood Screws 9
- Self Tapping Screws 14
- Self Drilling Screws 16
- Hardware Screws 23
 - Countersunk 25
 - Pan Head 26
- Machine Screws 28
- Cover Caps 29
- Driver Bits 31
- Threaded Inserts 33

blaugelb Pan Head Installation Screws

A universal fastener for the dowelless, efficient assembly of components made of timber, uPVC, aluminum and timber/aluminum in various substrates (concrete, sand-lime brick, solid brick, timber, lightweight concrete, aerated concrete, high-hole brick).



Product Code	Description	Driver	Thickness (mm)	Head (mm)	Box Quantity
0422314	Window installation screws	TX30	7.5 x 62	13.5	100
0422319	Window installation screws	TX30	7.5 x 82	13.5	100
0422321	Window installation screws	TX30	7.5 x 102	13.5	100
0422325	Window installation screws	TX30	7.5 x 122	13.5	100
0422329	Window installation screws	TX30	7.5 x 152	13.5	100

*Note: Various driver bits are available. Please refer to drivers section at the end of this catalogue.

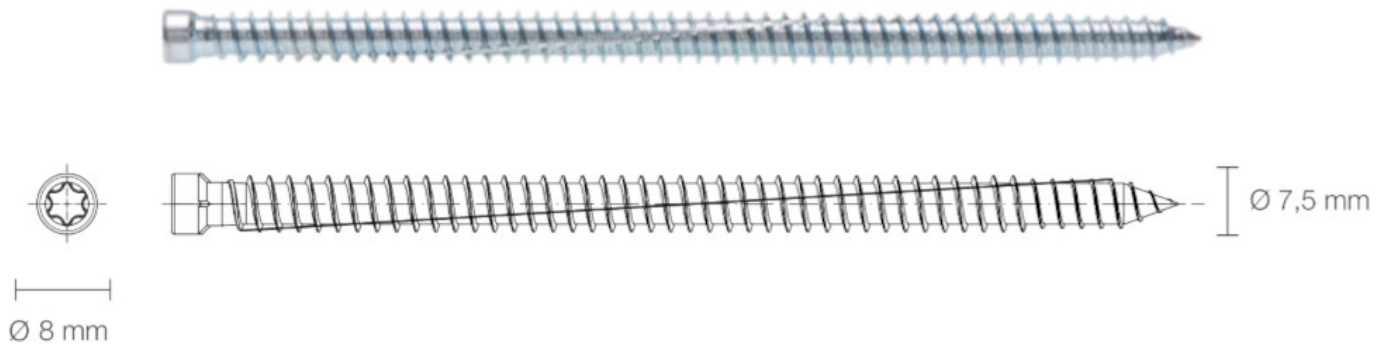


Catalogue not up to date?
Scan the QR or [click here](#)
to view the latest version

[Click to jump back to top](#)

blaugelb Bullet Head Installation Screws

Fully threaded bullet head frame screws for window installation



Product Code	Description	Driver	Size (mm)	Head (mm)	Box Quantity
0423709	Window installation screws	TX30	7.5 x 62	8	100
0423711	Window installation screws	TX30	7.5 x 82	8	100
0423713	Window installation screws	TX30	7.5 x 102	8	100
0423715	Window installation screws	TX30	7.5 x 122	8	100
0423717	Window installation screws	TX30	7.5 x 152	8	100
0423719	Window installation screws	TX30	7.5 x 212	8	100

*Note: Various driver bits are available. Please refer to drivers section at the end of this catalogue.



Catalogue not up to date?
Scan the QR or [click here](#)
to view the latest version

[Click to jump back to top](#)

Parco® Bullet Head Installation Screw



Product Code	Description	Size (mm)	Box Quantity
604175U42	Window Frame Screw	7.5 x 42	100
604175U62	Window Frame Screw	7.5 x 62	100
604175U82	Window Frame Screw	7.5 x 82	100
604175U100	Window Frame Screw	7.5 x 100	100
604175U120	Window Frame Screw	7.5 x 120	100



Catalogue not up to date?
Scan the QR or [click here](#)
to view the latest version

[Click to jump back to top](#)

Parco Window Installation Screws - Countersunk Head

Countersunk window installation screws.



Product Code	Description	Driver	Size (mm)	Head (mm)	Box Quantity
604175X42	Window installation screws	TX30	7.5 x 42	11.5	100
604175X62	Window installation screws	TX30	7.5 x 62	11.5	100
604175X82	Window installation screws	TX30	7.5 x 82	11.5	100
604175X100	Window installation screws	TX30	7.5 x 100	11.5	100
604175X120	Window installation screws	TX30	7.5 x 120	11.5	100
604175X152	Window installation screws	TX30	7.5 x 152	11.5	100
604175X182	Window installation screws	TX30	7.5 x 182	11.5	100

*Note: Various driver bits are available. Please refer to drivers section at the end of this catalogue.



Catalogue not up to date?
Scan the QR or [click here](#)
to view the latest version

[Click to jump back to top](#)

Fischer® Window Installation Screws - Countersunk Head

Countersunk window installation screws.



Product Code	Description	Driver	Size (mm)	Head (mm)	Box Quantity
532922	Window installation screws	TX30	7.5 x 42	11.5	100
532925	Window installation screws	TX30	7.5 x 62	11.5	100
532928	Window installation screws	TX30	7.5 x 82	11.5	100
532931	Window installation screws	TX30	7.5 x 102	11.5	100
532934	Window installation screws	TX30	7.5 x 122	11.5	100
532941	Window installation screws	TX30	7.5 x 152	11.5	100
532942	Window installation screws	TX30	7.2 x 182	11.5	100

*Note: Various driver bits are available. Please refer to drivers section at the end of this catalogue.

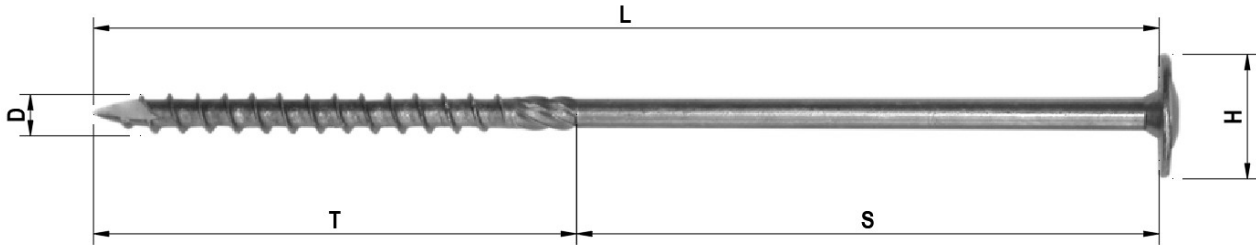


Catalogue not up to date?
Scan the QR or [click here](#)
to view the latest version

[Click to jump back to top](#)

Parco® Timber Beam Construction Screw

Beam construction screws. Wide variety of lengths. Optimised cutting tip, no washers required.



Product Code	Size (mm)	Head (mm)	Thread (mm)	Shank (mm)	Driver	Material	Box Quantity
116T6X50	6 x 50	15	30	10	TX30	Blue Galvanised Steel	100 pcs
116T6x70	6 x 70	15	50	20	TX30	Blue Galvanised Steel	100 pcs
116T6x100	6 x 100	15	70	30	TX30	Blue Galvanised Steel	100 pcs
116T6x120	6 x 120	15	90	30	TX30	Blue Galvanised Steel	100 pcs
116T6x160	6 x 160	15	90	70	TX30	Blue Galvanised Steel	100 pcs
116T6x200	6 x 200	15	90	110	TX30	Blue Galvanised Steel	100 pcs
116T6x260	6 x 260	15	90	170	TX30	Blue Galvanised Steel	100 pcs
116T6x300	6 x 300	15	90	210	TX30	Blue Galvanised Steel	100 pcs
116T8x100	8 x 100	15	70	30	TX40	Blue Galvanised Steel	50 pcs
116T8x120	8 x 120	15	90	30	TX40	Blue Galvanised Steel	50 pcs
116T8x160	8 x 160	15	90	70	TX40	Blue Galvanised Steel	50 pcs
116T8x200	8 x 200	15	90	110	TX40	Blue Galvanised Steel	50 pcs
116T8x260	8 x 260	15	90	170	TX40	Blue Galvanised Steel	50 pcs
116T8x300	8 x 300	15	90	210	TX40	Blue Galvanised Steel	50 pcs
116T8x360	8 x 360	15	90	270	TX40	Blue Galvanised Steel	50 pcs
116T8x400	8 x 400	15	90	310	TX40	Blue Galvanised Steel	50 pcs

*Note: Various driver bits are available. Please refer to drivers section at the end of this catalogue.

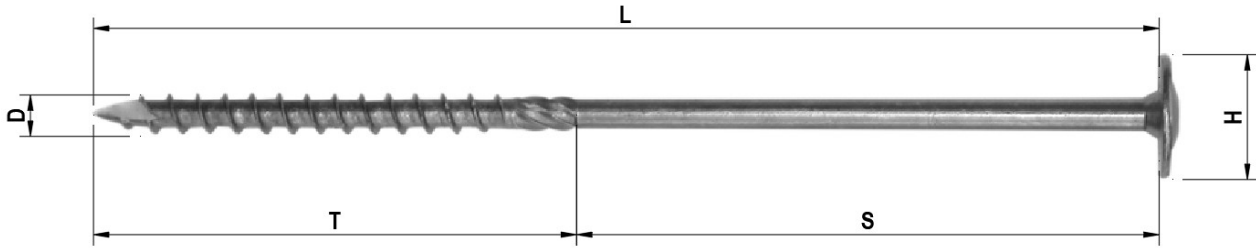


Catalogue not up to date?
Scan the QR or [click here](#)
to view the latest version

[Click to jump back to top](#)

Parco® Timber Beam Construction Screw (A2 STAINLESS)

Stainless steel beam construction screws. Wide variety of lengths. Optimised cutting tip, no washers required.



Product Code	Size (mm)	Head (mm)	Thread (mm)	Shank (mm)	Driver	Material	Box Quantity
117TE6x50	6 x 50	15	30	20	TX25	Stainless Steel	100 pcs
117TE6x70	6 x 70	15	50	20	TX25	Stainless Steel	100 pcs
117TE6x100	6 x 100	15	70	30	TX25	Stainless Steel	100 pcs
117TE6x120	6 x 120	15	70	50	TX25	Stainless Steel	100 pcs
117TE6x160	6 x 160	15	70	90	TX25	Stainless Steel	100 pcs
117TE8X50	8 x 50	20	50	0	TX40	Stainless Steel	100 pcs
117TE8X100	8 x 100	20	80	20	TX40	Stainless Steel	100 pcs
117TE8X120	8 x 120	20	80	20	TX40	Stainless Steel	50 pcs
117TE8X160	8 x 160	20	80	80	TX40	Stainless Steel	50 pcs
117TE8X200	8 x 200	20	80	120	TX40	Stainless Steel	50 pcs
117TE8X300	8 x 300	20	80	220	TX40	Stainless Steel	50 pcs
117TE8X400	8 x 400	20	80	320	TX40	Stainless Steel	50 pcs

*Note: Various driver bits are available. Please refer to drivers section at the end of this catalogue.

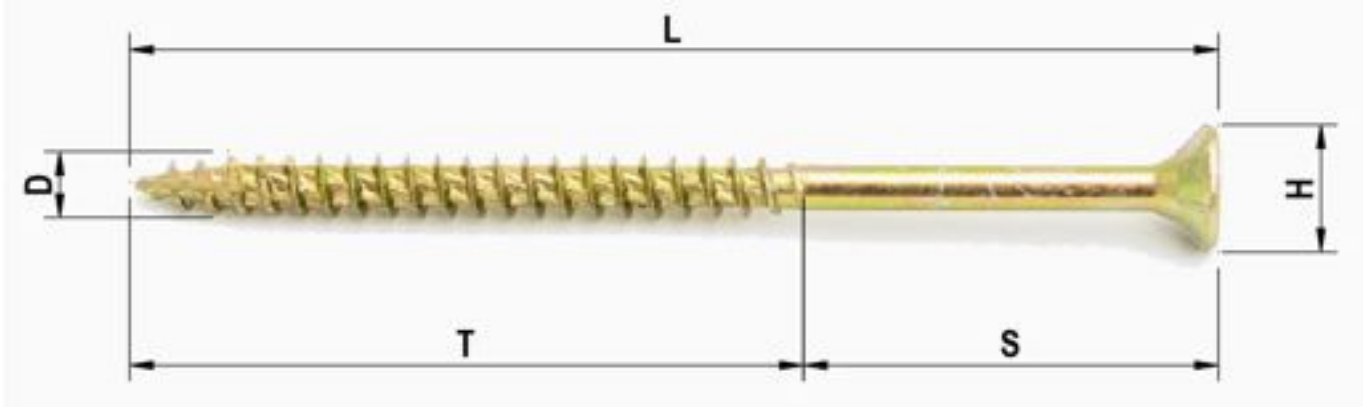


Catalogue not up to date?
Scan the QR or [click here](#)
to view the latest version

[Click to jump back to top](#)

Original JetFast® Timber Construction Screws - Yellow Galvanised

Double flat head screw featuring ribs under the head for clean, smooth sinking. Multi furrows on the shank offer a lower screw-in and screw-out torque, and a cutting end for deep, splinter proof drilling.



Product Code	Size (mm)	Thread (mm)	Shank (mm)	Driver	Material	Box Quantity
116045X40N	4.5 x 40	24	16	TX20	Yellow Galvanised Steel	500 pcs
116045X50N	4.5 x 50	30	20	TX20	Yellow Galvanised Steel	200 pcs
116045X60N	4.5 x 60	36	24	TX20	Yellow Galvanised Steel	200 pcs
116045X70N	4.5 x 70	42	28	TX20	Yellow Galvanised Steel	200 pcs
116045X80N	4.5 x 80	48	32	TX20	Yellow Galvanised Steel	200 pcs
11605X40N	4.5 x 40	24	16	TX20	Yellow Galvanised Steel	200 pcs
11605X50N	5 x 50	30	20	TX20	Yellow Galvanised Steel	200 pcs
11605X60N	5 x 60	36	24	TX20	Yellow Galvanised Steel	200 pcs
11605X70N	5 x 70	42	28	TX20	Yellow Galvanised Steel	100 pcs
11605X80N	5 x 80	48	32	TX20	Yellow Galvanised Steel	100 pcs
11605X90N	5 x 90	54	36	TX20	Yellow Galvanised Steel	100 pcs
11605X100N	5 x 100	60	40	TX20	Yellow Galvanised Steel	100 pcs
11606X50N	6 x 50	30	20	TX30	Yellow Galvanised Steel	200 pcs
11606X60N	6 x 60	35	25	TX30	Yellow Galvanised Steel	200 pcs
11606X70N	6 x 70	45	25	TX30	Yellow Galvanised Steel	200 pcs
11606X80N	6 x 80	50	30	TX30	Yellow Galvanised Steel	100 pcs
11606X90N	6 x 90	55	35	TX30	Yellow Galvanised Steel	100 pcs
11606X100N	6 x 100	60	40	TX30	Yellow Galvanised Steel	100 pcs
11606X120N	6 x 120	70	50	TX30	Yellow Galvanised Steel	100 pcs
11606X150N	6 x 150	70	80	TX30	Yellow Galvanised Steel	100 pcs
11606X180N	6 x 180	108	72	TX30	Yellow Galvanised Steel	100 pcs
11606X200N	6 x 200	120	80	TX30	Yellow Galvanised Steel	100 pcs

*Note: Various driver bits are available. Please refer to drivers section at the end of this catalogue.



Catalogue not up to date?
Scan the QR or [click here](#)
to view the latest version

[Click to jump back to top](#)

Original JetFast® Timber Construction Screws - Silverline

Double flat head screw featuring ribs under the head for clean, smooth sinking. Multi furrows on the shank offer a lower screw-in and screw-out torque, and a cutting end for deep, splinter proof drilling.



Product Code	Size (mm)	Thread (mm)	Shank (mm)	Driver	Material	Box Quantity
11504X30N	4 x 30	8	12	TX20	Silverline	1000
115045X60N	5 x 60	36	24	TX20	Silverline	200
115045X70N	4.5 x 70	42	28	TX20	Silverline	100
11505x70N	5 x 70	42	28	TX20	Silverline	100
11506X100N	6 x 100	60	40	TX30	Silverline	100
11506X120N	6 x 120	72	48	TX30	Silverline	100

*Note: Various driver bits are available. Please refer to drivers section at the end of this catalogue.



Catalogue not up to date?
Scan the QR or [click here](#)
to view the latest version

[Click to jump back to top](#)

blaugelb Stainless Steel Universal Wood Screw

Stainless steel (A2) universal wood screw. Sliding coating for effortless driving. Mill ribs at tip.



Product Code	Size (mm)	Driver	Material	Box Quantity
0271509	5 x 100	T25	Stainless Steel	200
0271493	5 x 40	T25	Stainless Steel	200
0271504	5 x 70	T25	Stainless Steel	200

*Note: Various driver bits are available. Please refer to drivers section at the end of this catalogue.

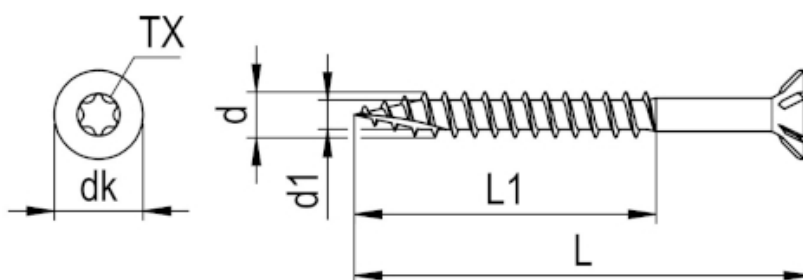


Catalogue not up to date?
Scan the QR or [click here](#)
to view the latest version

[Click to jump back to top](#)

blaugelb Universal Wood Screw

Universal wood screw. Sliding coating for effortless driving. Mill ribs at tip.



Product Code	Size (mm)	Head (mm)	Material	Box Quantity
0203844	6 x 100	T30	Galvanised	100
0203850	6 x 140	T30	Galvanised	100
0203840	6 x 60	T30	Galvanised	200
0203841	6 x 70	T30	Galvanised	200

*Note: Various driver bits are available. Please refer to drivers section at the end of this catalogue.

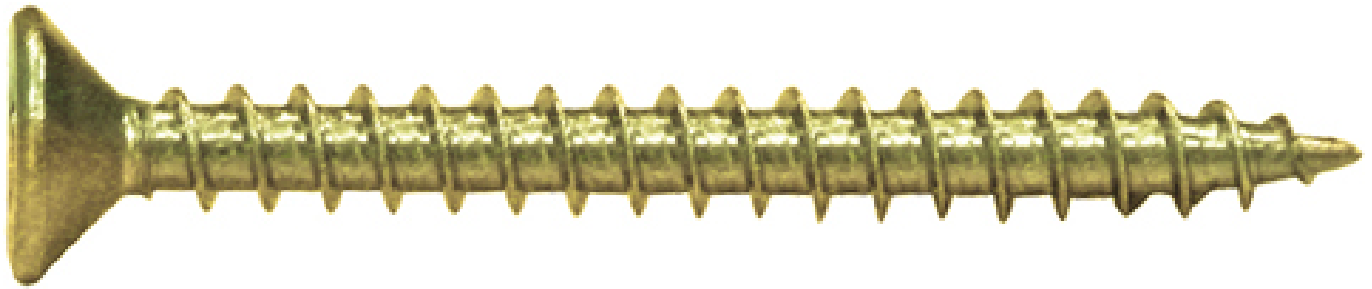


Catalogue not up to date?
Scan the QR or [click here](#)
to view the latest version

[Click to jump back to top](#)

Parco® Span Fast Chipboard Screws

Partially threaded chipboard screws.



Product Code	Size (mm)	Driver	Material	Box Quantity
1094T40	4.0 x 40	TX20	Yellow Galvanised Steel	500
10945T50	4.5 x 50	TX25	Yellow Galvanised Steel	200
1095X70	5.0 x 70	TX25	Yellow Galvanised Steel	100
1096X100	6.0 x 100	TX30	Yellow Galvanised Steel	100

*Note: Various driver bits are available. Please refer to drivers section at the end of this catalogue.



Catalogue not up to date?
Scan the QR or [click here](#)
to view the latest version

[Click to jump back to top](#)

Self Tapping A2 Stainless Steel Screws

Self tapping screw with a 16mm washer.
Hex Driver



Product Code	Size (mm)	Driver	Material	Box Quantity
29563x115	6.3 x 115	Hex	A2 Stainless Steel	100



Catalogue not up to date?
Scan the QR or [click here](#)
to view the latest version

[Click to jump back to top](#)

Parco® Self Tapping Metal Screw

Self tapping metal screw with silverline zinc coating.



Product Code	Size (mm)	Head (mm)	Driver	Material	Box Quantity
17848X45	4.8 x 45	9.5	PH2	Silverline	500 pcs
17848X50	4.8 x 50	9.5	PH2	Silverline	500 pcs
17848X60	4.8 x 60	9.5	PH2	Silverline	250 pcs
17848X70	4.8 x 70	9.5	PH2	Silverline	250 pcs
17848X80	4.8 x 80	9.5	PH2	Silverline	250 pcs
17848X100	4.8 x 100	9.5	PH2	Silverline	250 pcs
17848X120	4.8 x 120	9.5	PH2	Silverline	250 pcs

*Note: Various driver bits are available. Please refer to drivers section at the end of this catalogue.



Catalogue not up to date?
Scan the QR or [click here](#)
to view the latest version

[Click to jump back to top](#)

EJOT Self Drilling Screw

Self tapping window construction screw with millribs for optimal use with window reinforcement.



Product Code	Size (mm)	Head (mm)	Driver	Material	Box Quantity
0312899	4.0 x 13	7.5	PH2	Steel	1000

*Note: Various driver bits are available. Please refer to drivers section at the end of this catalogue.

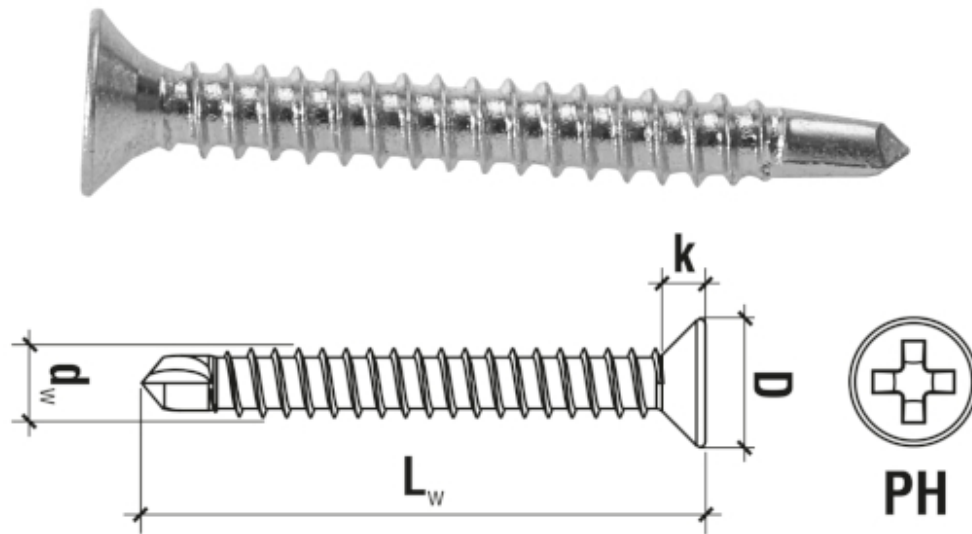


Catalogue not up to date?
Scan the QR or [click here](#)
to view the latest version

[Click to jump back to top](#)

blaugelb Self Drilling Screw

Self tapping window construction screw with millribs for optimal use with window reinforcement.



Product Code	Size (mm)	Head (mm)	Driver	Material	Box Quantity
9051274	3.9 x 16	7.5	PH2	Galvanised	1000 pcs
9051275	3.9 x 19	7.5	PH2	Galvanised	1000 pcs
9051276	3.9 x 25	7.5	PH2	Galvanised	1000 pcs
9051277	3.9 x 32	7.5	PH2	Galvanised	500 pcs
9051278	3.9 x 40	7.5	PH2	Galvanised	500 pcs

*Note: Various driver bits are available. Please refer to drivers section at the end of this catalogue.



Catalogue not up to date?
Scan the QR or [click here](#)
to view the latest version

[Click to jump back to top](#)

E- NORMPRO Pan Head Sheet Metal Screw

Galvanised pan head sheet metal screw.



Product Code	Size (mm)	Head (mm)	DIN	Driver	Box Quantity
6606015780	4.8 x 25	9.5	798	PH2	100

*Note: Various driver bits are available. Please refer to drivers section at the end of this catalogue.

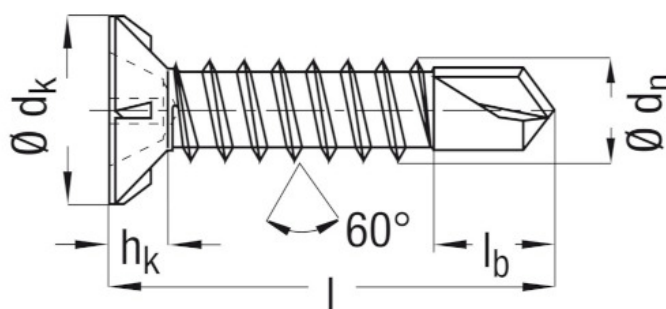
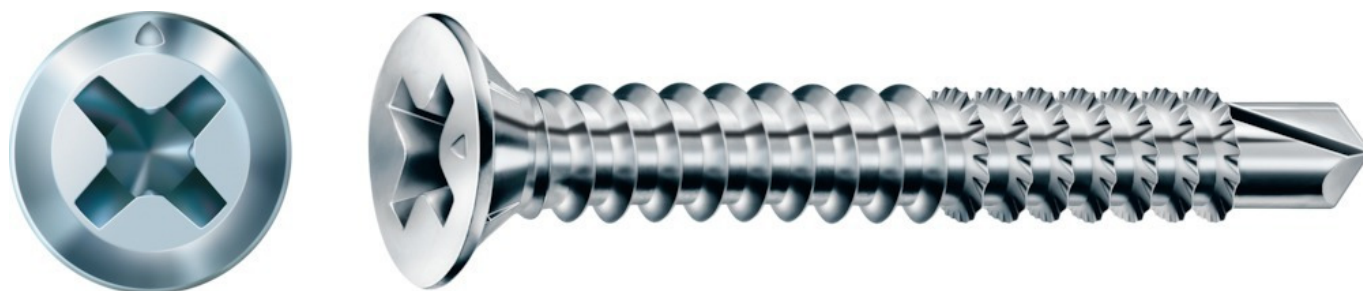


Catalogue not up to date?
Scan the QR or [click here](#)
to view the latest version

[Click to jump back to top](#)

Spax Self Drilling Screw

Spax FEX-A window construction screw suitable for anchoring steel reinforcement to uPVC profiles.



Product Code	Size (mm)	Head (mm)	Driver	Material	Coating	Box Quantity
1401470390165	3.9 x 16	7.5	PH2	Steel	Wirox	1000 pcs
1401470390195	3.9 x 19	7.5	PH2	Steel	Wirox	1000 pcs
1401470390255	3.9 x 25	7.5	PH2	Steel	Wirox	1000 pcs
1401470390325	3.9 x 32	7.5	PH2	Steel	Wirox	1000 pcs
1401470390385	3.9 x 38	7.5	PH2	Steel	Wirox	1000 pcs

*Note: Various driver bits are available. Please refer to drivers section at the end of this catalogue.



Catalogue not up to date?
Scan the QR or [click here](#)
to view the latest version

[Click to jump back to top](#)

Parco® Self Drilling Screw

Domed countersunk self-drilling screw



Product Code	Size (mm)	Box Quantity
1770NR39X13	3.9 x 13	2000



Catalogue not up to date?
Scan the QR or [click here](#)
to view the latest version

[Click to jump back to top](#)

Parco® Self Drilling Pan Screw



Product Code	Size (mm)	Box Quantity
17639X95	3.9 x 9.5	1000



Catalogue not up to date?
Scan the QR or [click here](#)
to view the latest version

[Click to jump back to top](#)

Parco® Black Self Drilling Screw



Product Code	Size (mm)	Box Quantity
177S39X25	3.9 x 25	1000
177S39X32	3.9 x 32	1000

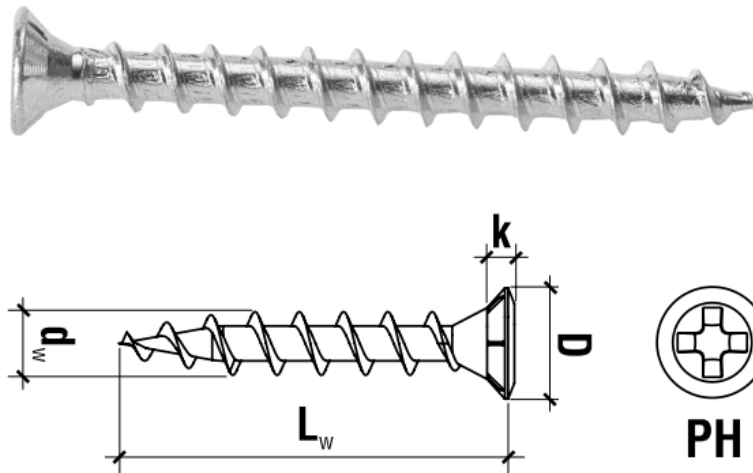


Catalogue not up to date?
Scan the QR or [click here](#)
to view the latest version

[Click to jump back to top](#)

blaugelb uPVC Hardware Screw

Needle point hardware fixing screw for optimal use in uPVC window construction



Product Code	Size (mm)	Head (mm)	Driver	Material	Box Quantity
9051255	4 x 16	7.3	PH2	Galvanised	1000 pcs
9051256	4 x 20	7.3	PH2	Galvanised	1000 pcs
9051257	4 x 25	7.3	PH2	Galvanised	1000 pcs
9051258	4 x 30	7.3	PH2	Galvanised	1000 pcs
9051259	4 x 35	7.3	PH2	Galvanised	500 pcs
9051260	4 x 40	7.3	PH2	Galvanised	500 pcs
9051261	4 x 45	7.3	PH2	Galvanised	500 pcs
9051262	4 x 50	7.3	PH2	Galvanised	500 pcs
9051263	4 x 55	7.3	PH2	Galvanised	500 pcs

*Note: Various driver bits are available. Please refer to drivers section at the end of this catalogue.



Catalogue not up to date?
Scan the QR or [click here](#)
to view the latest version

[Click to jump back to top](#)

Parco® Black Hardware Screws

Painted black head to match dark profiles.



Product Code	Size (mm)	Box Quantity
148S42X25	4.2 x 25	2000pcs
148S42X28	4.2 x 28	2000pcs
148S42X35	4.2 x 35	1000pcs



Catalogue not up to date?
Scan the QR or [click here](#)
to view the latest version

[Click to jump back to top](#)

Parco® Wafer Head Installation Screws



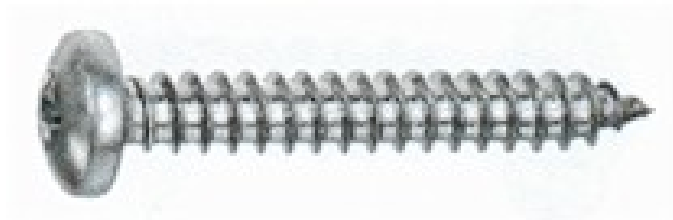
Product Code	Description	Size (mm)	Box Quantity
103R45X25	Window installation screws	4.5 x 25	500
103R4X25	Window installation screws	4 x 25	500
103R5X25	Window installation screws	5 x 25	100



Catalogue not up to date?
Scan the QR or [click here](#)
to view the latest version

[Click to jump back to top](#)

Parco® Pan Head Installation Screws



Product Code	Description	Size (mm)	Box Quantity
15448X16	Window installation screws	4.8 x 16	500pcs
15448X25	Window installation screws	4.8 x 25	500pcs

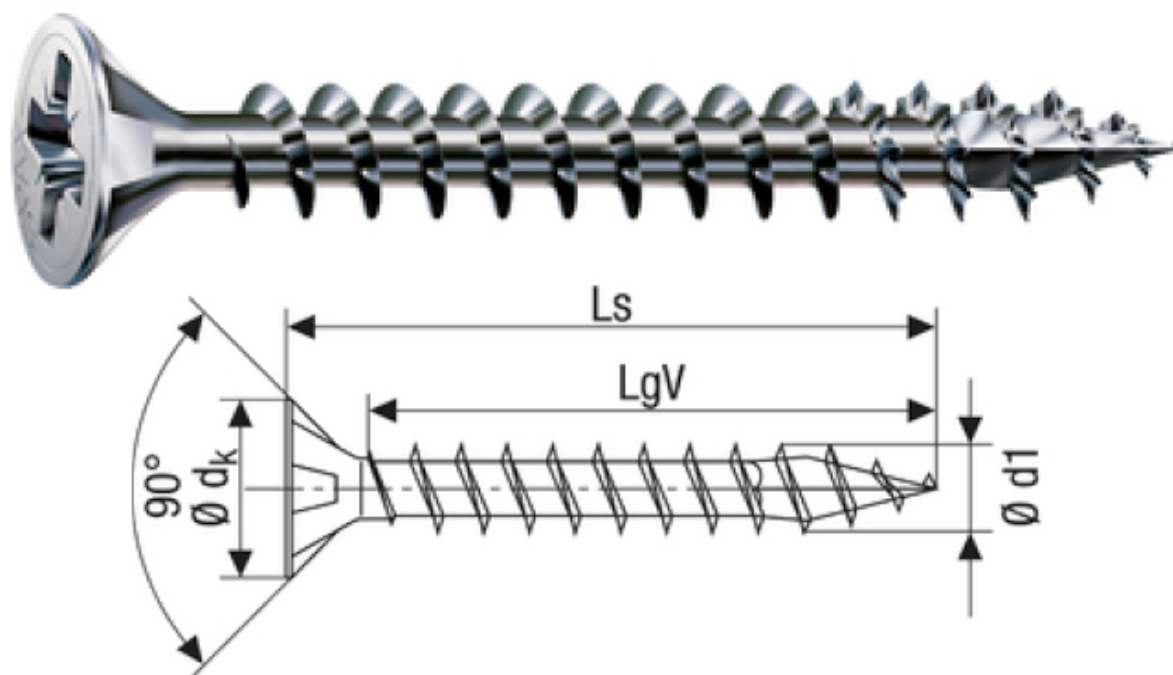


Catalogue not up to date?
Scan the QR or [click here](#)
to view the latest version

[Click to jump back to top](#)

Spax Hardware Screw

Spax universal needle point screw with 4CUT head and Wirox coating.



Product Code	Size (mm)	Driver	Material	Coating	Box Quantity
1081010400165	4 x 16	PH2	Steel	Wirox	1000 pcs
1081010400255	4 x 25	PH2	Steel	Wirox	1000 pcs
35704012301011	4 x 30	PH2	Steel	Wirox	1000 pcs
1081010400405	4 x 40	PH2	Steel	Wirox	1000 pcs

*Note: Various driver bits are available. Please refer to drivers section at the end of this catalogue.

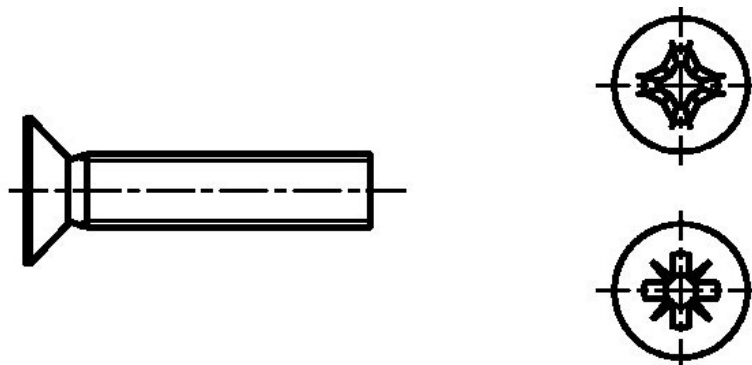


Catalogue not up to date?
Scan the QR or [click here](#)
to view the latest version

[Click to jump back to top](#)

Dresselhaus Threaded Screw

Fully threaded machine screws suitable for window handle installation. Wide variety of sizes to suit different uPVC profiles.



Product Code	Size (mm)	Material	DIN	Driver	Box Quantity
032679	5 x 45	Galvanised	965	PH2	500
0125027	5 x 50	Galvanised	965	PH2	500
4026303950893	5 x 80	Galvanised	965	PH2	200
4026303950909	5 x 90	Galvanised	965	PH2	100
4026303950916	5 x 100	Galvanised	965	PH2	200
4001796574207	6 x 30	Galvanised	965	PH2	200
4001796574269	6 x 45	Galvanised	965	PH2	200
4001796574283	6 x 50	Galvanised	965	PH2	200
4001796574313	6 x 60	Galvanised	965	PH2	200
4026303950923	6 x 70	Galvanised	965	PH2	200
4026303950947	6 x 90	Galvanised	965	PH2	100
4026303950954	6 x 100	Galvanised	965	PH2	100

*Note: Various driver bits are available. Please refer to drivers section at the end of this catalogue.



Catalogue not up to date?
Scan the QR or [click here](#)
to view the latest version

[Click to jump back to top](#)

Parco® Screw Cover Caps



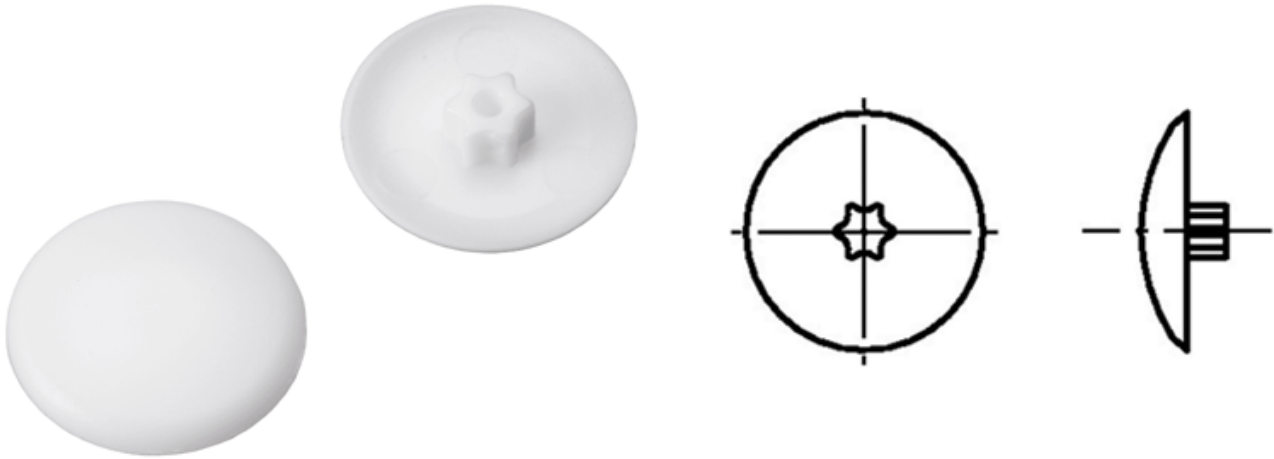
Product Code	Colour	Driver	Bag Quantity
60411G	Pure White - RAL9010	TX30	200



Catalogue not up to date?
Scan the QR or [click here](#)
to view the latest version

[Click to jump back to top](#)

Dresselhaus Screw Cover Caps



Product Code	Colour	Driver	Bag Quantity
0/7694/733/01	Light Oak - Colour 59	T30	200
0/7694/677/01	Black RAL9005	T30	200
4026303760485	White RAL9010	T30	200
4042991109061	Beige Brown RAL1011	T30	1000



Catalogue not up to date?
Scan the QR or [click here](#)
to view the latest version

[Click to jump back to top](#)

Stroxx Driver Bits

Stroxx driver bits. 3 drivers per packing unit.



Product Code	Drive	Length (mm)	Colour	Packaging unit
0009075805	PH1	90	Yellow	1
0009075806	PH2	90	White	1
0009075807	PH3	90	Red	1
0009075811	TX10	90	Blue	1
0009075812	TX15	90	Yellow	1
0009075813	TX20	90	White	1
0009075834	TX25	90	Black	1
0009075835	TX30	90	Red	1
09075837	HEX 4mm	50	Orange	1
0009075838	HEX 4mm	70	Orange	1
0009075840	HEX 5mm	70	Green	1
09075839	HEX 5mm	50	Green	1



Catalogue not up to date?
Scan the QR or [click here](#)
to view the latest version

[Click to jump back to top](#)

Parco / Jet Fast Driver Bits

Driver bits from Parco & JetFast.



Product Code	Description	Drive	Bits per pack	Packaging unit
117TE650	Jet-Fast Driver Bit	TX20	10	1
1130TX20	Jet-Fast Driver Bit	TX20	10	1
1130TX30	Jet-Fast Driver Bit	TX30	10	1
451TX20	Standard driver bit	TX20	10	1
451TX40	Standard driver bit	TX40	10	1



Catalogue not up to date?
Scan the QR or [click here](#)
to view the latest version

[Click to jump back to top](#)

PARCO Multifunction Sleeve

Expansion-free metal dowel with metric internal thread



Product Code	Description	Drill	Thread	Minimum drill hole depth	Installation depth	Packing Unit
613S6	Threaded insert	9	M6	47	42	50
613S8	Threaded insert	12	M8	48	43	25
613S10	Threaded insert	15	M10	33	28	15
613S12	Threaded insert	18	M12	37	32	10
613S16	Threaded insert	22	M16	42	37	5

*Dimensions in mm



Catalogue not up to date?
Scan the QR or [click here](#)
to view the latest version

[Click to jump back to top](#)

Screws & Fasteners Catalogue

*53 Haddon Drive
PO Box 27
Ballan VIC 3342
Australia*

*+61 03 5368 1181
info@siegware.com.au
www.siegware.com.au
www.siegware.co.nz*