

SIEGWARE
Architectural Innovations



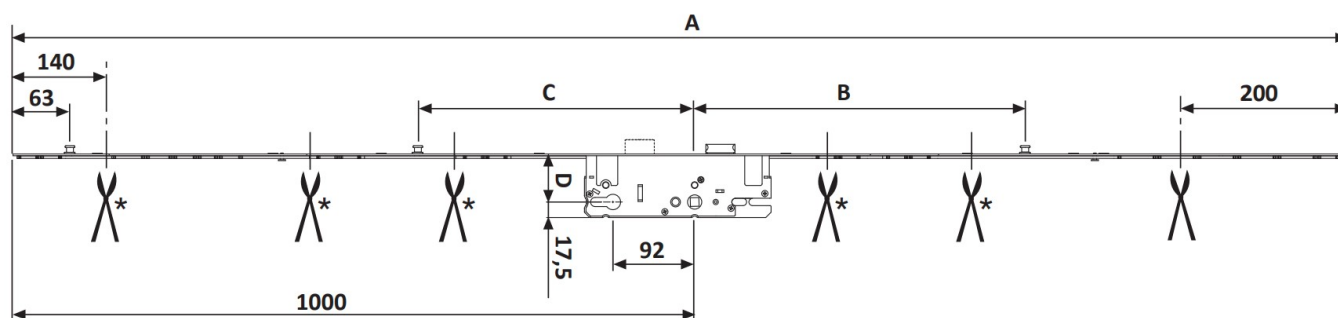
Door Hardware Catalogue

Hinged Doors	3
Multi-point Locking	3
Siegenia TGKT	3
Siegenia KFV	15
MACO G-TA	22
Single-point Locking	27
Mortise Locks	27
uPVC Hinges	29
Eurogroove	29
Flag	33
Timber Hinges	35
Eurogroove	35
Heavy Duty	36
Concealed	38
Wood-Alu Hinges	39
Surface Mounted	39
Thresholds - Inward Opening	40
TB80	40
Thresholds - Barrier Free	41
MFZ Renovation Profile	41
MHT Renovation Profile	42
MFAT 20 Passive House	43
Internal Doors	44
Glass Door Profile	47
Accessories	48
Gaskets	49
Accessories	52
Siegenia Lift & Slide	58
Tracks & Thresholds	58
Standard	58
Eco Pass	62
Bogies	77
Basic Cartons	77
Additional Cartons	84
Gears	91
Accessories	93
Jigs	109
MACO Lift & Slide	112
Gears	112
Rollers	113
Frame Parts	115
Connecting Bar and Accessories	117
Sash Parts	120
Stops	121
Accessories	122
Jigs	123
Tilt & Slide	124
Tracks	124
Bogies	125
Stays	127
Covers	128
Accessories	131
Non-Standard	136
Jigs	137

Bi-Fold	142
Tracks & Thresholds	142
Bogies	145
Sash Hinge	149
Accessories	153
Jigs	156
Parallel Slide HAUTAU	158
Gears	158
Non Lockable	158
Lockable	159
Locking Elements & Bogies	160
Additional Roller	161
Accessories	162
Extensions	162
Corner Drive	165
Restrainer	166
Additional Locking Elements	167
Strikers	169
Stoppers	171
Covers	173
Additional Sliders	174
Jigs	175
Croppers	182
Inline Slide Siegenia	185
Gear	185
Distance Pieces	187
Strikers	188
Bogies	189
Stops	192
Inline Slide Kelegent	193
Gear	193
Gear 7.5	193
Gear 15	194
Strikers	195
Rollers	196
Standard Rollers	196
Heavy Duty Rollers	197
Window & Door Tools	198
Door Closers	204
w/ Stainless Steel Cover	204
w/ Aluminium Cover	205
Lock Cylinders	206
Euro Profile Cylinders	206
Euro Thumb Turn Cylinders	211
Euro Half Cylinders	214
Euro Half Thumb Turn Cylinders	216
Snib Key	218
Accessories	219

Siegenia TGKT Door Gear

Handle operated entrance door gear with deadbolt, 8mm spindle and 92 PZ.



Product Code	Description	A	B	C	D	Cams	Screws	Surface Coating	Packaging Unit
TGKT3110-100010	Door gear DB 28/92/8	1960	460	311	28	3	8	Titan Silver Coating	5
TGKT3130-100011	Door gear DB 35/92/8	1960	460	311	35	3	8	Titan Silver Coating	5
TGKT3160-100121	Door gear DB 45/92/8	1960	460	311	45	3	8	Titan Silver Coating	5
TGKT3170-100010	Door gear DB 50/92/8	1960	460	311	50	3	8	Titan Silver Coating	5
TGKT3110-200110	Door gear DB 28/92/8	1960	460	311	28	3	8	E-Look Coastal Coating	5
TGKT3130-200110	Door gear DB 35/92/8	1960	460	311	35	3	8	E-Look Coastal Coating	5

*Dimensions (mm)

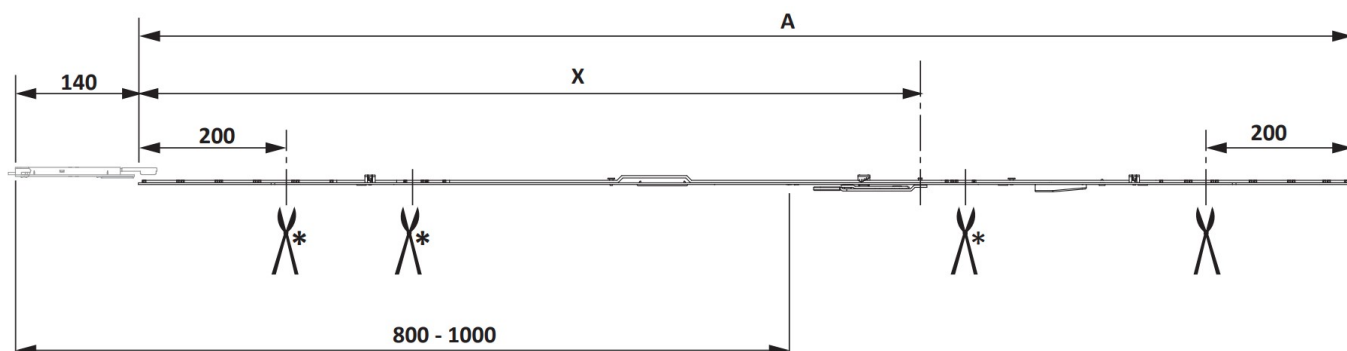


Catalogue not up to date?
Scan the QR or [click here](#)
to view the latest version

[Click to jump back to top](#)

Siegenia TGKT 9000 Secondary Lock

Secondary gear for TGKT French system.



Product Code	Description	A	X	Strikers	Screws	Surface Coating	Packaging Unit
TGKT9000-100010	Slave lock	1820	1140	1	7	Titan Silver Coating	5
TRSA0060-100010	Slave lock extra striker	-	-	-	-	Titan Silver Coating	25
TGKT9000-200010	Slave lock	1820	1140	1	7	E-Look Coastal Coating	5
TRSA0060-200010	Slave lock extra striker	-	-	-	-	E-Look Coastal Coating	25

*Dimensions (mm)

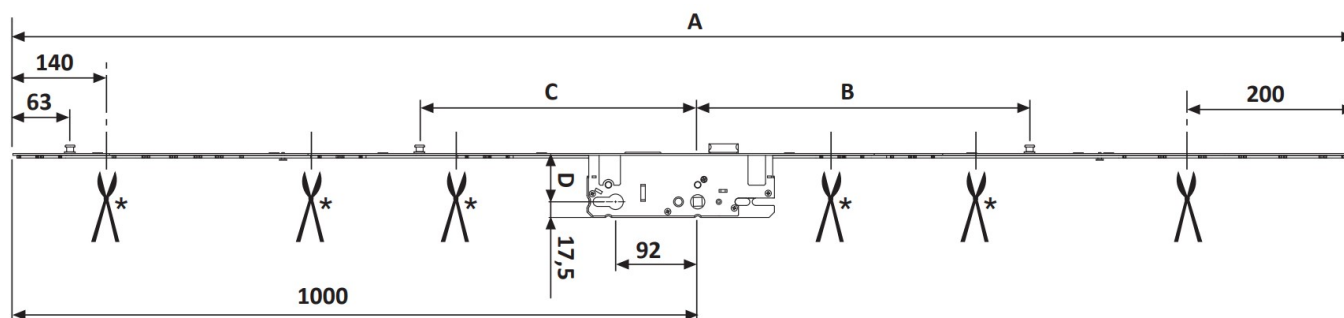


Catalogue not up to date?
Scan the QR or [click here](#)
to view the latest version

[Click to jump back to top](#)

Siegenia TGKT Door Gear - No Deadbolt

Handle operated entrance door gear without deadbolt. 8mm spindle and 92 PZ.



Product Code	Description	A	B	C	D	Screws	Packaging Unit
TGKT3030-100010	Door gear DB 35/92/8	1960	460	311	35	8	5

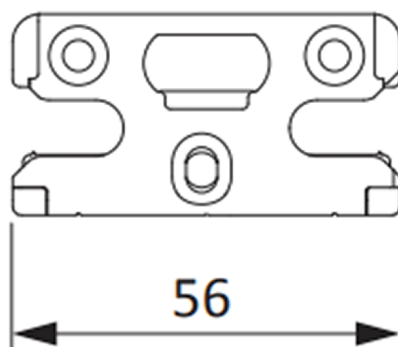


Catalogue not up to date?
Scan the QR or [click here](#)
to view the latest version

[Click to jump back to top](#)

Siegenia TGKT French Door System

Security Strikers



Product Code	Description	Profile	Coating	Packaging Unit
TRSK0270-100010	Striker plate Aluplast Ideal 2000	Aluplast Ideal 2000	Titan Silver	250
TRSK0520-100010	Striker plate Aluplast 4000	Aluplast Ideal 4000	Titan Silver	250
TRSK2340-100010	Striker plate Veka Softline	Veka Softline	Titan Silver	250
TRSK2620-100010	Striker plate Deceuninck	Deceuninck Zendow	Titan Silver	250
TRSK0600-100010	Striker plate Koemmerling	Kommerling c70	Titan Silver	250
TRSK0900-100010	Striker plate Rehau	Rehau	Titan Silver	250
TRSK0270-200010	Striker plate Aluplast Ideal 2000	Aluplast Ideal 2000	E-LOOK Coastal	250
TRSK0520-200010	Striker plate Aluplast 4000	Aluplast Ideal 4000	E-LOOK Coastal	250
TRSK2620-200010	Striker plate Deceuninck	Deceuninck Zendow	E-LOOK Coastal	250
TRSK0600-200010	Striker plate Koemmerling	Kommerling c70	E-LOOK Coastal	250
TRSK0900-200010	Striker plate Rehau	Rehau	E-LOOK Coastal	250

*Profile Specific Single Door Cam Strikes



Catalogue not up to date?
Scan the QR or [click here](#)
to view the latest version

[Click to jump back to top](#)

Siegenia TGKT French Door System

Adjustable Shoot Bolt Striker



Face



Back

Product Code	Description	Packaging Unit
708231	Adjustable shootbolt striker	250

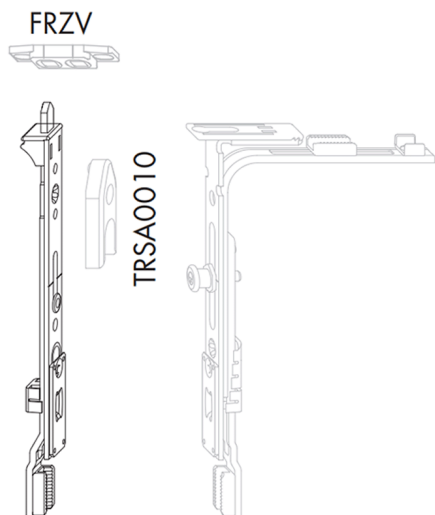


Catalogue not up to date?
Scan the QR or [click here](#)
to view the latest version

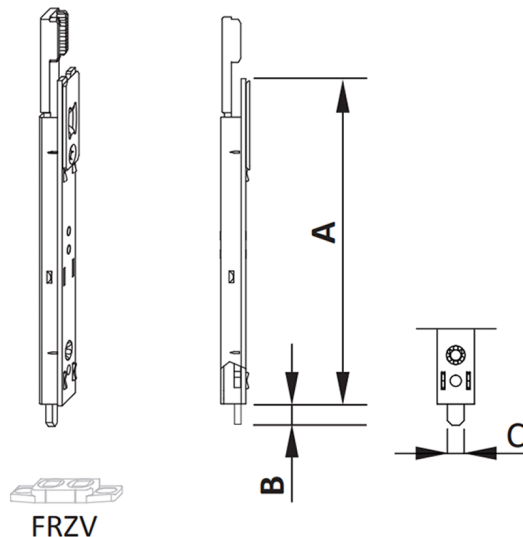
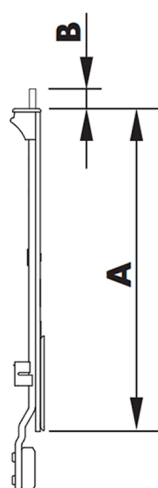
[Click to jump back to top](#)

Siegenia TITAN AF Shoot Bolt

Gear operated shoot bolts.
Inline & reverse



TESC2040



TESC3080

Product Code	Description	Type	A	B	C	Cams	Screws	Surface Finish	P.U.
TESC2040-100010	Locking bolt AF VSO RSA11	In-Line	140	14	-	1	3	Titan Silver	25
TESC3080-100010	Locking bolt AF VSU/G RSA14	Reverse	140	14	6,80	1	2	Titan Silver	25
TESC3080-200010	Locking bolt AF VSU/G RSA14	Reverse	140	14	6,80	1	2	Elook Coastal	25

*Dimensions (mm)

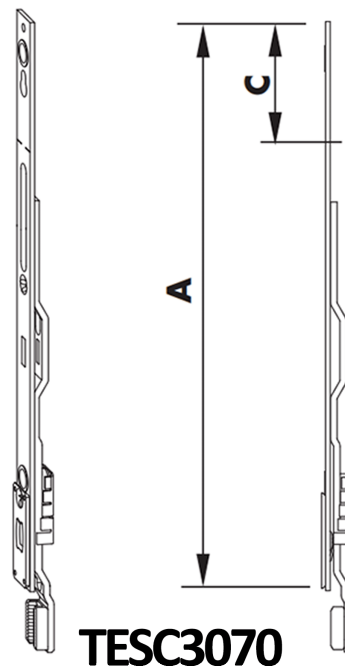
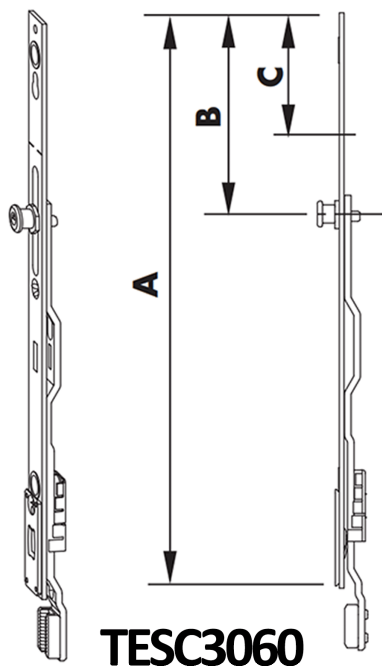


Catalogue not up to date?
Scan the QR or [click here](#)
to view the latest version

[Click to jump back to top](#)

Siegenia TITAN AF Locking Bolts

Gear operated locking bolts



Product Code	Description	Type	A	B	C	Cams	Screws	Surface Finish	P.U.
TESC3060-100010	locking bolt AF VSO RB 1RS	Reverse	246	86	56	1	4	Titan Silver	25
TESC3070-100011	locking bolt AF VSO RB	Reverse	246	-	56	0	4	Titan Silver	25

*Dimensions (mm)

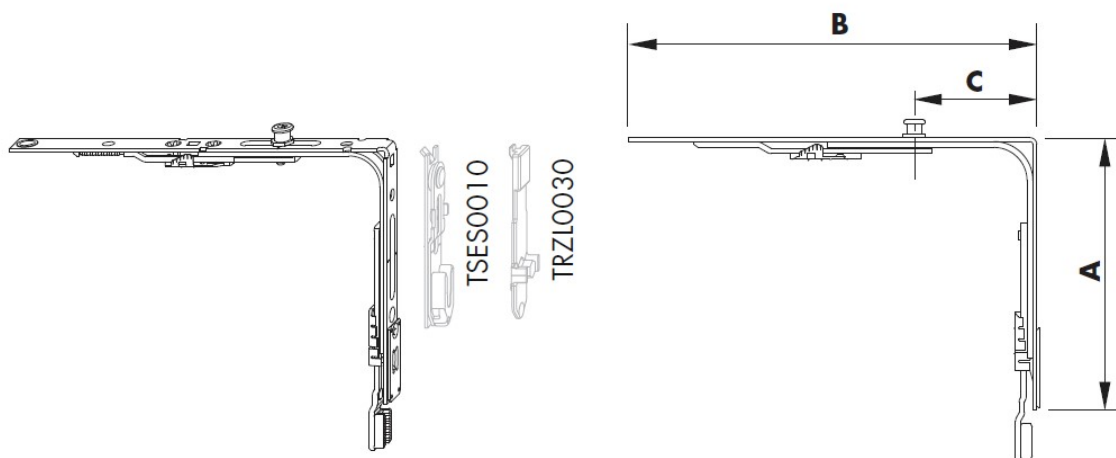


Catalogue not up to date?
Scan the QR or [click here](#)
to view the latest version

[Click to jump back to top](#)

TGKT Corner Drives

TGKT corner drives for main & slave doors



Product Code	Description	A	B	C	Cams	Screws	Surface Finish	P.U.
TEUL4110-100010	Corner Drive AF VSO/K+ DF 1RS	140	210	63	1	5	Titan Silver	50
TEUL4110-200010	Corner Drive AF VSO/K+ DF 1RS	140	210	63	1	5	Elook Coastal	50

*Dimensions (mm)

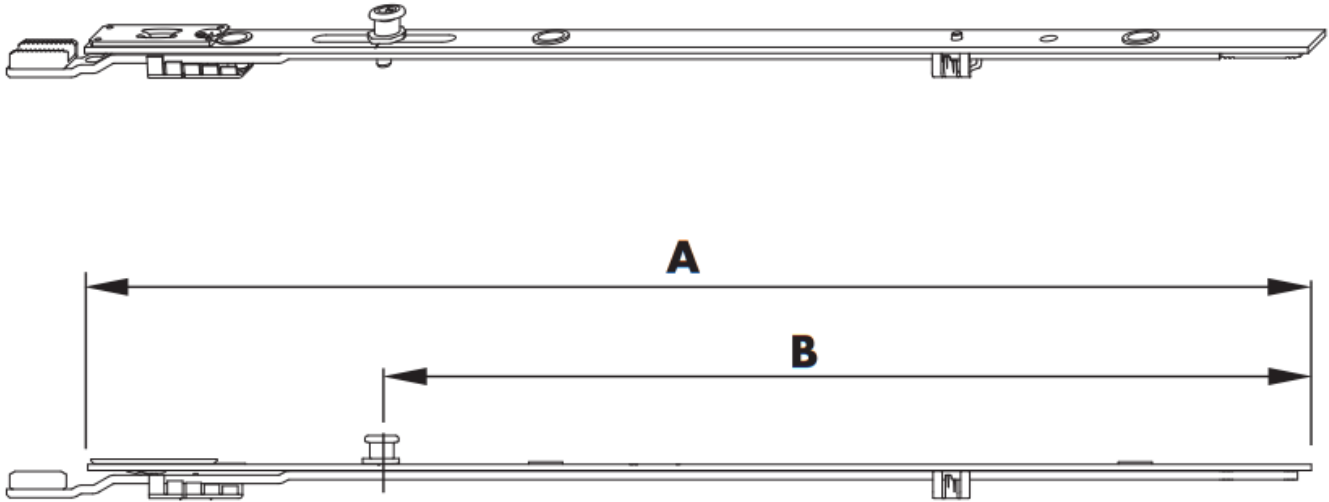


Catalogue not up to date?
Scan the QR or [click here](#)
to view the latest version

[Click to jump back to top](#)

Siegenia TITAN AF Linkage

Extensions with female and male coupling ends.



Product Code	Description	A	B	Cams	Screws	Surface Finish	Packaging Unit
TZKK1010-100010	Linkage KK/AF SZ 1 1RS	200	105	1	3	Titan Silver	25
TZKK1020-100010	Linkage KK/AF SZ 2 1RS	400	305	1	4	Titan Silver	25
TZKK1050-100010	Linkage KK/AF SZ 3 1RS	600	505	1	5	Titan Silver	25
TZKK1010-200010	Linkage KK/AF SZ 1 1RS	200	105	1	3	Elook Coastal	25
TZKK1020-200010	Linkage KK/AF SZ 2 1RS	400	305	1	4	Elook Coastal	25

*Dimensions (mm)

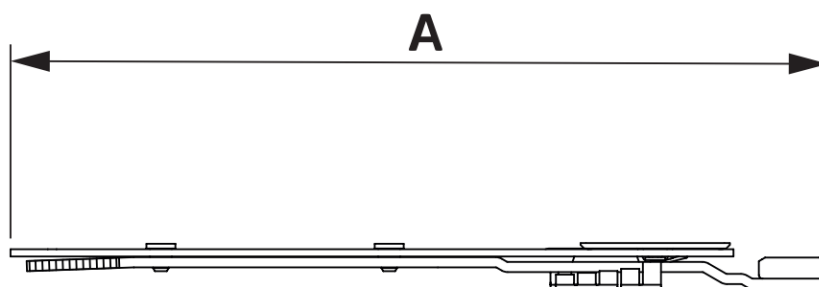
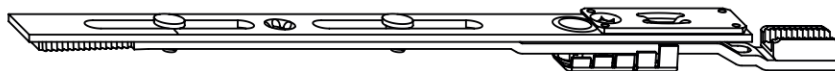


Catalogue not up to date?
Scan the QR or [click here](#)
to view the latest version

[Click to jump back to top](#)

Siegenia TITAN AF Linkage

Linkages with female and male coupling ends, no locking points.



Product Code	Description	A	Cams	Screws	Surface Finish	Packaging Unit
TZZS0150-100010	Linkage AF SZ 1	200	0	3	Titan Silver	25
TZZS0150-200010	Linkage AF SZ 1	200	0	3	Elook Coastal	25

*Dimensions (mm)

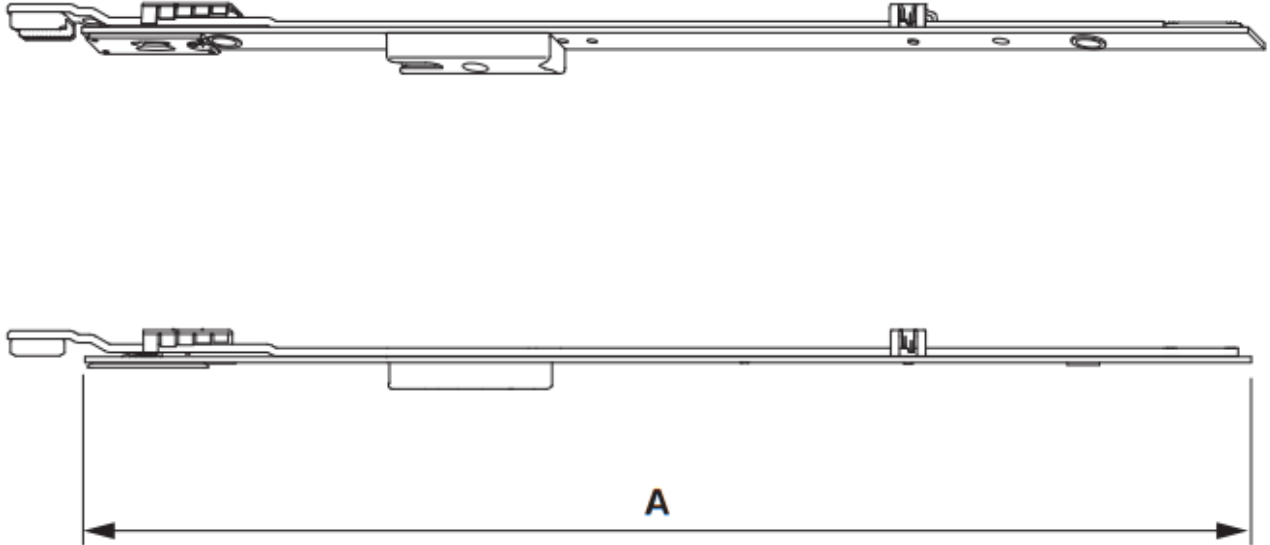


Catalogue not up to date?
Scan the QR or [click here](#)
to view the latest version

[Click to jump back to top](#)

Siegenia TITAN AF Slave Linkage

Slave side extension with striker, to be used with opposing extension TZKK1020.



Product Code	Description	A	Strikers	Screws	Surface Finish	Packaging Unit
TZKS1030-100010	Linkage AF SZ 2 1SB-RS	400	1	4	Titan Silver	25
TZKS1030-200010	Linkage AF SZ 2 1SB-RS	400	1	4	Elook Coastal	25

*Dimensions (mm)



Catalogue not up to date?
Scan the QR or [click here](#)
to view the latest version

[Click to jump back to top](#)

Siegenia TGKT French Door System

Latch Plates



Product Code	Description	Side	System	Profile	Surface	P.U.
TRFR0181-100010	TGKT door latch plate	RH	uPVC	Kommerling c70	Titan Silver	25
TRFR0182-100010	TGKT door latch plate	LH	uPVC	Kommerling c70	Titan Silver	25
TRFR0201-100010	TGKT door latch plate	RH	uPVC	Deceuninck Zendow	Titan Silver	25
TRFR0202-100010	TGKT door latch plate	LH	uPVC	Deceuninck Zendow	Titan Silver	25
TRFR0211-100010	TGKT door latch plate	RH	uPVC	Rehau	Titan Silver	25
TRFR0212-100010	TGKT door latch plate	LH	uPVC	Rehau	Titan Silver	25
TRFR0221-100010	TGKT door latch plate	RH	uPVC	Veka	Titan Silver	25
TRFR0222-100010	TGKT door latch plate	LH	uPVC	Veka	Titan Silver	25
TRFR0232-100010	TGKT door latch plate	LH	uPVC	Veka	Titan Silver	25
TRFR0231-100010	TGKT door latch plate	RH	uPVC	Veka	Titan Silver	25
TRFR0251-100010	TGKT door latch plate	RH	uPVC	Aluplast Ideal 4000	Titan Silver	25
TRFR0252-100010	TGKT door latch plate	LH	uPVC	Aluplast Ideal 4000	Titan Silver	25
TRFR0281-100010	TGKT door latch plate	RH	uPVC	Aluplast Ideal 2000	Titan Silver	25
TRFR0282-100010	TGKT door latch plate	LH	uPVC	Aluplast Ideal 2000	Titan Silver	25
TRFR7671-100010	TGKT door latch plate - gear mount	RH	Timber & French - slave	-	Titan Silver	25
TRFR7672-100010	TGKT door latch plate - gear mount	LH	Timber & French - slave	-	Titan Silver	25
TRFR7671-200010	TGKT door latch plate - gear mount	RH	Timber & French - slave	-	E-LOOK Coastal	25
TRFR7672-200010	TGKT door latch plate - gear mount	LH	Timber & French - slave	-	E-LOOK Coastal	25

*Profile Specific Single Door Latch Plates



Catalogue not up to date?
Scan the QR or [click here](#)
to view the latest version

[Click to jump back to top](#)

KFV BS2100AG Multi-point Lock

Key operated, comfort mushroom (x4) multipoint lock (1020mm height from bottom to spindle).



Product Code	Description	Gear Height	Faceplate	Backset	PZ Distance	Spindle	Packaging Unit
5494514	BS2100AG 16/25 8mm	2170	16	25	92	8	5
5473267	BS2100AG 16/35 8mm	2170	16	35	92	8	5

*Dimensions in (mm)



Catalogue not up to date?
Scan the QR or [click here](#)
to view the latest version

[Click to jump back to top](#)

KFV BS 2600SL Multi-point Lock

Key operated hook and pin lock with RC2 security as standard, 1020mm height from bottom to spindle.



Product Code	Description	Gear Height	Faceplate	Backset	PZ Distance	Spindle	Packaging Unit
5490326	BS 2600SL 16/35-92 8mm	2170	16	35	92	8	5
5497733	BS 2600SL 16/55 8mm	2170	16	55	92	8	5
3467747	V 2600 F 16 Lock Ext	400	16	n/a	n/a	n/a	1

*Dimensions in (mm)



Catalogue not up to date?
Scan the QR or [click here](#)
to view the latest version

[Click to jump back to top](#)

KFV AS3600 Multi-point Lock

Key operated hook and pin lock with RC2 security as standard, automatic locking upon closing of door, optional 'A' opener allows automated unlocking from the outside via access control systems.



Product Code	Description	Gear Height	Faceplate	Backset	PZ Distance	Spindle	Packaging Unit
3505479	AS3600 Lock 35mm Backset	2170	16	35	92	8	5
3505736	AS3600 Lock 55mm Backset	2170	16	55	92	8	5

*Note: Access control systems can be seen on Genius catalogue page | Dimensions in (mm)

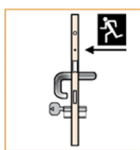


Catalogue not up to date?
Scan the QR or [click here](#)
to view the latest version

[Click to jump back to top](#)

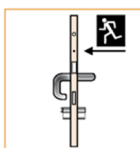
KFV Multi-point Panic Lock

Multi-point lock with main latch, deadbolt and two pinbolts.



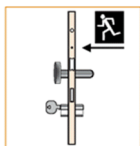
Change-over function B

The door can only be opened against the escape direction using the handle after it has been unlocked with the key. After the escape function has been activated, access against the escape direction is blocked once the door closes again, and it is not possible to escape back into the building.



Free access function D

The door can only be opened against the escape direction using the handle after it has been unlocked with the key. After the escape function has been activated, the door is accessible from both sides and it is possible to escape back against the escape direction.



Key-operated latch function E

The door can only be opened against the escape direction after it has been unlocked and it can only be opened with the key. After the escape function has been activated, access against the escape function is blocked once the door closes and it is not possible to escape back into the building.

Product Code	Description	Function	Backset (mm)	Spindle (mm)	Packaging Unit
3458448	Panic lock EP930	B	35	9	1
3485046	Panic lock EP930	B	55	9	1
3479652	Panic lock split spindle kit	n/a	n/a	9	1

*Note: Not all items are stocked, some parts available on request.



Catalogue not up to date?
Scan the QR or [click here](#)
to view the latest version

[Click to jump back to top](#)

KFV Latch Plates

Latch plates for BS2600SL, AS3600 and Genius systems.



Product Code	Description	Handling	Profile	System	Packaging Unit
3408430	Latch plate for 92 PZ doors	right	Kommerling c70	uPVC	1
3367426	Latch plate for 92 PZ doors	left	Kommerling c70	uPVC	1
3482836	Latch plate for 92 PZ doors	right	Deceuninck Zendow	uPVC	1
3482837	Latch plate for 92 PZ doors	left	Deceuninck Zendow	uPVC	1
3482277	Latch plate for 92 PZ doors	right	Aluplast 4000	uPVC	1
3482278	Latch plate for 92 PZ doors	left	Aluplast 4000	uPVC	1



Catalogue not up to date?
Scan the QR or [click here](#)
to view the latest version

[Click to jump back to top](#)

KFV Hook & Pin Strikers

Strikers for BS2600SL, AS3600 and Genius systems.



Product Code	Description	Handling	Profile	System	Packaging Unit
3478795	Hook and pin striker	right	Kommerling c70	uPVC	1
3478796	Hook and pin striker	left	Kommerling c70	uPVC	1
3482851	Hook and pin striker	right	Deceuninck	uPVC	1
3482852	Hook and pin striker	left	Deceuninck	uPVC	1
3482279	Hook and pin striker	right	Aluplast Ideal 4000	uPVC	1
3482280	Hook and pin striker	left	Aluplast Ideal 4000	uPVC	1



Catalogue not up to date?
Scan the QR or [click here](#)
to view the latest version

[Click to jump back to top](#)

KFV Shootbolt Striker

Eccentric bush for adjustment.



Product Code	Description	Diameter (mm)	Packaging Unit
3473961	Shootbolt striker drill fix	24	1



Catalogue not up to date?
Scan the QR or [click here](#)
to view the latest version

[Click to jump back to top](#)

Handle Operated Lock with Spring Actuation

Maco G-TA spring operated door locking system that secures the door upon closing without handle operation; all locking elements extend automatically, with access possible via handle until locked with the key.



Part Code	Description	Length	Cams	Finish	Backset	Handle Height	Sash Rebate Height	Packing Unit
243681	Door lock G-TA with 35BS 4 i.S PZ 92	2150	4	Silver	35	1050	1950-2150	5

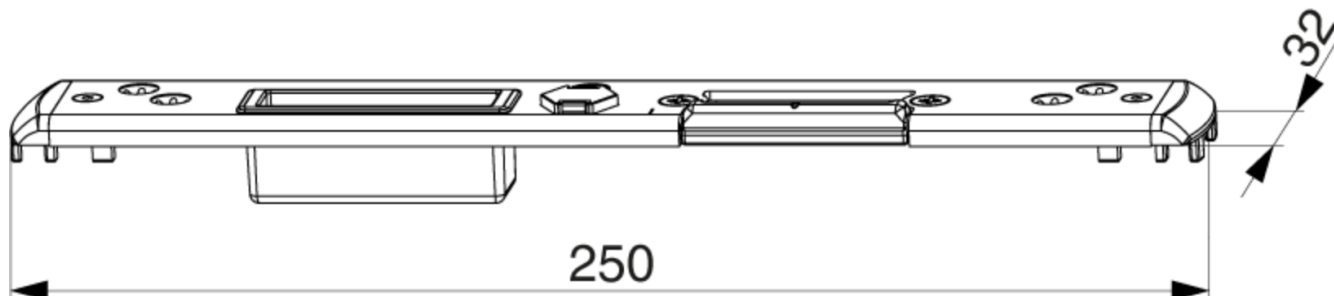


Catalogue not up to date?
Scan the QR or [click here](#)
to view the latest version

[Click to jump back to top](#)

Latch Plates

Latch and deadbolt striker designed for spring operated gear, ensuring secure engagement and smooth locking performance.



Part Code	Description	Profile	Side	Length	Width	Thickness	Packaging Unit
217924	Latch and deadbolt striker G-TA - Right	Aluplast ID 4000	Right	250	32	6	20
217925	Latch and deadbolt striker G-TA - Left	Aluplast ID 4000	Left	250	32	6	20
224097	Latch and deadbolt striker G-TA - Right	Koemmerling C70	Right	250	32	6	20
224098	Latch and deadbolt striker G-TA - Left	Koemmerling C70	Left	250	32	6	20
217947	Latch and deadbolt striker G-TA - Right	Koemmerling C76	Right	250	32	6	20
217948	Latch and deadbolt striker G-TA - Left	Koemmerling C76	Left	250	32	6	20
224053	Latch and deadbolt striker G-TA - Right	Deceuninck Zendow / ART	Right	250	32	6	20
224054	Latch and deadbolt striker G-TA - Left	Deceuninck Zendow / ART	Left	250	32	6	20



Catalogue not up to date?
Scan the QR or [click here](#)
to view the latest version

[Click to jump back to top](#)

Trigger Strikers

Trigger striker activates the spring lock mechanism automatically upon sash closure, ensuring secure locking and reliable performance.

**COMING
SOON**

Part Code	Description	Profile	Packaging Unit
226497	Trigger Striker	Aluplast ID 4000	1
226501	Trigger Striker	Koemmerling C76	1
226498	Trigger Striker	Deceuninck Zendow / ART	1



Catalogue not up to date?
Scan the QR or [click here](#)
to view the latest version

[Click to jump back to top](#)

Standard Strikers

Standard strikers for i.S cams, providing locking and reliable performance.

**COMING
SOON**

Part Code	Description	Profile	Packaging Unit
34666	Standard striker for i.S cams	Aluplast ID 2000 & ID 4000	200
34220	Standard striker for i.S cams	Koemmerling C76	200
358074	Standard striker for i.S cams	Deceuninck Zendow / ART	200

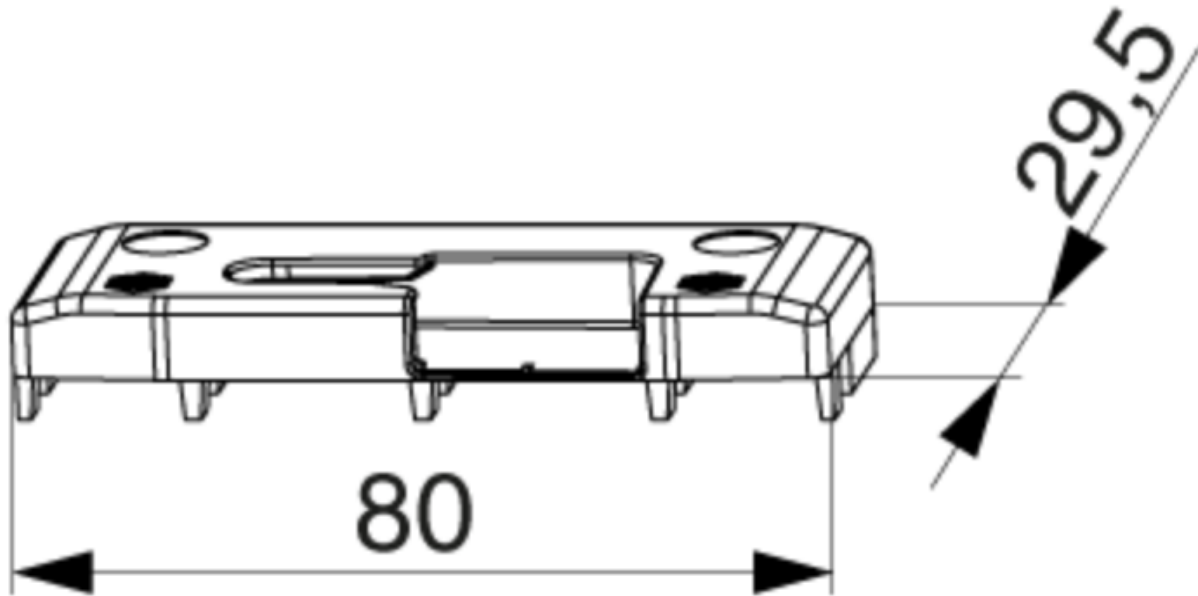


Catalogue not up to date?
Scan the QR or [click here](#)
to view the latest version

[Click to jump back to top](#)

Security Strikers

Security striker for i.S Cams designed to enhance locking strength and provide additional security for doors.



Part Code	Description	Profile	Side	Packaging Unit
354986	Security striker for i.S Cams - Right	Aluplast ID 4000	Right	20
354999	Security striker for i.S Cams - Left	Aluplast ID 4000	Left	20
96341	Security striker for i.S Cams	Aluplast ID 2000	Right / Left	20
364674	Security striker for i.S Cams	Koemmerling C70 / C76	Right / Left	20
357189	Security striker for i.S Cams	Deceuninck Zendow / ART	Right / Left	20

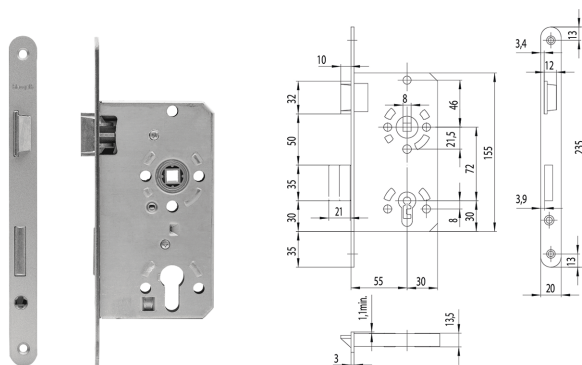


Catalogue not up to date?
Scan the QR or [click here](#)
to view the latest version

[Click to jump back to top](#)

Blaugelb Mortise Lock

The blaugelb mortise lock is suitable for rebated interior doors and is prepared for profile cylinders with a distance of 72mm.



Product Code	Description	Backset	Direction	Material	Packaging Unit
0248270	Mortise lock	55mm	Right	Metal	1
0248271	Mortise lock	55mm	Left	Metal	1
0248272	Mortise lock	55mm	Right	Metal, anti-rust	1
0248273	Mortise lock	55mm	Left	Metal, anti-rust	1



Catalogue not up to date?
Scan the QR or [click here](#)
to view the latest version

[Click to jump back to top](#)

Dr Hahn KT-RV

Can be adjusted in three dimensions, load up to 120kg, doors open up to 180° and can be used on left or right.



Product Code	Description	Size (mm)	Weight (kg)	Surface	Colour	Packaging Unit
K731G0000_EV1	K73110000_EV1	16/3	120	Anodised	EV1	20
K731G0000_9016	Universal concealed hinge for uPVC doors	16/3	120	Coated	White	20
K73190000_SILV	Universal concealed hinge for uPVC doors	16/3	120	Coated	Silver 089	20
K73190000_9005	Universal concealed hinge for uPVC doors	16/3	120	Coated	Black	20
T320A0001	Jig set for KT-RV 2 Leg Hinge	-	-	-	-	1



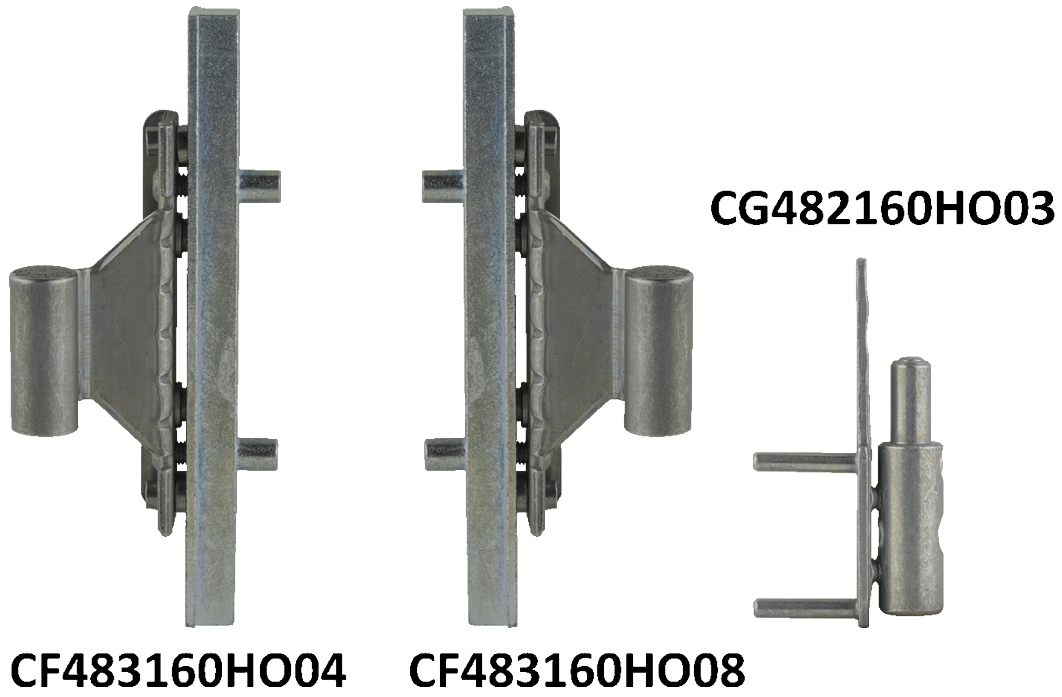
Catalogue not up to date?
Scan the QR or [click here](#)
to view the latest version

[Click to jump back to top](#)

Otlav Bixacta 3D Adjustable Hinge - With Coastal Coating - uPVC

3D adjustable hinge for uPVC profile with 13mm groove axis, opening angle 180°

Coastal Coating



Product Code	Description	Diameter (mm)	Colour / Finish	Packaging Unit
CF483160HO04	Bixacta Female Left 13mm Axis (Coastal)	16	Coastal	12
CF483160HO08	Bixacta Female Right 13mm Axis (Coastal)	16	Coastal	12
CG482160HO03	Bixacta Male Part on 5mm Pegs (100kg) (Coastal)	16	Coastal	12

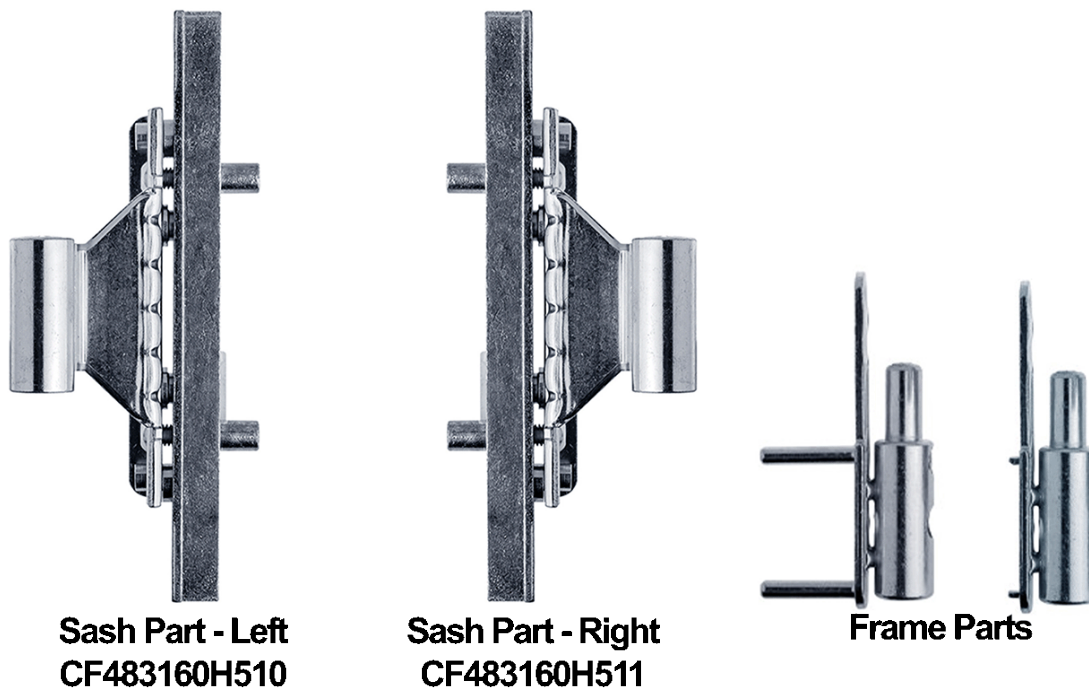


Catalogue not up to date?
Scan the QR or [click here](#)
to view the latest version

[Click to jump back to top](#)

Otlav Bixacta 3D Adjustable Hinge - uPVC

3D adjustable hinge for uPVC profile with 13mm or 9mm groove axis, opening angle 180°



Product Code	Description	Diameter (mm)	Colour / Finish	Packaging Unit
CF483160H510	Bixacta Female Left 13mm Axis	16	zinc plated	12
CF483160H511	Bixacta Female Right 13mm Axis	16	zinc plated	12
CF483160H515	Bixacta Female Left 9mm Axis	16	zinc plated	12
CF483160H519	Bixacta Female Right 9mm Axis	16	zinc plated	12
CG482160H504	Bixacta Male Part on Plate (80kg)	16	zinc plated	48
CG482160H517	Bixacta Male Part on 5mm Pegs (100kg)	16	zinc plated	12
GC838180Y603	Nylon Cover Cap	16	White	120
GC838180Y208	Nylon Cover Cap	16	Black	120
GC838180YS04	Nylon Cover Cap	16	Matt Chrome	120
GC8381709N04	Aluminium Cover Cap	16	Black	40
GC838170J702	Aluminium Cover Cap	16	Silver	40
GC838170PI02	Aluminium Cover Cap	16	white	40
MA703483G002	Jig set for Female & Male Part on Plate	-	-	1
MA701483G006	Jig set for Female & Male part on 5mm Pegs	-	-	1



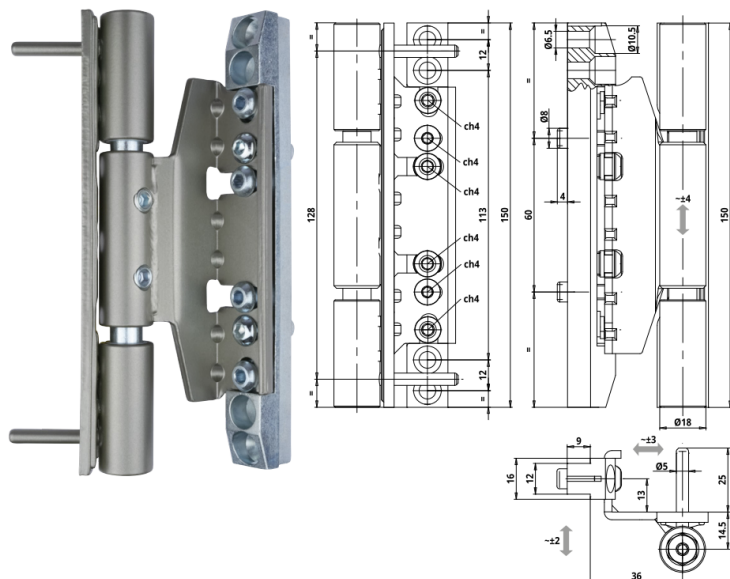
Catalogue not up to date?
Scan the QR or [click here](#)
to view the latest version

[Click to jump back to top](#)

Otlav Triaxta 3D Adjustable Hinge - uPVC 160kg

Heavy duty 3D adjustable hinge for uPVC profile with 13mm groove axis, opening angle 180°. Rated up to 160kg.

Cover caps included with hinge.



Product Code	Description	Diameter (mm)	Colour / Finish	Packaging Unit
CI4731809F02	Triaxta Hinge 160kg	18mm	Grey (Plastified)	3
CI473180PI02	Triaxta Hinge 160kg	18mm	White (Plastified)	3
MC703473G003	Triaxta Jig - Door Side	N/A	Aluminium	1
MC703473G006	Triaxta Jig - Frame Side	N/A	Aluminium	1



Catalogue not up to date?
Scan the QR or [click here](#)
to view the latest version

[Click to jump back to top](#)

Athena Door Hinge

Can be adjusted in three dimensions, load up to 100kg with three hinges, and can be used on left or right



Product Code	Description	Weight (kg)	Colour / Finish	Packaging Unit
0713-2000-BK	Athena hinge for uPVC doors	100	black	24
0713-2000-BR	Athena hinge for uPVC doors	100	brown	24
0713-2000-SS	Athena hinge for uPVC doors	100	satın silver	24
0713-2000-WH	Athena hinge for uPVC doors	100	white	24
JIG-0045	Jig for Athena hinge	N/A	N/A	1

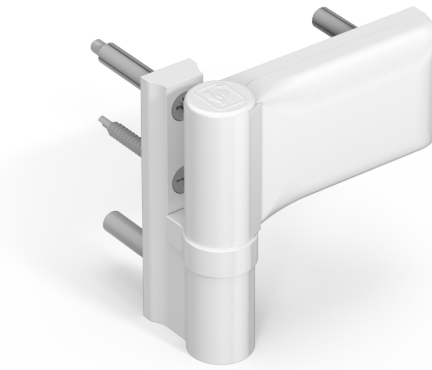


Catalogue not up to date?
Scan the QR or [click here](#)
to view the latest version

[Click to jump back to top](#)

Dr Hahn KT-EV 18-23mm

Can be adjusted in five dimensions, load up to 120kg, and can be used on left or right.



Product Code	Description	Size (mm)	Weight (kg)	Surface	Colour	Packaging Unit
P20790008_SILV	Universal flag hinge for uPVC doors	18-23	120	Coated	silver 089	20
P207G0008_9016	Universal flag hinge for uPVC doors	18-23	120	Coated	white	20
P20790008_9001	Universal flag hinge for uPVC doors	18-23	120	Coated	cream	20
P20790008_9005	Universal flag hinge for uPVC doors	18-23	120	Coated	black	20
T315A0001	Jig set for KT-EV with Fast Device	-	-	-	-	1
T315A0000	Jig set for KT-EV without Fast Device	-	-	-	-	1

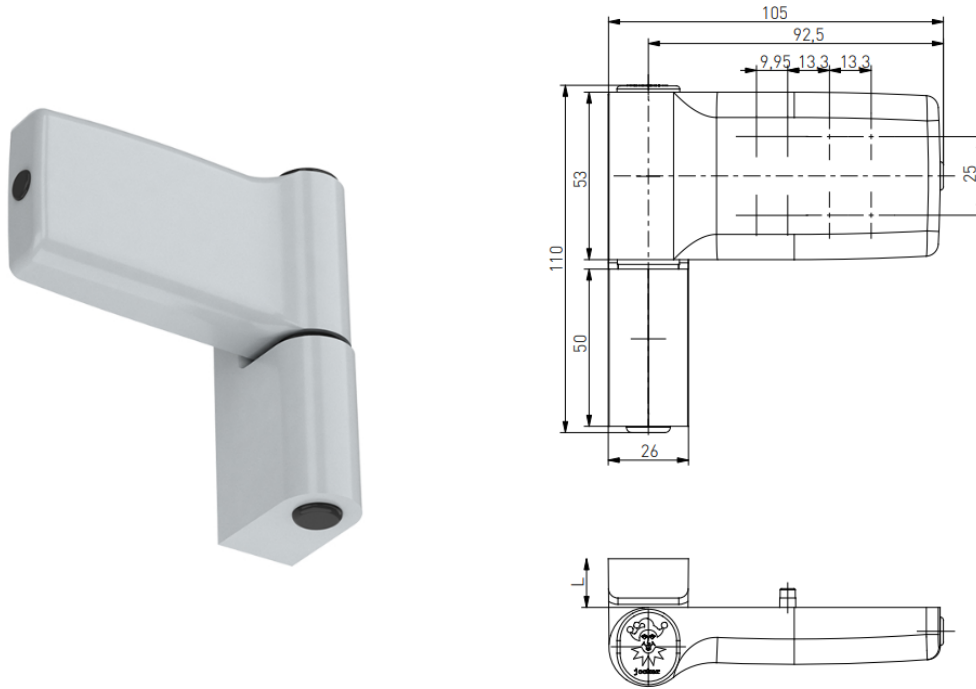


Catalogue not up to date?
Scan the QR or [click here](#)
to view the latest version

[Click to jump back to top](#)

uPVC Jocker Hinge

For uPVC doors, up to 120kg. Easy 3D adjustment with no need to lift or take out the sash. Frame, sash part and fixing part made of high quality ZNAL alloy, and tested for 200,000 cycles. End caps made of ASA, UV resistant plastic, 2 anti-burglar securing mechanisms, and is designed with a sliding plastic bearing to ensure proper operation of the hinge. Template and allen key available.



Product Code	Description	Height - L (mm)	Colour	Packaging Unit
9019005M205A	uPVC door hinge	20.5	Black RAL9005	24
9019016205A	uPVC door hinge	20.5	White RAL9016	24
901SILV205A	uPVC door hinge	20.5	Silver	24
9018077205A	uPVC door hinge	20.5	Black Brown RAL8077	24
911INOX205A	uPVC door hinge	20.5	Stainless Steel	24
9019001205A	uPVC door hinge	20.5	Cream RAL 9001	24
90100000013H	Spare screw cap / cover - set 4 pieces	-	Black	1
90100000012H	Spare screw cap / cover - set 4 pieces	-	White	1
40704040500	Jig for Jocker PVC Hinge	-	-	1
40704040100	Adjustment Tool for Jocker PVC Hinge	-	-	1

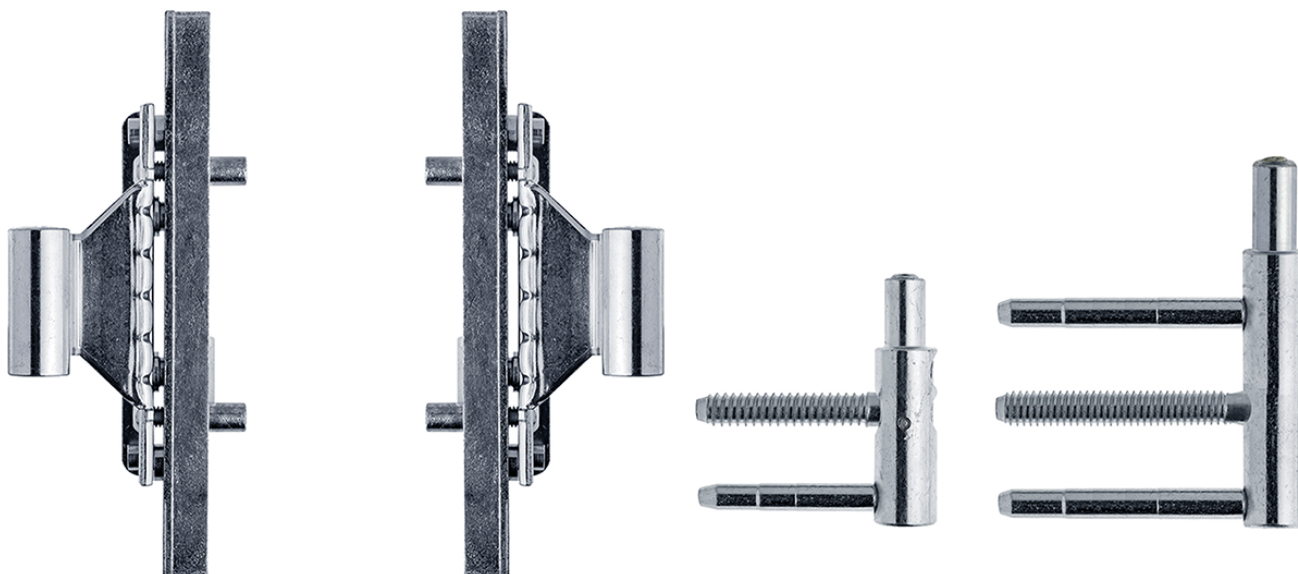


Catalogue not up to date?
Scan the QR or [click here](#)
to view the latest version

[Click to jump back to top](#)

Mixacta 3D Hinge - Timber

3D adjustable hinge for timber profile with 13mm groove axis, opening angle 180 deg.



Sash Part - Left
CF483160H510

Sash Part - Right
CF483160H511

Frame Parts

Product Code	Description	Size (mm)	Colour / Finish	Packaging Unit
CF483160H510	Sash part left (pictured)	16	zinc plated	12
CF483160H511	Sash part right	16	zinc plated	12
CG495160H502	Timber frame part 2 prong	16	zinc plating	50
CG495160H02	Timber frame part 3 prong	16	zinc plating	10
GC838170J702	Aluminium cap (to suit 2 prong)	16	satin silver	100
GC8381709N04	Aluminium cap - (to suit 2 prong)	16	black	40
GC838170J706	Aluminium cap - large (to suit 3 prong)	16	satin silver	120
GC8381709N02	Aluminium cap - large (to suit 3 prong)	16	black	40
GC8381709P02	Aluminium cap - large (to suit 3 prong)	16	White (Plasticised)	40
GC838180Y603	Nylon cap (to suit 2 prong)	16	white 9016	120
GC838180Y208	Nylon cap (to suit 2 prong)	16	black	120
GC838180YS04	Nylon cap (to suit 2 prong)	16	matt chrome	120
MA701483G004	Jig set MA701 Timber	-	-	-

*Note: 2 prong hinges require standard hinge covers, 3 prong hinges require large hinge covers. All sash parts require standard hinge covers.



Catalogue not up to date?
Scan the QR or [click here](#)
to view the latest version

[Click to jump back to top](#)

Ursus Hinge 160 - Timber

Heavy duty 5 pin hinge, suitable for weights up to 160kg, 3D adjustable.



Product Code	Description	Length (mm)	Width (mm)	Capacity (kg)	Colour / Finish	Packaging Unit
CI4951808H02	5 pin timber hinge set	139	18	160	super zinc plated	10
GC838190J703	Aluminium cover cap - large	91	19	-	satın silver	30
GC838190J704	Aluminium cover cap - small	55	19	-	satın silver	30
MA701180G008	MA701 Ursus 18 jig set	-	-	-	-	1

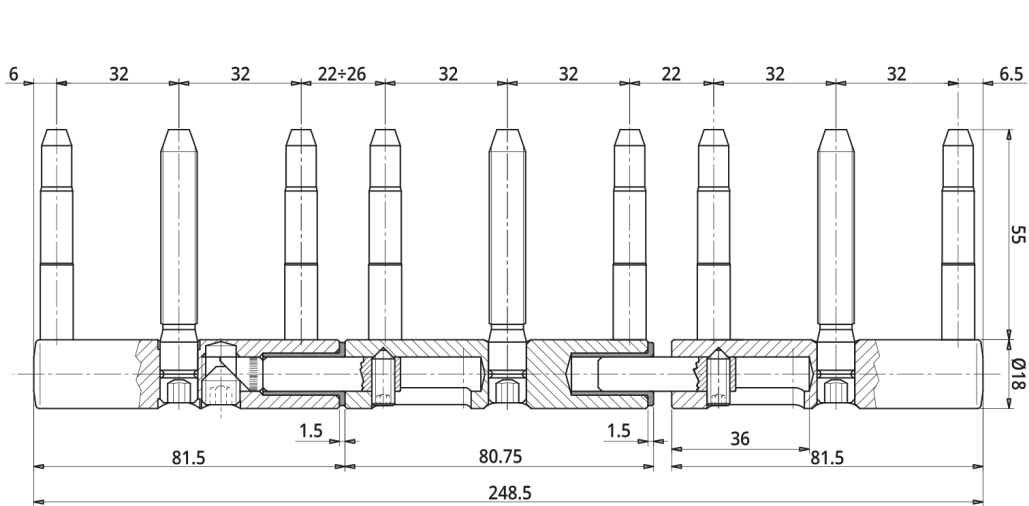


Catalogue not up to date?
Scan the QR or [click here](#)
to view the latest version

[Click to jump back to top](#)

Ursus Hinge 200 - Timber

3D adjustable hinge
9 pins 8,6x55 mm - for heavy doors.



Product Code	Diameter	Door weight	Finish	Packaging Unit
CI475180H502	18mm	200kg	Grey Plastified	2



Catalogue not up to date?
Scan the QR or [click here](#)
to view the latest version

[Click to jump back to top](#)

Invisi 310 Concealed Hinge - Heavy Duty

Concealed hinge for door weights up to 120kg, 3D adjustable.



Product Code	Description	Length (mm)	Width (mm)	Capacity (kg)	Colour / Finish	Packaging Unit
IN310190V703	Hinge IN310	190	31	120	satin silver	2
MU310190G002	Aluminium jig set IN310	-	-	-	-	1



Catalogue not up to date?
Scan the QR or [click here](#)
to view the latest version

[Click to jump back to top](#)

Dr Hahn Turband Hinge

Special Execution for Alu-Wood-profiles



Product Code	Description	Size (mm)	Surface	Colour	Packaging Unit
M9759H001_9005	3 Part Hinge	20-83	Coated	black	20

*Note: Maximum weight is 220kg depending on profile design. Please contact Siegware for more information

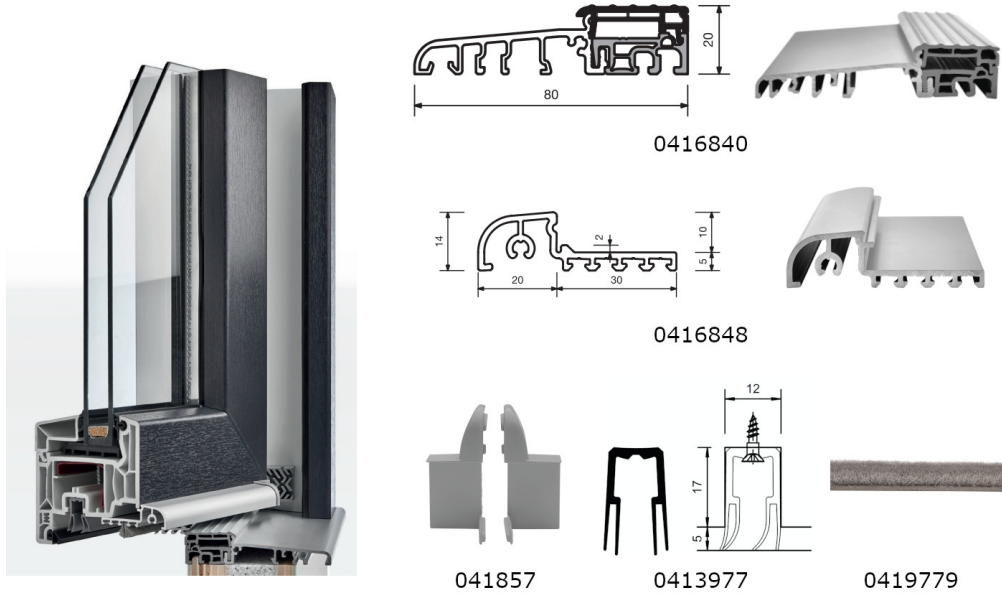


Catalogue not up to date?
Scan the QR or [click here](#)
to view the latest version

[Click to jump back to top](#)

blaugelb TB80 Inward Opening Threshold System

System can be used for uPVC, timber, timber-metal; threshold height 20mm.



Product Code	Description	Material	Size (mm)	Colour	Packaging Unit
0416840	TB80 inward opening threshold	aluminium	80	signal grey	6
0416848	AD2 weatherboard - Aluplast & Kommerling	aluminium	-	silver	6
0416857	Weatherboard end caps	uPVC	-	grey	1 pair
0419779	Weatherboard brush seal 10mm	plastic	-	grey	100
0413977	Sash groove door sill gasket	rubber	13	grey	11



Catalogue not up to date?
Scan the QR or [click here](#)
to view the latest version

[Click to jump back to top](#)

Alumat MFZ Renovation Profile

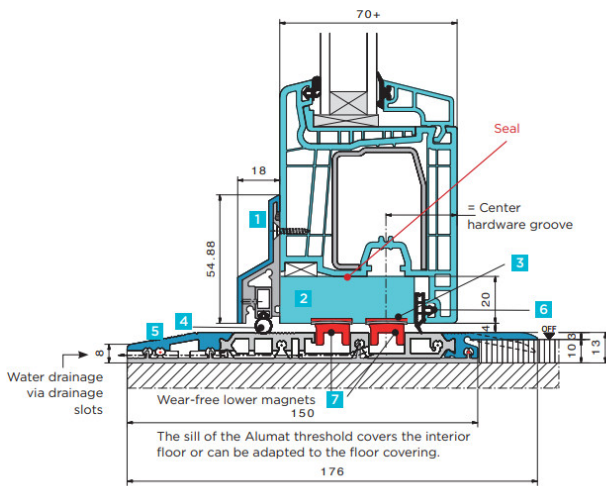
MFZ renovation profile has an extremely low installation height, can be easily set directly on every rough floor. The magnetic double seal adapts itself to a wide variety of installation conditions.

Product advantages:

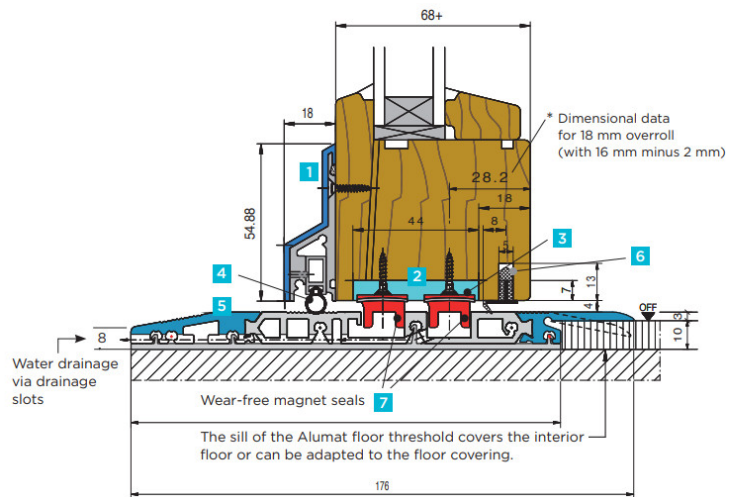
- Ready to install delivery according to client specification
- Thermally broken profile
- Compatible with turn doors, french doors, tilt and turn doors.
- No wear, no mechanics, 20 year warranty on magnetic tension force
- Evaluated gap noise insulation index up to 46dB

Kit includes:

- Barrier free threshold profile
- Weatherboard profile with cover and drop seal (Colour Options: EV1 Silver, White, Antracite or Blank)
- Drop seal magnets with carriers (to suit profile type)
- Rear TPE seal
- Additional accessory parts where required



MFZ20/1



MFZ10/1

Product Code	System	Packing Unit
MFZ10-KIT	Timber	Per Lineal Meter / Configuration Dependant - Contact Siegware for more information
MFZ20-KIT	uPVC	Per Lineal Meter / Configuration Dependant - Contact Siegware for more information



Catalogue not up to date?
Scan the QR or [click here](#)
to view the latest version

[Click to jump back to top](#)

Alumat MHT Renovation Profile

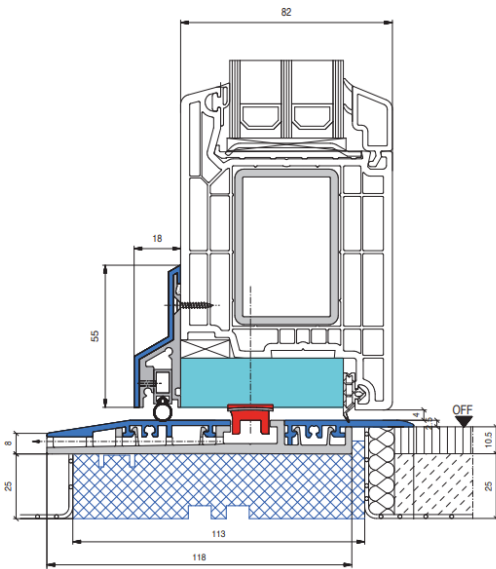
MHT renovation profile has an extremely low installation height, can be easily set directly on every rough floor. The magnetic single seal adapts itself to a wide variety of installation conditions but at a more affordable price point.

Product advantages:

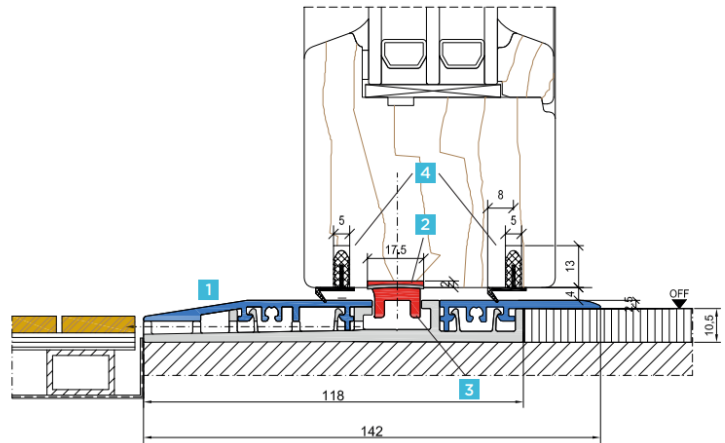
- Ready to install delivery according to client specification
- Thermally broken profile
- Compatible with turn doors, french doors, tilt and turn doors.
- No wear, no mechanics, 20 year warranty on magnetic tension force
- Evaluated gap noise insulation index up to 46dB

Kit includes:

- Barrier free threshold profile
- Weatherboard profile with cover and drop seal (Colour Options: EV1 Silver, White, Antracite or Blank)
- Drop seal magnet with carrier (to suit profile type)
- Rear TPE seal
- Additional accessory parts where required



MHT20/1



MHT10/1

Product Code	System	Packing Unit
MHT10-KIT	Timber	Per Lineal Meter / Configuration Dependant - Contact Siegware for more information
MHT20-KIT	uPVC	Per Lineal Meter / Configuration Dependant - Contact Siegware for more information



Catalogue not up to date?
Scan the QR or [click here](#)
to view the latest version

[Click to jump back to top](#)

Alumat MFAT Passive House Profile

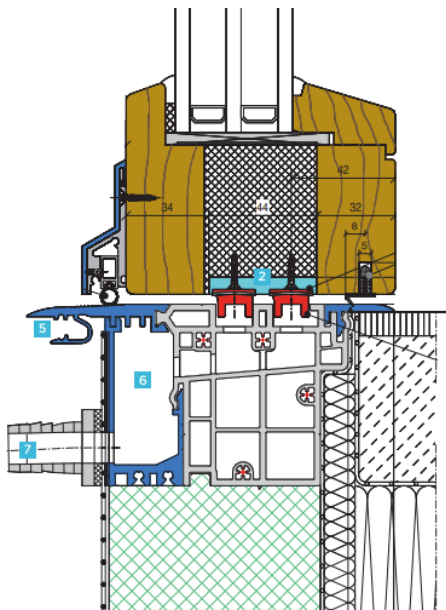
MFAT PH profile is an advanced barrier free threshold system suitable for use in Passivhaus applications. Featuring double magnetic seals, thermally broken design, insulation profiles and drainage ports. Additional clip on drainage channels also available upon request.

Product advantages:

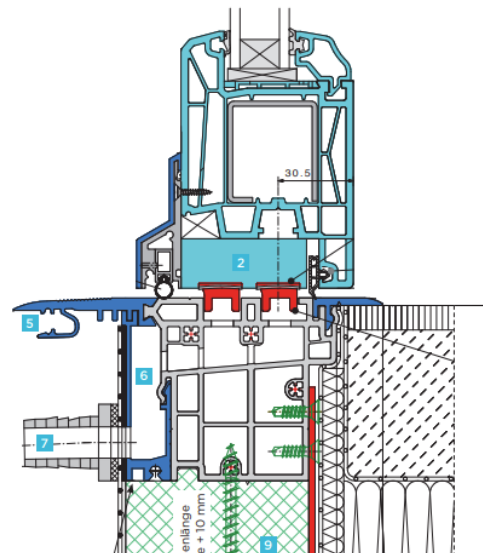
- Passivhaus certified component
- Ready to install delivery according to client specification
- Thermally broken profile
- Compatible with turn doors, french doors, tilt and turn doors.
- No wear, no mechanics, 20 year warranty on magnetic tension force
- Evaluated gap noise insulation index up to 46dB

Kit includes:

- Barrier free threshold profile
- Weatherboard profile with cover and drop seal (Colour Options: EV1 Silver, White, Antracite or Blank)
- Drop seal magnets with carriers (to suit profile type)
- Rear TPE seal
- Insulation profile
- Drainage ports (90° or 45°)
- Additional accessories available. Please contact Siegware for more information.



MFAT 10/2a PH



MFAT 20/2a PH

Product Code	System	Packing Unit
MFAT10PH-KIT	Timber	Per Lineal Meter / Configuration Dependant - Contact Siegware for more information
MFAT20PH-KIT	uPVC	Per Lineal Meter / Configuration Dependant - Contact Siegware for more information

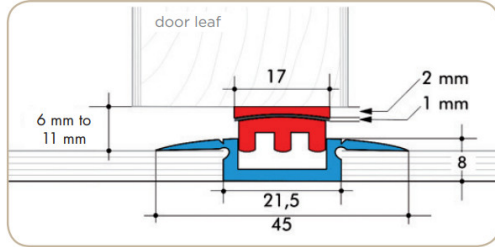


Catalogue not up to date?
Scan the QR or [click here](#)
to view the latest version

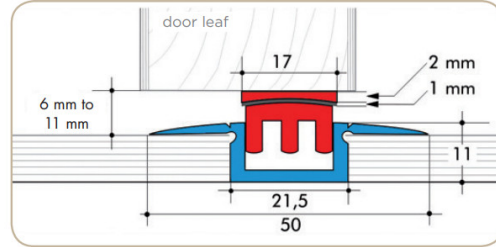
[Click to jump back to top](#)

Alumat Universal Floor Profile

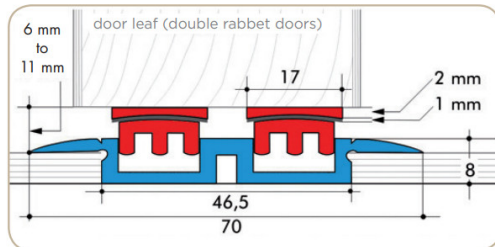
Aluminium floor profile with continuously rising magnetic threshold and magnetic counter profile for fitting at the lower door leaf edge. Grooving not required.



Model MTK 3
Starting from approx. 3 mm flooring / Magnetic force between upper and lower magnet profile (max. 5 mm)



Model MTK 6
starting from approx. 3 mm flooring / Magnetic force between upper and lower magnet profile (max. 5 mm)



Model MTK 32 for double rabbet doors
starting from approx. 3 mm flooring / Magnetic force between upper and lower magnet profile (max. 5 mm)

Product Code	Description	Model	Length (mm)	Colour/Finish	Packaging Unit
ALUMATMTK3860	Universal floor profile	MTK 3	860	silver anodized	1
ALUMATMTK3985	Universal floor profile	MTK 3	985	silver anodized	1
ALUMATMTK6860	Universal floor profile	MTK 6	860	silver anodized	1
ALUMATMTK6985	Universal floor profile	MTK 6	985	silver anodized	1
ALUMATMTK32860	Universal floor profile	MTK 32	860	silver anodized	1
ALUMATMTK32985	Universal floor profile	MTK 32	985	silver anodized	1

*Note: Larger sizes available on request. Magnets sold separately

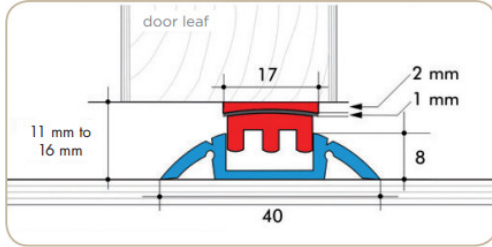


Catalogue not up to date?
Scan the QR or [click here](#)
to view the latest version

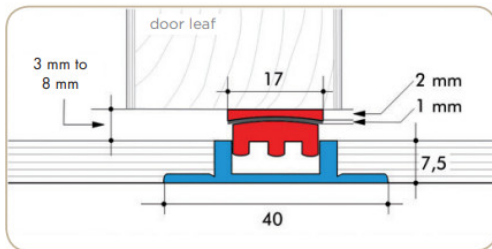
[Click to jump back to top](#)

Alumat Standard Floor Profile

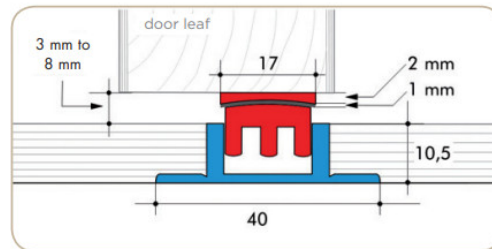
Aluminium floor profile with continuously rising magnetic threshold and magnetic counter profile for fitting at the lower door leaf edge. Grooving not required.



Model MA 1
on the flooring / Magnetic force between upper and lower magnet profile (max. 5 mm)



Model MF 1
starting from approx. 6 mm flooring / Magnetic force between upper and lower magnet profile (max. 5 mm)



Model MF 2
starting from approx. 9 mm flooring / Magnetic force between upper and lower magnet profile (max. 5 mm)

Product Code	Description	Model	Length (mm)	Colour/Finish	Packaging Unit
ALUMATMA1860	Standard floor profile	MA 1	860	silver anodized	1
ALUMATMF1985	Standard floor profile	MF 1	860	silver anodized	1
ALUMATMF2985	Standard floor profile	MF 2	985	silver anodized	1

*Note: Larger sizes available on request. Magnets sold separately

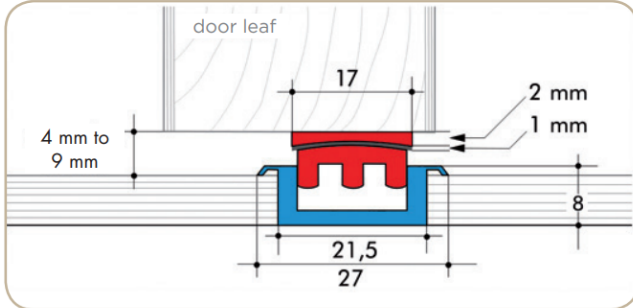


Catalogue not up to date?
Scan the QR or [click here](#)
to view the latest version

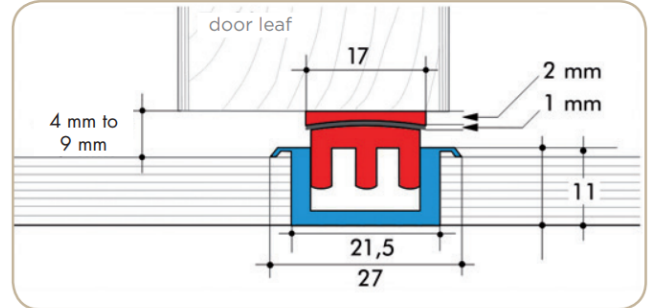
[Click to jump back to top](#)

Alumat Special Floor Profile

Aluminium floor profile with continuously rising magnetic threshold and magnetic counter profile for fitting at the lower door leaf edge. Grooving not required.



Model MFS 1
starting from approx. 6 mm flooring / Magnetic force between upper and lower magnet profile (max. 5 mm)



Model MFS 10
starting from approx. 9 mm flooring / Magnetic force between upper and lower magnet profile (max. 5 mm)

Product Code	Description	Model	Length (mm)	Colour/Finish	Packaging Unit
ALUMATMFS1860	Standard floor profile	MFS 1	860	silver anodized	1
ALUMATMFS10860	Standard floor profile	MFS 10	860	silver anodized	1

*Note: Larger sizes available on request. Magnets sold separately.



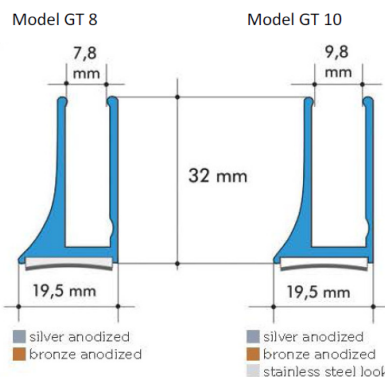
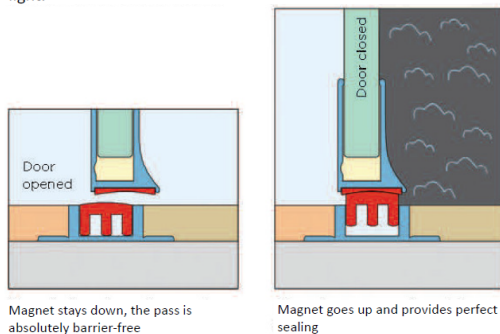
Catalogue not up to date?
Scan the QR or [click here](#)
to view the latest version

[Click to jump back to top](#)

Alumat Glass Door Add-on Profile

Magnetic door seal for glass doors.

100% sealing of the common door crack - anywhere where escape routes must remain smoke-free and rooms need much light.



For glass doors / Glass distance to the ALUMAT floor profile starting from approx. 7mm

Product features

- 20 year warranty on the magnetic force
- material separation rail not required
- optimum sealing effect, smokeproof according to DIN 18095, sound insulation DIN 52210 residual value 45 db

Product features

- easy installation, no vulnerable mechanics
- automatic adaptation to the door leaf, hence not affected by uneven flooring
- bridging of door cracks up to 16mm

COLD STOP stops draft air	NOISE STOP reduces sound	SMOKE STOP keeps escape routes free
-------------------------------------	------------------------------------	---

Product Code	Description	Model	Length (mm)	Colour/Finish	Packaging Unit
ALUMATGT8959	Special add-on profile	GT 8	959	silver anodized	1
ALUMATGT10959	Special add-on profile	GT 10	959	silver anodized	1

*Note: Larger sizes available on request. Magnets sold separately.

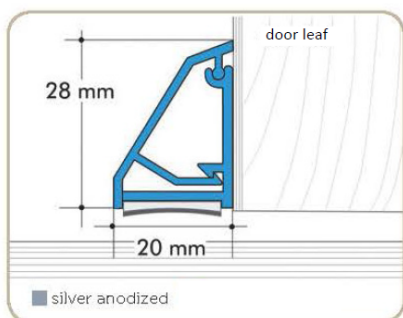


Catalogue not up to date?
Scan the QR or [click here](#)
to view the latest version

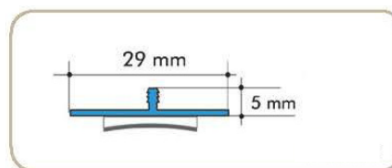
[Click to jump back to top](#)

Alumat Spare Parts and Accessories

Spare parts for magnets



MHT - Magnetic carrier profile for aluminium doors. Upper magnet sold separately.



OMT - Aluminium magnetic carrier profile (only required for stemmed frame doors)

17mm wide



Upper magnet - available in thicknesses of 2mm and 3mm

15mm wide



Lower magnet - available 6mm high

15mm wide



Lower magnet - available 9mm high, with 2 feet for exterior doors, and 3 feet for interior doors

Product Code	Description	Colour/Finish	Packing Unit
5899	Upper Magnet 3 x 17mm	black	Linear Metre
5870	Lower Magnet 9 x 15mm	black	Linear Metre
5983	TPE Seal for Timber Profiles	Graphite Grey	Linear Metre
6085_ALUP	TPE Seal for uPVC - Aluplast / Veka	Grey	Linear Metre
6085_KOMM	TPE Seal for uPVC - Kommerling	Grey	Linear Metre
6085_DEC	TPE Seal for uPVC - Deceuninck / Inoutic	Grey	Linear Metre
6055-GRY	Accessory Bag for Weatherboard (Cover caps and fasteners)	Grey	1
6055-WHT	Accessory Bag for Weatherboard (Cover caps and fasteners)	White	1
6055-ANT	Accessory Bag for Weatherboard (Cover caps and fasteners)	Anthracite	1
6291-45	MFAT Drainage Port 45°	Grey	1
6291-90	MFAT Drainage Port 90°	Grey	1

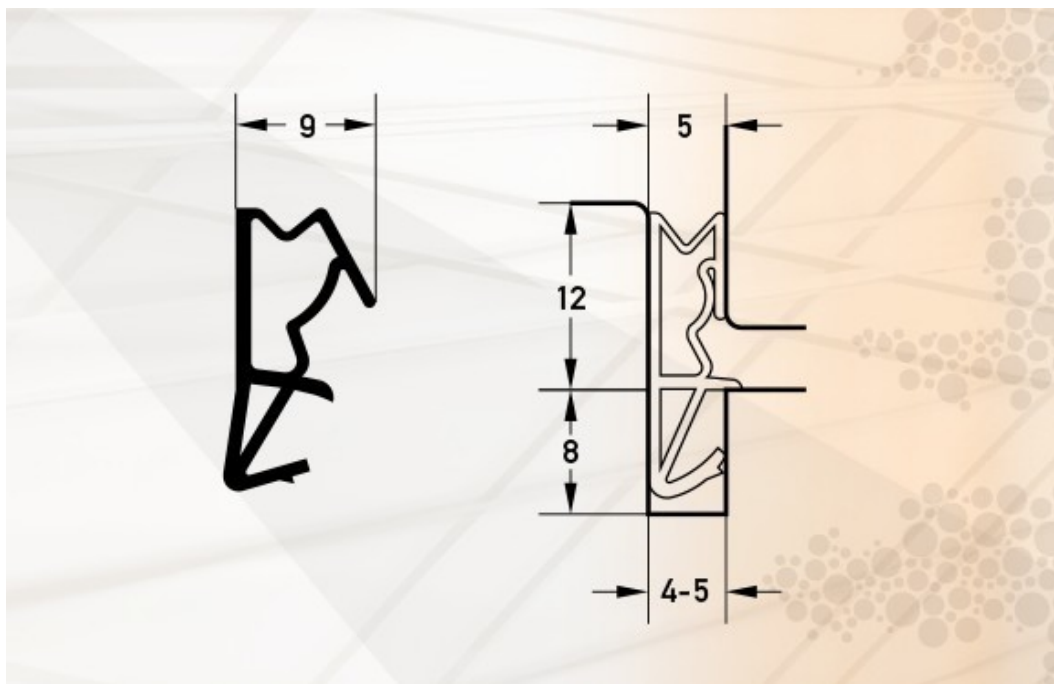


Catalogue not up to date?
Scan the QR or [click here](#)
to view the latest version

[Click to jump back to top](#)

Deventer 6512A Black Seal

Window sash rebate seal



Product Code	Description	Length	Packaging Unit
798549	S 6512A Black Seal	180m	1
203014	S 6512A Black Seal	150m	1

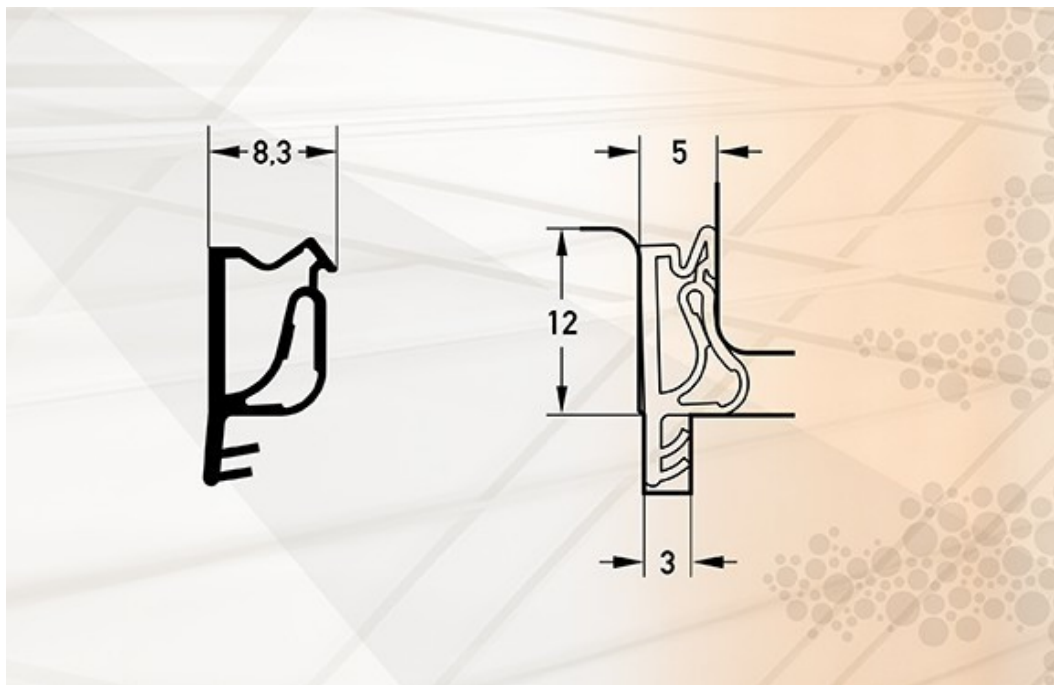


Catalogue not up to date?
Scan the QR or [click here](#)
to view the latest version

[Click to jump back to top](#)

Deventer 7503 Seals

Gasket for the sash rebate, middle rebate and flap of windows and French doors made of wood and wood-aluminum with a favorable pivot point.



Product Code	Description	Length	Packaging Unit
826843	S 7503A White Seal	150m	1
818252	S 7503B Brown Seal	150m	1
826842	S 7503B Black Seal	150m	1

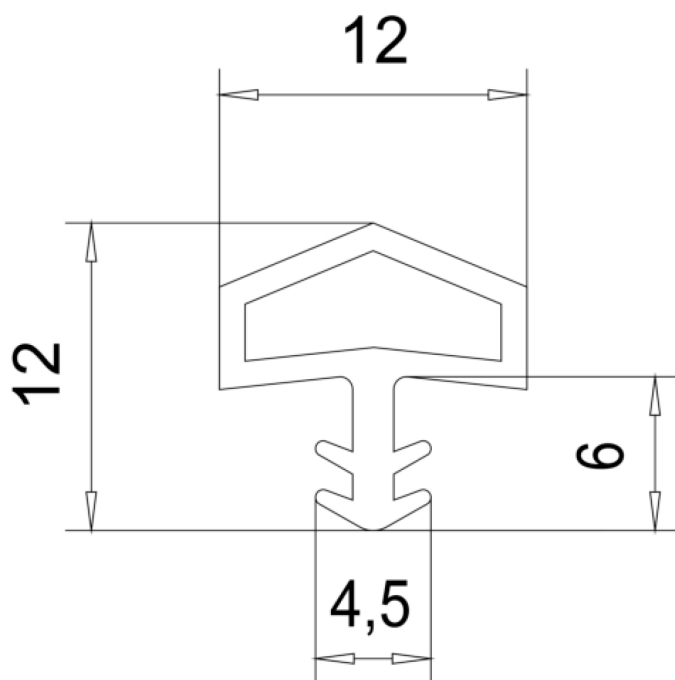


Catalogue not up to date?
Scan the QR or [click here](#)
to view the latest version

[Click to jump back to top](#)

MTEC Timber Frame Gasket

Extruded seal designed for internal timber frames



Product Code	Description	Length	Colour	Packaging Unit
0009052834	Timber frame gasket	5	white	1
0009052835	Timber frame gasket	5	beige	1

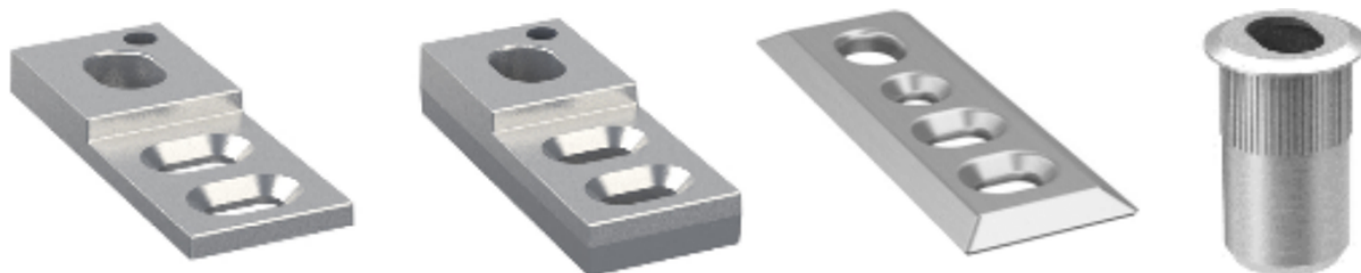


Catalogue not up to date?
Scan the QR or [click here](#)
to view the latest version

[Click to jump back to top](#)

Medos Shoot Bolt Stricker

Generic shoot bolt strickers for french doors.



Product Code	Description	Packaging Unit
80100000000H	Bottom metal bush	1
80100000001H	Bottom metal plate catch	1
80100001002H	10mm high upper metal plate catch	1
80100000603H	6mm high upper metal plate catch	1

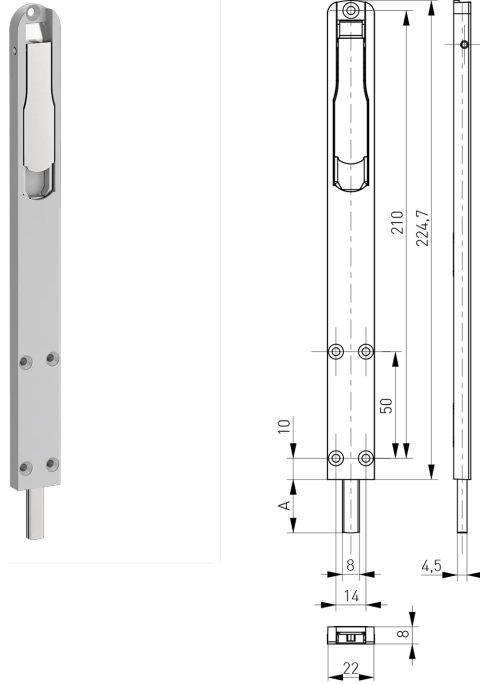


Catalogue not up to date?
Scan the QR or [click here](#)
to view the latest version

[Click to jump back to top](#)

Medos Door Latch - Long

Medos door latch for french doors. **225mm**



Product Code	Description	Latch Length	Bolt Length	Colour	Packaging Unit
8019006M2500H	Door Latch	225mm	25mm	9006 - white aluminium	1
8019005M2500H	Door Latch	225mm	25mm	9005 - matt black	1
80190162500H	Door Latch	225mm	25mm	9016 - white	1

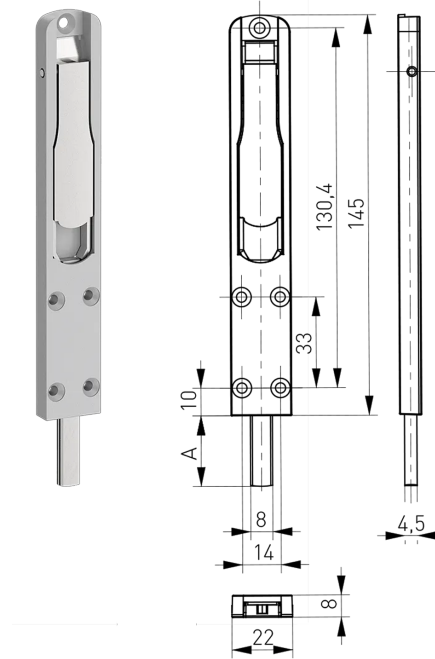


Catalogue not up to date?
Scan the QR or [click here](#)
to view the latest version

[Click to jump back to top](#)

Medos Door Latch - Short

Medos door latch for french doors. **145mm**



Product Code	Description	Latch Length	Bolt Length	Colour	Packaging Unit
8029006M2500H	Door Latch	145mm	25mm	9006 - white aluminium	1
8029005M2500H	Door Latch	145mm	25mm	9005 - matt black	1
80290162500H	Door Latch	145mm	25mm	9016 - white	1



Catalogue not up to date?
Scan the QR or [click here](#)
to view the latest version

[Click to jump back to top](#)

Peephole

Apartment entrance door peephole



Product Code	Description	Outer Diameter	Material	Colour	Door Thickness	Packaging Unit
185212	Peephole	14mm	Polish chrome-plated	silver	35-60mm	1

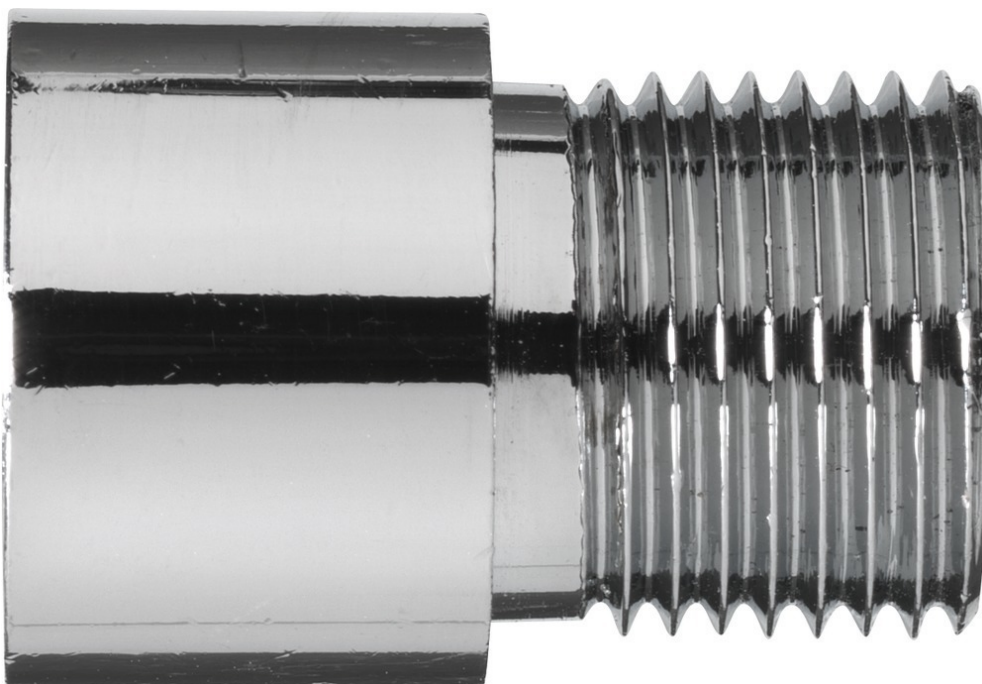


Catalogue not up to date?
Scan the QR or [click here](#)
to view the latest version

[Click to jump back to top](#)

Extension for peephole

Apartment entrance door extension for peephole



Product Code	Description	Outer Diameter	Material	Colour	Extension min	Extension max	Packaging Unit
129617	Extension for peephole	14mm	brass	silver	10mm	17mm	1

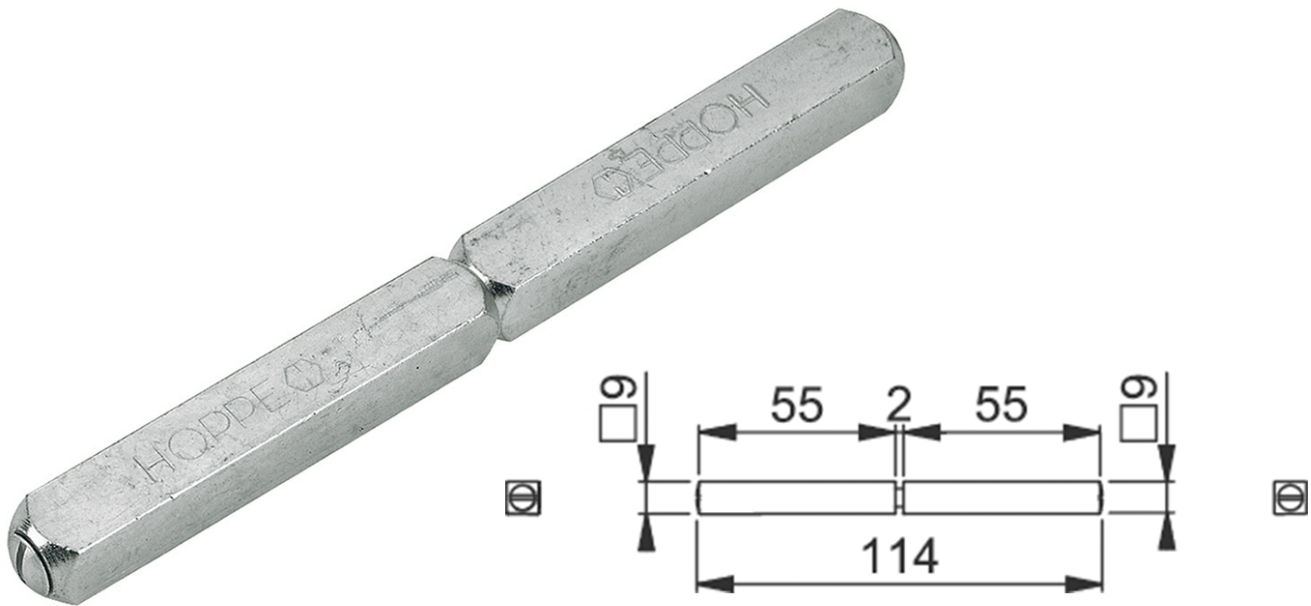


Catalogue not up to date?
Scan the QR or [click here](#)
to view the latest version

[Click to jump back to top](#)

Panic Pin

Split spindle suitable for panic locks. Suitable for fire rated applications and emergency exits.



Product Code	Description	Dimensions (mm)	Packaging Unit
4841346	Panic pin	9 x 114	1

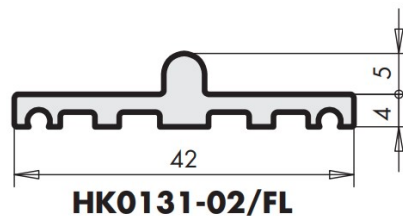
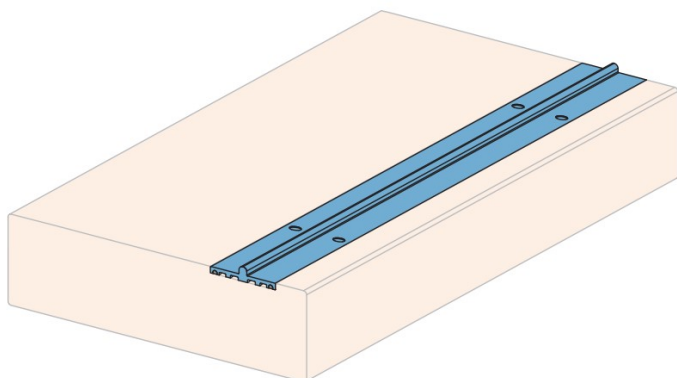


Catalogue not up to date?
Scan the QR or [click here](#)
to view the latest version

[Click to jump back to top](#)

Siegenia HS 5mm Running Rail

Running rail for timber thresholds.



Product Code	Description	Length (mm)	Height (mm)	Material	Packaging Unit
135280	Running rail	5000	5	aluminium	1

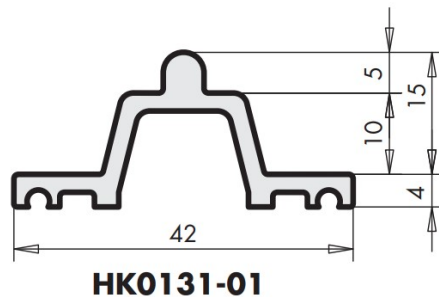
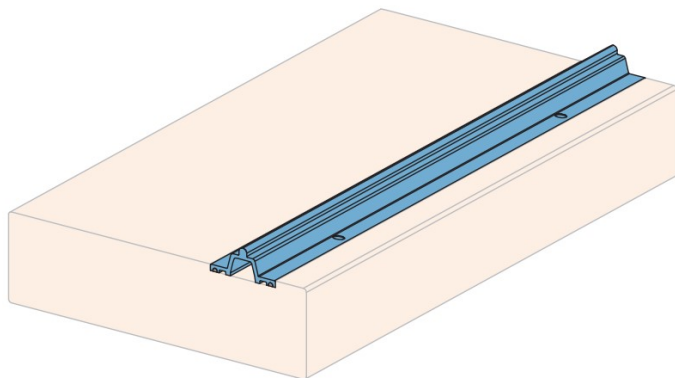


Catalogue not up to date?
Scan the QR or [click here](#)
to view the latest version

[Click to jump back to top](#)

Siegenia HS 15mm Running Rail

Running rail for timber thresholds.



Product Code	Description	Length (mm)	Height (mm)	Material	Packaging Unit
129586	Running rail	4500	15	aluminium	1
129647	Running rail	6700	15	aluminium	1

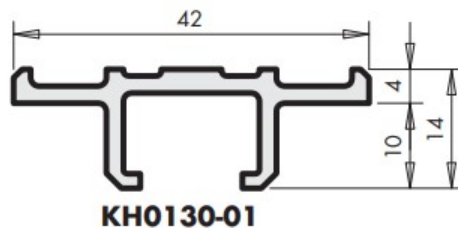
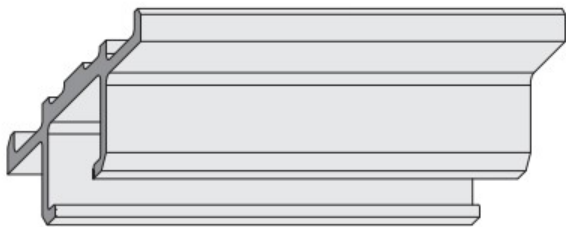


Catalogue not up to date?
Scan the QR or [click here](#)
to view the latest version

[Click to jump back to top](#)

Siegenia HS Guide Rail

Guide rail for timber frame head.



Product Code	Description	Length (mm)	Material	Packaging Unit
130902	Guiding rail	4000	aluminium	1

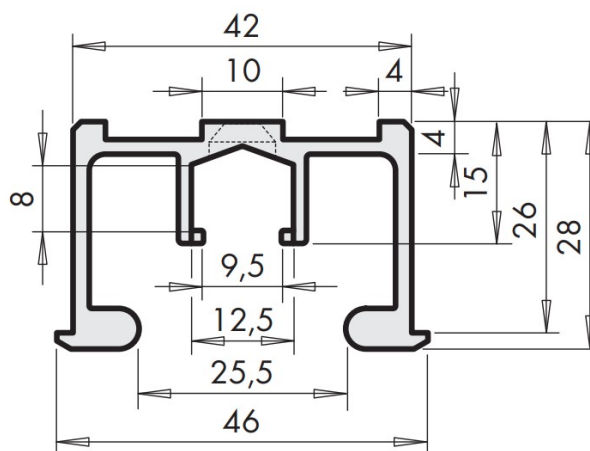
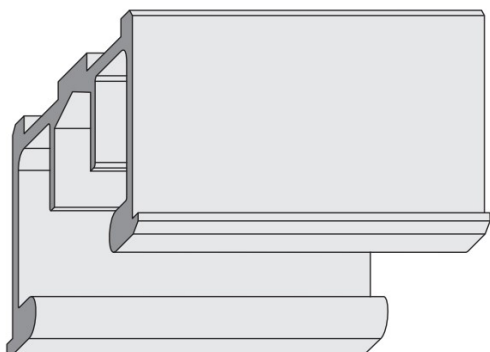


Catalogue not up to date?
Scan the QR or [click here](#)
to view the latest version

[Click to jump back to top](#)

Siegenia HS Guide Rail SC001

Guide rail for timber frame head and soft close stopper



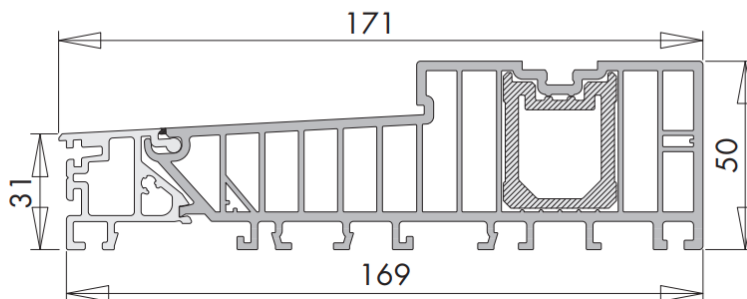
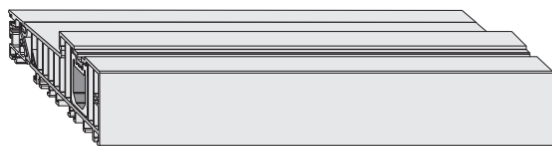
Product Code	Description	Length (mm)	Material	Packaging Unit
PPFB0350-524010	Guiding rail SC001	4500	aluminium	1



Catalogue not up to date?
Scan the QR or [click here](#)
to view the latest version

[Click to jump back to top](#)

Siegenia HS Eco Pass B171 Threshold



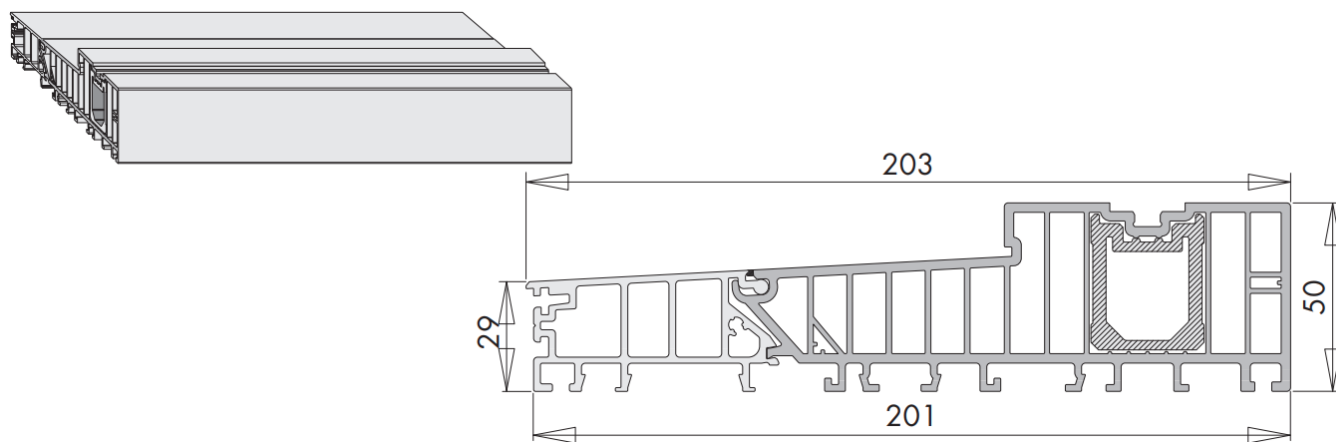
Product Code	Description	Length (mm)	Material	Packaging Unit
PPBB1750-524010	Threshold EP B171	5700	aluminium & plastic	1



Catalogue not up to date?
Scan the QR or [click here](#)
to view the latest version

[Click to jump back to top](#)

Siegenia HS Eco Pass B203 Threshold



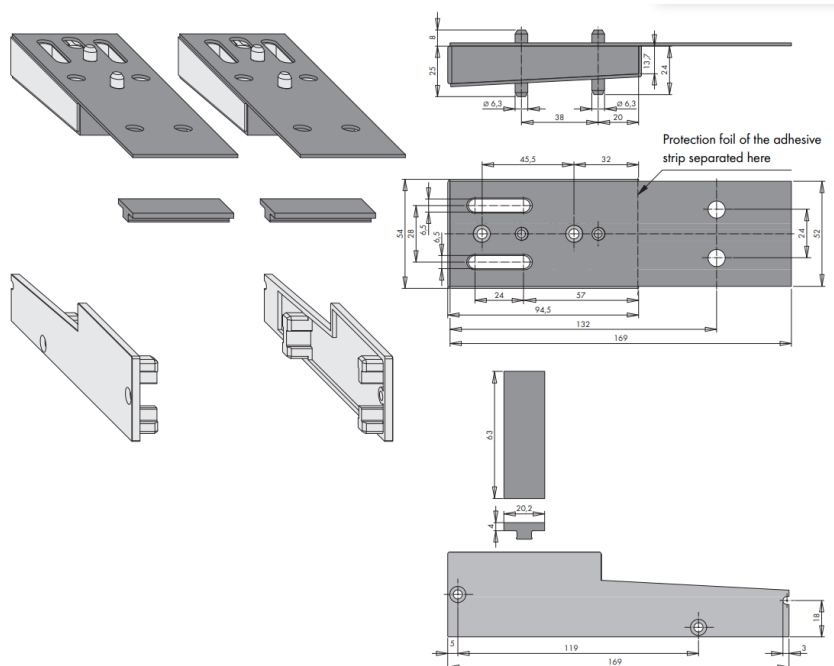
Product Code	Description	Length (mm)	Material	Packaging Unit
PPBB1770-524010	Threshold EP B171	5700	aluminium & plastic	1



Catalogue not up to date?
Scan the QR or [click here](#)
to view the latest version

[Click to jump back to top](#)

Siegenia HS Eco Pass B171 Connection Kit



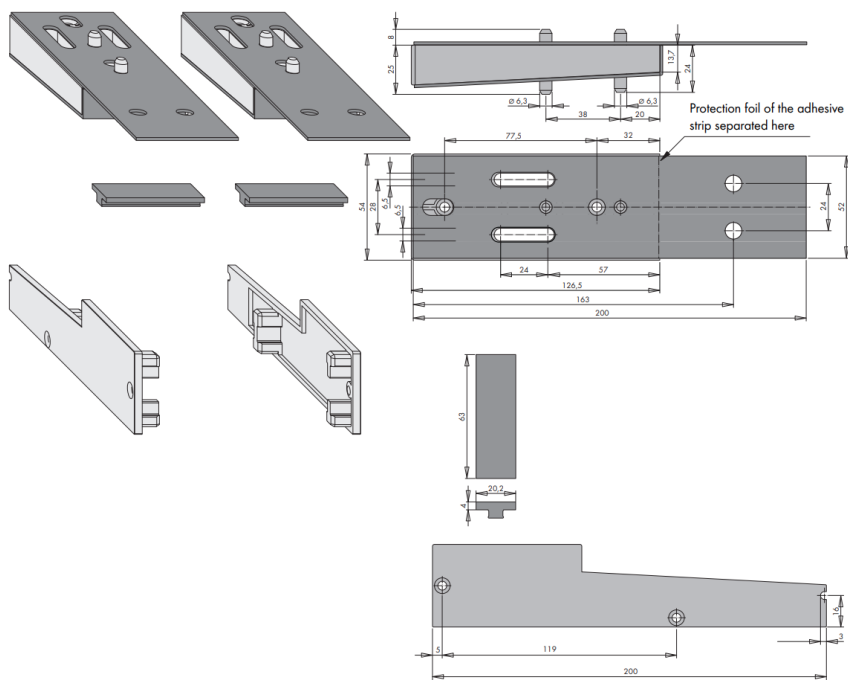
Product Code	Description	Packaging Unit
PMRB1150-021010	Eco Pass connect kit - B171	1



Catalogue not up to date?
Scan the QR or [click here](#)
to view the latest version

[Click to jump back to top](#)

Siegenia HS Eco Pass B203 Connection Kit



Product Code	Description	Packaging Unit
PMRB1170-021010	Eco Pass connect kit - B203	1

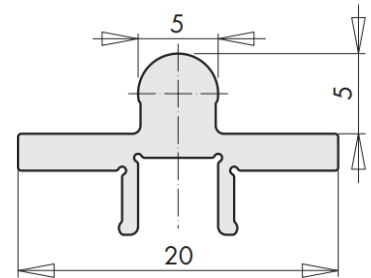


Catalogue not up to date?
Scan the QR or [click here](#)
to view the latest version

[Click to jump back to top](#)

Siegenia HS Eco Pass Running Rail M5

Inline running rail for Eco Pass thresholds.



Product Code	Description	Height (mm)	Length (mm)	Material	Packaging Unit
PPLB6040-524020	Running rail	5	4500	aluminium	1
PPLB6180-524020	Running rail	5	5700	aluminium	1

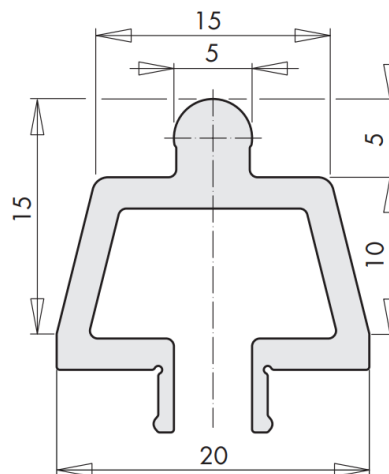


Catalogue not up to date?
Scan the QR or [click here](#)
to view the latest version

[Click to jump back to top](#)

Siegenia HS Eco Pass Running Rail M15

Inline running rail for Eco Pass thresholds.



Product Code	Description	Height (mm)	Length (mm)	Material	Packaging Unit
PPLB6150-524010	Running rail	15	5700	aluminium	1



Catalogue not up to date?
Scan the QR or [click here](#)
to view the latest version

[Click to jump back to top](#)

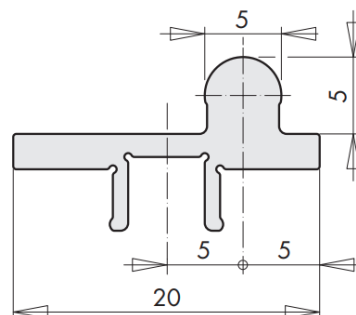
Siegenia HS Eco Pass Running Rail 5/5

Off set running rail for Eco Pass thresholds.

PLUS 5 mm



MINUS 5 mm



Product Code	Description	Length (mm)	Height (mm)	Offset (mm)	Material	Packaging Unit
PPLB5190-524020	Running rail	4500	5	5	aluminium	1
PPLB6200-524020	Running rail	5700	5	5	aluminium	1



Catalogue not up to date?
Scan the QR or [click here](#)
to view the latest version

[Click to jump back to top](#)

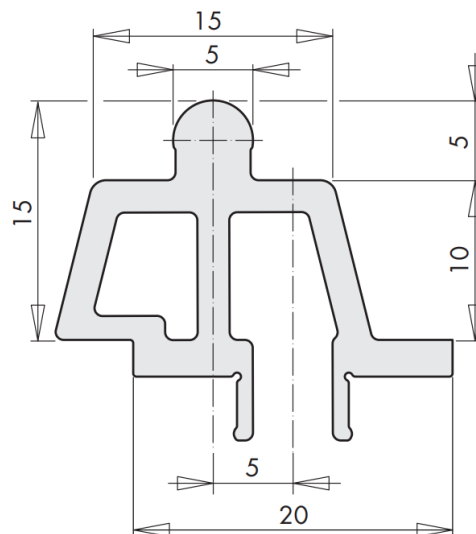
Siegenia HS Eco Pass Running Rail 5/15

Off set running rail for Eco Pass thresholds.

PLUS 5 mm



MINUS 5 mm



Product Code	Description	Length (mm)	Height (mm)	Offset (mm)	Material	Packaging Unit
PPLB6230-524010	Running rail	5700	15	5	aluminium	1

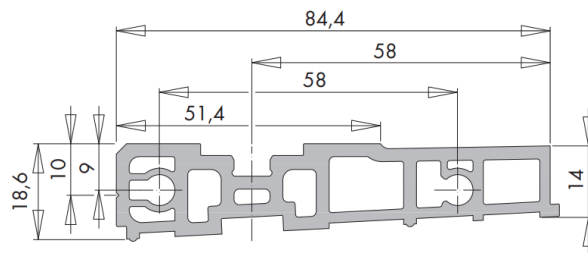


Catalogue not up to date?
Scan the QR or [click here](#)
to view the latest version

[Click to jump back to top](#)

Siegenia HS Eco Pass B171 Support Rail

Support rail for Eco Pass threshold.



Product Code	Description	Length (mm)	Material	Packaging Unit
PPZB5150-021010	Support rail B171	4500	aluminium	1

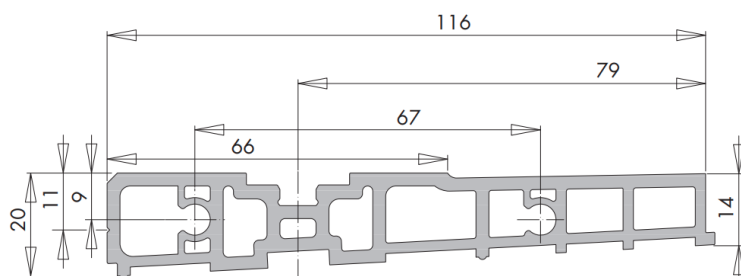


Catalogue not up to date?
Scan the QR or [click here](#)
to view the latest version

[Click to jump back to top](#)

Siegenia HS Eco Pass B203 Support Rail

Support rail for Eco Pass threshold.



Product Code	Description	Length (mm)	Material	Packaging Unit
PPZB5020-021010	Support rail B203	3500	aluminium	1
PPZB5140-021010	Support rail B203	4500	aluminium	1

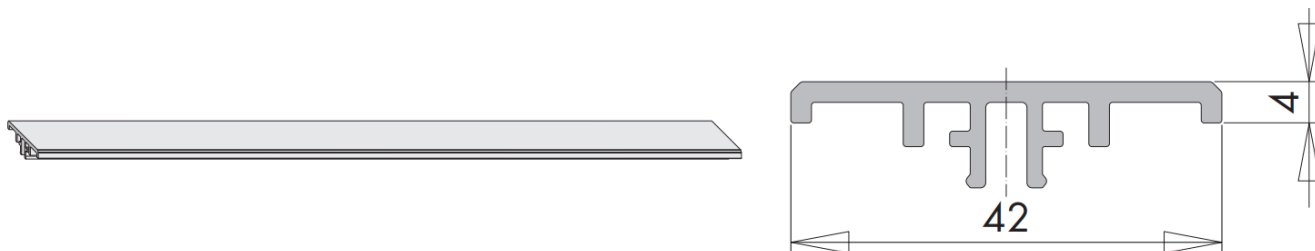


Catalogue not up to date?
Scan the QR or [click here](#)
to view the latest version

[Click to jump back to top](#)

Siegenia HS Eco Pass HM Inline Adapter Rail

Adapter rail for Eco Pass threshold.



Product Code	Description	Height (mm)	Length (mm)	Material	Packaging Unit
PPZB5200-021010	Inline adapter rail	4	4500	plastic	1

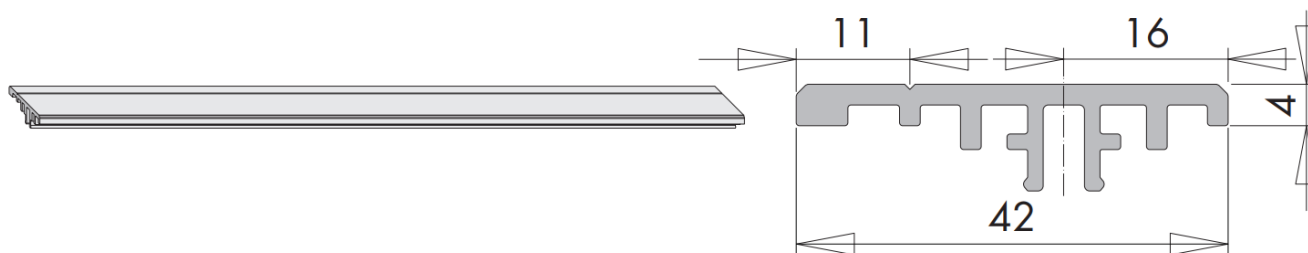


Catalogue not up to date?
Scan the QR or [click here](#)
to view the latest version

[Click to jump back to top](#)

Siegenia HS Eco Pass H5 Off set Adapter Rail

Adapter rail for Eco Pass threshold.



Product Code	Description	Height (mm)	Offset (mm)	Length (mm)	Packaging Unit
PPZB5170-021010	Off set adapter rail	4	5	4500	1

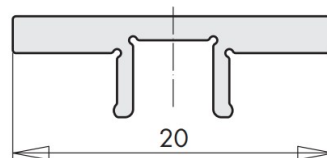
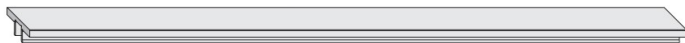


Catalogue not up to date?
Scan the QR or [click here](#)
to view the latest version

[Click to jump back to top](#)

Siegenia HS Eco Pass Filler Track

Filler piece for Eco Pass thresholds.



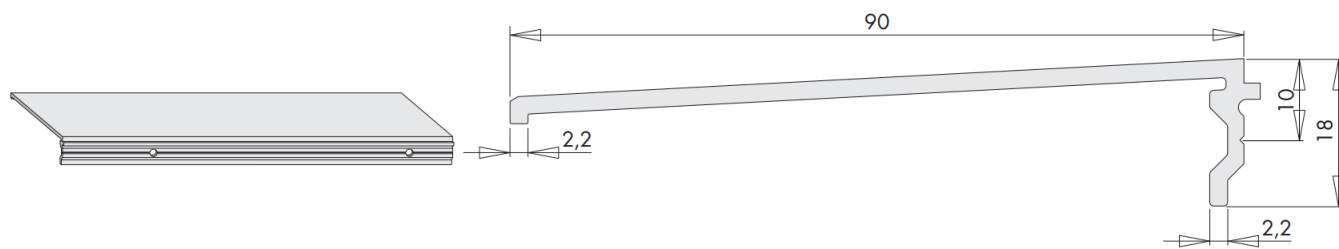
Product Code	Description	Length (mm)	Material	Packaging Unit
PPZB6250-021010	Filler track	3500	plastic	1



Catalogue not up to date?
Scan the QR or [click here](#)
to view the latest version

[Click to jump back to top](#)

Siegenia HS Eco Pass B90 Drip Rail



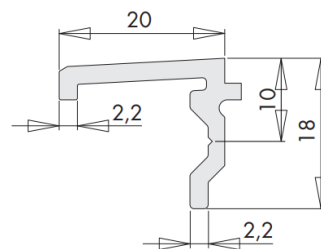
Product Code	Description	Width (mm)	Length (mm)	Packaging Unit
PPWB0210-524010	Drip rail EP B90	90	5700	1



Catalogue not up to date?
Scan the QR or [click here](#)
to view the latest version

[Click to jump back to top](#)

Siegenia HS Eco Pass B20 Drip Rail



Product Code	Description	Width (mm)	Length (mm)	Packaging Unit
PPWB0180-524010	Drip rail EP B20	20	5700	1



Catalogue not up to date?
Scan the QR or [click here](#)
to view the latest version

[Click to jump back to top](#)

Siegenia HS150 Basic Carton

Lift and slide bogie wheels for up to 150kg.



Product Code	Description	System	Weight (kg)	Colour	Packaging Unit
281031	HS 150 bogie set	timber	150	titan silver	1

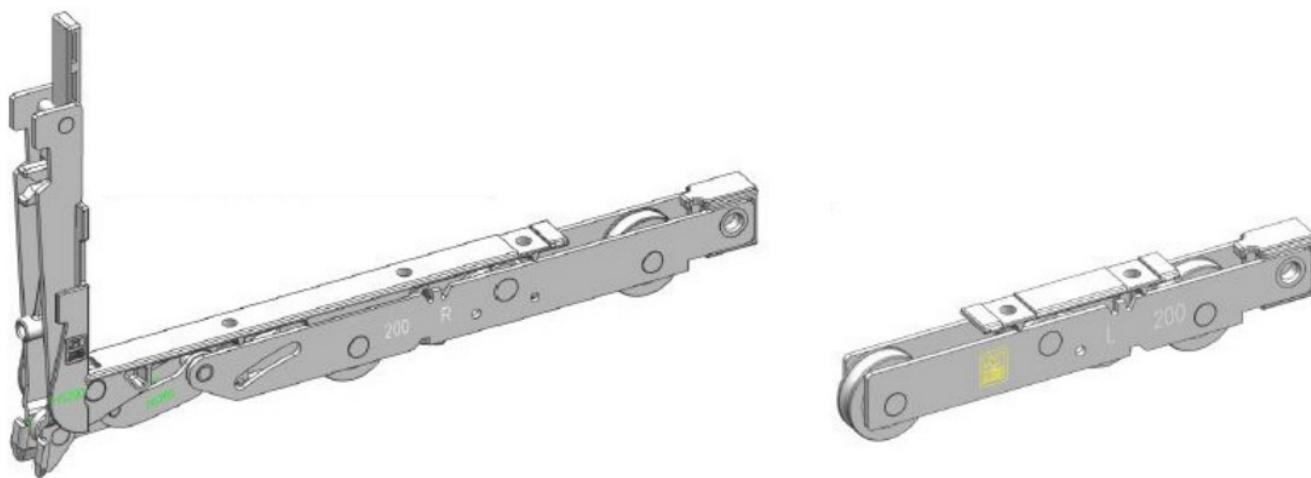


Catalogue not up to date?
Scan the QR or [click here](#)
to view the latest version

[Click to jump back to top](#)

Siegenia HS200 Basic Carton

HS200 bogie wheels.



Product Code	Description	System	Weight (kg)	Colour	Packaging Unit
PMKB0500-100010	Basic carton	timber	200	titan silver	1
PMKB0510-100010	Basic carton scheme C	timber	200	titan silver	1



Catalogue not up to date?
Scan the QR or [click here](#)
to view the latest version

[Click to jump back to top](#)

Siegenia HS300 Basic Carton

HS300 bogie wheels.

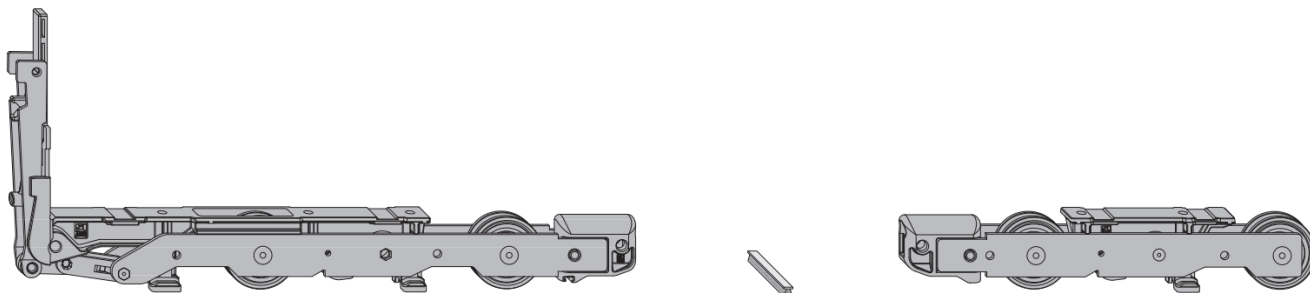


Fig. 57: Basic carton HS 300

Product Code	Description	Weight (kg)	Colour	Packaging Unit
PMKB0300-100010	Basic carton with brush	300	titan silver	1
PMKB0030-100011	Basic carton without brush	300	titan silver	1
PMKB1320-100010	Basic carton (kommerling 8.5)	300	titan silver	1



Catalogue not up to date?
Scan the QR or [click here](#)
to view the latest version

[Click to jump back to top](#)

Siegenia HS300 Scheme C Basic Carton

HS300 bogie wheels for Scheme C.

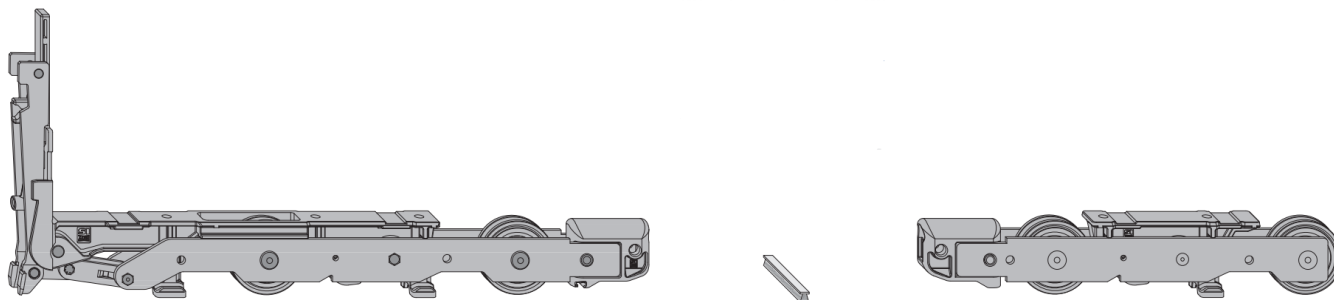


Fig. 58: Basic carton HS 300-C

Product Code	Description	Weight (kg)	Colour	Packaging Unit
PMKB0310-100010	Basic carton c with brush	300	titan silver	1
PMKB0310-X00010	Basic carton c with brush	300	stainless steel	1
PMKB0310-200010	Basic carton c with brush	300	E-Look	1
PMKB1330-100010	Basic carton c (kommerling 8.5)	300	Silver	1



Catalogue not up to date?
Scan the QR or [click here](#)
to view the latest version

[Click to jump back to top](#)

Siegenia HS300-HV Basic Carton - Adjustable

HS300 bogie wheels, with rear height adjustment.

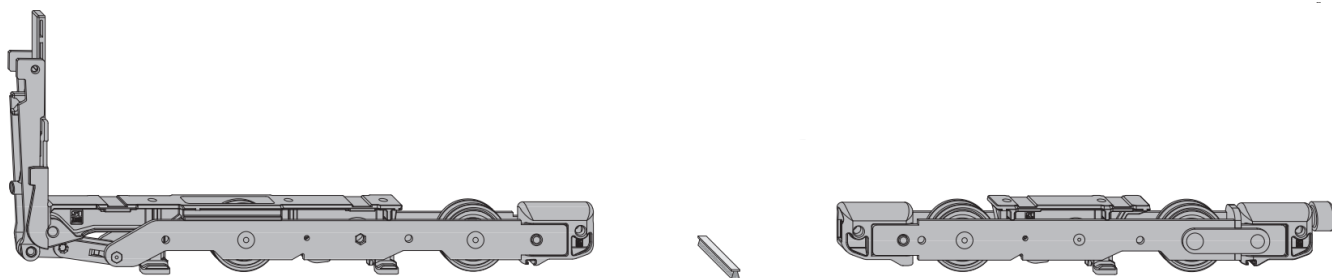


Fig. 59: Basic carton HS 300-HV

Product Code	Description	Weight (kg)	Colour	Packaging Unit
PMKB0320-100010	Basic carton with brush	300	titan silver	1



Catalogue not up to date?
Scan the QR or [click here](#)
to view the latest version

[Click to jump back to top](#)

Siegenia HS300-HV Scheme C Carton - Adjustable

HS300 bogie wheels for Scheme C, with rear height adjustment.

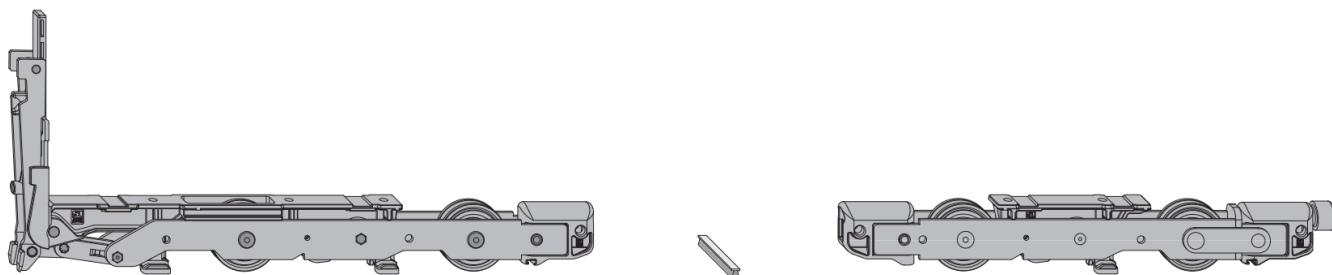


Fig. 60: Basic carton HS 300-HV

Product Code	Description	Weight (kg)	Colour	Packaging Unit
PMKB0330-100010	Basic carton with brush	300	titan silver	1



Catalogue not up to date?
 Scan the QR or [click here](#)
 to view the latest version

[Click to jump back to top](#)

Siegenia HS400 Compact. Schemes A & C

Compact bogie wheels for up to 400kg.



Product Code	Description	Type	Weight (kg)	Colour	Packaging Unit
PMKB1400-100010	Compact bogies with track brush	Scheme A	400	titan silver	1
PMKB1410-100010	Compact bogies with track brush	Scheme C	400	titan silver	1

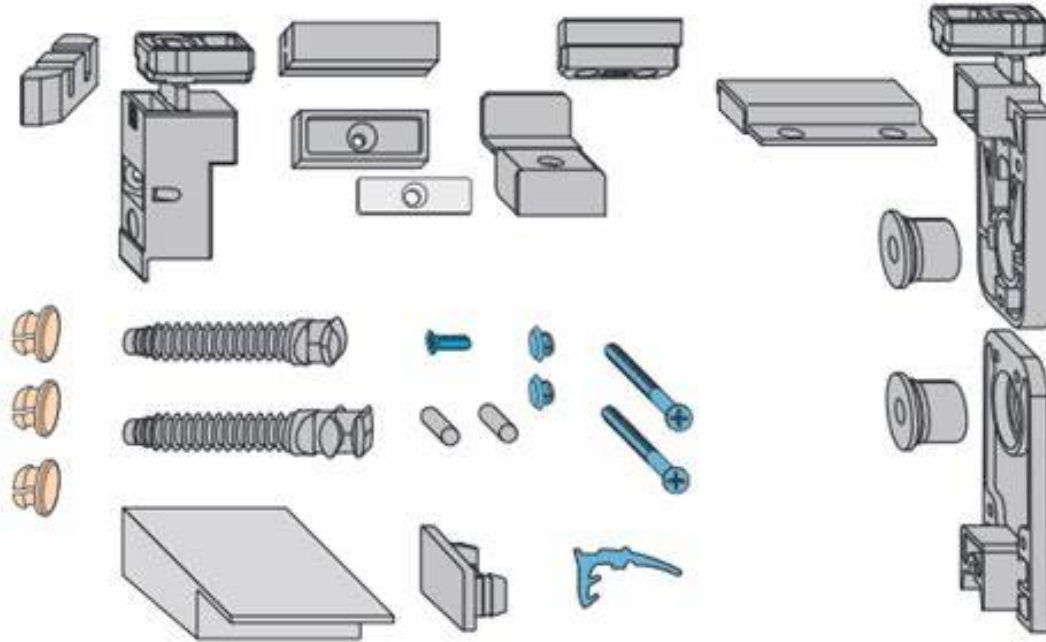


Catalogue not up to date?
Scan the QR or [click here](#)
to view the latest version

[Click to jump back to top](#)

Siegenia HS300 Additional Carton - KH0130-01

Additional carton for timber system KH0130-01.



Product Code	Description	Colour	Surface	Packaging Unit
PMKB0120-123010	Additional carton for KH0130-01 system	black	titan silver	1
PMKB0120-223010	Additional carton for KH0130-01 system	black	E-LOOK Coastal	1

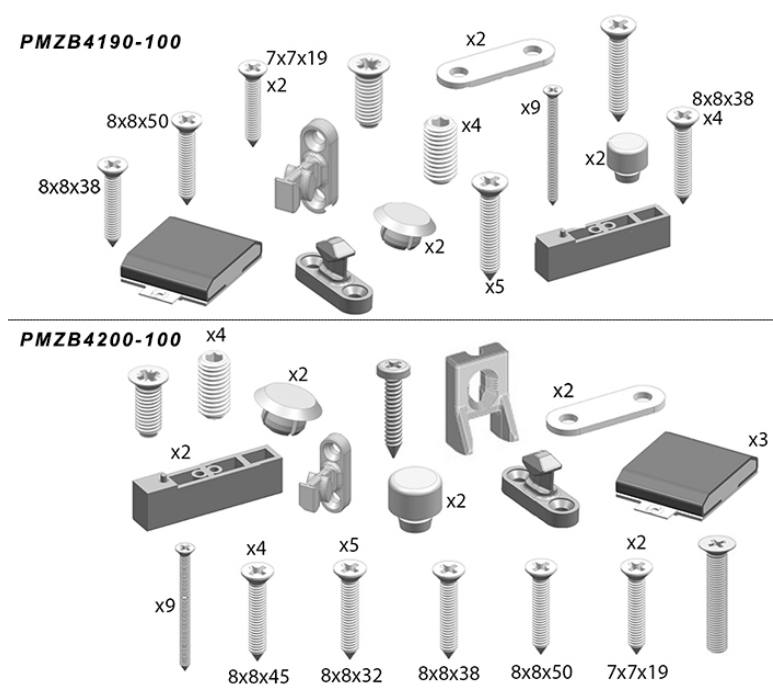


Catalogue not up to date?
Scan the QR or [click here](#)
to view the latest version

[Click to jump back to top](#)

Siegenia HS300 Aluplast HST85 Additional Cartons

HS300 bogie kit and accessories for Aluplast HST85 system.



Product Code	Description	System	Packaging Unit
PMZB4190-100010	Additional carton - Scheme A components only	Aluplast HST85	1
PMZB4200-100010	Additional carton - Scheme A & C components	Aluplast HST85	1

*Note: When ordering please include basic carton and additional carton.

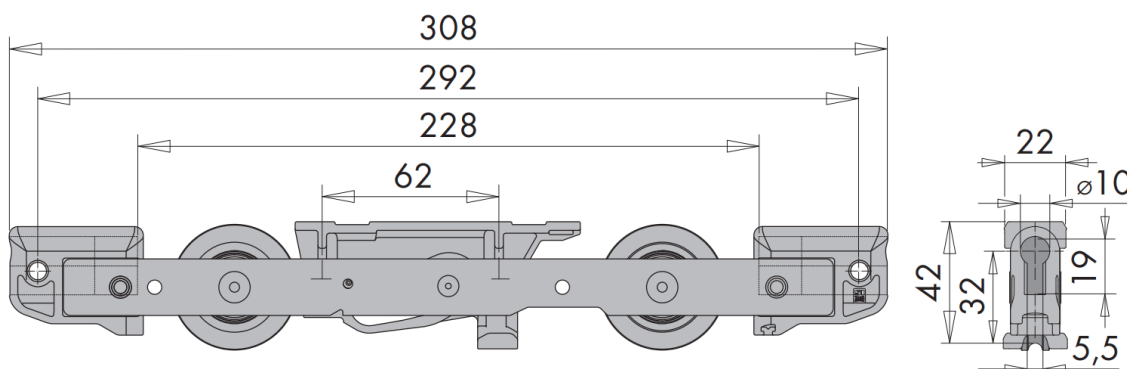
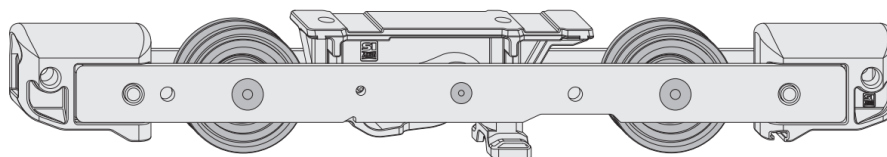


Catalogue not up to date?
Scan the QR or [click here](#)
to view the latest version

[Click to jump back to top](#)

Siegenia HS400 Additional Bogie -TITAN Silver Coating

To be used in conjunction with HS300 bogies to create HS400.



Product Code	Description	Weight (kg)	Surface	Packaging Unit
PLWB0050-100010	Additional bogie wheels for HS400	400	titan silver	1
PLWB0050-200010	Additional bogie wheels for HS400	400	titan silver	1

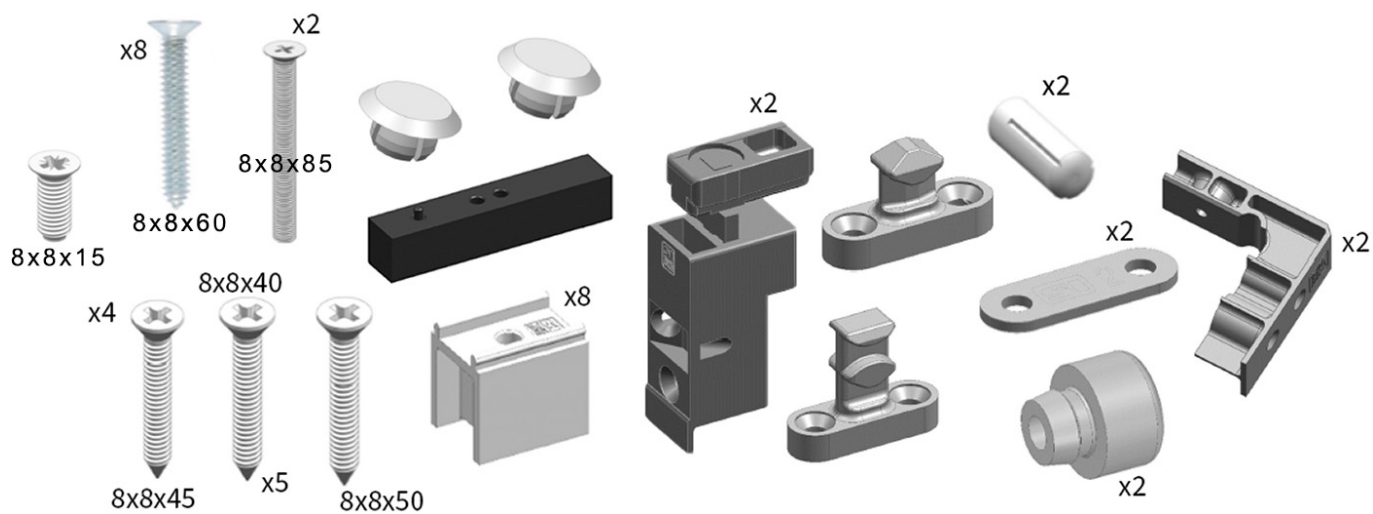
*Note: Two additional bogies required.



Catalogue not up to date?
Scan the QR or [click here](#)
to view the latest version

[Click to jump back to top](#)

Deceuninck HS76 Additional Cartons



Product Code	Description	System	Packaging Unit
PMZB4950-100010	Additional carton - Scheme A components only	Deceuninck	1



Catalogue not up to date?
Scan the QR or [click here](#)
to view the latest version

[Click to jump back to top](#)

Siegenia HS-H Additional Carton

Additional carton for 5mm bottom running tracks.



Product Code	Description	Colour	Packaging Unit
PMZB1400-021010	Additional carton - 5mm track	black	1

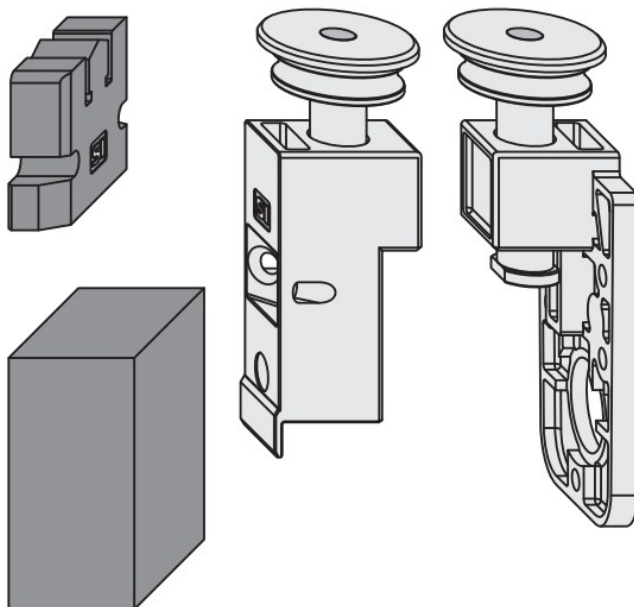


Catalogue not up to date?
Scan the QR or [click here](#)
to view the latest version

[Click to jump back to top](#)

Siegenia SC001 Additional Carton

Additional carton for SC001 soft close guide track.



Product Code	Description	Colour	Packaging Unit
PMZB0640-023010	Additional carton SC001 guide track	black	1

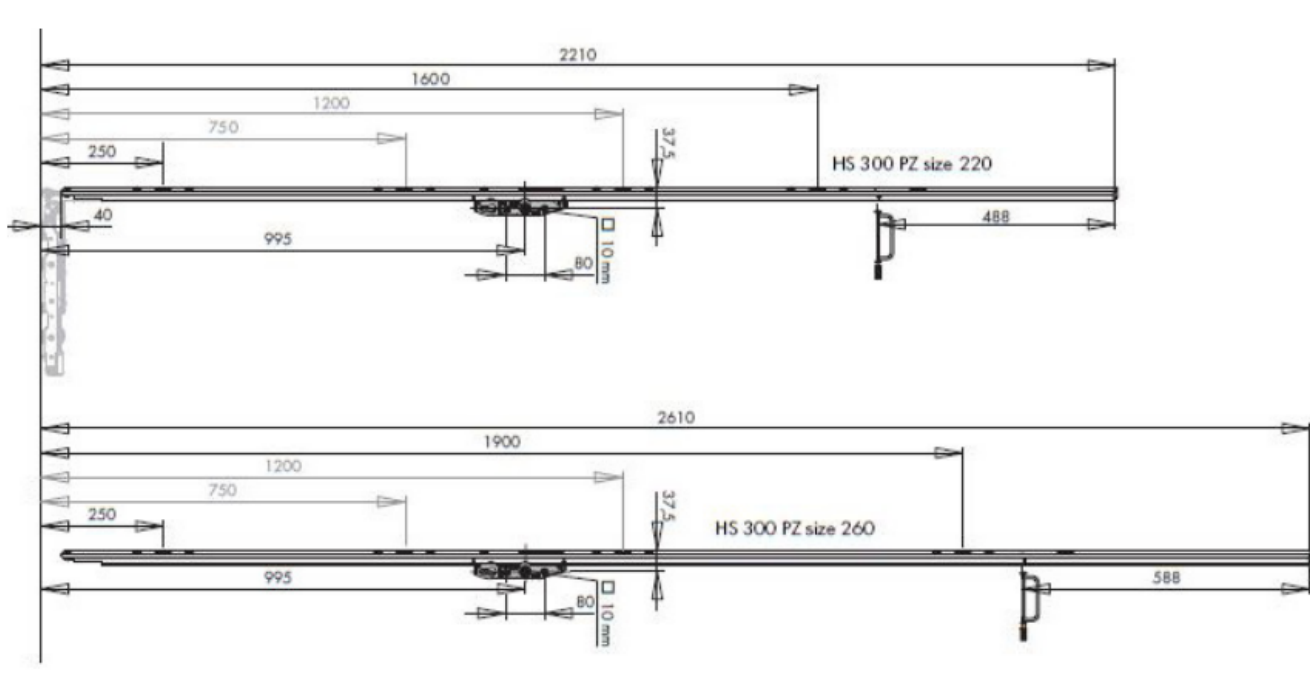


Catalogue not up to date?
Scan the QR or [click here](#)
to view the latest version

[Click to jump back to top](#)

Siegenia Standard & Comfort Gears

Standard and dampening gears for HS300 & HS400 systems; comfort gears optional for sashes over 200kg.



Product Code	Description	Size (mm)	Coating	Packaging Unit
PGKB0020-524010	HS Portal 300 gear	2200	TITAN Silver	10
PGKB0030-524010	HS Portal 300 gear	2600	TITAN Silver	10
PGKS4070-524010	HS Portal 300 comfort gear	2200	TITAN Silver	10
PGKS4080-524010	HS Portal 300 comfort gear	2600	TITAN Silver	10

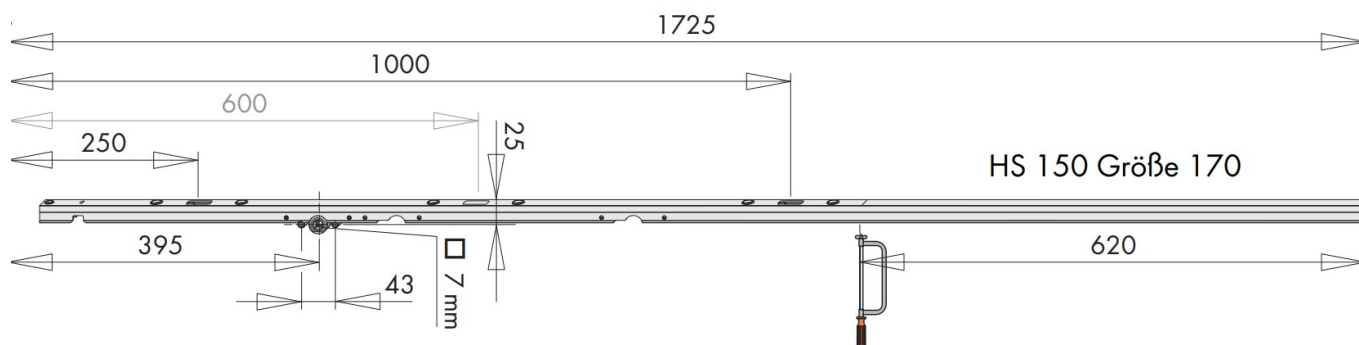


Catalogue not up to date?
Scan the QR or [click here](#)
to view the latest version

[Click to jump back to top](#)

Siegenia HS 150 Gear

Lift and slide gear for 150kg bogie systems, 7mm spindle.



Product Code	Description	Size (mm)	Spindle (mm)	Packaging Unit
PGKB0370-524012	HS Portal 150 gear	1700	7	10

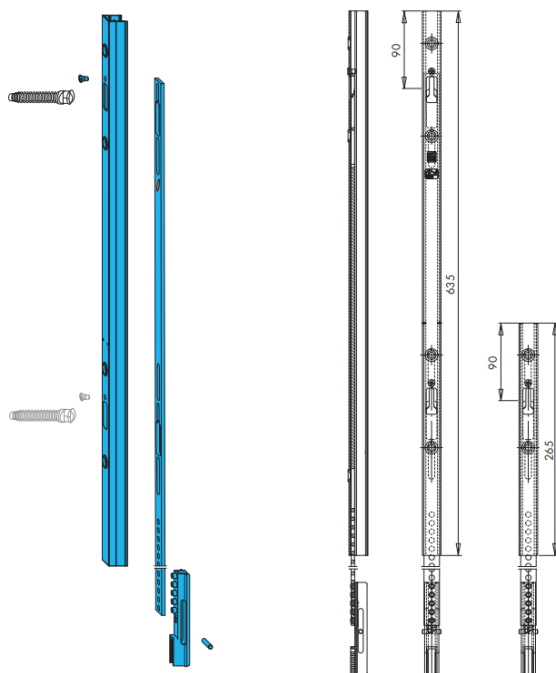


Catalogue not up to date?
Scan the QR or [click here](#)
to view the latest version

[Click to jump back to top](#)

Siegenia HS Additional Lock Extension

Additional lock suitable for HS Portal 200 and HS Portal 300 gears.



Product Code	Description	Size (mm)	Surface	Packaging Unit
PMGB0010-124021	Additional lock	635	titan silver	1

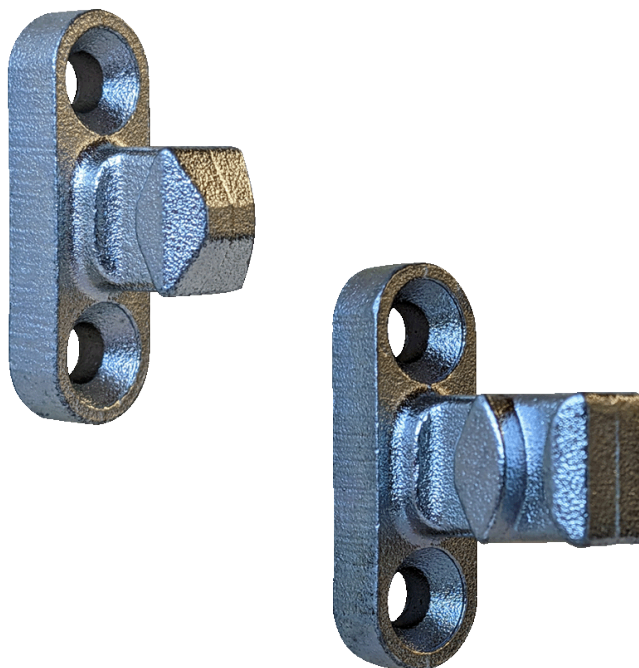


Catalogue not up to date?
Scan the QR or [click here](#)
to view the latest version

[Click to jump back to top](#)

Siegenia HS Additional Locking Bolts - uPVC - TITAN Silver Coating

Locking part for uPVC and aluminium elements.



Product Code	Description	Coating	Packaging Unit
PMRB4010-100010	Locking part A0209 Veka	TITAN Silver	1
PMRB4020-100010	Locking part A022 Aluplast HST85	TITAN Silver	1

*comes with 4x screws

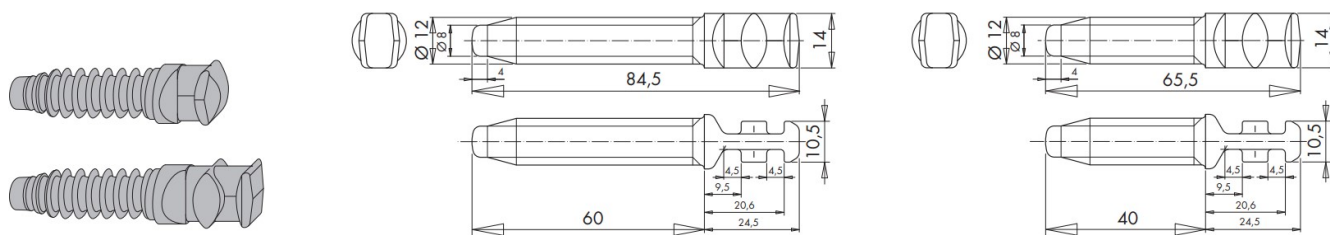


Catalogue not up to date?
Scan the QR or [click here](#)
to view the latest version

[Click to jump back to top](#)

Siegenia HS Additional Locking Bolts - Timber

Locking part for timber doors.



Product Code	Description	Packaging Unit
PRTB0010-100010	Top locking bolt E	1
PRTB0020-100010	Bottom locking bolt E	1

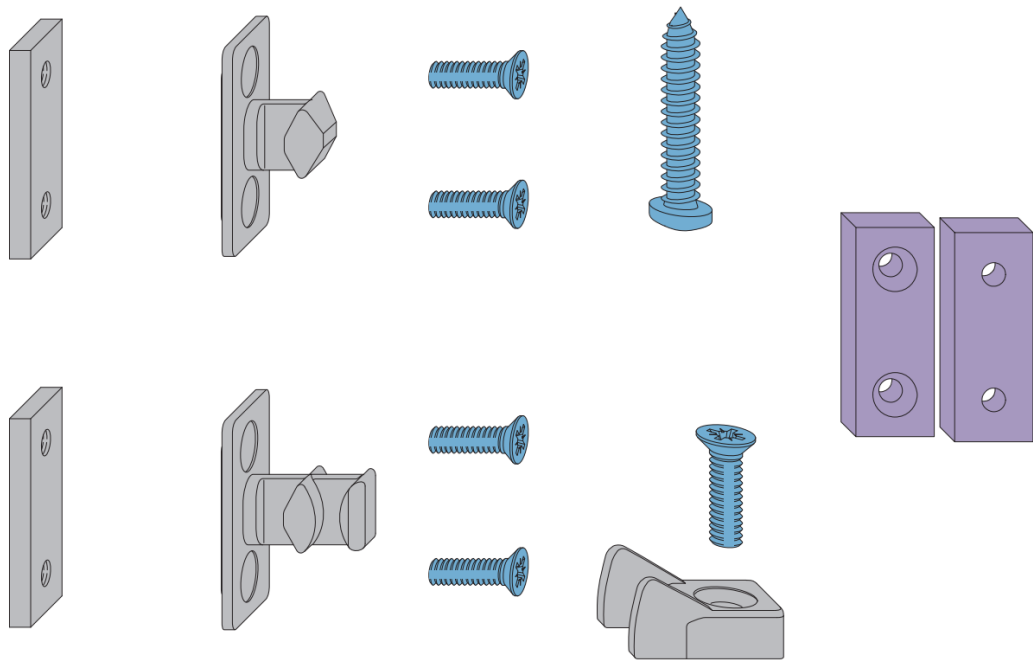


Catalogue not up to date?
Scan the QR or [click here](#)
to view the latest version

[Click to jump back to top](#)

Siegenia HS Scheme C Accessories Bag

Accessories for head to head lift and slide doors.



Product Code	Description	Packaging Unit
239087	Scheme C accessories bag	1

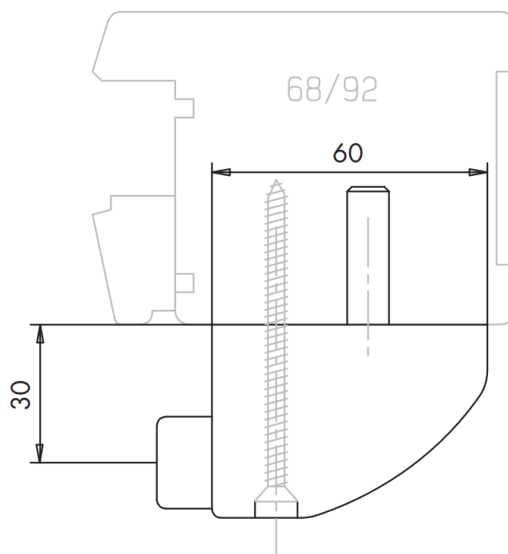
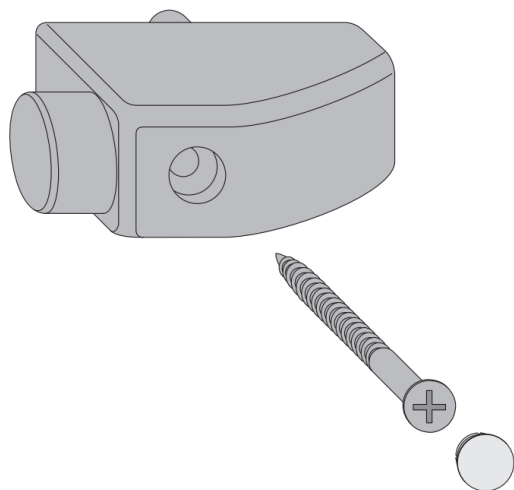


Catalogue not up to date?
Scan the QR or [click here](#)
to view the latest version

[Click to jump back to top](#)

Siegenia HS Stop

Surface mounted stop for lift and slide doors.



Product Code	Description	Colour	Packaging Unit
PMZB0140-023030	Surface mounted stop	9005 jet black	20
PMZB0140-002030	Surface mounted stop	9003 signal white	20
PMZB0140-021031	Surface mounted stop	7040 window grey	20

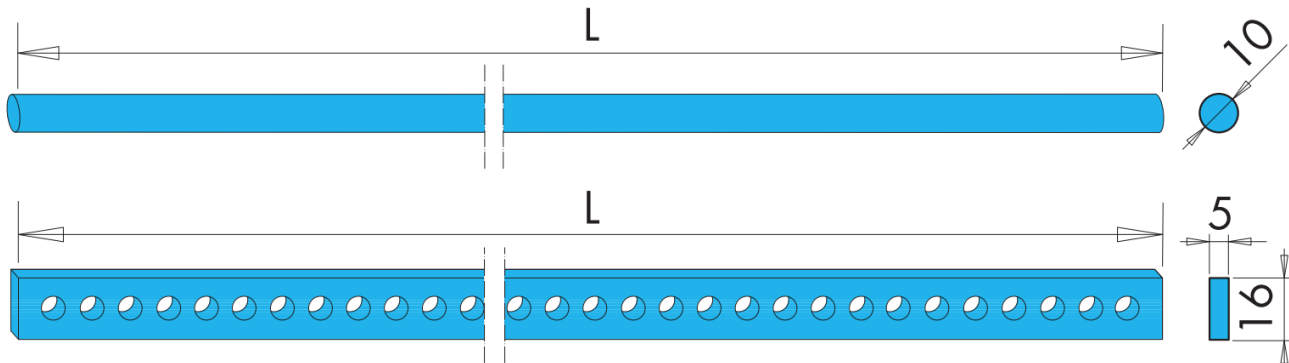


Catalogue not up to date?
Scan the QR or [click here](#)
to view the latest version

[Click to jump back to top](#)

Siegenia HS Connecting Rods

For connection between bogies in timber and uPVC systems.



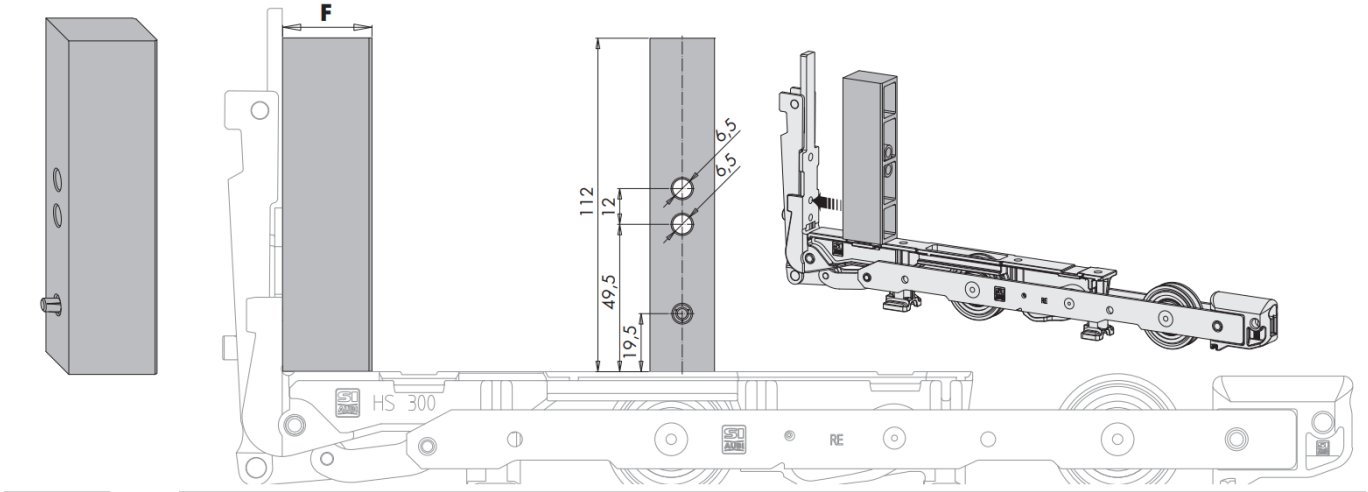
Product Code	Description	Type	Material	Length (mm)	Packaging Unit
719480	Connecting rods	flat	steel	1398	10
719497	Connecting rods	flat	steel	1898	10
714768	Connecting rods	round	steel	1015	10
PVSE0060-100010	Connecting rods	round	steel	1670	10
PVSE0050-100011	Connecting rods	round	steel	2750	10
PVSE0060-X00010	Connecting rods	round	stainless steel	1670	10
PVSE0050-X00010	Connecting rods	round	stainless steel	2750	10



Catalogue not up to date?
Scan the QR or [click here](#)
to view the latest version

[Click to jump back to top](#)

Siegenia HS Additional Distance Blocks



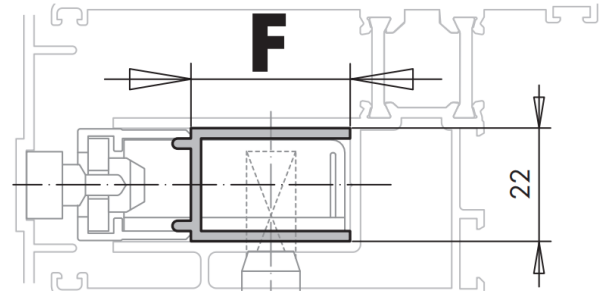
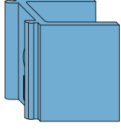
Product Code	Description	Dimension F (mm)	Packaging Unit
PDZB0210-099040	Bogie distance blocks - A0169	11	1
PDZB0220-099040	Bogie distance blocks - A0212	15	1
PDZB0230-099040	Bogie distance blocks - A0001	16	1
PDZB0240-099040	Bogie distance blocks - A0020	18	1
PDZB0250-099040	Bogie distance blocks - A0029	20	1
PDZB0260-099040	Bogie distance blocks - A0302	21	1
PDZB0270-099040	Bogie distance blocks - A0005	22	1
PDZB0280-099040	Bogie distance blocks - A0007	23	1
PDZB0290-099040	Bogie distance blocks - A0004	25	1
PDZB0300-099040	Bogie distance blocks - A0008	27	1
PDZB0310-099040	Bogie distance blocks - A0006	30	1
PDZB0320-099040	Bogie distance blocks - A0018	31	1
PDZB0330-099040	Bogie distance blocks - A0015	32	1
PDZB0340-099040	Bogie distance blocks - A0002	35	1



Catalogue not up to date?
Scan the QR or [click here](#)
to view the latest version

[Click to jump back to top](#)

Siegenia HS Additional Short Distance Piece



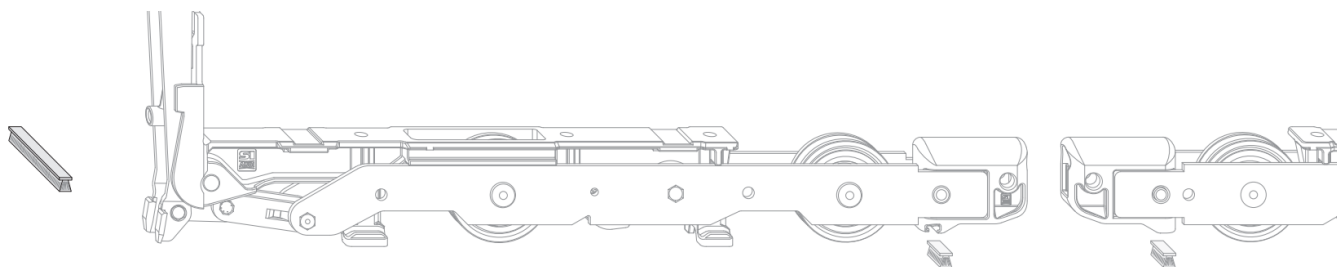
Product Code	Description	Dimension F (mm)	Packaging Unit
PDZB0020-096010	Gear distance piece - A0169	11.5 / 15.0	1
PDZB0030-096010	Gear distance piece - A0212	15	1
PDZB0040-096010	Gear distance piece - A0001	16	1
PDZB0050-096010	Gear distance piece - A0020	18	1
PDZB0060-096010	Gear distance piece - A0029	20	1
PDZB0160-096010	Gear distance piece - A0302	21	1
PDZB0070-096010	Gear distance piece - A0007	23	1
PDZB0080-096010	Gear distance piece - A0004 Veka	25	1
PDZB0100-096010	Gear distance piece - A0008	27	1
PDZB0110-096010	Gear distance piece - A0010 Aluplast HST 85	30	1
PDZB0120-096010	Gear distance piece - A0018	31	1



Catalogue not up to date?
Scan the QR or [click here](#)
to view the latest version

[Click to jump back to top](#)

Siegenia HS Bogie Wheel Brushes



Product Code	Description	Size (mm)	Packaging Unit
PDPB0160-097020	Sealing brush	100	10

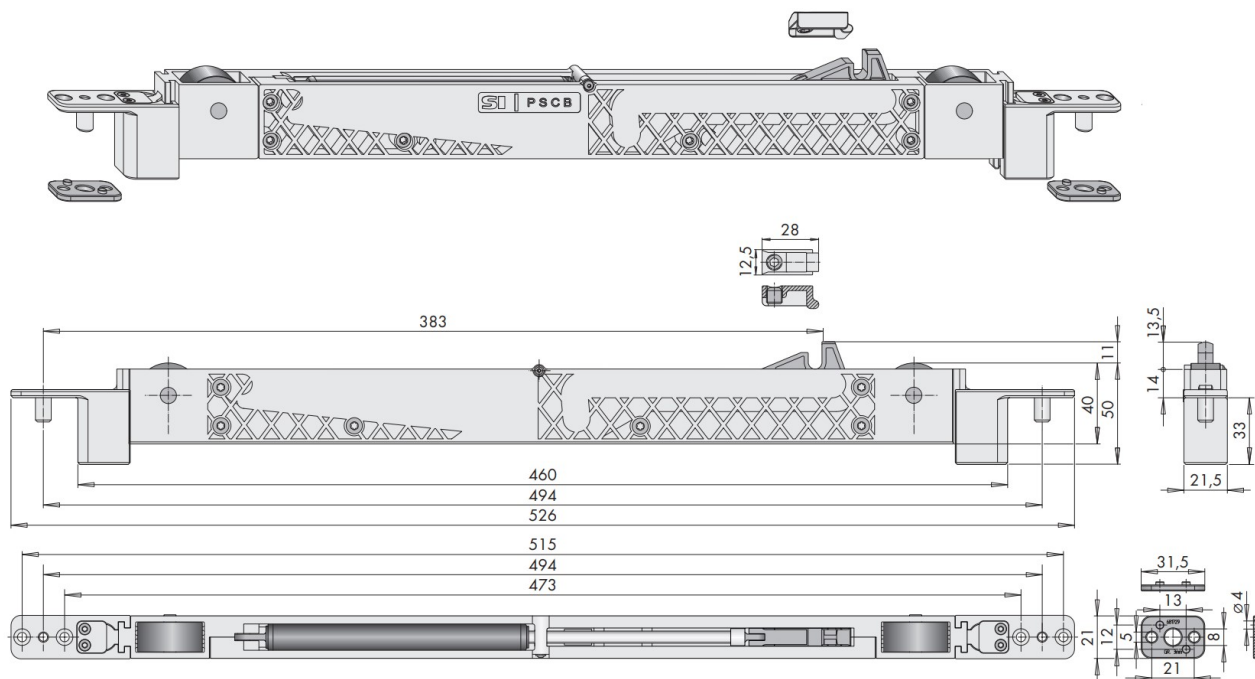


Catalogue not up to date?
Scan the QR or [click here](#)
to view the latest version

[Click to jump back to top](#)

Siegenia HS Soft Close KF - uPVC

Soft close unit and track mounted stop.



Product Code	Description	System	Weight (kg)	Packaging Unit
PSCB0120-021010	Soft close unit & stop	uPVC	<100	1
PSCB0130-021010	Soft close unit & stop	uPVC	100-200	1
PSCB0140-021010	Soft close unit & stop	uPVC	>200	1

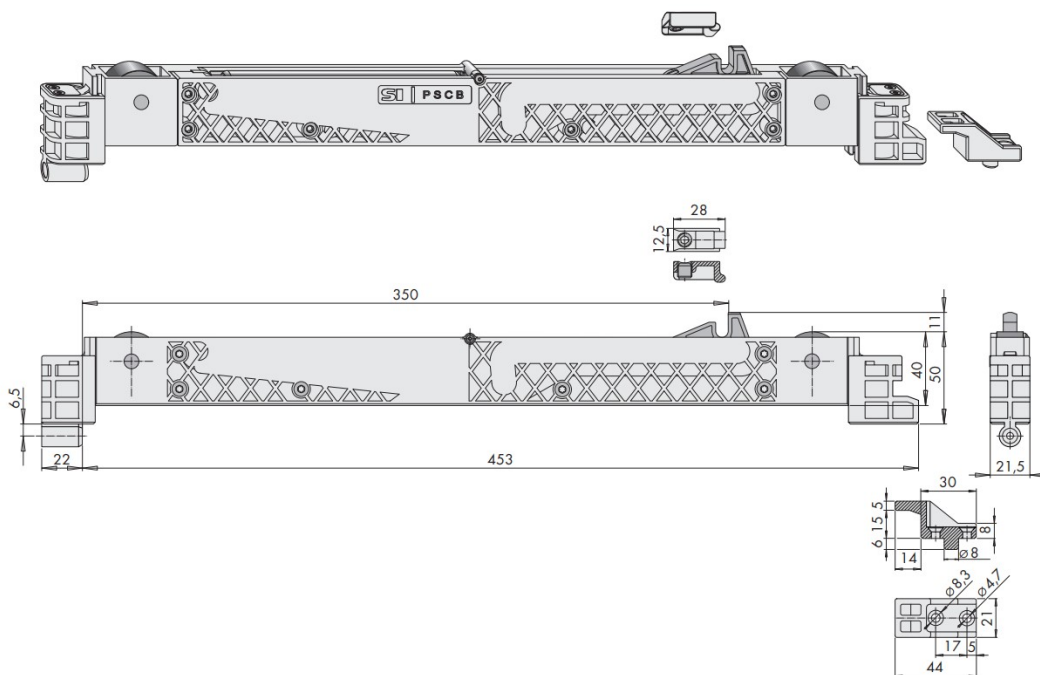


Catalogue not up to date?
Scan the QR or [click here](#)
to view the latest version

[Click to jump back to top](#)

Siegenia HS Soft Close - Timber

Soft close unit and track mounted stop.



Product Code	Description	System	Weight (kg)	Packaging Unit
PSCB0030-021010	Soft close unit & stop	timber	100-200	1
PSCB0040-021010	Soft close unit & stop	timber	>200	1

*Note: Must be used with soft close guiding rail

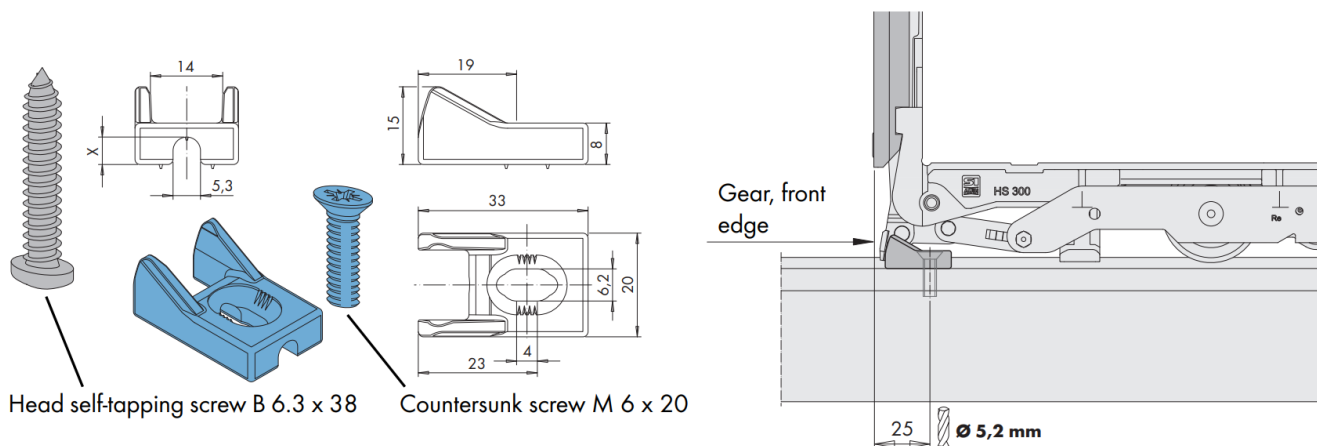


Catalogue not up to date?
Scan the QR or [click here](#)
to view the latest version

[Click to jump back to top](#)

Siegenia HS Track Mounted Stop

Secondary sash locking part for lift and slide doors (screws included).



Product Code	Description	Dimension x (mm)	Packaging Unit
238691	Locking part HS scheme C & G	5	1

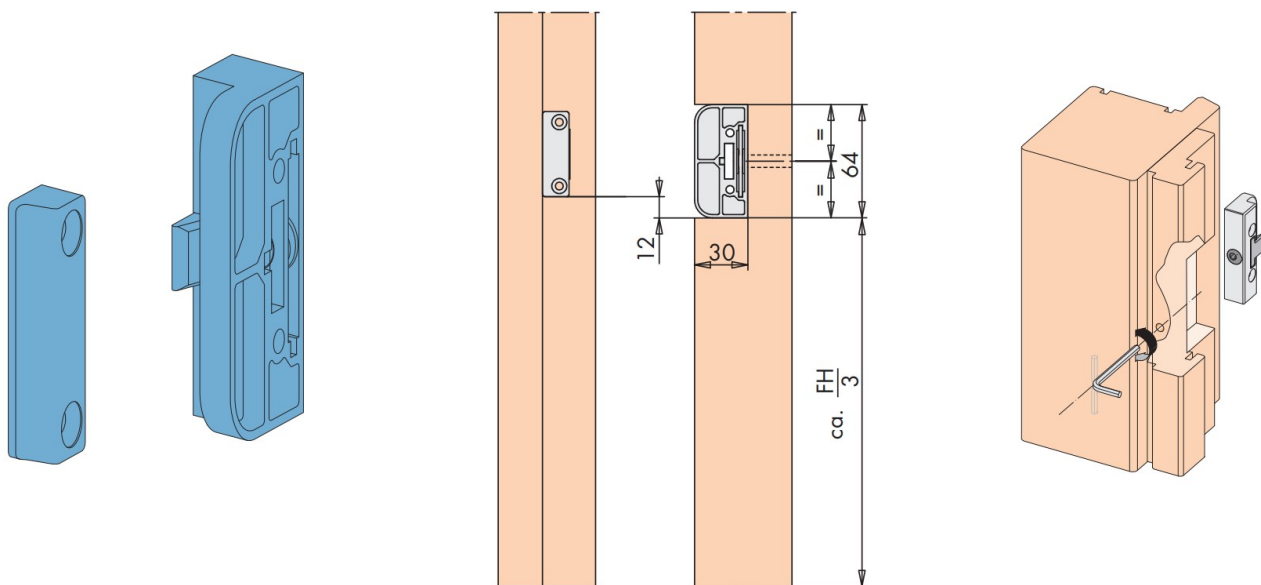


Catalogue not up to date?
Scan the QR or [click here](#)
to view the latest version

[Click to jump back to top](#)

Siegenia HS Centre Lock

Centre lock for timber sealing rail C.



Product Code	Description	Sash Distance (mm)	Surface	Packaging Unit
PMZB0150-100010	Centre lock	28	titan silver	20
PMZB0150-200010	Centre lock	28	E-Look Coastal Coating	20

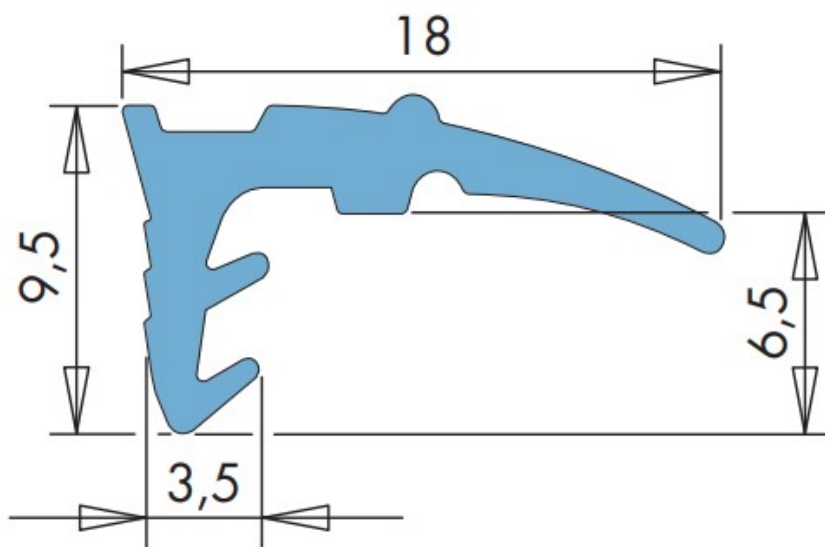


Catalogue not up to date?
Scan the QR or [click here](#)
to view the latest version

[Click to jump back to top](#)

Siegenia HH0134-05 Lift & Slide Seal

Lift & slide top seal.



HH0134-05

Product Code	Description	Colour	Length (m)	Packaging Unit
PDPB0050-099010	Top seal HH0134-05	black	3	1

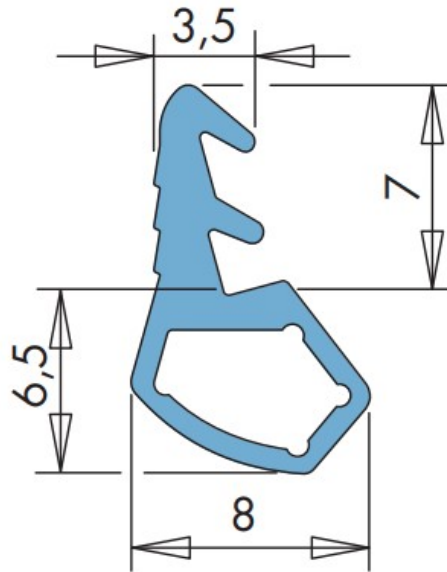


Catalogue not up to date?
Scan the QR or [click here](#)
to view the latest version

[Click to jump back to top](#)

Siegenia HH0134-02 Lift & Slide Seal

Seal for lift & slide door sashes.



HH0134-02

Product Code	Description	Colour	Length (m)	Packaging Unit
PDPB0030-099010	Sash sealing, bottom HH0134-02	black	17	1
PDPB0040-099010	Sash sealing, bottom HH0134-02	black	100	1



Catalogue not up to date?
Scan the QR or [click here](#)
to view the latest version

[Click to jump back to top](#)

Siegenia HS Sealing Strip C

Interlock sealing strip for lift and slide doors

**COMING
SOON**

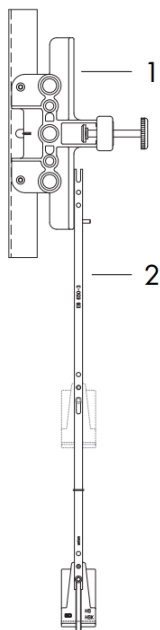
Product Code	Description	Length (mm)	Packaging Unit
PMZB1010-023010	Locking part HS scheme G	3	1



Catalogue not up to date?
Scan the QR or [click here](#)
to view the latest version

[Click to jump back to top](#)

Siegenia HS Handle Jig



Product Code	Description	System	Packaging Unit
PABB0010-521010	Jig HS handle	uPVC	1
PABB0040-521010	Jig HS handle	timber IV68	1



Catalogue not up to date?
Scan the QR or [click here](#)
to view the latest version

[Click to jump back to top](#)

Siegenia HS Jig for Timber Locking Bolt



Product Code	Description	Drill Diameter (mm)	Packaging Unit
155066	Spanner jig for timber locking part	10	1



Catalogue not up to date?
Scan the QR or [click here](#)
to view the latest version

[Click to jump back to top](#)

Siegenia HS Centre Punch

Used to locate the drilling positions for HS locking bolts.



Product Code	Description	System	Packaging Unit
PALB0050-100010	Centre punch	timber	1
PALB4010-100010	Centre punch	uPVC	1

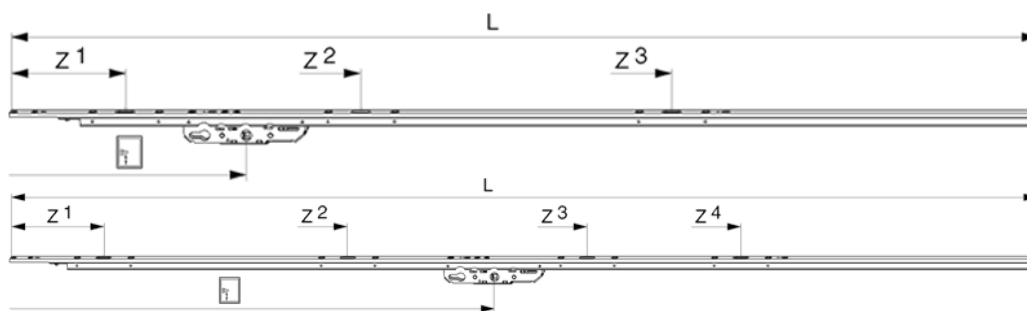


Catalogue not up to date?
Scan the QR or [click here](#)
to view the latest version

[Click to jump back to top](#)

HS Drive Gear

HS drive gear for bolt - back set 37.5



For Windows

For Doors

Product Code	Length (mm)	Handle Height	Size	Colour	Surface Finish	Packing Unit
214416	1700	400	2	F1 Silver	Anodised	5
214417	2100	1000	3	F1 Silver	Anodised	5
214418	2500	1000	4	F1 Silver	Anodised	5
214419	2800	1000	5	F1 Silver	Anodised	5
251434	2100	1000	3	C35 Black	Anodised	5
251436	2500	1000	4	C35 Black	Anodised	5

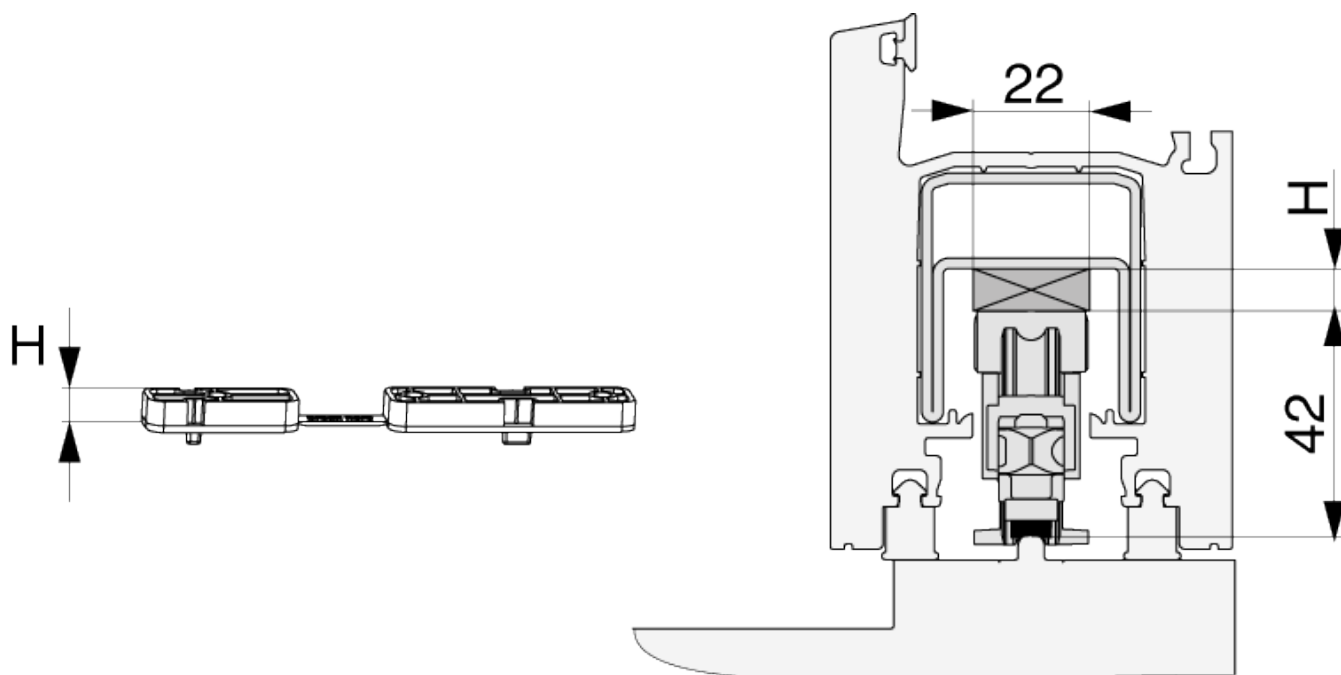


Catalogue not up to date?
Scan the QR or [click here](#)
to view the latest version

[Click to jump back to top](#)

HS Roller Reinforcement Packer

HS roller lining stackable 8mm for front and back roller.



Product Code	Description	Height (mm)	Colour	Packing Unit
363820	HS roller lining	8	F1 Silver	20

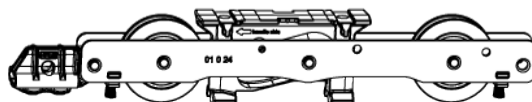
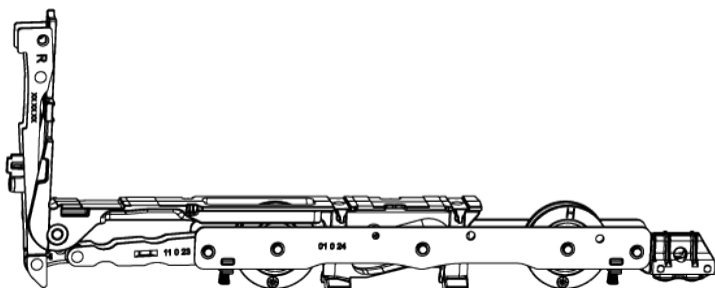


Catalogue not up to date?
Scan the QR or [click here](#)
to view the latest version

[Click to jump back to top](#)

HS Roller Set

HS roller pack groove 22x42 with brushes. Maximum sash weight: 350kg



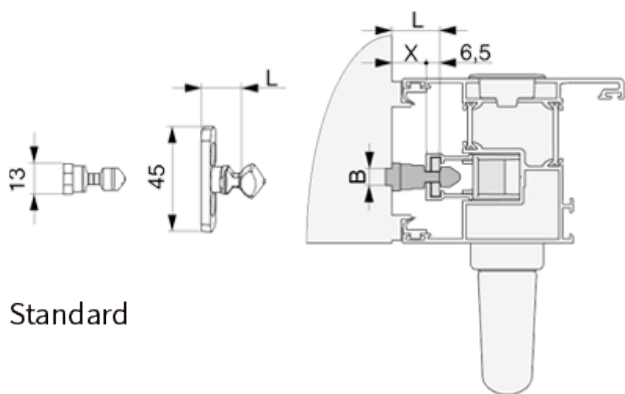
Product Code	Description	Colour	Packing Unit
486855	HS Roller Set	F1 Silver	1



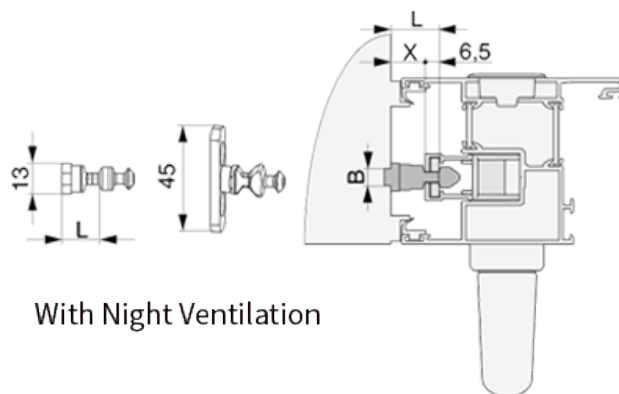
Catalogue not up to date?
Scan the QR or [click here](#)
to view the latest version

[Click to jump back to top](#)

HS Locking Bolt



Standard



With Night Ventilation

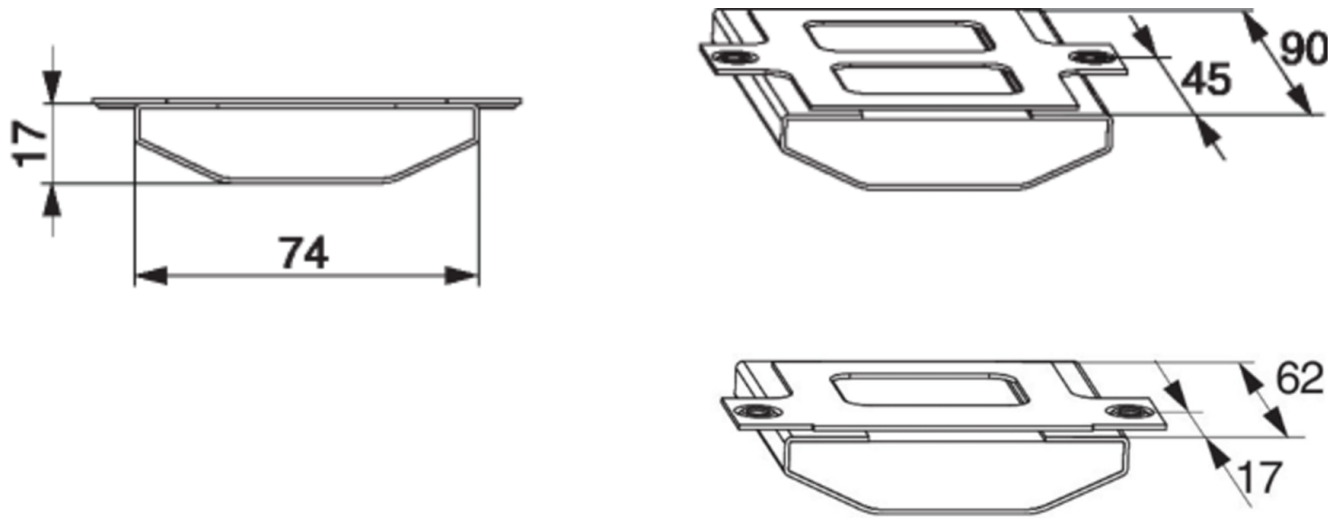
Product Code	Description	Colour	Surface Finish	Packing Unit
217084	HS locking bolts - Standard	F1 Silver	Zinc-plated	20
217085	HS locking bolts with Night Ventilation	F1 Silver	Zinc-plated	20



Catalogue not up to date?
Scan the QR or [click here](#)
to view the latest version

[Click to jump back to top](#)

HS Foam Seal



Product Code	Description	Packing Unit
469573	HS Foam Seal 15mm B=62mm	10
469574	HS Foam Seal 15mm B=90mm	10



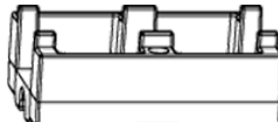
Catalogue not up to date?
Scan the QR or [click here](#)
to view the latest version

[Click to jump back to top](#)

HS Rod Guide



High HST85/PD76



Flat HST85

Product Code	Description	Packing Unit
364164	HS Rod Guide Flat PD76	10
367642	HS Rod Guide High HST85 / PD76	10
373764	HS Rod Guide Flat HST85	10

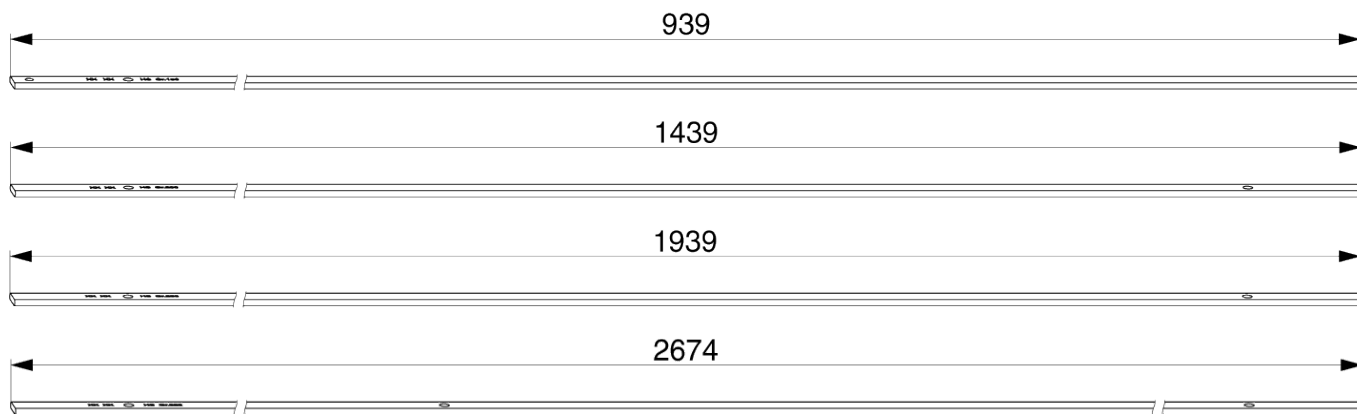
*Note: PD = Premidoor (Kommerling) HST85 = Aluplast HST85



Catalogue not up to date?
Scan the QR or [click here](#)
to view the latest version

[Click to jump back to top](#)

HS Connecting Bar



Product Code	Size	Sash Rebate Width (SRW)	Length (mm)	Colour	Packing Unit
481859	150	740-1600	939	F1 Silver	10
481860	200	1601-2100	1439	F1 Silver	10
481861	250	2101-2600	1939	F1 Silver	10
481862	323	2601-3335	2674	F1 Silver	10



Catalogue not up to date?
Scan the QR or [click here](#)
to view the latest version

[Click to jump back to top](#)

HS Rail Locking Block

HS locking block



Product Code	Height	Colour	Packing Unit
481866	5.5 mm	F1 Silver	20

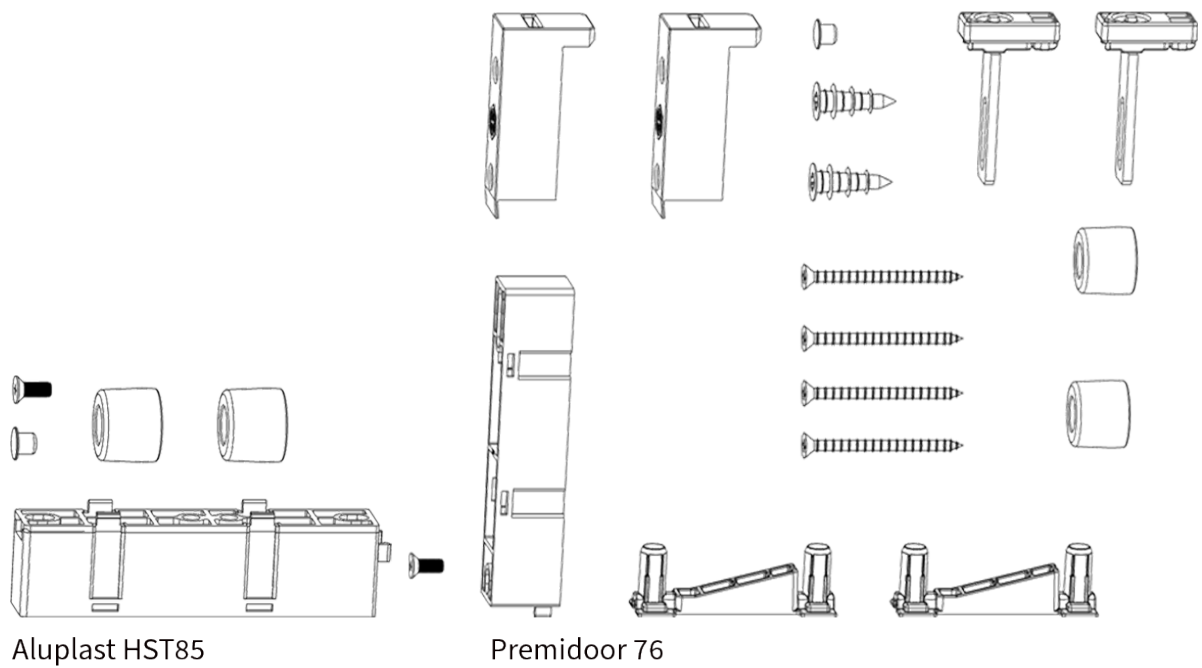


Catalogue not up to date?
Scan the QR or [click here](#)
to view the latest version

[Click to jump back to top](#)

HS Sash Parts

Profile dependent accessory carton



Product Code	Description	Colour	Packing Unit
481844	Aluplast HST85	F1 Silver	10
481850	Kommerling PremiDoor 76	F1 Silver	10

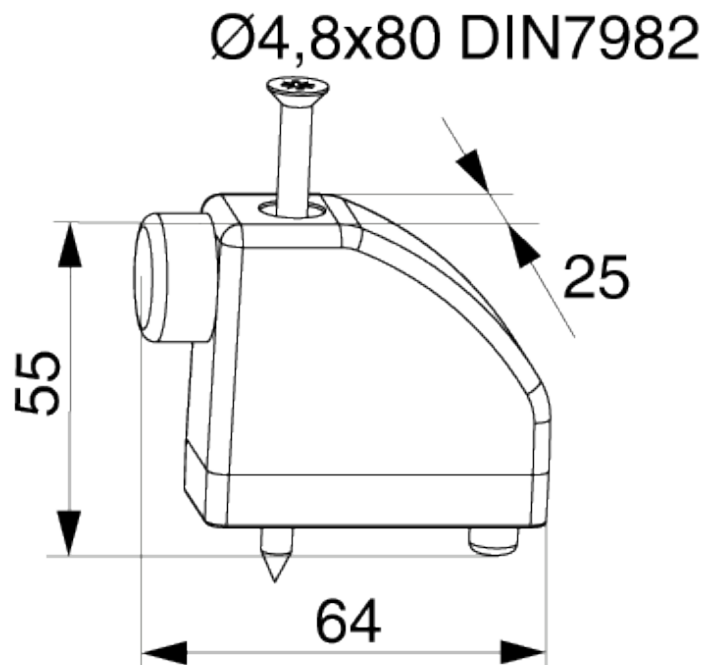


Catalogue not up to date?
Scan the QR or [click here](#)
to view the latest version

[Click to jump back to top](#)

HS Buffer Stop

Compact buffer stop with a curved impact arm for smooth, controlled end-of-travel stopping. Designed for Ø4.8 mm fasteners, it provides reliable shock absorption and protection in space-limited mechanical applications.



Product Code	Colour	Packing Unit
102945	RAL9016 White	10
102946	F1 Silver	10
102947	RAL9005 Black	10

*Note: 2 stop buffers (top and bottom) are required for each active sash.

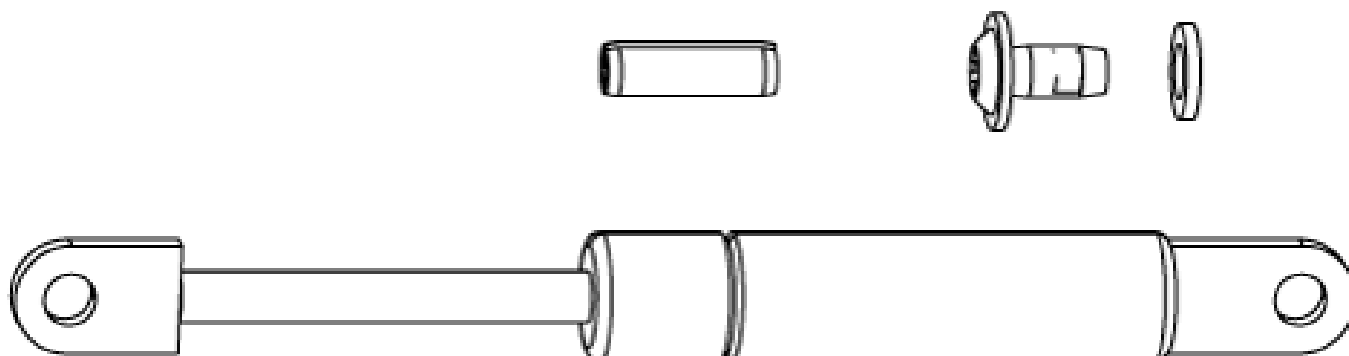


Catalogue not up to date?
Scan the QR or [click here](#)
to view the latest version

[Click to jump back to top](#)

HS Gas Spring Kit for Over 300kg

Drive gear damper lift assist. Recommended for a sash weight of 300kg or more.



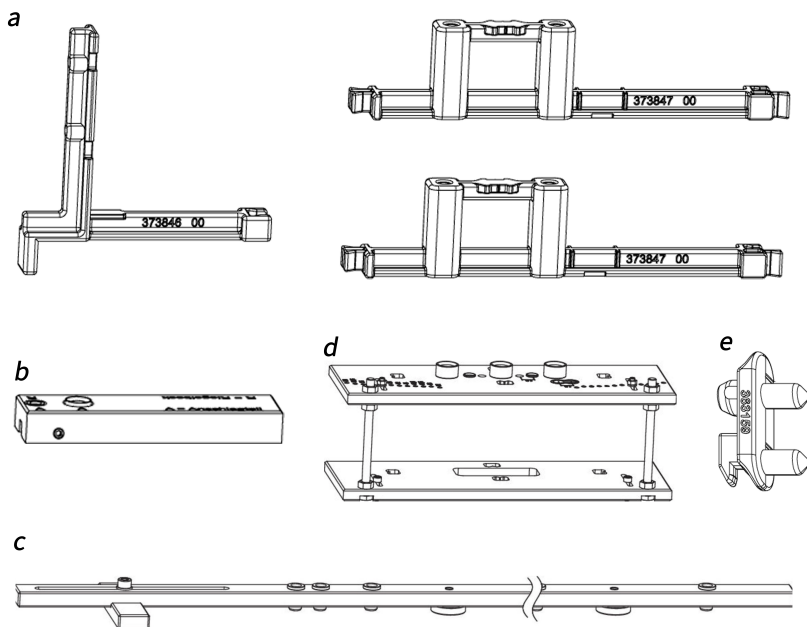
Product Code	Description	Packing Unit
105847	HS Gas Spring Kit	1



Catalogue not up to date?
Scan the QR or [click here](#)
to view the latest version

[Click to jump back to top](#)

MACO Lift & Slide Jigs



Product Code	Description	Packing Unit
106303	a - HS drilling jig bogies 22x42	1
187972	b - HS drilling jig for lock block	1
227489	c - HS Drill Holes Jig Std Gear	1
250499	d - HS Gear Drilling/Milling Jig	1
363159	e - HS Marking Jig for Lock Bolts	1

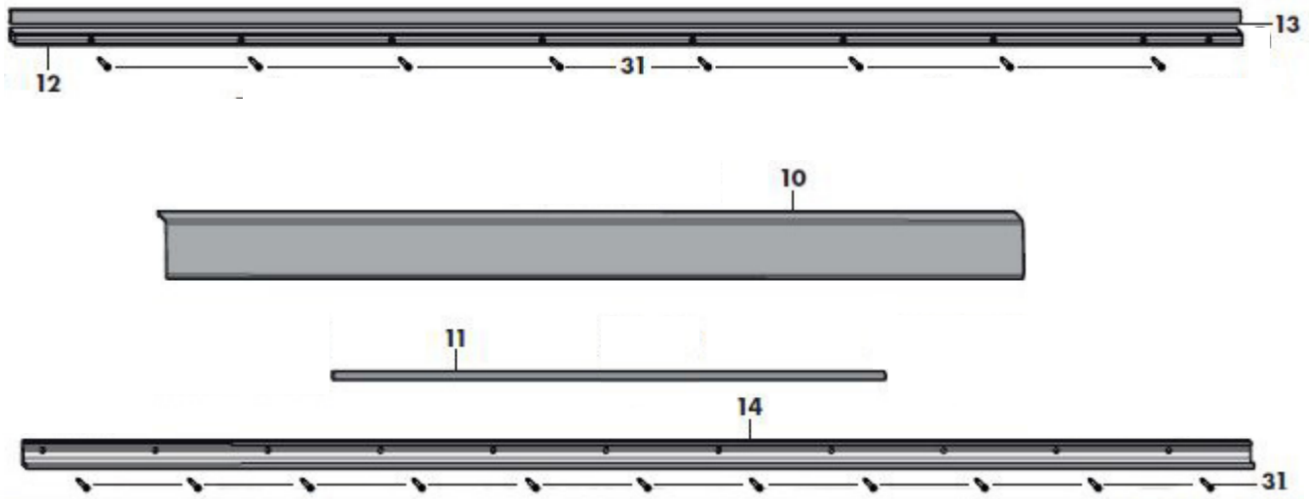


Catalogue not up to date?
Scan the QR or [click here](#)
to view the latest version

[Click to jump back to top](#)

Siegenia PSK Comfort Profile Set

Profile set PSK-Comfort.



Product Code	Description	Size	Sash rebate width	Overall Length	Colour	P.U.
PMPJ1100-512010	PSK comfort profile set	87/200	670-870	<2000	black/brown	1
PMPJ1110-512010	PSK comfort profile set	107/240	871-1070	2001-2400	black/brown	1
PMPJ1120-512010	PSK comfort profile set	130/286	1071-1300	2401-2860	black/brown	1
PMPJ1130-512010	PSK comfort profile set	160/346	1301-1600	2861-3460	black/brown	1
PMPJ1140-512010	PSK comfort profile set	200-426	1601-2000	3461-4260	black/brown	1
PMPJ1100-502010	PSK comfort profile set	87/200	670-870	<2000	white	1
PMPJ1110-502010	PSK comfort profile set	107/240	871-1070	2001-2400	white	1
PMPJ1120-502010	PSK comfort profile set	130/286	1071-1300	2401-2860	white	1
PMPJ1130-502010	PSK comfort profile set	160/346	1301-1600	2861-3460	white	1
PMPJ1140-502010	PSK comfort profile set	200-426	1601-2000	3461-4260	white	1
PMPJ1100-525010	PSK comfort profile set	87/200	670-870	<2000	silver	1
PMPJ1110-525010	PSK comfort profile set	107/240	871-1070	2001-2400	silver	1
PMPJ1120-525010	PSK comfort profile set	130/286	1071-1300	2401-2860	silver	1
PMPJ1130-525010	PSK comfort profile set	160/346	1301-1600	2861-3460	silver	1
PMPJ1140-525010	PSK comfort profile set	200-426	1601-2000	3461-4260	silver	1

*Dimensions (mm)



Catalogue not up to date?
Scan the QR or [click here](#)
to view the latest version

[Click to jump back to top](#)

Siegenia PSK Comfort Bogies

Bogie set and slides.



Product Code	Description	Handing	Weight (kg)	Packaging Unit
PMKJ1051-100010	Bogie wheels PSK Comfort	right	100	1
PMKJ1052-100010	Bogie wheels PSK Comfort	left	100	1
PMKJ1031-100010	Bogie wheels PSK Comfort	right	160	1
PMKJ1032-100010	Bogie wheels PSK Comfort	left	160	1

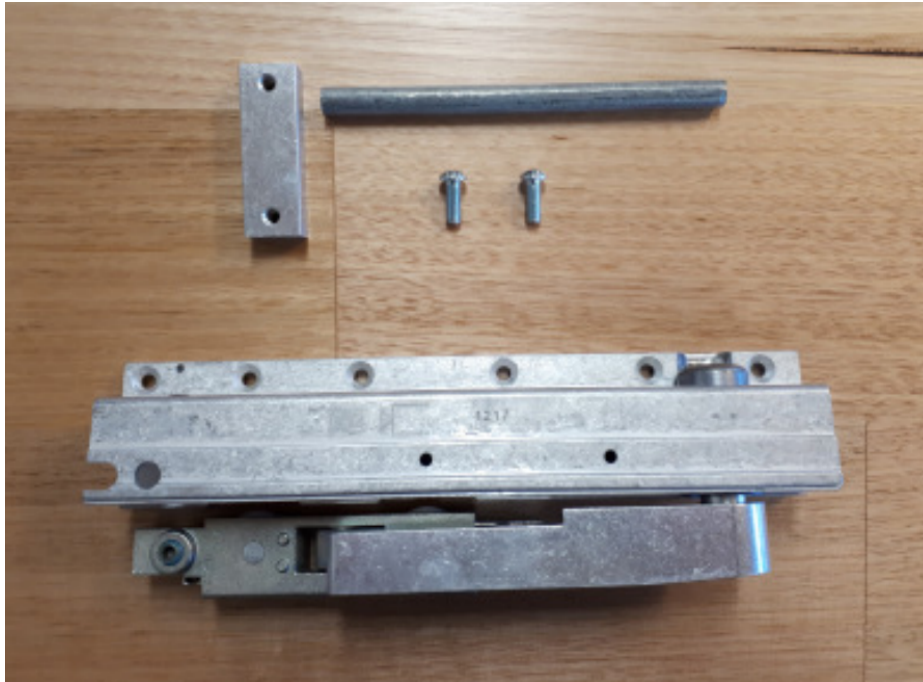


Catalogue not up to date?
Scan the QR or [click here](#)
to view the latest version

[Click to jump back to top](#)

Siegenia PSK Comfort Middle Bogies

Additional middle bogies for sash weights up to 200kg.



Product Code	Description	Handing	Weight (kg)	Packaging Unit
PLWL1031-100010	Middle bogie wheels PSK Comfort	right	160 - 200	1
PLWL1032-100010	Middle bogie wheels PSK Comfort	left	160 - 200	1

*Note: Two middle bogies are required for installation.

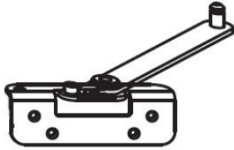


Catalogue not up to date?
Scan the QR or [click here](#)
to view the latest version

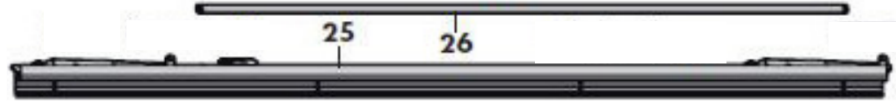
[Click to jump back to top](#)

Siegenia PSK Comfort Tilt Stay & Stay Rod

PSK 160 Comfort tilt stay and tilt stay rod.



PSK100 Tilt stay



PSK160 Tilt stay

Product Code	Description	Size	Sash rebate width (mm)	Handing	Packaging Unit
PSKJ0050-100010	Tilt stay - 100	-	670-1200	right or left	2
PSKJ1011-100010	Tilt stay - 160	87	670-870	right	1
PSKJ1012-100010	Tilt stay - 160	87	670-870	left	1
PSKJ1021-100010	Tilt stay - 160	107	871-1070	right	1
PSKJ1022-100010	Tilt stay - 160	107	871-1070	left	1
PSKJ1031-100010	Tilt stay - 160	130	1071-1300	right	1
PSKJ1032-100010	Tilt stay - 160	130	1071-1300	left	1
PSKJ1041-100010	Tilt stay - 160	160	1301-1600	right	1
PSKJ1042-100010	Tilt stay - 160	160	1301-1600	left	1
PSKJ1051-100010	Tilt stay - 160	200	1601-2000	right	1
PSKJ1052-100010	Tilt stay - 160	200	1601-2000	left	1
PVSJ0010-100010	Additional tilt stay rod	87	670-870	-	1
PVSJ0020-100010	Additional tilt stay rod	107	871-1070	-	1
PVSJ0030-100010	Additional tilt stay rod	130	1071-1300	-	1
PVSJ0040-100010	Additional tilt stay rod	160	1301-1600	-	1
PVSJ0050-100010	Additional tilt stay rod	200	1601-2000	-	1



Catalogue not up to date?
Scan the QR or [click here](#)
to view the latest version

[Click to jump back to top](#)

Siegenia PSK Comfort Cover Rail

Basic cover rail K.



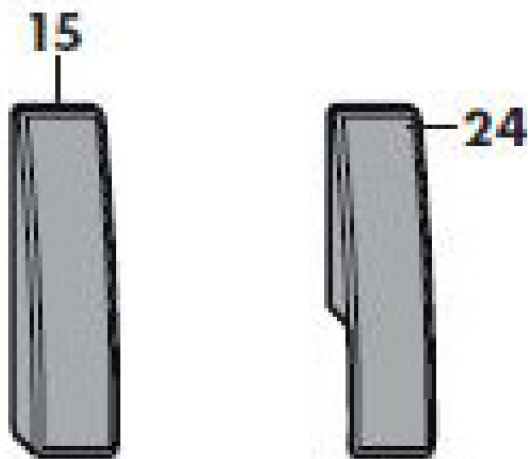
Product Code	Description	Size	Colour	Packaging Unit
PMAJ1100-512010	Cover rail K	87	black/brown	1
PMAJ1110-512010	Cover rail K	107	black/brown	1
PMAJ1120-512010	Cover rail K	130	black/brown	1
PMAJ1130-512010	Cover rail K	160	black/brown	1
PMAJ1140-512010	Cover rail K	200	black/brown	1
PMAJ1100-502010	Cover rail K	87	white	1
PMAJ1110-502010	Cover rail K	107	white	1
PMAJ1120-502010	Cover rail K	130	white	1
PMAJ1130-502010	Cover rail K	160	white	1
PMAJ1140-502010	Cover rail K	200	white	1
PMAJ1100-525010	Cover rail K	87	silver	1
PMAJ1110-525010	Cover rail K	107	silver	1
PMAJ1120-525010	Cover rail K	130	silver	1
PMAJ1130-525010	Cover rail K	160	silver	1
PMAJ1140-525010	Cover rail K	200	silver	1



Catalogue not up to date?
Scan the QR or [click here](#)
to view the latest version

[Click to jump back to top](#)

Siegenia PSK 160 Comfort Bogie Cover Set



Soft set

Product Code	Description	Type	Colour	Packaging Unit
PMAJ1050-002010	Bogie cover cap L	soft	white	1 pair
PMAJ1050-025010	Bogie cover cap L	soft	silver	1 pair
PMAJ1050-012010	Bogie cover cap L	soft	black/brown	1 pair



Catalogue not up to date?
Scan the QR or [click here](#)
to view the latest version

[Click to jump back to top](#)

Siegenia PSK 100 Comfort Bogie Cover Set



End cap



Cover cap

Product Code	Description	Type	Colour	Packaging Unit
PMAJ1030-025010	End cap cover rail PSK 100	soft	silver	1 pair
PMAJ1030-002010	End cap cover rail PSK 100	soft	white	1 pair
PMAJ1030-012010	End cap cover rail PSK 100	soft	black/brown	1 pair
PKAJ0070-002010	Tilt stay cover cap PSK 100	soft	white	1
PKAJ0070-025010	Tilt stay cover cap PSK 100	soft	silver	1
PKAJ0070-012010	Tilt stay cover cap PSK 100	soft	black/brown	1



Catalogue not up to date?
Scan the QR or [click here](#)
to view the latest version

[Click to jump back to top](#)

Siegenia PSK Comfort Accessory Bag



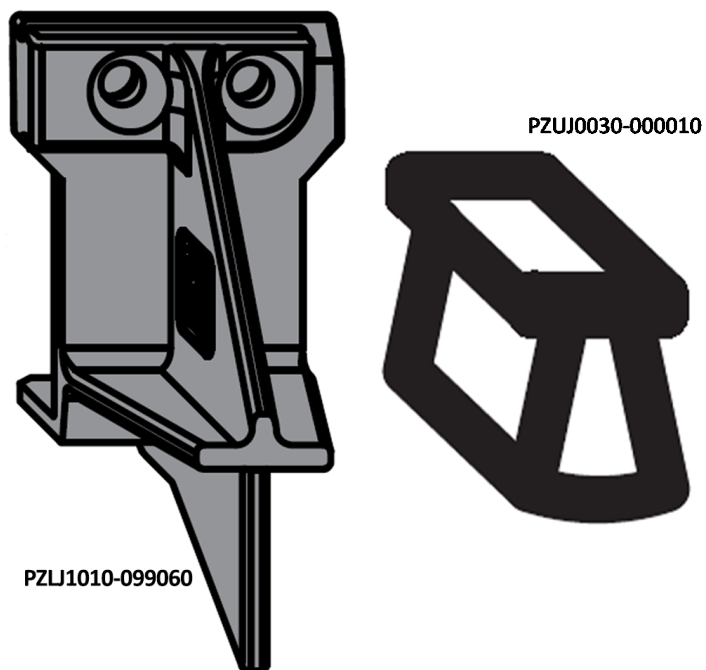
Product Code	Description	Handing	Packaging Unit
PMZJ2051-100010	Stop accessory bag	right	1
PMZJ2052-100010	Stop accessory bag	left	1



Catalogue not up to date?
Scan the QR or [click here](#)
to view the latest version

[Click to jump back to top](#)

Siegenia PSK Comfort Accessory Spare Parts



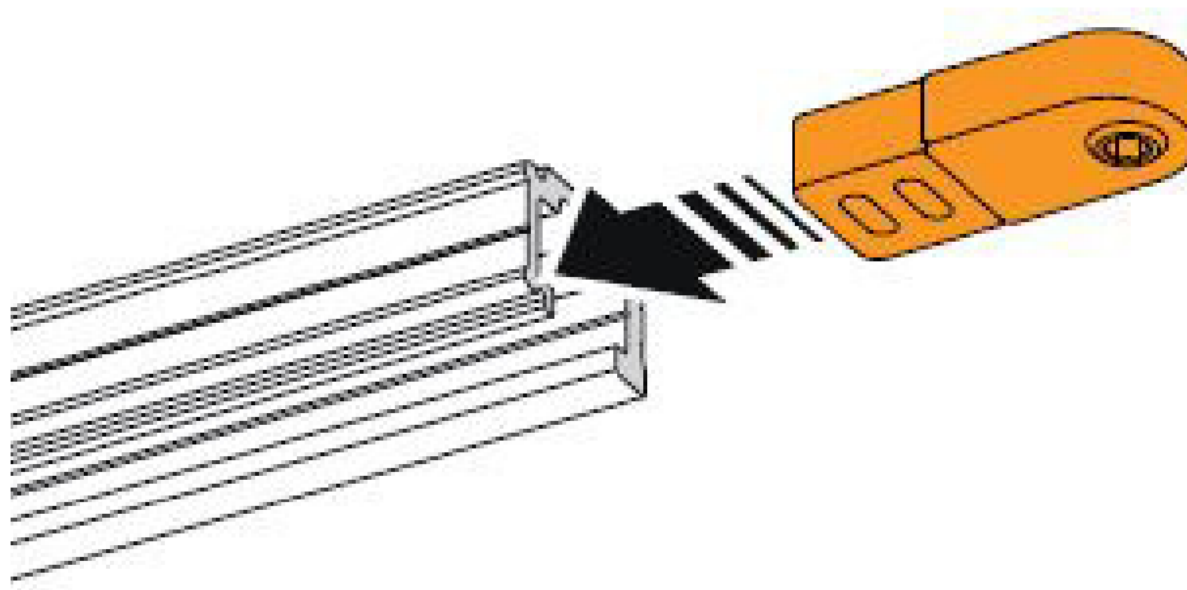
Product Code	Description	Packaging Unit
PZUJ0030-000010	Brush seal PSK 100	1
PZLJ1010-099060	Support piece L PSK 100	1



Catalogue not up to date?
Scan the QR or [click here](#)
to view the latest version

[Click to jump back to top](#)

Siegenia PSK Comfort Stop Buffer



Product Code	Description	Packaging Unit
PRZJ0030-100010	Stop buffer	1

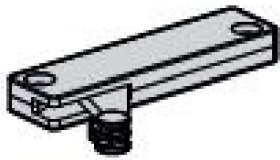
*Note: Optional part, not mandatory.



Catalogue not up to date?
Scan the QR or [click here](#)
to view the latest version

[Click to jump back to top](#)

Siegenia PSK Comfort Soft Close



Version
for timber elements



Version
for PVC elements

Product Code	Description	System	Size	Packaging Unit
PRZJ0010-100010	Soft close	uPVC	9mm	1
PRZJ0020-100010	Soft close	uPVC	13mm	1
PRZJ0060-100010	Soft close	timber	18mm	1
PRZJ0050-100010	Soft close	timber	20mm	1
PRZJ0040-100010	Soft close	timber	24mm	1

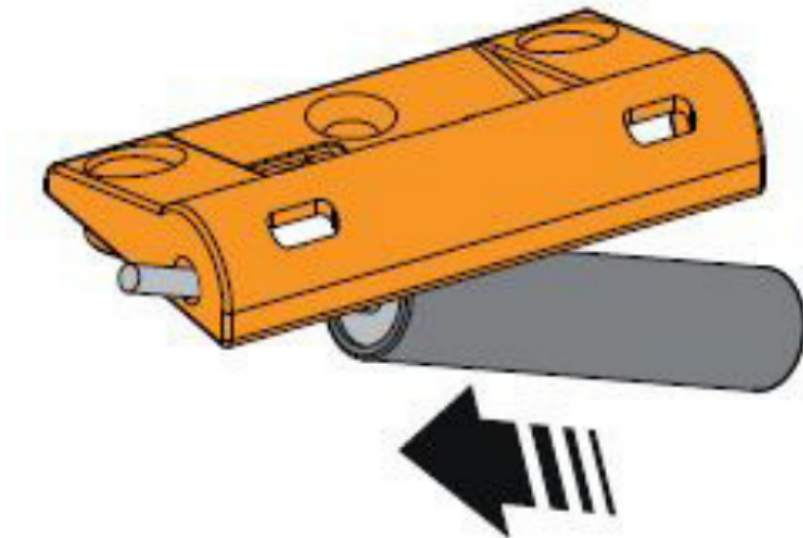
*Note: Optional extra, not mandatory.



Catalogue not up to date?
Scan the QR or [click here](#)
to view the latest version

[Click to jump back to top](#)

Siegenia PSK Comfort Soft Close Tipping Brake



Product Code	Description	Packaging Unit
PZDJ0010-100010	Soft close stop	1

*Note: Optional extra, not mandatory.

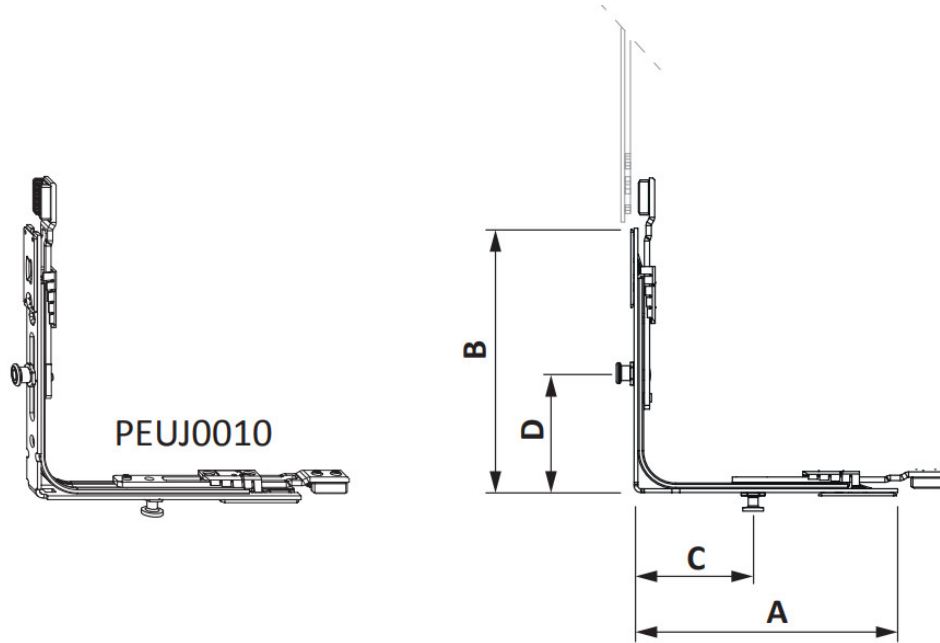


Catalogue not up to date?
Scan the QR or [click here](#)
to view the latest version

[Click to jump back to top](#)

Siegenia TITAN AF Corner Drive PSK

Female to female coupling corner drive with 2 cams, to be used in conjunction with tilt & slide systems or adjustable break stay



Product Code	Description	A	B	C	D	Cams	Screws	Packaging Unit
PEUJ0010-100010	Corner Drive AF PSK 1S 1RS	140	140	63	63	2	4	50
PEUJ0050-100010	Corner Drive AF PSK with sash lift	140	140	63	63	1	4	50



Catalogue not up to date?
Scan the QR or [click here](#)
to view the latest version

[Click to jump back to top](#)

Siegenia PSK Comfort Bogie Jig



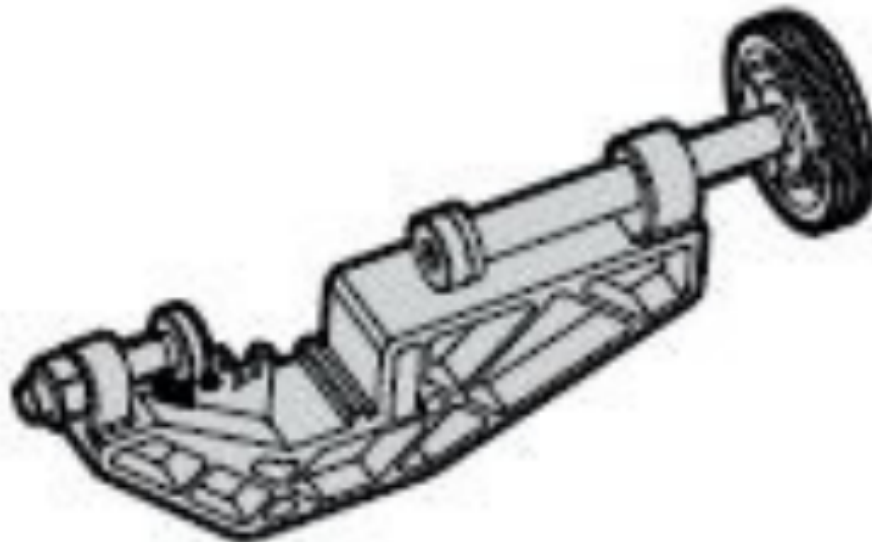
Product Code	Description	Packaging Unit
PAFL1010-096010	Bogie jig	1



Catalogue not up to date?
Scan the QR or [click here](#)
to view the latest version

[Click to jump back to top](#)

Siegenia PSK Comfort Rails Jig



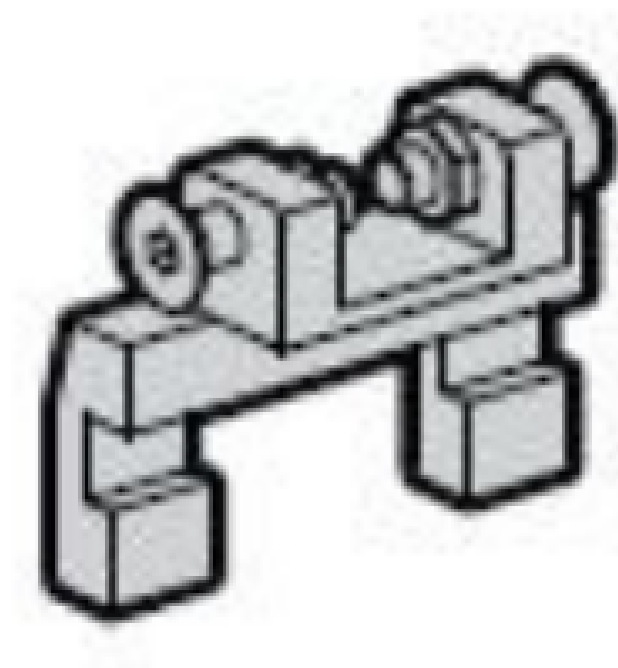
Product Code	Description	Packaging Unit
PALJ0110-021010	Rails jig for running and guiding rails	1



Catalogue not up to date?
Scan the QR or [click here](#)
to view the latest version

[Click to jump back to top](#)

Siegenia PSK Comfort Locking Parts Jig



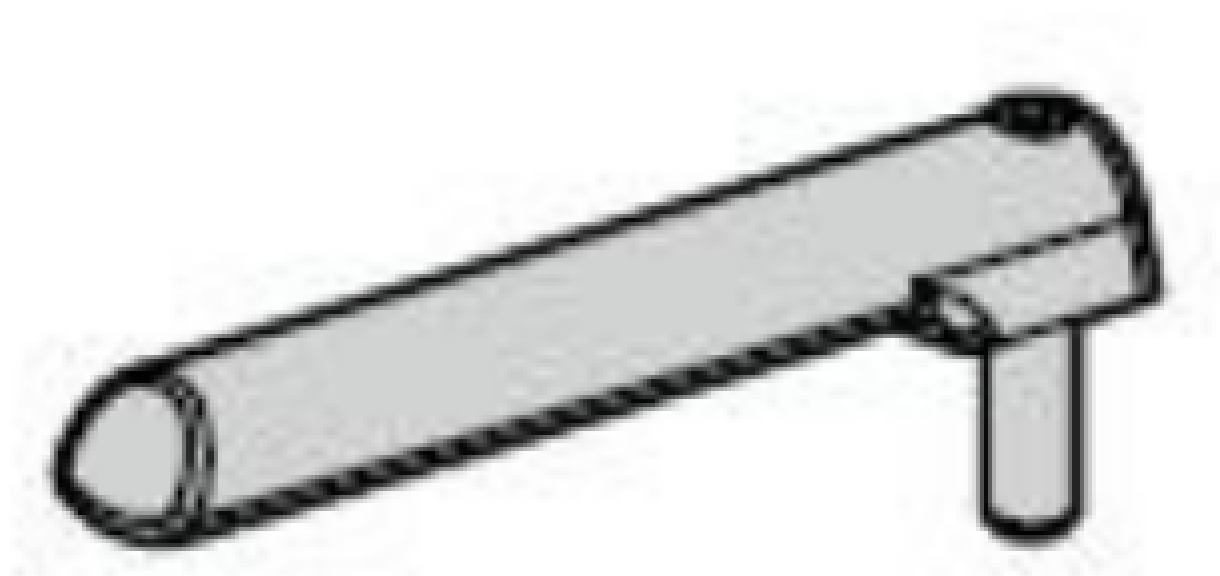
Product Code	Description	Packaging Unit
PAEL1010-000010	Locking parts jig	1



Catalogue not up to date?
Scan the QR or [click here](#)
to view the latest version

[Click to jump back to top](#)

Siegenia PSK Drilling Jig



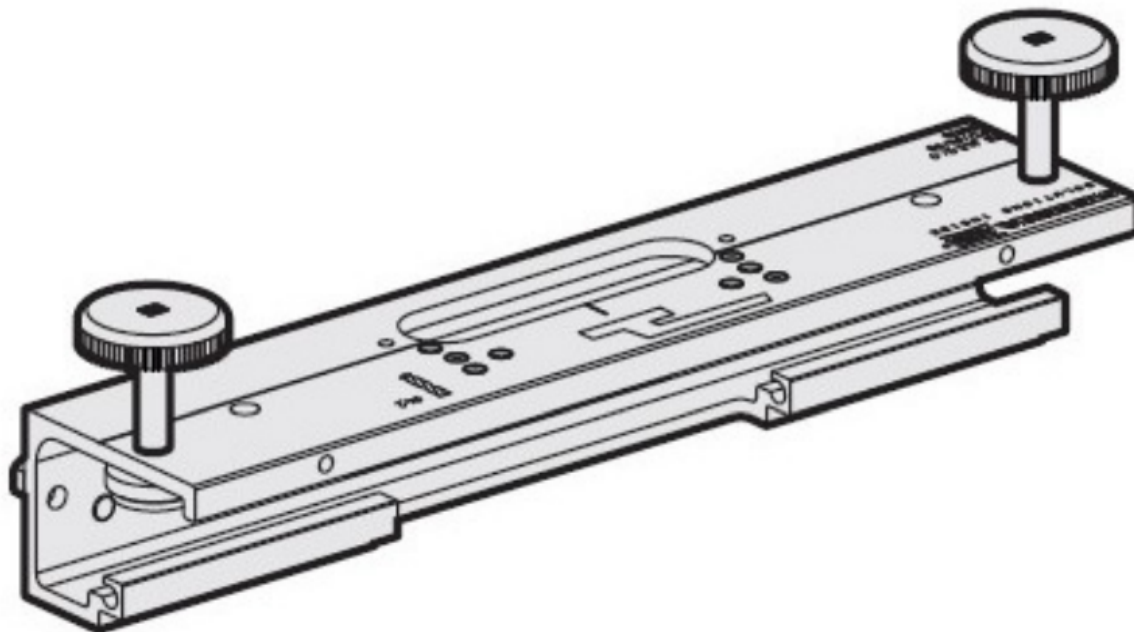
Product Code	Description	Packaging Unit
143001	Drilling jig	1



Catalogue not up to date?
Scan the QR or [click here](#)
to view the latest version

[Click to jump back to top](#)

Siegenia PSK 200Z Universal Jig



Product Code	Description	Packaging Unit
158036	PSK 200-Z jig	1



Catalogue not up to date?
Scan the QR or [click here](#)
to view the latest version

[Click to jump back to top](#)

Siegenia Bi-Fold Standard Threshold

For top or bottom hung configurations. Kit includes – Top guide track, bottom guide track and screw covers.



Product Code	Description	Size (mm)	Material	Packaging Unit
PMPG0050-525012	Bi-Fold standard threshold	2500	aluminium	1
PMPG0060-525012	Bi-Fold standard threshold	3500	aluminium	1
PMPG0070-525012	Bi-Fold standard threshold	4500	aluminium	1
PMPG0080-525012	Bi-Fold standard threshold	6500	aluminium	1

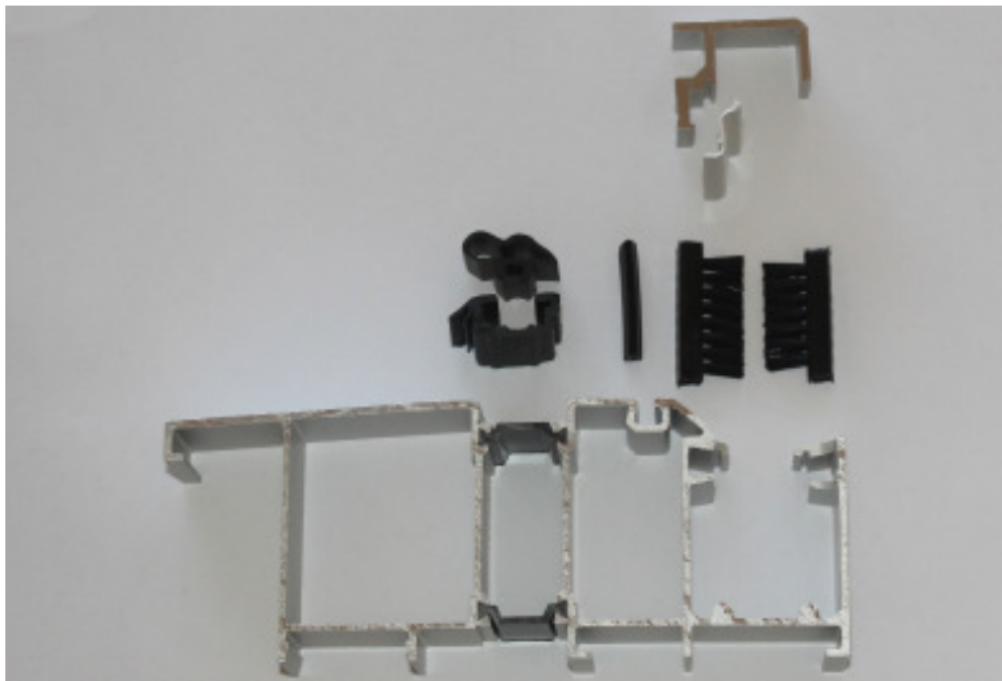


Catalogue not up to date?
Scan the QR or [click here](#)
to view the latest version

[Click to jump back to top](#)

Siegenia Bi-Fold Concealed Threshold

Kit includes - thermally broken concealed threshold, top guide track, screw cover, brush seals and main seals.



Product Code	Description	Size (mm)	Material	Packaging Unit
PMBG0010-524010	Bi-Fold concealed threshold	2500	aluminium	1
PMBG0020-524010	Bi-Fold concealed threshold	3500	aluminium	1
PMBG0030-524010	Bi-Fold concealed threshold	4500	aluminium	1
PMBG0040-524010	Bi-Fold concealed threshold	6700	aluminium	1

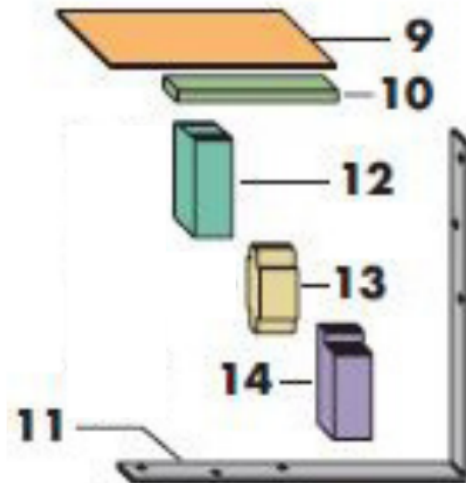
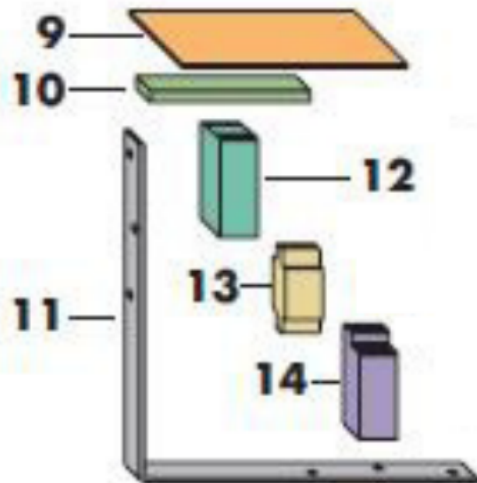


Catalogue not up to date?
Scan the QR or [click here](#)
to view the latest version

[Click to jump back to top](#)

Siegenia Bi-Fold Threshold Connection Kit

Connects bi-fold concealed thresholds to door frame profile.



Product Code	Description	Packaging Unit
PMRG0010-000010	Threshold connect kit FS	1

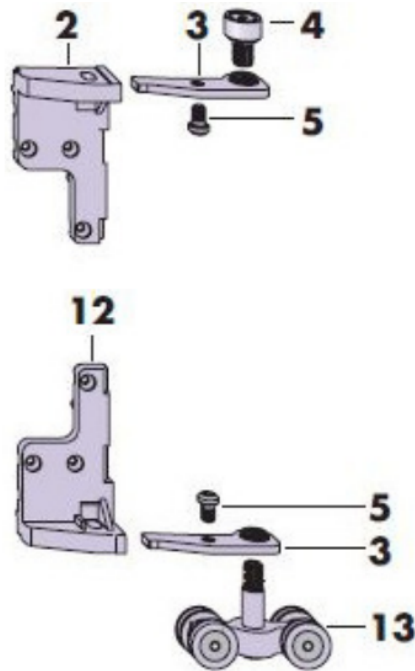


Catalogue not up to date?
Scan the QR or [click here](#)
to view the latest version

[Click to jump back to top](#)

Siegenia Bi-Fold Bogie Wheels

The bogie kit for standard and concealed threshold bi-fold tracks.



Product Code	Description	System	Packaging Unit
PMLG0020-100010	Bogie wheels FS - profile set	FS	1
PMLG0050-100010	Bogie wheels FS - low threshold	FS	1

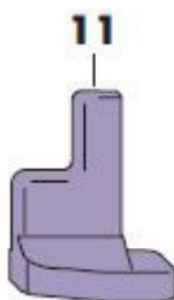


Catalogue not up to date?
Scan the QR or [click here](#)
to view the latest version

[Click to jump back to top](#)

Siegenia Bi-Fold Bogie Cover Cap

Suits FS bi-fold bogie set.



Product Code	Description	System	Colour	Packaging Unit
PMAG0030-002010	Cover cap bogie wheel	FS	white	25
PMAG0030-012010	Cover cap bogie wheel	FS	black / brown	25
PMAG0030-025010	Cover cap bogie wheel	FS	silver	25

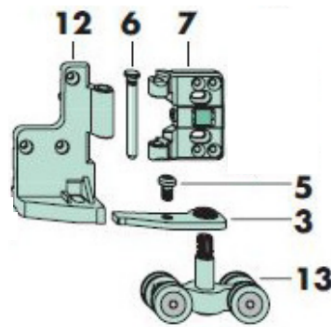
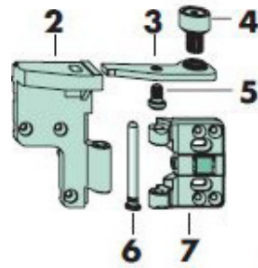


Catalogue not up to date?
Scan the QR or [click here](#)
to view the latest version

[Click to jump back to top](#)

Siegenia Bi-Fold Bogie Wheels DFS

Bogie set for standard and concealed threshold bi-fold tracks, sash hinges incorporated.



Product Code	Description	System	Packaging Unit
PMLG0040-100010	Bogie Wheels D FS Barr Free	DFS	1

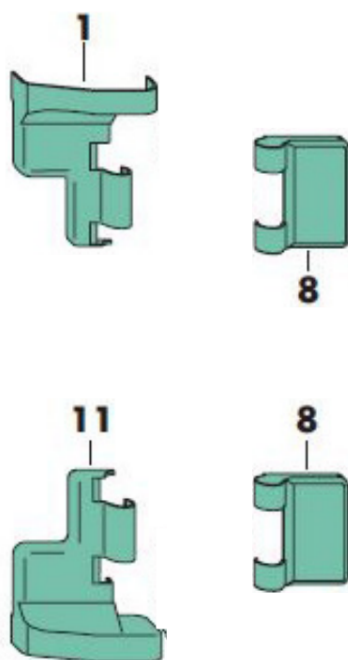


Catalogue not up to date?
Scan the QR or [click here](#)
to view the latest version

[Click to jump back to top](#)

Siegenia Bi-Fold Bogie Cover Cap DFS

Suits DFS bogie set.



Product Code	Description	System	Colour	Packaging Unit
PMAG0040-012010	Cover cap bogie wheel DFS	DFS	black / brown	25
PMAG0040-002010	Cover cap bogie wheel DFS	DFS	white	25
PMAG0040-025010	Cover cap bogie wheel DFS	DFS	silver	25

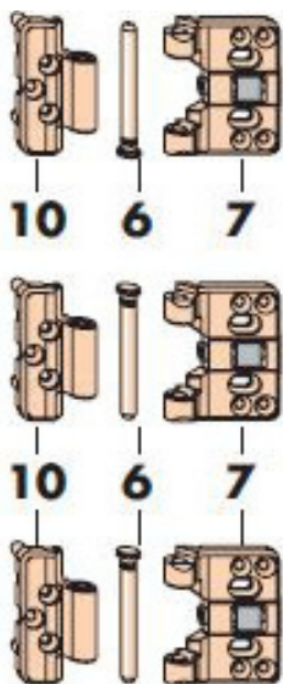


Catalogue not up to date?
Scan the QR or [click here](#)
to view the latest version

[Click to jump back to top](#)

Siegenia Bi-Fold Sash Hinge FS 17/38

Sash hinges for small profiles, 17mm & 38mm coverage.



Product Code	Description	Size	Packaging Unit
PMFG0030-100010	Bi-Fold sash hinge FS	17/38	1

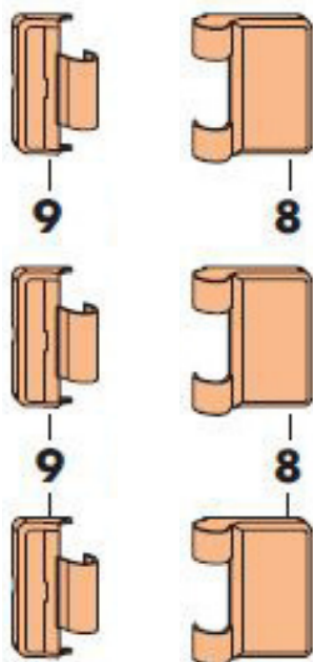


Catalogue not up to date?
Scan the QR or [click here](#)
to view the latest version

[Click to jump back to top](#)

Siegenia Bi-Fold Hinge Cover Cap 17/38

Suits 17/38 bi-fold sash hinges.



Product Code	Description	Size	Colour	Packaging Unit
PMAG0010-002010	FS hinge cover caps	17/38	white	25
PMAG0010-012010	FS hinge cover caps	17/38	black / brown	25
PMAG0010-025010	FS hinge cover caps	17/38	silver	25

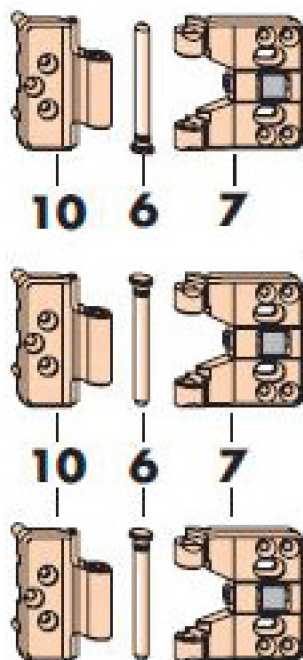


Catalogue not up to date?
Scan the QR or [click here](#)
to view the latest version

[Click to jump back to top](#)

Siegenia Bi-Fold Sash Hinge FS 27/48

Sash hinges for larger profiles, 27mm & 48mm coverage.



Product Code	Description	Size	Packaging Unit
PMFG4020-100010	Bi-Fold sash hinge FS	27/48	1

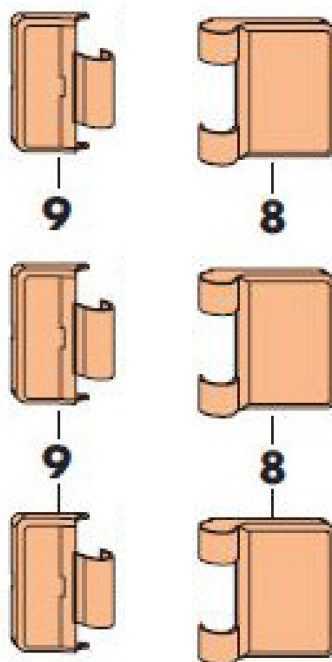


Catalogue not up to date?
Scan the QR or [click here](#)
to view the latest version

[Click to jump back to top](#)

Siegenia Bi-Fold Hinge Cover Cap

Suits 27/48 bi-fold sash hinges.



Product Code	Description	Size	Colour	Packaging Unit
PMAG0020-012010	FS hinge cover caps	27/48	black / brown	25
PMAG0020-002010	FS hinge cover caps	27/48	white	25
PMAG0020-025010	FS hinge cover caps	27/48	silver	25
PMAG0020-023010	FS hinge cover caps	27/48	black	25

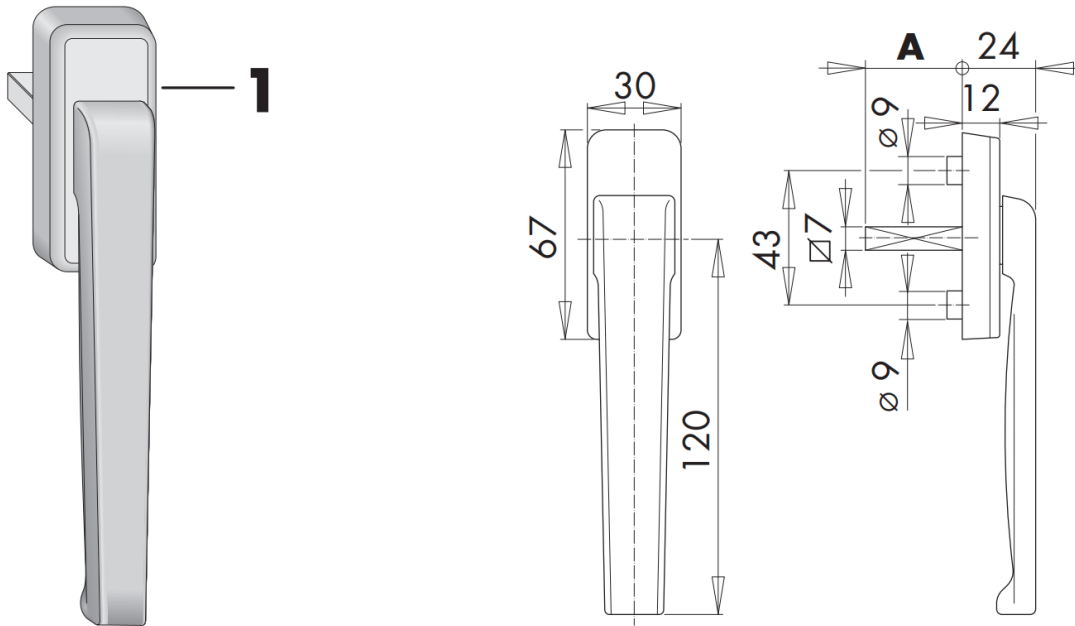


Catalogue not up to date?
Scan the QR or [click here](#)
to view the latest version

[Click to jump back to top](#)

Siegenia Super Flat Bi-Fold Handle

24mm depth off profile face, 7mm thick spindle.



Product Code	Description	Material	Colour	Packaging Unit
PHIG0010-512010	Flat handle for between bi-fold sashes	aluminium	black / brown	10
PHIG0010-502010	Flat handle for between bi-fold sashes	aluminium	white	10
PHIG0010-524010	Flat handle for between bi-fold sashes	aluminium	silver	10

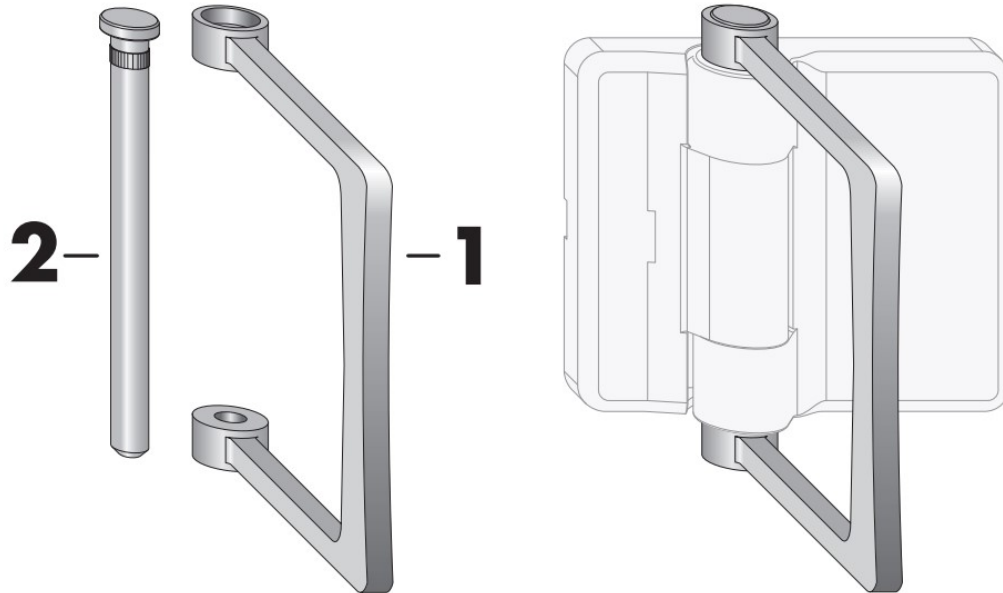


Catalogue not up to date?
Scan the QR or [click here](#)
to view the latest version

[Click to jump back to top](#)

Siegware Bi-Fold Hinge Handle

Fits onto Siegenia FS Bi-Fold sash hinge.



Product Code	Description	Colour	Packaging Unit
PMHG0010-025010	Bifold Pull Handle	Silver	1
PMHG0010-004010	Bifold Pull Handle	White	1

*Note: Handle is supplied raw and needs to be powder coated or polished.

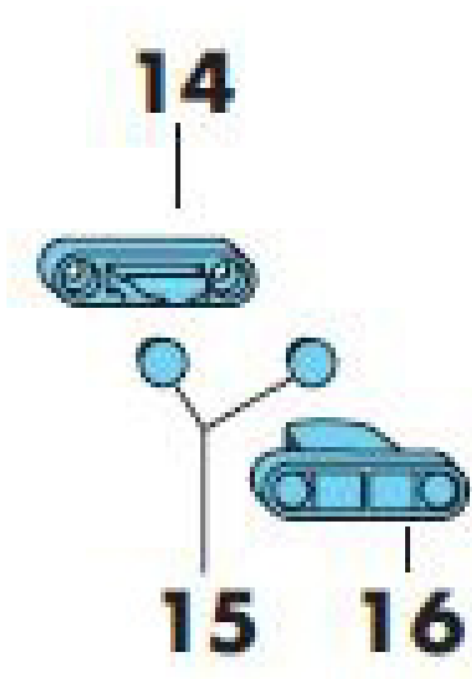


Catalogue not up to date?
Scan the QR or [click here](#)
to view the latest version

[Click to jump back to top](#)

Siegenia Sash Clip

Clips bi-fold sashes together when open.



Product Code	Description	Colour	Packaging Unit
PMZG0020-002010	Sash clip FS	white	1
PMZG0020-012010	Sash clip FS	black / brown	1
PMZG0020-021010	Sash clip FS	grey / silver	1
PMZG0020-023010	Sash clip FS	black	1
PMZG0020-031010	Sash clip FS	middle bronze	1

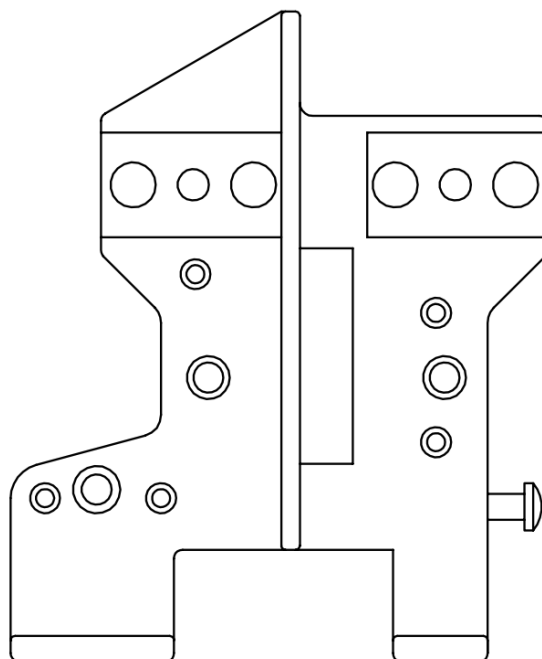


Catalogue not up to date?
Scan the QR or [click here](#)
to view the latest version

[Click to jump back to top](#)

Siegenia EB Bi-Fold Bogie Jig

Bi-fold bogie jig.



Product Code	Description	System	Packaging Unit
PAHG0070-521010	EB bi-fold jig	timber & uPVC	1

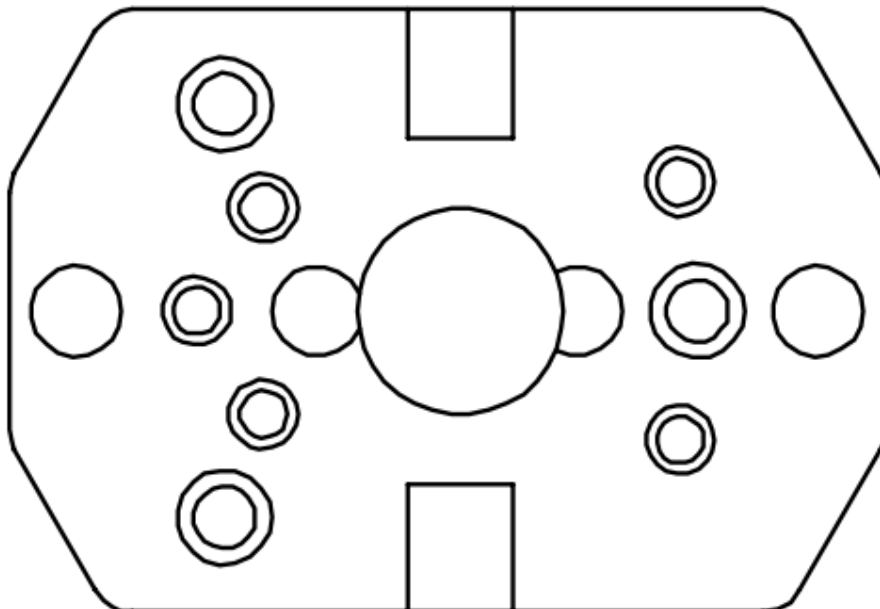


Catalogue not up to date?
Scan the QR or [click here](#)
to view the latest version

[Click to jump back to top](#)

Siegenia EB Bi-Fold Hinge Jig

Bi-fold sash hinge jig.



Product Code	Description	Size	Packaging Unit
PAHG0060-521010	EB bi-fold jig - grey	17/38	1
PAHG0020-521010	EB bi-fold jig	27/48	1

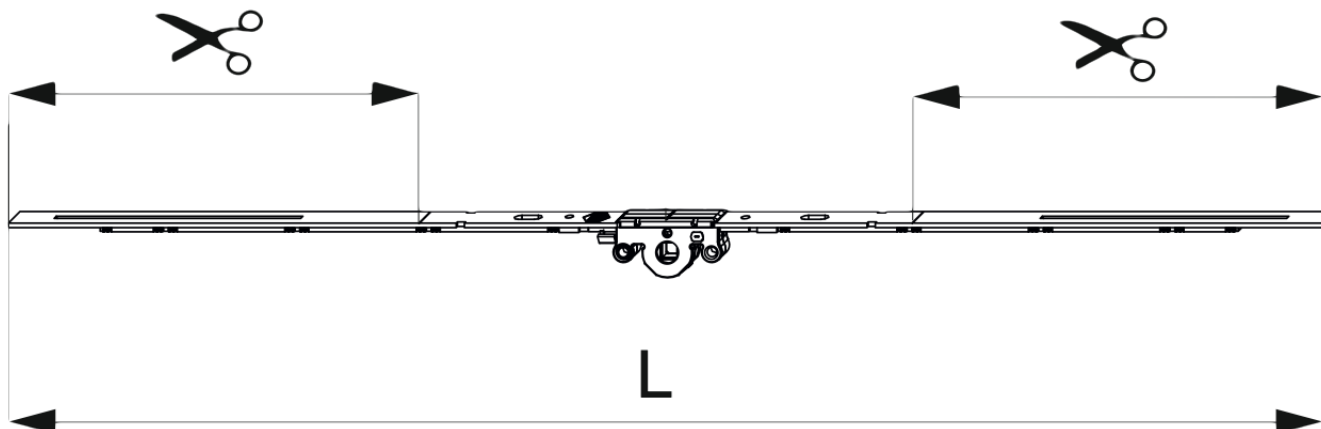


Catalogue not up to date?
Scan the QR or [click here](#)
to view the latest version

[Click to jump back to top](#)

Parallel Slide

Maco turn only drive gear with BS 15mm, VHH, non-lockable & i.S. cam



Product Code	Description	Max. Range	Length	Backset	Cam	SRH	Max. Crop Length	Packaging Unit
201746	Turn only gear with VHH non-lockable	800	640	15	0	470 - 800	200	20
202170	Turn only gear with VHH non-lockable	1250	1040	15	1	801 - 1250	260	20
215408	Turn only gear with VHH non-lockable	1350	1140	15	1	901 - 1350	260	20
202171	Turn only gear with VHH non-lockable	1750	1540	15	2	1251 - 1750	260	10
202172	Turn only gear with VHH non-lockable	2250	2040	15	3	1751 - 2250	260	10

*Please use faceplate restrainer for 201746 to screw it in position

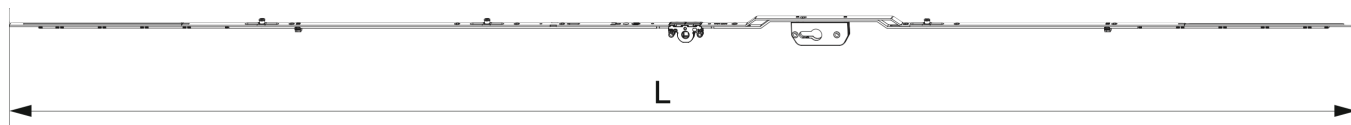


Catalogue not up to date?
Scan the QR or [click here](#)
to view the latest version

[Click to jump back to top](#)

Parallel Slide

Maco turn only drive gear with BS 15mm, VHH, lockable & i.S. cam



Product Code	Description	Max. Range	Length	Backset	Cam	SRH	Max. Crop Length	Packaging Unit
250376	Turn only gear with VHH lockable	2250	2035	15	3	1751 - 2250	260	10

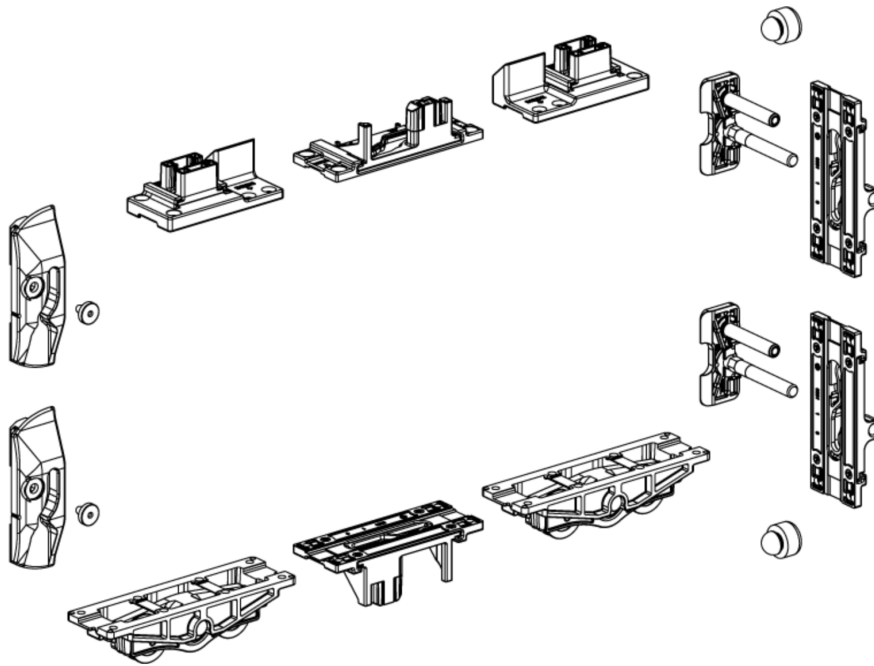


Catalogue not up to date?
Scan the QR or [click here](#)
to view the latest version

[Click to jump back to top](#)

Parallel Slide

Maco Move PS basic carton box with upper and lower parts, including bogies



Product Code	Description	Position	Finish	Maximum Load	Packaging Unit
306472	Box with 2 locking elements & 2 striker plates for drive gear - Left	Left	Silver	200 Kg	1
306473	Box with 2 locking elements & 2 striker plates for drive gear - Right	Right	Silver	200 Kg	1
306503	Box with 4 locking elements & without striker plates - Left	Left	Silver	200 Kg	1
306504	Box with 4 locking elements & without striker plates - Right	Right	Silver	200 Kg	1

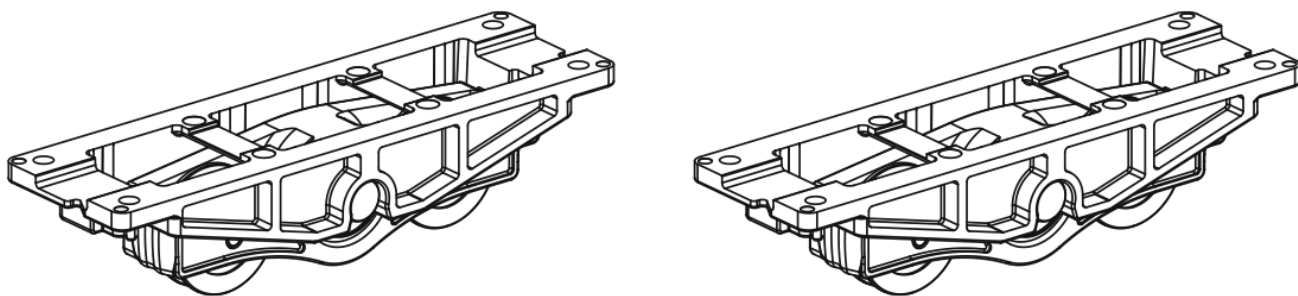


Catalogue not up to date?
Scan the QR or [click here](#)
to view the latest version

[Click to jump back to top](#)

Parallel Slide

Maco Move PS bogies for increased weight carrying capacity upto 250 Kg.



Product Code	Description	Position	Finish	Maximum Load	Packaging Unit
306405	Additional Roller Package	Left & Right	Silver	250 Kg	1

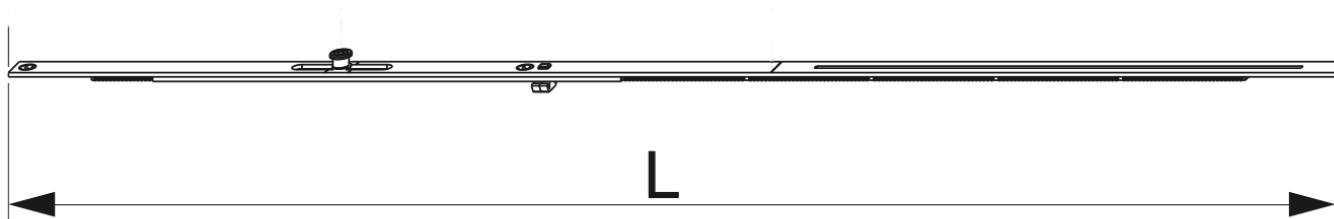


Catalogue not up to date?
Scan the QR or [click here](#)
to view the latest version

[Click to jump back to top](#)

Parallel Slide

Maco width extensions - Extendable with i.S. cam



Product Code	Description	Max. Range	Length	Cam	Finish	SRW	Max. Crop Length	Packaging Unit
210380	Width connector	900	681.5	1	Silver	620 - 900	290	20
210381	Width connector	1150	931.5	1	Silver	901 - 1150	260	20
210382	Width connector	1400	1181.5	2	Silver	1151 - 1400	260	20
210383	Width connector	1650	1431.5	2	Silver	1401 - 1650	260	10

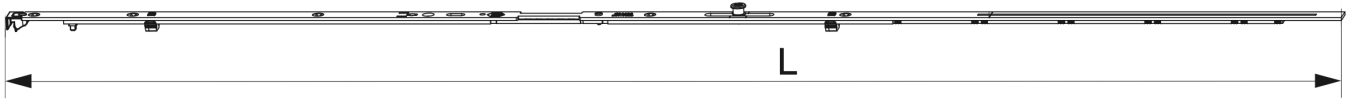


Catalogue not up to date?
Scan the QR or [click here](#)
to view the latest version

[Click to jump back to top](#)

Parallel Slide

Maco height extensions - Extendable with i.S. Cam



Product Code	Description	Max. Range	Cam	Finish	SRH	Packaging Unit
210335	Height connector	1090	1	Silver	841 - 1090	10
210336	Height connector	1340	1	Silver	1091 - 1340	10
210337	Height connector	1590	2	Silver	1341 - 1590	10
210338	Height connector	1700	2	Silver	1591 - 1700	10
210339	Height connector	1950	3	Silver	1701 - 1950	10
210340	Height connector	2200	3	Silver	1951 - 2200	10
210341	Height connector	2450	4	Silver	2201 - 2450	10

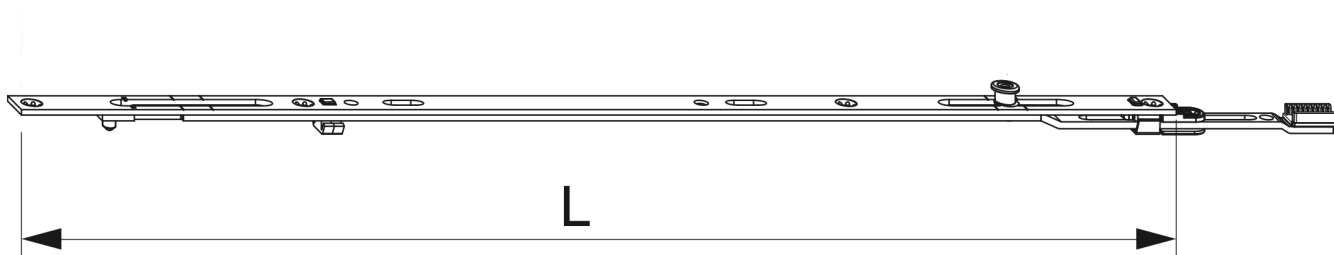


Catalogue not up to date?
Scan the QR or [click here](#)
to view the latest version

[Click to jump back to top](#)

Parallel Slide

Maco faceplate extensions - Extendable with i.S. Cam



Product Code	Description	Length	Cam	Finish	Packaging Unit
201840	Centre lock extention - extendable	470	1	Silver	20
201750	Faceplate extension - extendable	235	1	Silver	20

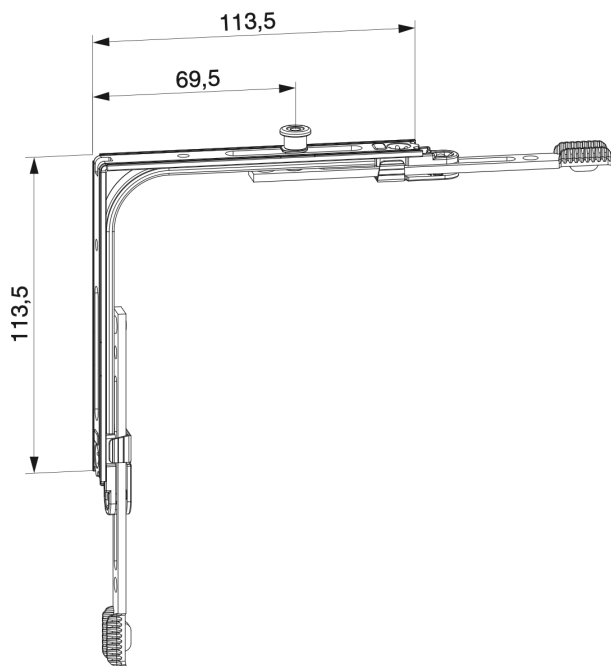


Catalogue not up to date?
Scan the QR or [click here](#)
to view the latest version

[Click to jump back to top](#)

Parallel Slide

Maco corner drive with i.S. cam



Product Code	Description	Cam	Finish	SRW	SRH	Screws	Packaging Unit
222201	Corner Drive with i.S. cam	1	Silver	320 - 1800	360 - 2800	4	50

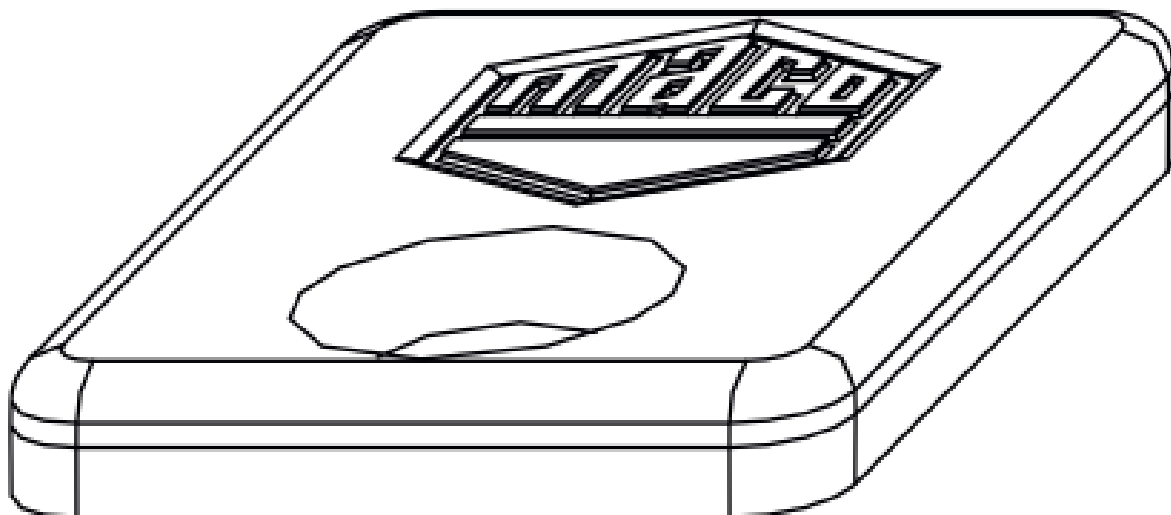


Catalogue not up to date?
Scan the QR or [click here](#)
to view the latest version

[Click to jump back to top](#)

Parallel Slide

Maco face plate restrainer to lock short driver gear with corner drive



Product Code	Description	Finish	Packaging Unit
213287	Face Plate Restrainer	Silver	100

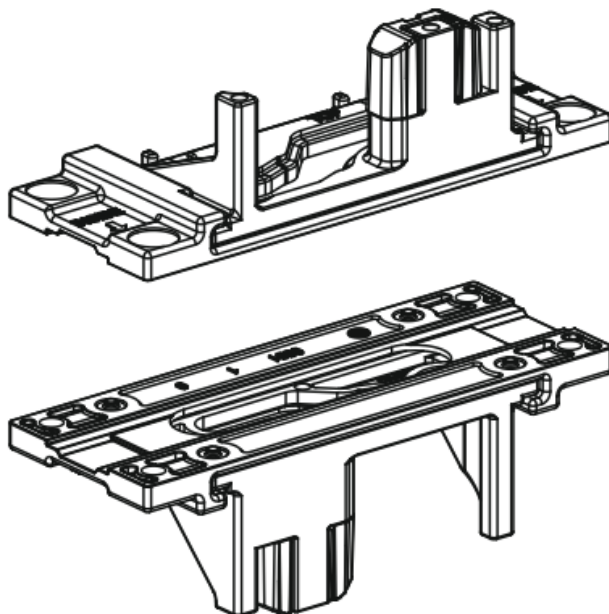


Catalogue not up to date?
Scan the QR or [click here](#)
to view the latest version

[Click to jump back to top](#)

Parallel Slide

Maco Move PS additional package of locking elements for linkages with multiple cams



Product Code	Description	Position	Finish	Packaging Unit
306403	Locking element package for top and bottom	Left	Silver	10
306404	Locking element package for top and bottom	Right	Silver	10

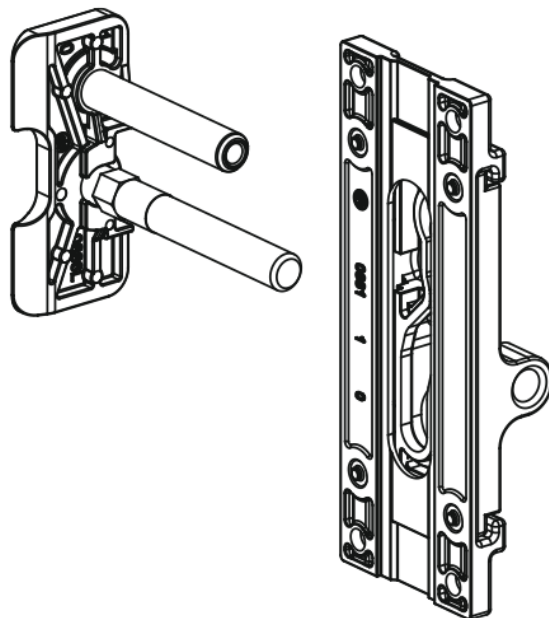


Catalogue not up to date?
Scan the QR or [click here](#)
to view the latest version

[Click to jump back to top](#)

Parallel Slide

Maco Move PS additional package of locking elements for added security for centre



Product Code	Description	Position	Finish	Packaging Unit
306474	Locking element package for centre	Left	Silver	10
306475	Locking element package for centre	Right	Silver	10

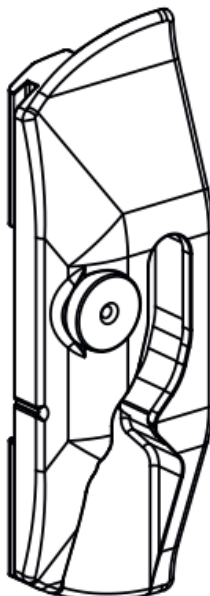


Catalogue not up to date?
Scan the QR or [click here](#)
to view the latest version

[Click to jump back to top](#)

Parallel Slide

Maco Move PS Striker plates for the drive gear



Product Code	Description	Position	Finish	Packaging Unit
306400	Striker plates for the drive gear	Left	Silver	20
306401	Striker plates for the drive gear	Right	Silver	20

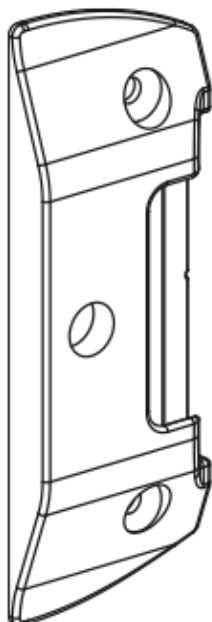


Catalogue not up to date?
Scan the QR or [click here](#)
to view the latest version

[Click to jump back to top](#)

Parallel Slide

Maco Move PS Striker plates for the centre lock - Aluplast



Product Code	Description	Position	Finish	Packaging Unit
306544	Striker plates for the centre lock	Left & Right	Silver	20

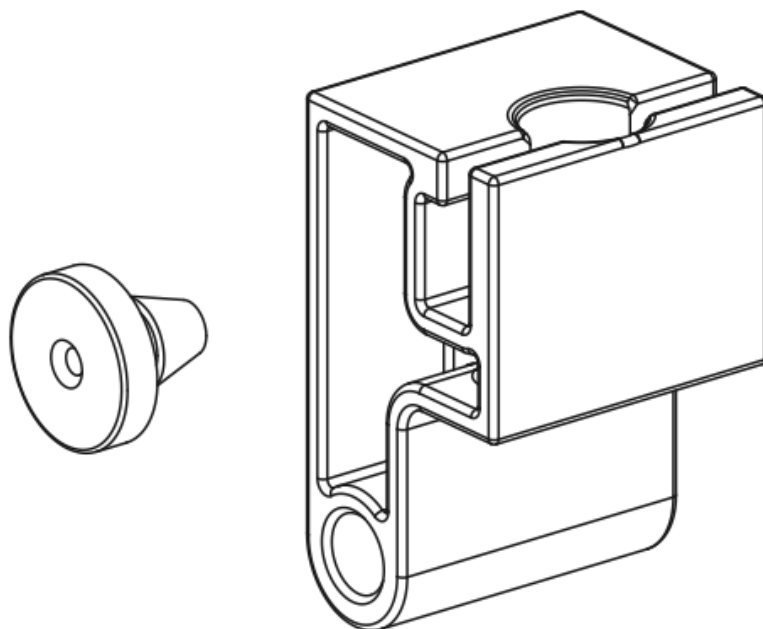


Catalogue not up to date?
Scan the QR or [click here](#)
to view the latest version

[Click to jump back to top](#)

Parallel Slide

Maco Move PS stopper for guide track



Product Code	Description	Finish	Packaging Unit
306505	Stopper for guide track	Grey	5

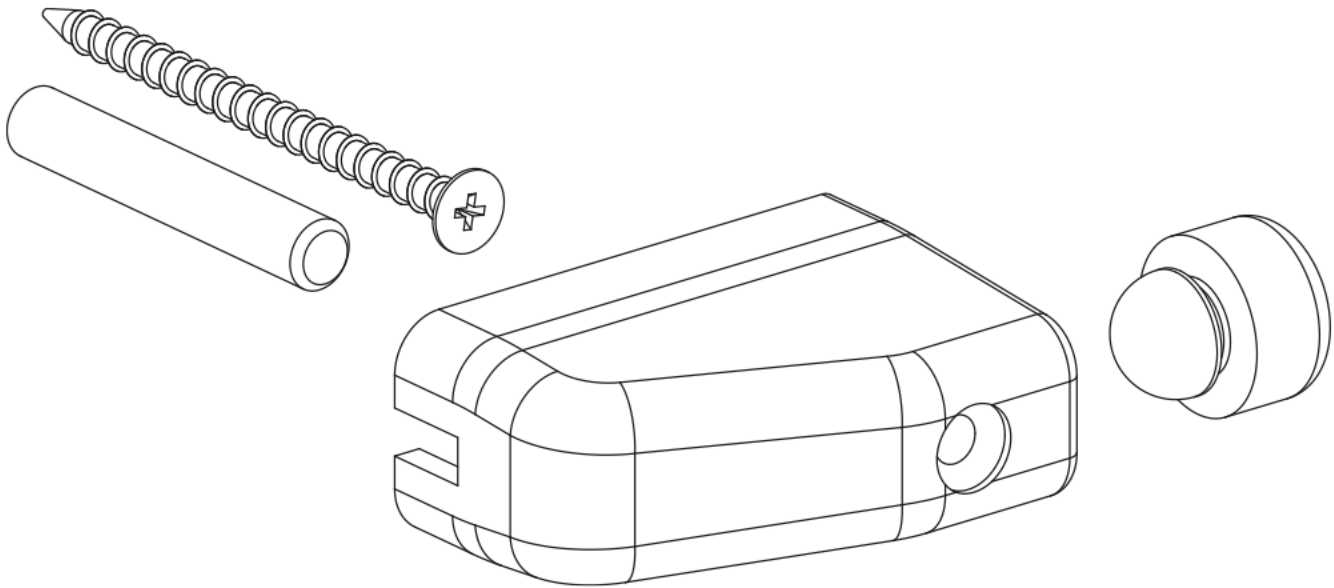


Catalogue not up to date?
Scan the QR or [click here](#)
to view the latest version

[Click to jump back to top](#)

Parallel Slide

Maco Move PS stopper for roller track



Product Code	Description	Finish	Packaging Unit
306521	Stopper for roller track - complete kit	White	5
306522	Stopper for roller track - complete kit	Black	5
306523	Stopper for roller track - complete kit	Grey	5
187480	Stopper for roller track with long bolts - complete kit	White	5
187477	Stopper for roller track with long bolts - complete kit	Black	1
239855	Stopper for roller track with long bolts - complete kit	Grey	5

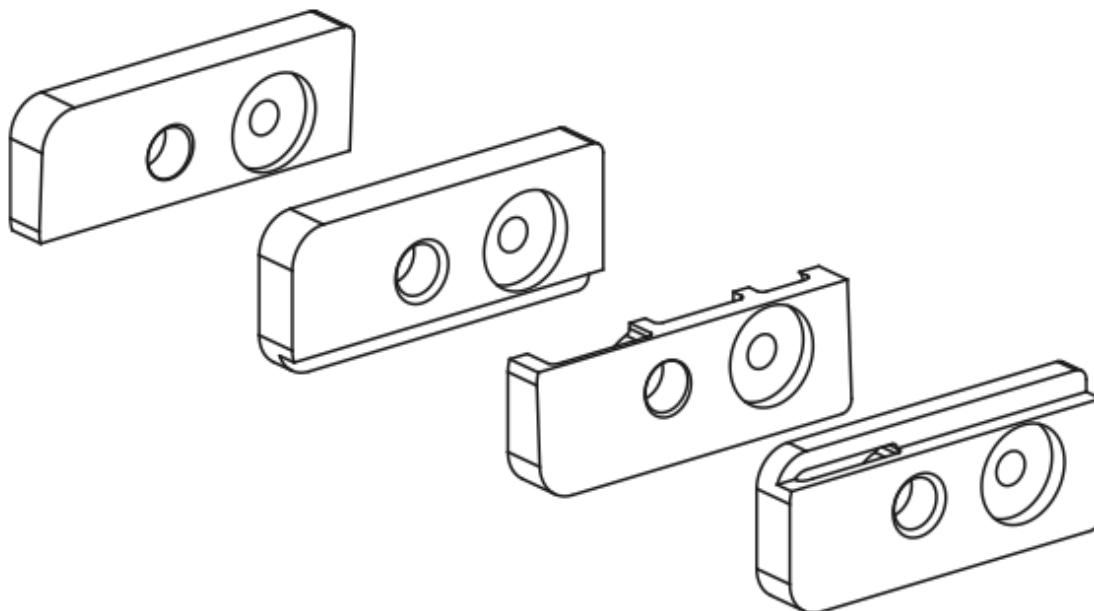


Catalogue not up to date?
Scan the QR or [click here](#)
to view the latest version

[Click to jump back to top](#)

Parallel Slide

Maco Move PS plastic cover for centre lock



Product Code	Description	Finish	Packaging Unit
306563	Plastic cover for centre lock	White	5
306564	Plastic cover for centre lock	Black	5
306565	Plastic cover for centre lock	Grey	5

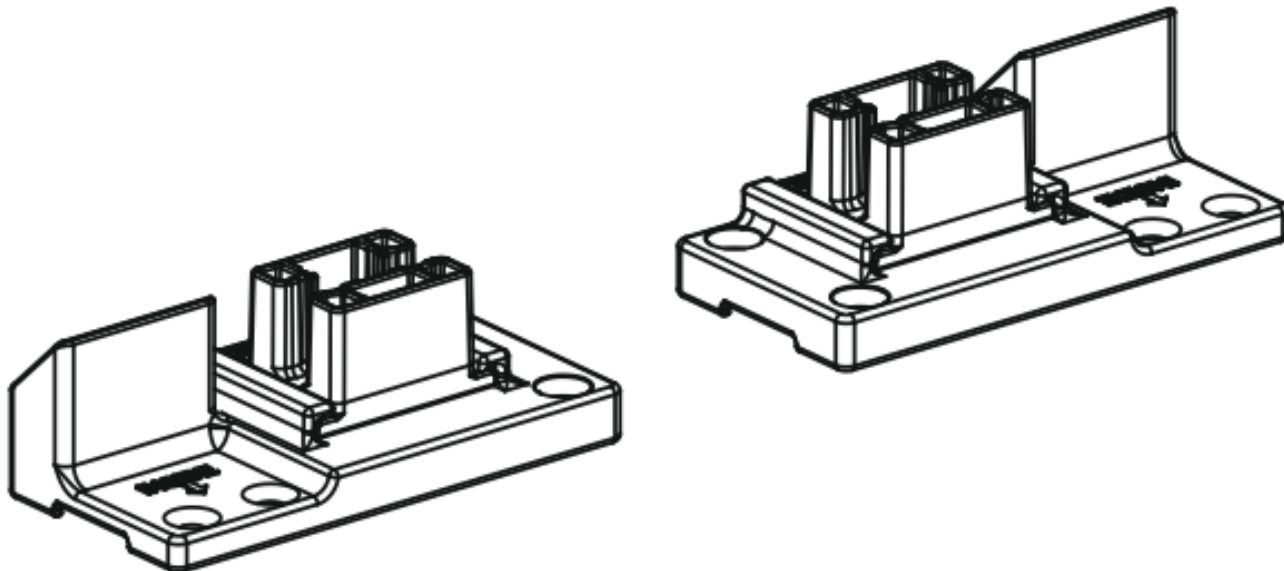


Catalogue not up to date?
Scan the QR or [click here](#)
to view the latest version

[Click to jump back to top](#)

Parallel Slide

Maco Move PS additional slider for guide track top and bottom



Product Code	Description	Finish	Packaging Unit
306408	Slider for guide track, top and bottom	Silver	1

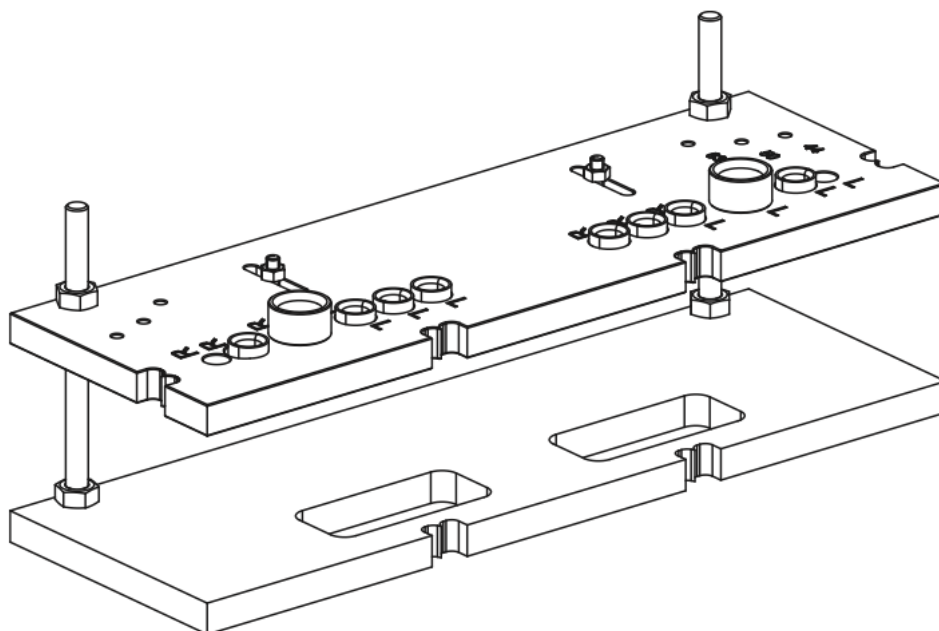


Catalogue not up to date?
Scan the QR or [click here](#)
to view the latest version

[Click to jump back to top](#)

Parallel Slide

Maco Move PS jig for centre drill and finger pull handle



Product Code	Description	Packaging Unit
250443	Jig for centre drill and finger pull handle	1

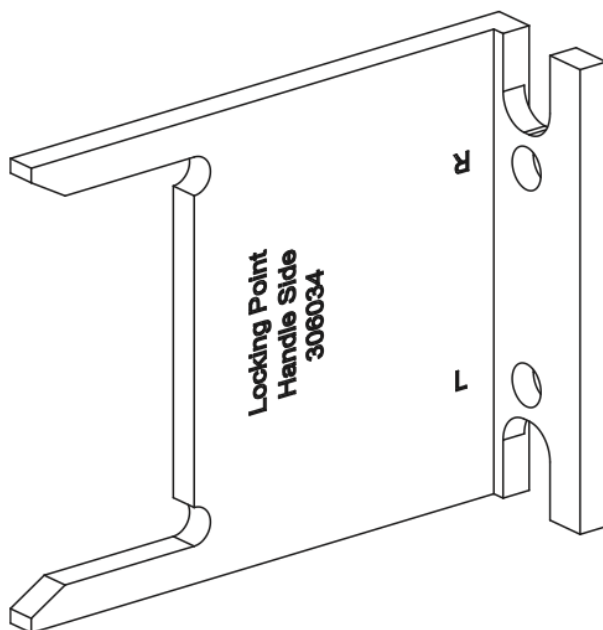


Catalogue not up to date?
Scan the QR or [click here](#)
to view the latest version

[Click to jump back to top](#)

Parallel Slide

Maco Move PS jig for striker positioning on the drive gear side



Product Code	Description	Packaging Unit
485032	Jig for striker positioning on the drive gear side	1

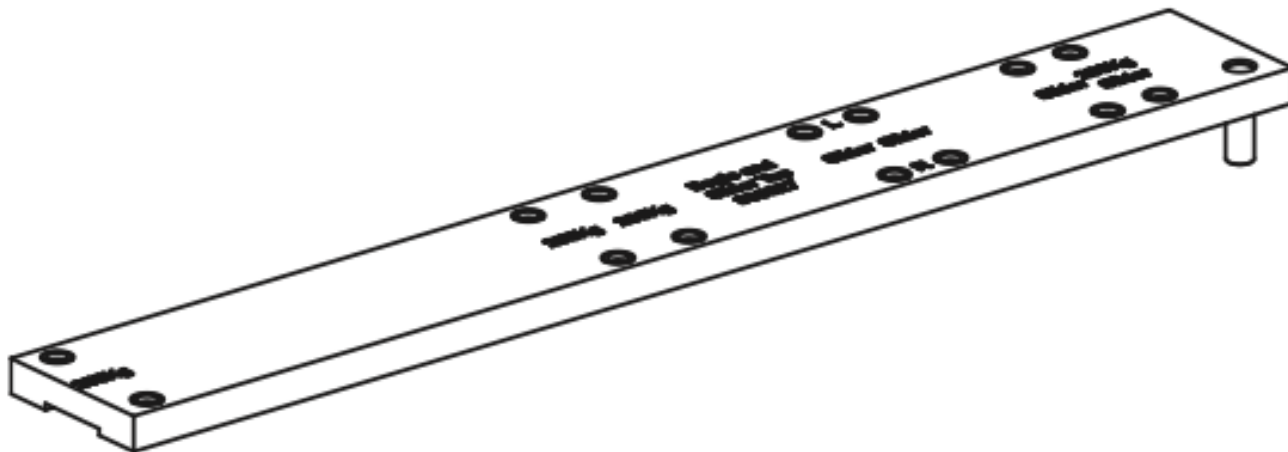


Catalogue not up to date?
Scan the QR or [click here](#)
to view the latest version

[Click to jump back to top](#)

Parallel Slide

Maco Move PS jig for sliders and rollers - Scheme A



Product Code	Description	Packaging Unit
485033	Jig for sliders and rollers - Scheme A	1

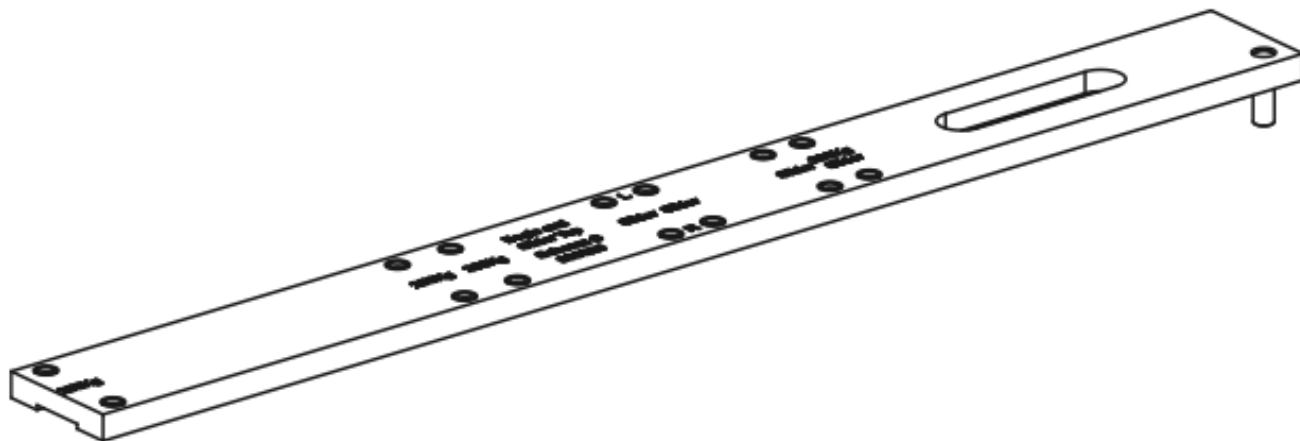


Catalogue not up to date?
Scan the QR or [click here](#)
to view the latest version

[Click to jump back to top](#)

Parallel Slide

Maco Move PS jig for sliders and rollers - Scheme C



Product Code	Description	Packaging Unit
485231	Jig for sliders and rollers - Scheme C	1

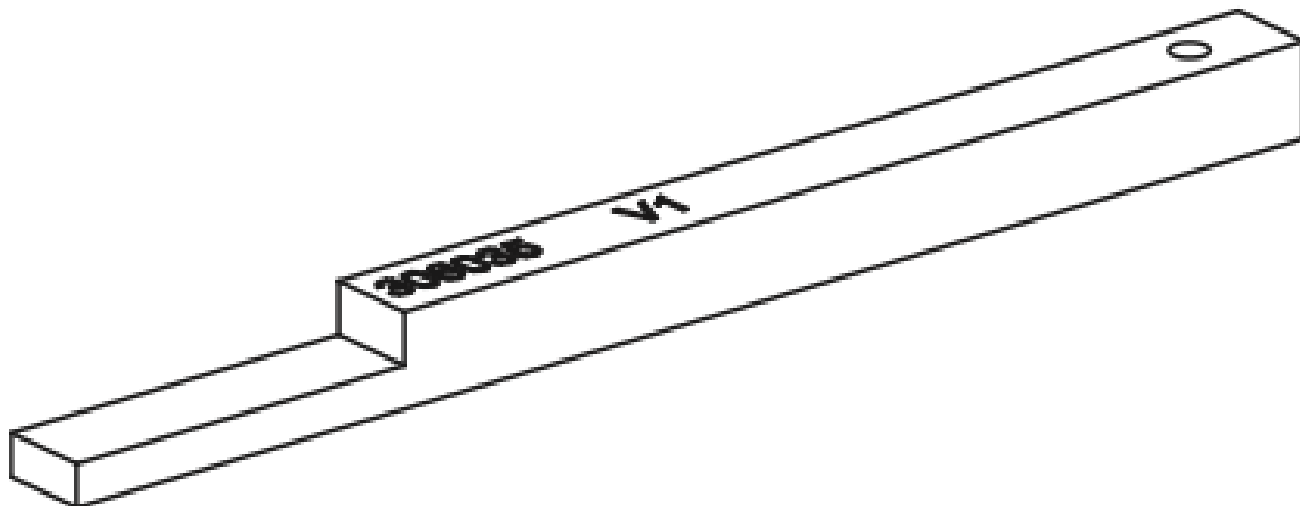


Catalogue not up to date?
Scan the QR or [click here](#)
to view the latest version

[Click to jump back to top](#)

Parallel Slide

Maco Move PS jig for centre lock adjustment - Aluplast



Product Code	Description	Packaging Unit
485035	Jig for centre lock adjustment	1

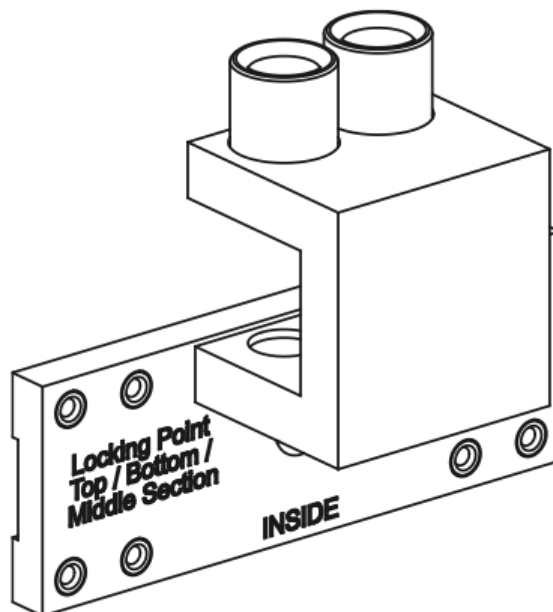


Catalogue not up to date?
Scan the QR or [click here](#)
to view the latest version

[Click to jump back to top](#)

Parallel Slide

Maco Move PS jig for centre lock



Product Code	Description	Packaging Unit
485034	Jig for centre lock	1

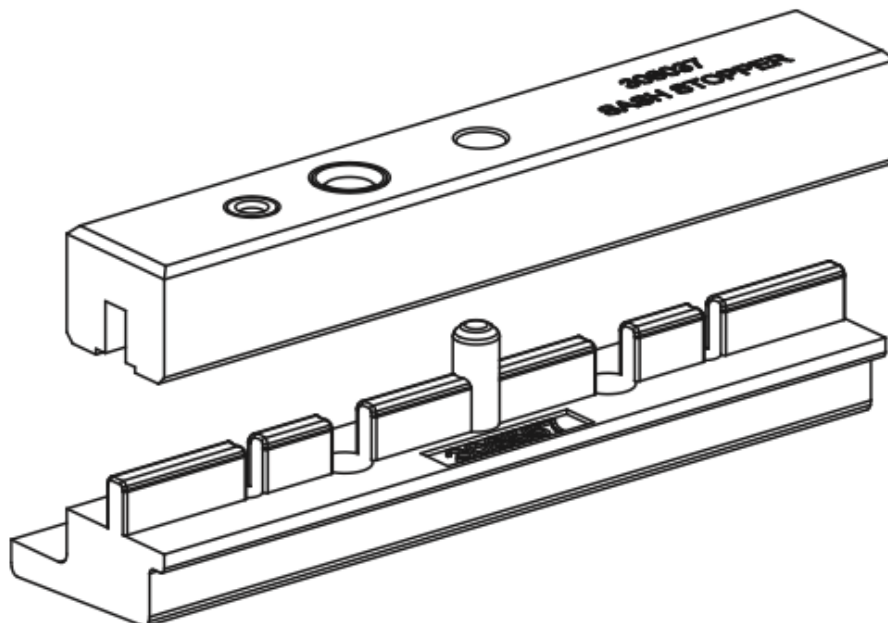


Catalogue not up to date?
Scan the QR or [click here](#)
to view the latest version

[Click to jump back to top](#)

Parallel Slide

Maco Move PS jig for both guide and roller track stoppers



Product Code	Description	Packaging Unit
306571	Jig for stoppers	1

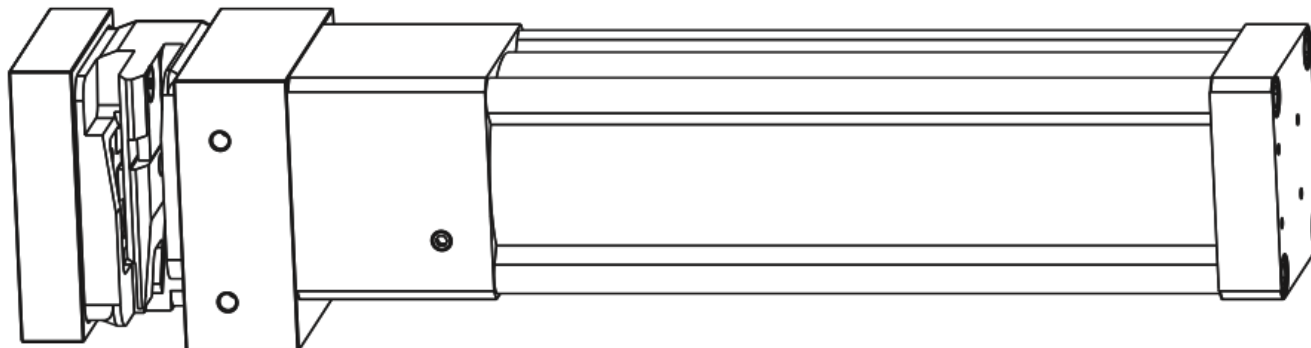


Catalogue not up to date?
Scan the QR or [click here](#)
to view the latest version

[Click to jump back to top](#)

Parallel Slide

Maco hardware croppers - Pneumatic



Product Code	Description	Position	Packaging Unit
455008	Pneumatic cropper	Left	1
455009	Pneumatic cropper	Right	1

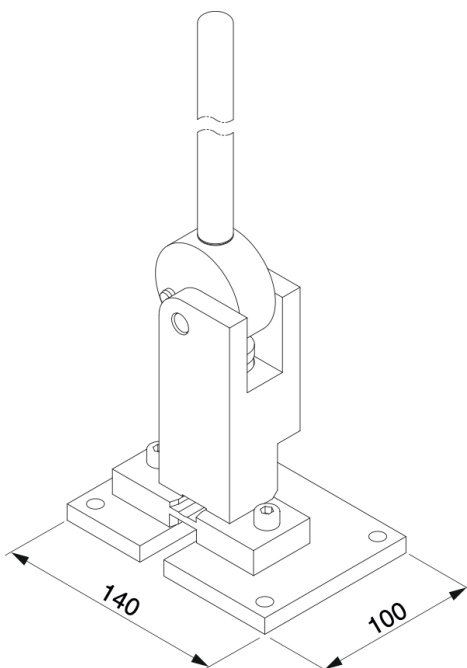


Catalogue not up to date?
Scan the QR or [click here](#)
to view the latest version

[Click to jump back to top](#)

Parallel Slide

Maco hardware croppers - Manual table top



Product Code	Description	Packaging Unit
462516	Manual hardware cropper	1

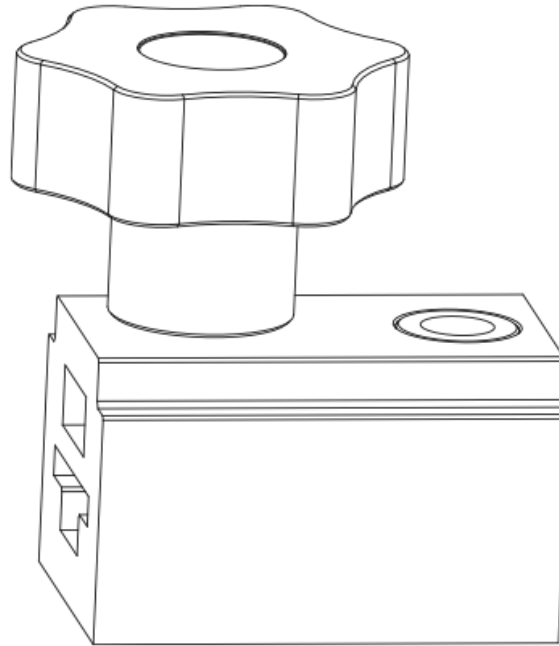


Catalogue not up to date?
Scan the QR or [click here](#)
to view the latest version

[Click to jump back to top](#)

Parallel Slide

Maco hardware cropping aid for offset punch



Product Code	Description	Packaging Unit
463153	Cropping aid for offset punch	1



Catalogue not up to date?
Scan the QR or [click here](#)
to view the latest version

[Click to jump back to top](#)

Siegenia CS Sliding System

Sliding gears



Product Code	Description	Length	FFH	P.U.
702802	Drive gear PZ-17	1000	1000-1800	10

*Dimensions (mm)



Catalogue not up to date?
Scan the QR or [click here](#)
to view the latest version

[Click to jump back to top](#)

Siegenia CS Sliding System

Extensions



Product Code	Description	Length	FFH	P.U.
PGZD0020-100010	Top Extension	500	1801-2300	10
PGZD0050-100020	Bottom Extension	500	1801-2300	50

*Dimensions (mm)

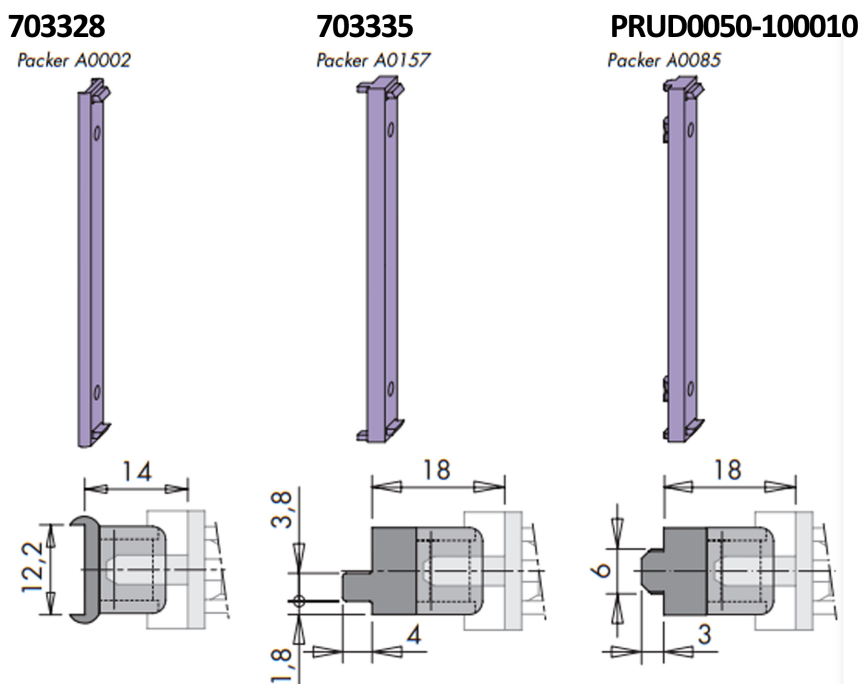


Catalogue not up to date?
Scan the QR or [click here](#)
to view the latest version

[Click to jump back to top](#)

Siegenia CS Sliding System

Sliding Distance pieces



Product Code	Description	Profile	P.U.
703328	Distance piece	Rehau	100
703335	Distance piece	Kommerling c70	100
PRUD0050-100010	Distance piece	Deceuninck Zendow	100



Catalogue not up to date?
Scan the QR or [click here](#)
to view the latest version

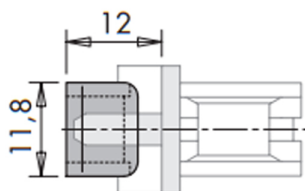
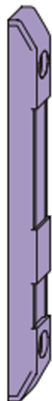
[Click to jump back to top](#)

Siegenia CS Sliding System

Sliding Strikers

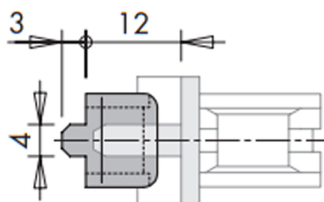
702987

Standard striker



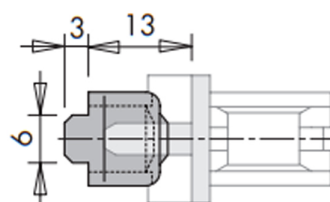
702994

Striker A0010



703007

Striker A01 16



Product Code	Description	Profile	P. U.
702987	Striker plate	Aluplast&Kom.C70&Rehau&Dec.Zendow/Timber	100
702994	Striker plate	Kommerling C70	100
703007	Striker plate	Veka	100

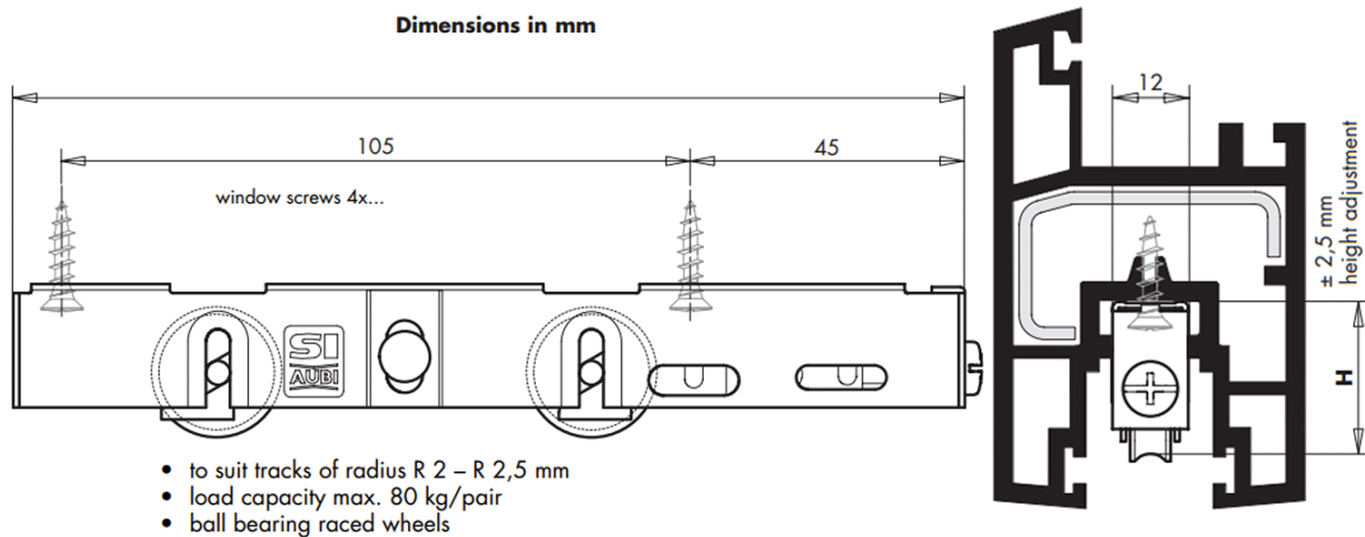


Catalogue not up to date?
Scan the QR or [click here](#)
to view the latest version

[Click to jump back to top](#)

Siegenia CS80 Bogie

Ball bearing wheels to suit tracks of radius R2 - R2.5mm, load capacity maximum 80kg per pair.



Product Code	Description	Dim. H (in mm)	Material	Packaging Unit
PLWD0010-000010	Bogie CS 80kg	21	stainless steel	10
PLWD0040-000010	Bogie CS 80kg	24	stainless steel	10
PLWD0080-000010	Bogie CS 80kg	17	stainless steel	10

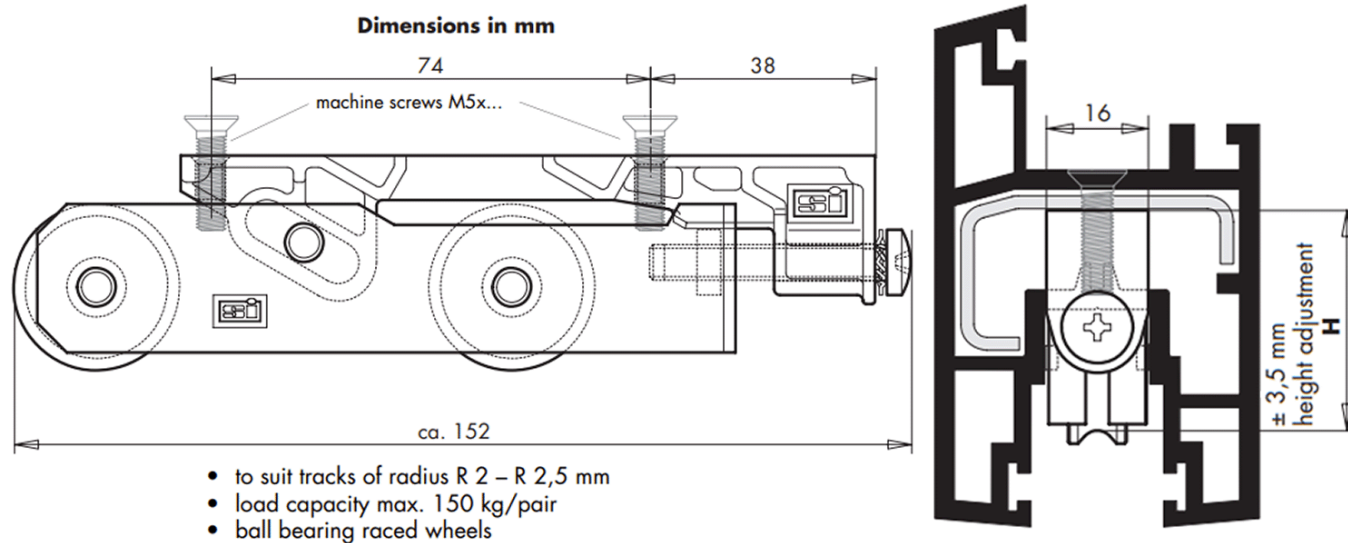


Catalogue not up to date?
Scan the QR or [click here](#)
to view the latest version

[Click to jump back to top](#)

Siegenia 150 Bogie

Ball bearing wheels to suit tracks of radius R2 - R2.5mm, load capacity maximum 150kg per pair.



Product Code	Description	Dim. H (in mm)	Material	Packaging Unit
828298	Bogie CS 150kg	44	stainless steel	20
828304	Bogie CS 150kg	37	stainless steel	20



Catalogue not up to date?
Scan the QR or [click here](#)
to view the latest version

[Click to jump back to top](#)

Stainless steel patio Roller

Eurogroove fit, suitable for timber, uPVC and aluminium

Technical details and features:

Up to **8mm** adjustment

Tested to 50'000 cycles

weight rating of 80kg per **2 roller assembly**



Product Code	Material	Packaging Unit
TH-WE57792212.5/S	stainless steel	1



Catalogue not up to date?
Scan the QR or [click here](#)
to view the latest version

[Click to jump back to top](#)

Patio Stop



Product Code	Description	Colour	Box Quantity
DS038-SIL	Stop for patio sliding doors	Silver	10
DS038-WHT	Stop for patio sliding doors	White	10
DS038-BLK	Stop for patio sliding doors	Black	10



Catalogue not up to date?
Scan the QR or [click here](#)
to view the latest version

[Click to jump back to top](#)

Sliding Gear

Sliding gear with BS7.5mm - SS304



Product Code	Description	Length	Cams	Finish	Backset	Packaging Unit
KESPG-SL-BS7.5-L280-C-SS304	Gear BS7.5 280mm 2 Cams - SS304	280	2	Silver	7.5	25
KESPG-SL-BS7.5-L400-C-SS304	Gear BS7.5 400mm 2 Cams - SS304	400	2	Silver	7.5	25
KESPG-SL-BS7.5-L600-C-SS304	Gear BS7.5 600mm 2 Cams - SS304	600	2	Silver	7.5	25
KESPG-SL-BS7.5-L800-C-SS304	Gear BS7.5 800mm 2 Cams - SS304	800	2	Silver	7.5	25
KESPG-SL-BS7.5-L1000-C-SS304	Gear BS7.5 1000mm 3 Cams - SS304	1000	3	Silver	7.5	25
KESPG-SL-BS7.5-L1200-C-SS304	Gear BS7.5 1200mm 3 Cams - SS304	1200	3	Silver	7.5	25



Catalogue not up to date?
Scan the QR or [click here](#)
to view the latest version

[Click to jump back to top](#)

Sliding Gear

Sliding gear with BS15mm - Lockable - SS304



Product Code	Description	Length	Cams	Finish	Backset	Packaging Unit
KESPG-SL-BS15-K168-L1800-C-SS	Gear BS15 PZ 1800mm 4 Cams - Lockable - SS304	1800	4	Silver	15	25



Catalogue not up to date?
Scan the QR or [click here](#)
to view the latest version

[Click to jump back to top](#)

Sliding Striker

Sliding striker with 2mm packer - SS304



Product Code	Description	Packaging Unit
KELMISC00060	Sheet metal striker with 2mm packer - SS304	100



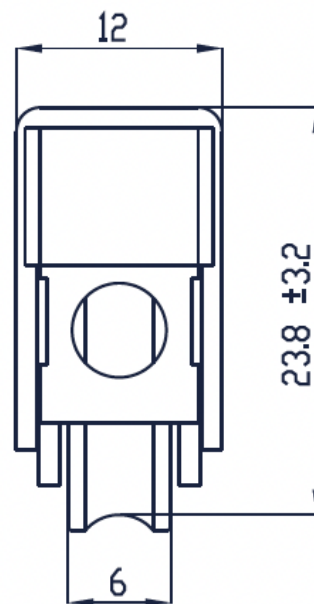
Catalogue not up to date?
Scan the QR or [click here](#)
to view the latest version

[Click to jump back to top](#)

Sliding Rollers

Sliding adjustable tandem roller - Nylon Rollers - 100 Kg - SS304

This item comes in pairs.



Product Code	Description	Load Capacity	Packaging Unit
KRO-12SP	Adjustable tandem roller with nylon rollers - SS304	100 kg / Pair	100

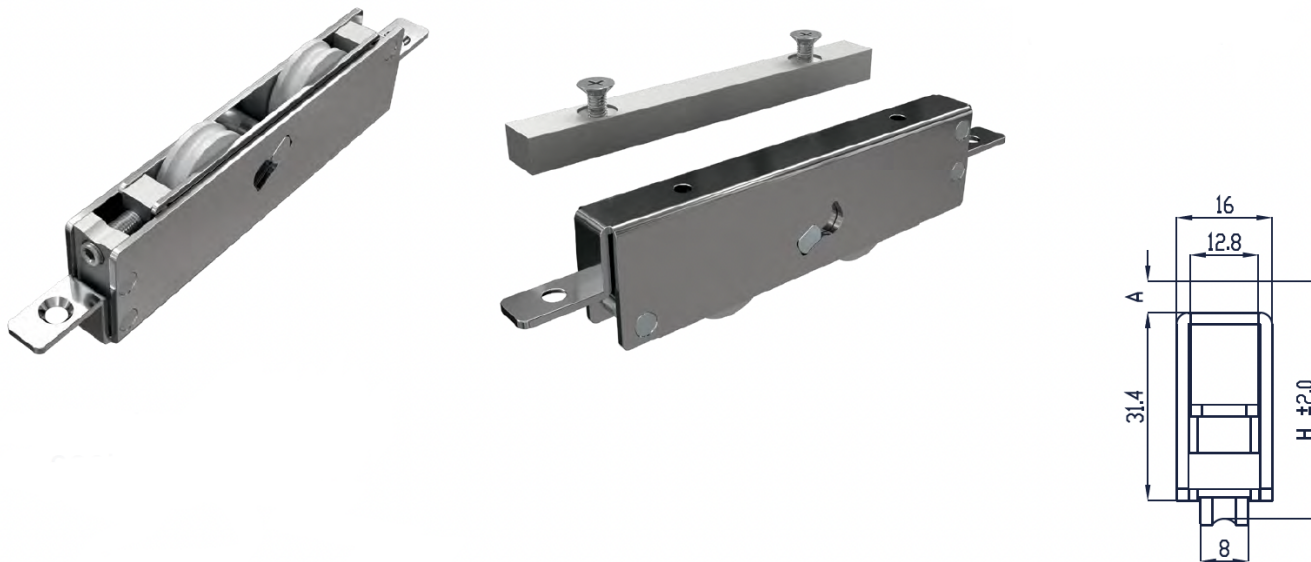


Catalogue not up to date?
Scan the QR or [click here](#)
to view the latest version

[Click to jump back to top](#)

Sliding Rollers

Sliding adjustable heavy duty tandem roller - Nylon Rollers - 200 Kg - SS304



Product Code	Description	Load Capacity	Packaging Unit
KRO-32	Heavy duty adjustable tandem roller with nylon rollers - SS304	200 Kg / Pair	50
KRO-32-SP8	Heavy duty adjustable tandem roller with nylon rollers with 8mm packer - SS304	200 Kg / Pair	50

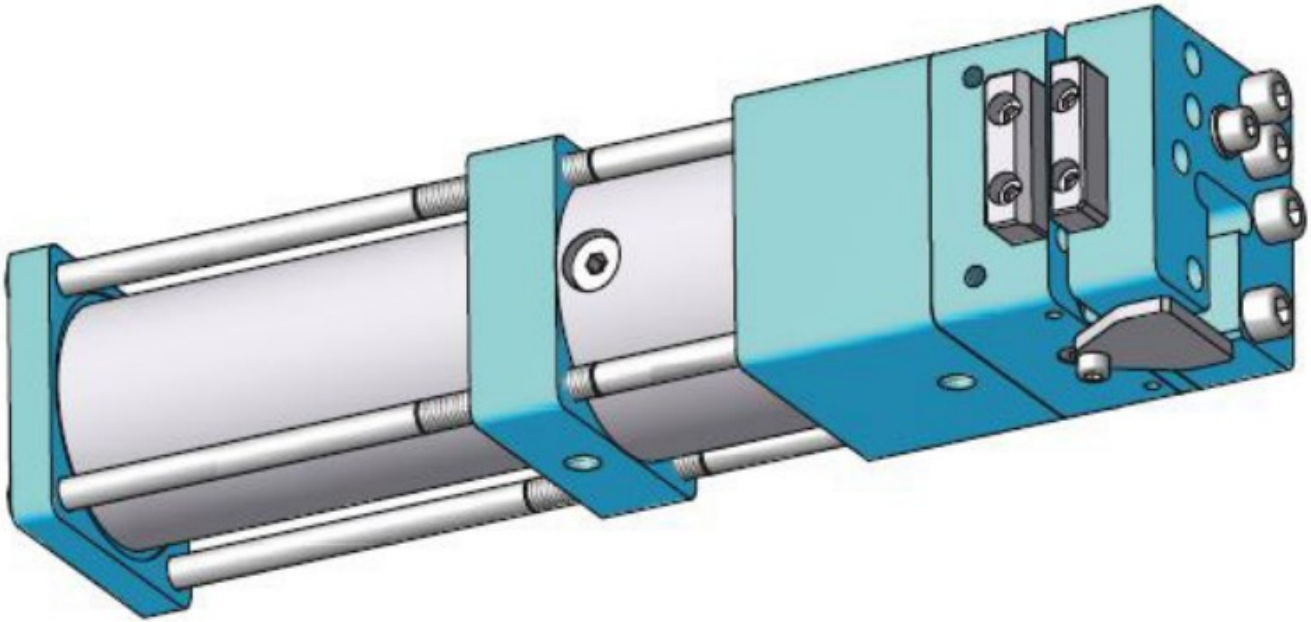


Catalogue not up to date?
Scan the QR or [click here](#)
to view the latest version

[Click to jump back to top](#)

Siegenia Hardware Cropper

The punching machine is used to shorten fittings that can be cut to length.



Product Code	Description	Side	Packaging Unit
ZAAV0241-000011	Hardware cropper	right	1
ZAAV0242-000011	Hardware cropper	left	1
ZAAV0231-000011	Slider R AF	right	1
ZAAV0232-000011	Slider L AF	left	1
ZAAV0151-000011	Slide rail	right	1
ZAAV0152-000011	Slide rail	left	1
158487	Base frame mill finish	right or left	1

**Note: Only hardware cropper shown

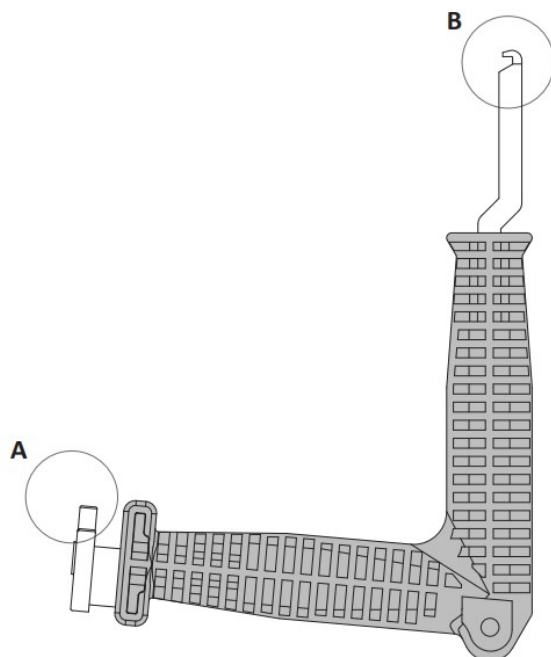


Catalogue not up to date?
Scan the QR or [click here](#)
to view the latest version

[Click to jump back to top](#)

Siegenia Window Assembly Key

To enable easy removal of the top hinge pin and operate the window spindle



Product Code	Description	Colour	Packaging Unit
ZAEW0030-023011	Window assembly key	RAL 9005 Black	1
ZAEW0070-100010	Window assembly key	Silver	1

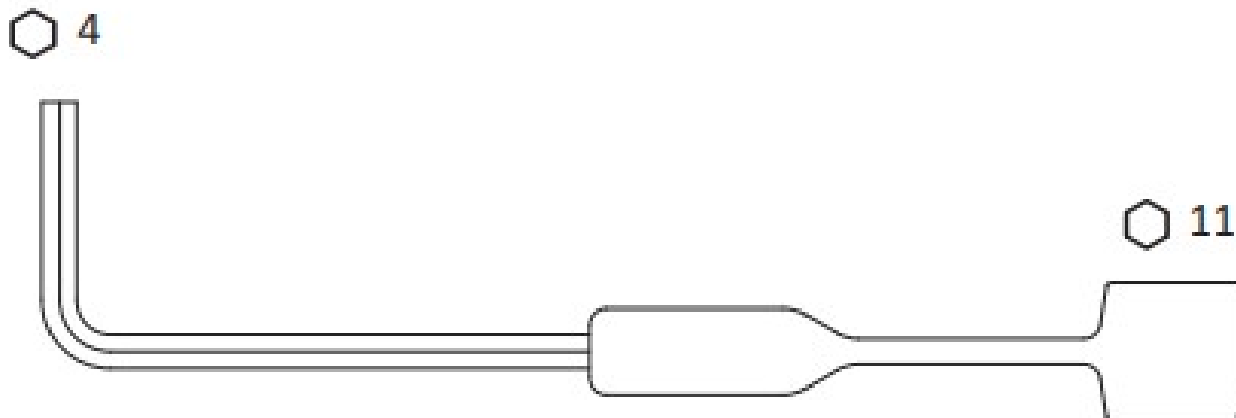


Catalogue not up to date?
Scan the QR or [click here](#)
to view the latest version

[Click to jump back to top](#)

Siegenia Spanner Allen Key

For adjusting roller and mushroom cam compression.



Product Code	Description	Packaging Unit
157756	Spanner allen key	1



Catalogue not up to date?
Scan the QR or [click here](#)
to view the latest version

[Click to jump back to top](#)

Siegenia 4mm Hex Service Tool

For aligning adjustable hardware components.



Product Code	Description	Packaging Unit
ZAEW0060-100010	Hex service tool	1

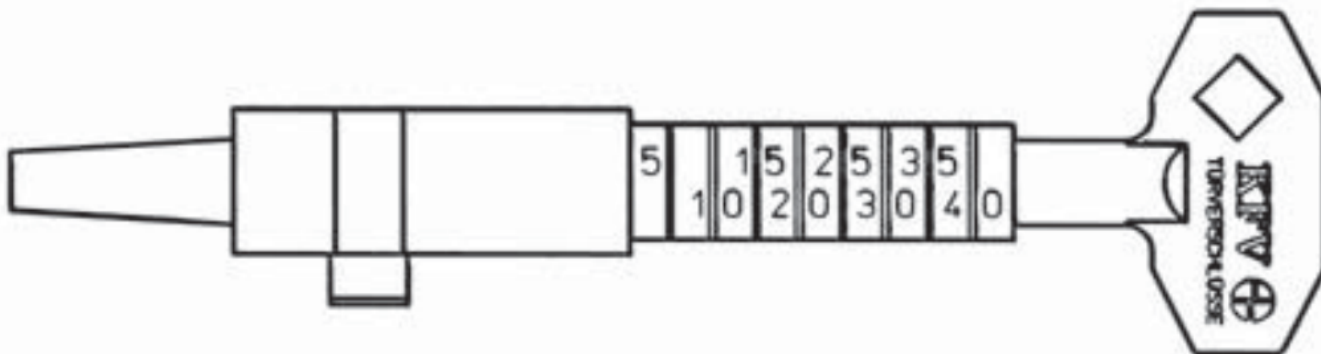


Catalogue not up to date?
Scan the QR or [click here](#)
to view the latest version

[Click to jump back to top](#)

KFV Door Assembly Key

Operates spindle and cylinder function on locks; measurement guide for determining cylinder size.



Product Code	Description	Colour	Packaging Unit
3232291	Door assembly key	blue	1



Catalogue not up to date?
Scan the QR or [click here](#)
to view the latest version

[Click to jump back to top](#)

Maco Multifunctional Key

Multifunction key for window assembly.

Areas of application:

- As a window handle during the construction phase
- Remove the scissor stay bearing pin
- TX 15 adjustment key
- Allen key
- Adjustment key



Product Code	Packaging Unit
206417	1



Catalogue not up to date?
Scan the QR or [click here](#)
to view the latest version

[Click to jump back to top](#)

Door Closer & Stainless Steel Cover

Strong spring to guarantee powerful closing, with side rocker for easy installation. An aluminium alloy body and two coatings for protection. Two speed controls - closing speed and latching speed.



D205



D205B

Product Code	Description	Weight (kg)	Door Width (mm)	Packaging Unit
D205	V arm	30-65	500-1200	1
D205B	Slide arm	30-65	500-1200	1

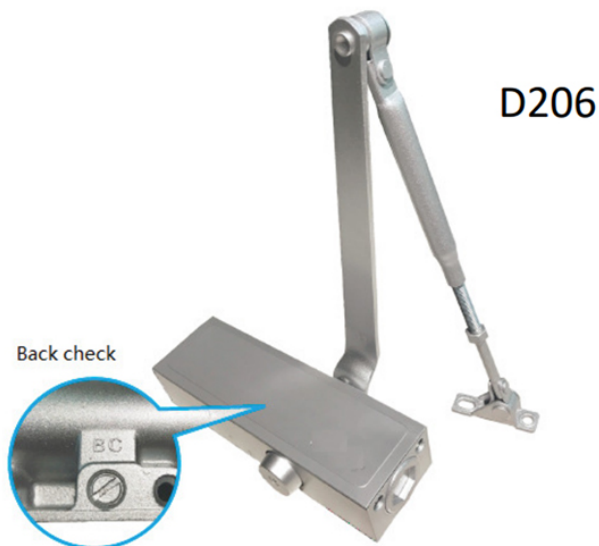


Catalogue not up to date?
Scan the QR or [click here](#)
to view the latest version

[Click to jump back to top](#)

Door Closer & Aluminium Cover

Strong spring to guarantee powerful closing, with side rocker for easy installation. An aluminium alloy body and two coatings for protection. Two speed controls - closing speed and latching speed.



Product Code	Description	Weight (kg)	Door Width (mm)	Packaging Unit
D206	V arm	up tp 120	500-1200	1
D206B	Slide arm	up tp 85	500-1200	1



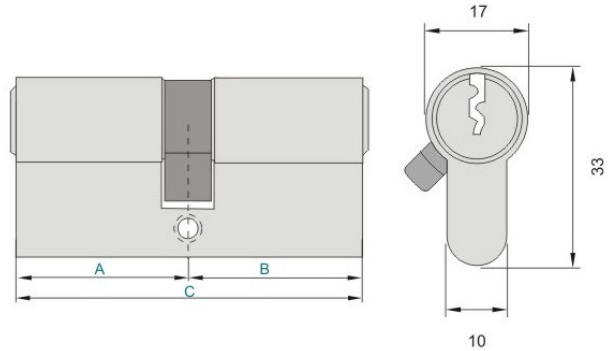
Catalogue not up to date?
Scan the QR or [click here](#)
to view the latest version

[Click to jump back to top](#)

Siegware Euro Profile Cylinder

Euro profile full cylinder with 6 pin locking system. The body is made from nickel plated solid brass. All pins are made of solid brass and include security driver pins. These cylinders also include antidrill inserts. Tested to 200,000 cycles and compliant with the EN1303:2005.

All cylinders include 3 brass keys and 1 fixing screw.



Product Code	Size (A / B)	Combination	Packaging unit
SWPZ3535A	35/35	A	10
SWPZ3535B	35/35	B	10
SWPZ3535C	35/35	C	10
SWPZ3535D	35/35	D	10
SWPZ3535E	35/35	E	10
SWPZ3535F	35/35	F	10
SWPZ3540A	35/40	A	10
SWPZ3540B	35/40	B	10
SWPZ4040A	40/40	A	10
SWPZ4040B	40/40	B	10
SWPZ4040C	40/40	C	10
SWPZ4040D	40/40	D	10
SWPZ4040E	40/40	E	10
SWPZ4040F	40/40	F	10

*Note: Combinations are consistent between all Siegware Euro Cylindres, Half Cylinders, and Thumb Turn Cylinders.



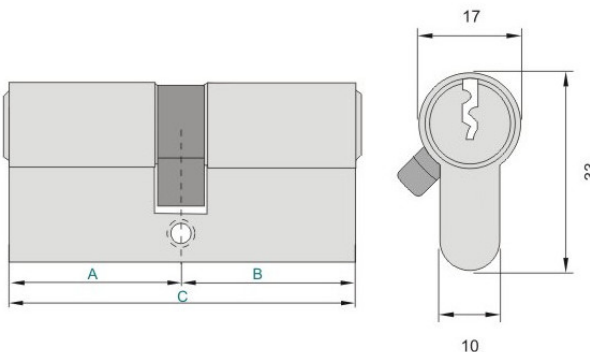
Catalogue not up to date?
Scan the QR or [click here](#)
to view the latest version

[Click to jump back to top](#)

Siegware Euro Profile Cylinder - Continue

Euro profile full cylinder with 6 pin locking system. The body is made from nickel plated solid brass. All pins are made of solid brass and include security driver pins. These cylinders also include antidrill inserts. Tested to 200,000 cycles and compliant with the EN1303:2005.

All cylinders include 3 brass keys and 1 fixing screw.



Product Code	Size (A / B)	Combination	Packaging unit
SWPZ4060A	40/60	A	10
SWPZ4060B	40/60	B	10
SWPZ4060C	40/60	C	10
SWPZ4545A	45/45	A	10
SWPZ4545B	45/45	B	10
SWPZ4545C	45/45	C	10
SWPZ4545D	45/45	D	10
SWPZ4545E	45/45	E	10
SWPZ4545F	45/45	F	10
SWPZ4550A	45/50	A	10
SWPZ4550B	45/50	B	10
SWPZ4550C	45/50	C	10
SWPZ4550D	45/50	D	10
SWPZ4550E	45/50	E	10
SWPZ4550F	45/50	F	10
SWPZ5050A	50/50	A	10
SWPZ5050B	50/50	B	10
SWPZ5050C	50/50	C	10
SWPZ5050D	50/50	D	10
SWPZ5050E	50/50	E	10

*Note: Combinations are consistent between all Siegware Euro Cylinders, Half Cylinders, and Thumb Turn Cylinders.



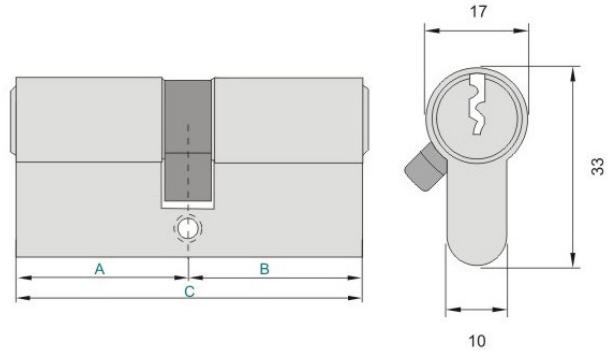
Catalogue not up to date?
Scan the QR or [click here](#)
to view the latest version

[Click to jump back to top](#)

Siegware Euro Profile Cylinder - Continue

Euro profile full cylinder with 6 pin locking system. The body is made from nickel plated solid brass. All pins are made of solid brass and include security driver pins. These cylinders also include antidrill inserts. Tested to 200,000 cycles and compliant with the EN1303:2005.

All cylinders include 3 brass keys and 1 fixing screw.



Product Code	Size (A / B)	Combination	Packaging unit
SWPZ5050F	50/50	F	10
SWPZ5555A	55/55	A	10
SWPZ5555B	55/55	B	10
SWPZ5555C	55/55	C	10
SWPZ5555D	55/55	D	10
SWPZ5555E	55/55	E	10
SWPZ5555F	55/55	F	10
SWPZ6060A	60/60	A	10
SWPZ6060B	60/60	B	10
SWPZ6060C	60/60	C	10

*Note: Combinations are consistent between all Siegware Euro Cylinders, Half Cylinders, and Thumb Turn Cylinders.



Catalogue not up to date?
Scan the QR or [click here](#)
to view the latest version

[Click to jump back to top](#)

Siegware Euro Profile Cylinder - Anodised Black

Euro profile full cylinder with 6 pin locking system. The body is made from nickel plated solid brass. All pins are made of solid brass and include security driver pins. These cylinders also include antidrill inserts. Tested to 200,000 cycles and compliant with the EN1303:2005.

All cylinders include 3 brass keys and 1 fixing screw.



Product Code	Size (A / B)	Combination	Packaging unit
SWPZ3535A_BLK	35/35	A	10
SWPZ4040A_BLK	40/40	A	10
SWPZ4060A_BLK	40/60	A	10
SWPZ4550A_BLK	45/50	A	10
SWPZ5050A_BLK	50/50	A	10
SWPZ6060A_BLK	60/60	A	10

*All cylinders include 3 brass keys and 1 fixing screw.



Catalogue not up to date?
Scan the QR or [click here](#)
to view the latest version

[Click to jump back to top](#)

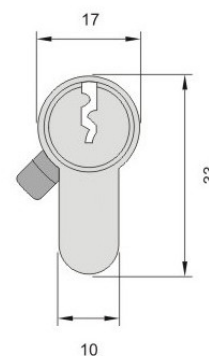
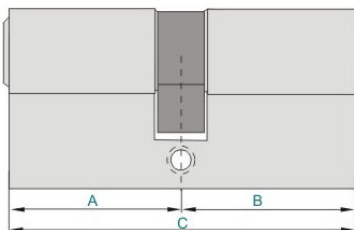
Siegware Custome Euro Profile Cylinder

Euro profile full cylinder with 6 pin locking system. The body is made from nickel plated solid brass. All pins are made of solid brass and include security driver pins. These cylinders also include anti drill inserts. Tested to 200,000 cycles and compliant with the EN1303:2005.

All cylinders include 3 brass keys and 1 fixing screw.

Custom pinned euro cylinders according to client specification. Please allow up to 5 business days production time.

Master keying is possible upon request. Please contact Siegware for further information.



Product Code	Size (A / B)	Packaging Unit
SWPZ3535CUSTOM	35/35	1
SWPZ4040CUSTOM	40/40	1
SWPZ4055CUSTOM	40/55	1
SWPZ4060CUSTOM	40/60	1
SWPZ4070CUSTOM	40/70	1
SWPZ4545CUSTOM	45/45	1
SWPZ4550CUSTOM	45/50	1
SWPZ4560CUSTOM	45/60	1
SWPZ4570CUSTOM	45/70	1
SWPZ4575CUSTOM	45/75	1
SWPZ5050CUSTOM	50/50	1
SWPZ5555CUSTOM	55/55	1
SWPZ5560CUSTOM	55/60	1
SWPZ6060CUSTOM	60/60	1



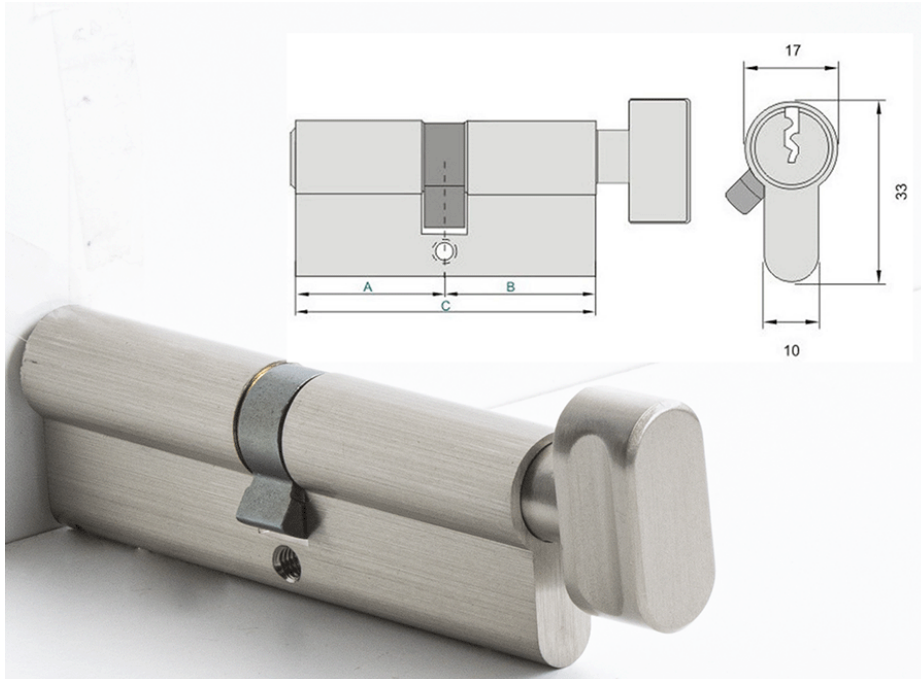
Catalogue not up to date?
Scan the QR or [click here](#)
to view the latest version

[Click to jump back to top](#)

Siegware Euro Thumb Turn Cylinder

Euro profile Thumb Turn cylinder with 6 pin locking system. The body is made from nickel plated solid brass. All pins are made of solid brass and include security driver pins. These cylinders also include antidrill inserts. Tested to 200,000 cycles and compliant with the EN1303:2005.

Note: Combinations are consistent between all Siegware Euro Cylinders, Half Cylinders, and Thumb Turn Cylinders.



Product Code	Dim. A	Dim. B - Knob Side	Knob Depth	Combination	Packing unit
SWPZKB3535A	35mm	35mm	22mm	A	10
SWPZKB3535B	35mm	35mm	22mm	B	10
SWPZKB3535C	35mm	35mm	22mm	C	10
SWPZKB4040A	40mm	40mm	22mm	A	10
SWPZKB4040B	40mm	40mm	22mm	B	10
SWPZKB4040C	40mm	40mm	22mm	C	10
SWPZKB4060A	40mm	60mm	22mm	A	10
SWPZKB4060B	40mm	60mm	22mm	B	10
SWPZKB4060C	40mm	60mm	22mm	C	10
SWPZKB4545A	45mm	45mm	22mm	A	10
SWPZKB4545B	45mm	45mm	22mm	B	10
SWPZKB4545C	45mm	45mm	22mm	C	10
SWPZKB4550A	45mm	50mm	22mm	A	10
SWPZKB4550B	45mm	50mm	22mm	B	10
SWPZKB4550C	45mm	50mm	22mm	C	10

*All cylinders include 3 brass keys and 1 fixing screw.



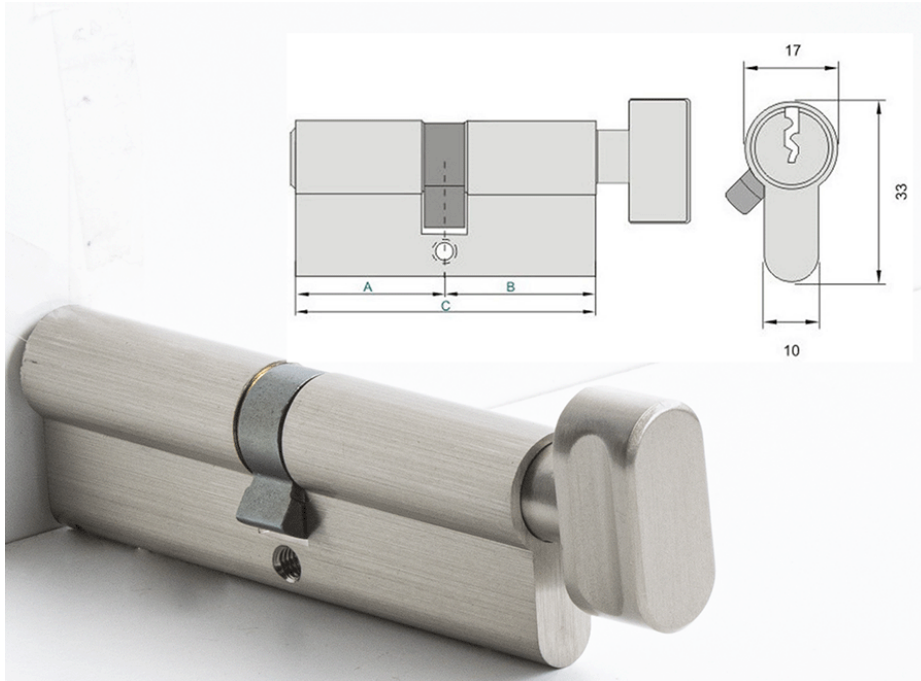
Catalogue not up to date?
Scan the QR or [click here](#)
to view the latest version

[Click to jump back to top](#)

Siegware Euro Thumb Turn Cylinder - continue

Euro profile Thumb Turn cylinder with 6 pin locking system. The body is made from nickel plated solid brass. All pins are made of solid brass and include security driver pins. These cylinders also include antidrill inserts. Tested to 200,000 cycles and compliant with the EN1303:2005.

Note: Combinations are consistent between all Siegware Euro Cylinders, Half Cylinders, and Thumb Turn Cylinders.



Product Code	Dim. A	Dim. B - Knob Side	Knob Depth	Combination	Packing unit
SWPZKB5045A	50mm	45mm	22mm	A	10
SWPZKB5045B	50mm	45mm	22mm	B	10
SWPZKB5045C	50mm	45mm	22mm	C	10
SWPZKB5050A	50mm	50mm	22mm	A	10
SWPZKB5050B	50mm	50mm	22mm	B	10
SWPZKB5050C	50mm	50mm	22mm	C	10
SWPZKB5555A	55mm	55mm	22mm	A	10
SWPZKB5555B	55mm	55mm	22mm	B	10
SWPZKB5555C	55mm	55mm	22mm	C	10
SWPZKB6040A	60mm	40mm	22mm	A	10
SWPZKB6040B	60mm	40mm	22mm	B	10
SWPZKB6040C	60mm	40mm	22mm	C	10
SWPZKB6060A	60mm	60mm	22mm	A	10
SWPZKB6060B	60mm	60mm	22mm	B	10
SWPZKB6060C	60mm	60mm	22mm	C	10

*All cylinders include 3 brass keys and 1 fixing screw.



Catalogue not up to date?
Scan the QR or [click here](#)
to view the latest version

[Click to jump back to top](#)

Siegware Euro Thumb Turn Cylinder - Anodised Black

Euro profile Thumb Turn cylinder with 6 pin locking system. The body is made from nickel plated solid brass. All pins are made of solid brass and include security driver pins. These cylinders also include antidrill inserts. Tested to 200,000 cycles and compliant with the EN1303:2005.

Note: Combinations are consistent between all Siegware Euro Cylinders, Half Cylinders, and Thumb Turn Cylinders.



Product Code	Dim. A	Dim. B - Knob Side	Knob Depth	Combination	Packing unit
SWPZKB3535A_BLK	35	35	22mm	A	10
SWPZKB3535B_BLK	35	35	22mm	B	10
SWPZKB4040A_BLK	40	40	22mm	A	10
SWPZKB4040B_BLK	40	40	22mm	B	10
SWPZKB4060A_BLK	40	60	22mm	A	10
SWPZKB4545A_BLK	45	45	22mm	A	10
SWPZKB4545B_BLK	45	45	22mm	B	10
SWPZKB5050A_BLK	50	50	22mm	A	10
SWPZKB5050B_BLK	50	50	22mm	B	10
SWPZKB5555A_BLK	55	55	22mm	A	10
SWPZKB5555B_BLK	55	55	22mm	B	10
SWPZKB6040A_BLK	60	40	22mm	A	10
SWPZKB6040B_BLK	60	40	22mm	B	10

*All cylinders include 3 brass keys and 1 fixing screw.



Catalogue not up to date?
Scan the QR or [click here](#)
to view the latest version

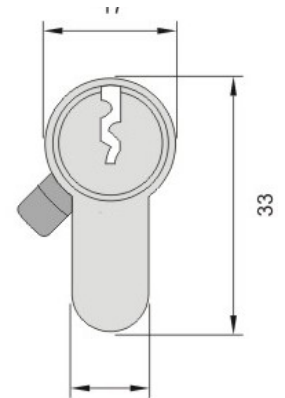
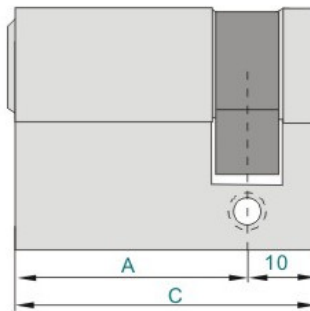
[Click to jump back to top](#)

Siegware Euro Half Cylinder

Euro profile half cylinder with 6 pin locking system. The body is made from nickel plated solid brass. All pins are made of solid brass and include security driver pins. These cylinders also include antidrill inserts. Tested to 200,000 cycles and compliant with the EN1303:2005.

All cylinders include 3 brass keys and 1 fixing screw.

Note: Combinations are consistent between all Siegware Euro Cylinders, Half Cylinders, and Thumb Turn Cylinders.



Product Code	Size	Dimension A	Dimension B	Combination	Packing unit
SWPZHALF350A	35/10	35mm	10mm	A	10
SWPZHALF350B	35/10	35mm	10mm	B	10
SWPZHALF400A	40/10	40mm	10mm	A	10
SWPZHALF400B	40/10	40mm	10mm	B	10
SWPZHALF500A	50/10	50mm	10mm	A	10
SWPZHALF500B	50/10	50mm	10mm	B	10
SWPZHALF500C	50/10	50mm	10mm	C	10
SWPZHALF500D	50/10	50mm	10mm	D	10
SWPZHALF500E	50/10	50mm	10mm	E	10
SWPZHALF500F	50/10	50mm	10mm	F	10
SWPZHALF550A	55/10	55mm	10mm	A	10
SWPZHALF550B	55/10	55mm	10mm	B	10
SWPZHALF550C	55/10	55mm	10mm	C	10
SWPZHALF550D	55/10	55mm	10mm	D	10
SWPZHALF550E	55/10	55mm	10mm	E	10
SWPZHALF550F	55/10	55mm	10mm	F	10
SWPZHALF600A	60/10	60mm	10mm	A	10
SWPZHALF600B	60/10	60mm	10mm	B	10
SWPZHALF600C	60/10	60mm	10mm	C	10



Catalogue not up to date?
Scan the QR or [click here](#)
to view the latest version

[Click to jump back to top](#)

Siegware Euro Half Cylinder - Anodised Black

Euro profile half cylinder with 6 pin locking system. The body is made from nickel plated solid brass. All pins are made of solid brass and include security driver pins. These cylinders also include antidrill inserts. Tested to 200,000 cycles and compliant with the EN1303:2005.

All cylinders include 3 brass keys and 1 fixing screw.

Note: Combinations are consistent between all Siegware Euro Cylindres, Half Cylinders, and Thumb Turn Cylinders.

COMING SOON

Product Code	Size	Combination	Packing unit
SWPZHALF350A_BLK	35/10	A	10
SWPZHALF500A_BLK	50/10	A	10
SWPZHALF550A_BLK	55/10	A	10



Catalogue not up to date?
Scan the QR or [click here](#)
to view the latest version

[Click to jump back to top](#)

Siegware Euro Half Thumb Turn Cylinder

Euro profile half Thumb Turn cylinder. The body is made from nickel plated solid brass. This cylinder has no key and is actuated by knob only. Locking position can be felt via ball detent mechanism. Tested to 200,000 cycles and compliant with the EN1303:2005.



Product Code	Size	Dimension A	Knob Depth	Packing unit
SWPZKBHALF350	35/10	35mm	22mm	10
SWPZKBHALF400	40/10	40mm	22mm	10
SWPZKBHALF500	50/10	50mm	22mm	10
SWPZKBHALF550	55/10	55mm	22mm	10
SWPZKBHALF600	60/10	60mm	22mm	10



Catalogue not up to date?
Scan the QR or [click here](#)
to view the latest version

[Click to jump back to top](#)

Siegware Euro Half Thumb Turn Cylinder - Anodised Black

Euro profile half Thumb Turn cylinder. The body is made from nickel plated solid brass. This cylinder has no key and is actuated by knob only. Locking position can be felt via ball detent mechanism. Tested to 200,000 cycles and compliant with the EN1303:2005.

**COMING
SOON**

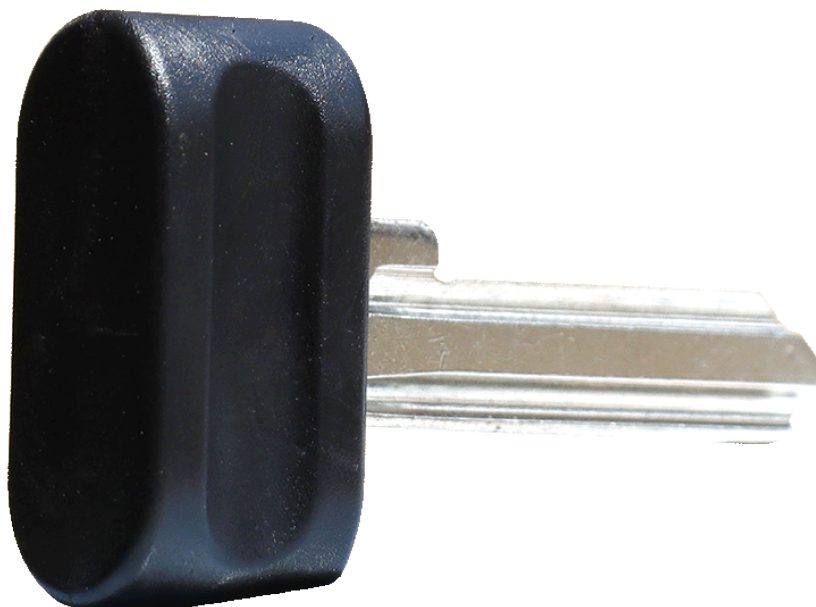
Product Code	Size	Dimension A	Knob Depth	Packing unit
SWPZKBHALF500_BLK	50/10	50	22mm	10
SWPZKBHALF550_BLK	55/10	55	22mm	10



Catalogue not up to date?
Scan the QR or [click here](#)
to view the latest version

[Click to jump back to top](#)

Siegware Snib Key



Product Code	Combination	Packaging unit
SWSNIB-BLANK	Blank	1
SWSNIB-A	A	1
SWSNIB-B	B	1
SWSNIB-C	C	1
SWSNIB-D	D	1
SWSNIB-E	E	1
SWSNIB-F	F	1



Catalogue not up to date?
Scan the QR or [click here](#)
to view the latest version

[Click to jump back to top](#)

Blind Profile Cylinder

The blind profile cylinder are made of nickel-plated brass and are used a blind cylidners for fittings with PZ perforation where no Euro Cylinder is fitted.

Suitable for fire and smoke protection doors.



Product Code	Range (mm)	Packaging unit
421748	47 - 120	1



Catalogue not up to date?
Scan the QR or [click here](#)
to view the latest version

[Click to jump back to top](#)

blaugelb Lock Cylinder Spray

The locking cylinder spray is the universal care product for locks and locking cylinders with a special, non-greasy formula. It protects against water, icing, corrosion and wear. Also suitable for other moving mechanical parts.



Product Code	Description	Size (mL)	Packaging unit
0370698	Cylinder spray	50	20



Catalogue not up to date?
Scan the QR or [click here](#)
to view the latest version

[Click to jump back to top](#)

Door Hardware Catalogue

*53 Haddon Drive
PO Box 27
Ballan VIC 3342
Australia*

*+61 03 5368 1181
info@siegware.com.au
www.siegware.com.au
www.siegware.co.nz*