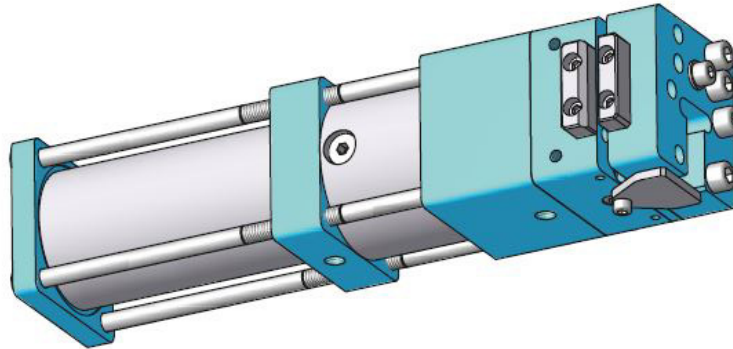


Siegenia Hardware Cropper

Product information

The punching machine is used to shorten fittings that can be cut to length.



*Note: Only hardware cropper shown

| Product code | Description | Side | Packaging unit |
|-----------------|------------------------|---------------|----------------|
| ZAAV0241-000011 | Hardware cropper | right | 1 |
| ZAAV0242-000011 | Hardware cropper | left | 1 |
| ZAAV0231-000011 | Slider L AF | right | 1 |
| ZAAV0232-000011 | Slider L AF | left | 1 |
| ZAAV0151-000011 | Slide rail | right | 1 |
| ZAAV0152-000011 | Slide rail | left | 1 |
| 158487 | Base frame mill finish | left or right | 1 |