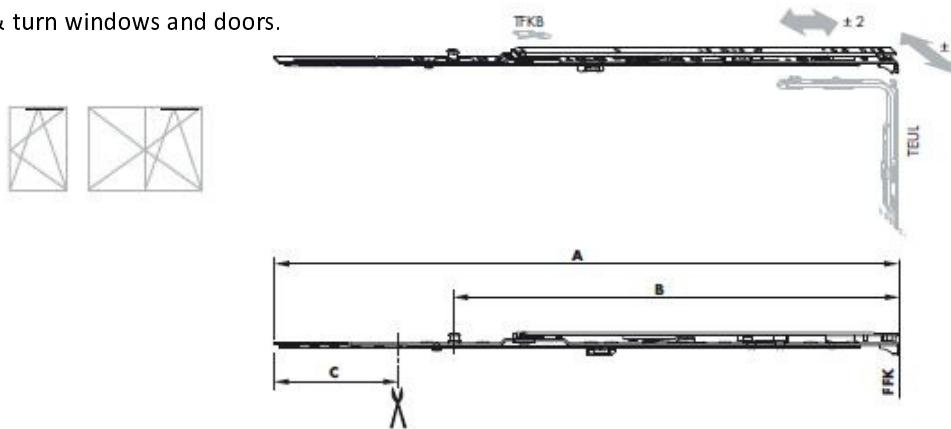


## Siegenia TITAN AF Stay AF

### Product information

Scissor stay for tilt & turn windows and doors.

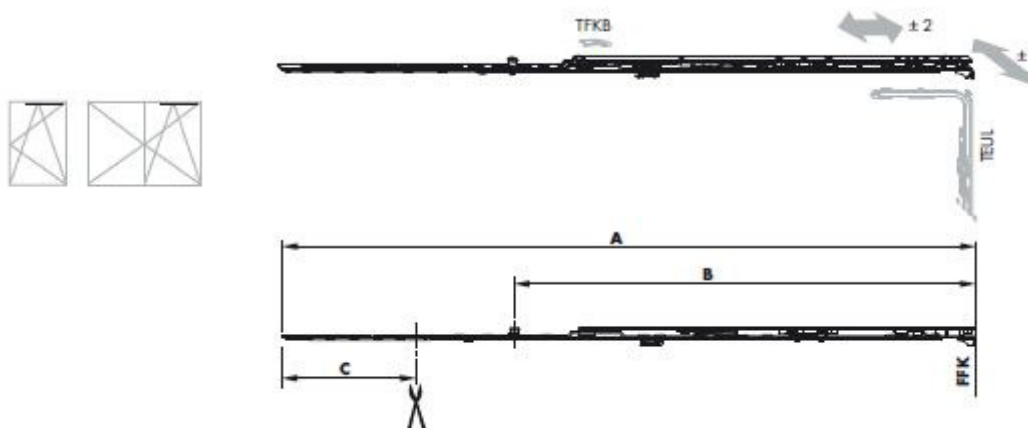


Product code	Description	Dimensions (mm)						Cams	Screws	Packaging unit
		FFB	A	B	C					
TSKK2000-100011	Stay AF SZ 0	230-450	405	-	225	0	0	25		
TSKK2010-100011	Stay AF SZ 1	451-680	540	-	252	0	0	25		
TSKK2120-100010	Stay AF SZ 2	681-850	740	456	202	1	1	25		
TSKK2030-100010	Stay AF SZ 3	851-1050	910	552	202	1	1	25		
TSKK2040-100010	Stay AF SZ 4	1051-1250	1110	552	202	1	1	25		

## Siegenia TITAN AF-TBT Stay AF

### Product information

Scissor stay for tilt before turn windows and doors.

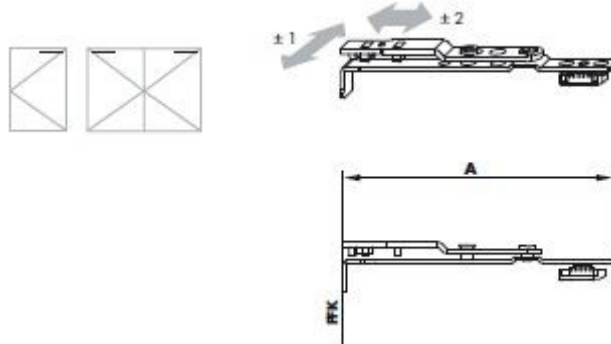


Product code	Description	Dimensions (mm)						Cams	Screws	Packaging unit
		FFB	A	B	C					
TSKT2000-100011	Stay AF TBT SZ 0	250-450	405	-	225	-	2	25		
TSKT2010-100010	Stay AF TBT SZ 1	451-680	510	-	252	-	3	25		
TSKT2120-100010	Stay AF TBT SZ 2 1RS	681-850	740	456	202	1	4	25		
TSKT2030-100010	Stay AF TBT SZ 3 1RS	851-1050	910	552	202	1	6	25		
TSKT2040-100010	Stay AF TBT SZ 4 1RS	1051-1250	1110	552	202	1	7	25		

### Siegenia TITAN AF Stay DF/MN

**Product information**

Top turn only stay for windows and doors, Eurogroove fit.

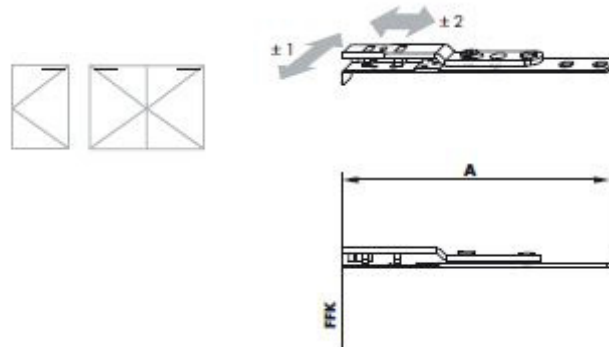


Product code	Description	Dimensions (mm)	Cams	Screws	Packaging unit
TSKD1010-100010	Stay DF/MN	157	0	3	100

### Siegenia TITAN AF Stay DF/ON

**Product information**

Top turn only stay for timber windows and doors, surface fit.

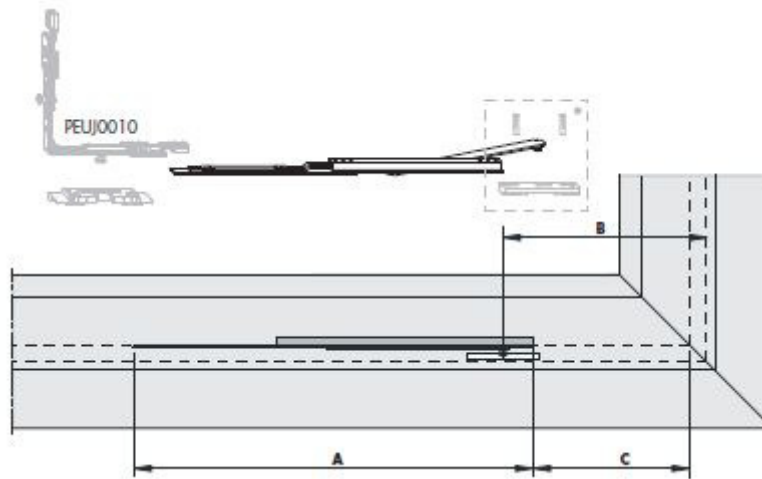


Product code	Description	Dimensions (mm)	Cams	Screws	Packaging unit
TSKD1020-100010	Stay DF/ON	157	0	3	100

**Siegenia TITAN AF Adjustable Brake Stay**

**Product information**

Sash brake used for holding windows open in the turn position.

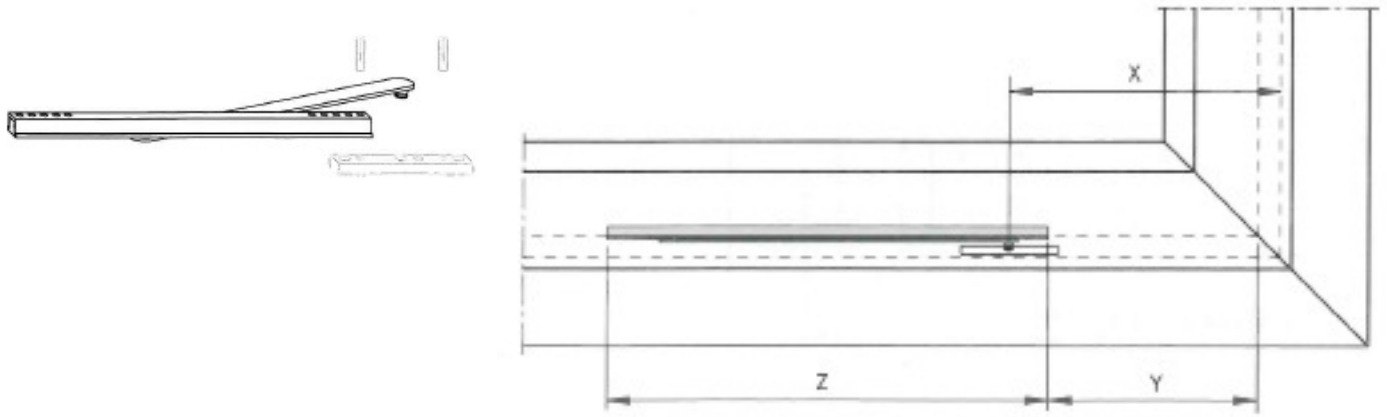


Product code	Description	FFB	Dimensions (mm)			Cams	Screws	Packaging unit
			A	B	C			
TSBR0040-100010	Brake stay TAB SZ 1	470-690	540	55	18	0	5	10
TSBR0050-100010	Brake stay TAB SZ 2	691-960	718	132	104	0	4	10

## Siegenia Friction Arm Stay

**Product information**

Eurogroove fit friction arms in various sizes.



Product code	Description	Dimensions (mm)				Screws	Packaging unit
		FFB	X	Y	Z		
700693	Friction Arm SZ 280/126	425-800	45	29	190	4	25
704110	Friction Arm SZ 190/126	611-1200	117	125	280	4	25
704127	Friction Arm SZ 280/236.5	611-1200	117	125	280	4	25
704134	Friction Arm SZ 360/270	691-1460	160	125	360	4	25

## Siegenia Friction Stay Accessory

### Product information

Connects brake stays and friction arms to the window frame.



Product code	Description	System	Profile	Packaging unit
704370	Frame part friction stay A1900	uPVC	Rehau	25
704417	Frame part friction stay A0608	uPVC	Kommerling	25
704431	Frame part friction stay A2040	uPVC	Aluplast 2000 & Veka 70	25
704387	Frame part friction stay A1940	uPVC	Deceuninck	25
ZMBR0020	Frame part friction stay A0600/3	uPVC	Aluplast 4000	25
700051	Frame part friction stay A0420 TS	timber	4mm airgap	25
700075	Frame part friction stay A1360 TS B	timber	12mm airgap	50