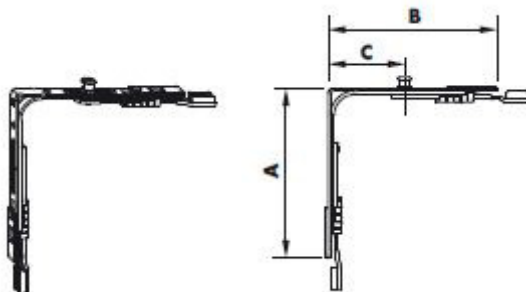


### Siegenia TITAN AF Corner Drive VSO

**Product information**

Top corner drive

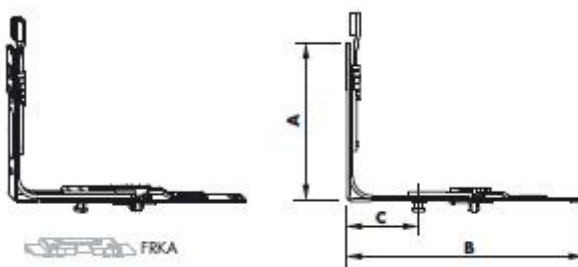


		Dimensions (mm)			Cams	Screws	Packaging unit
Product code	Description	A	B	C			
TEUL4010-100010	Corner Drive AF VSO	140	140	63	1	4	50

### Siegenia TITAN AF Corner Drive VSU

**Product information**

Bottom corner drive

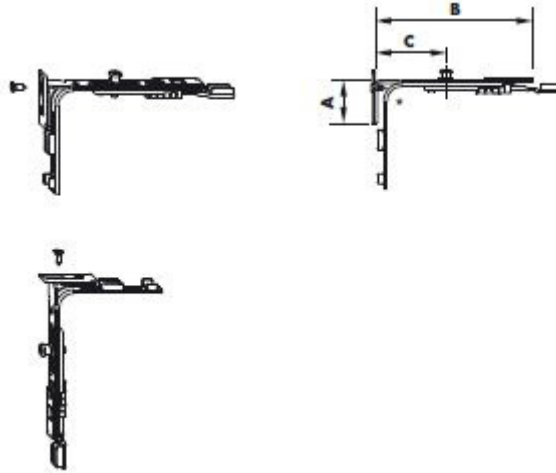


		Dimensions (mm)			Cams	Screws	Packaging unit
Product code	Description	A	B	C			
TEUL5010-100010	Corner Drive AF VSU	140	210	63	1	5	50

**Siegenia TITAN AF Narrow Corner Drive VSO**

**Product information**

Top narrow corner drive

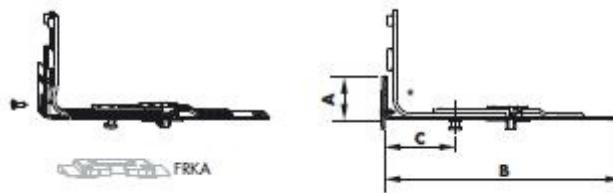


Product code	Description	Dimensions (mm)			Cams	Screws	Packaging unit
		A	B	C			
TEUL4020-100010	Narrow corner drive AF VSO	38	140	63	1	3	50

**Siegenia TITAN AF Narrow Corner Drive VSU**

**Product information**

Bottom narrow corner drive.

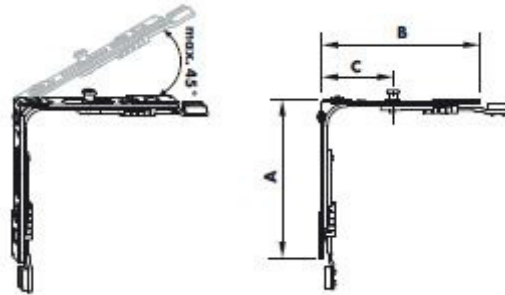


Product code	Description	Dimensions (mm)			Cams	Screws	Packaging unit
		A	B	C			
TEUL5090-100010	Bottom corner drive AF VSU	38	210	63	1	4	50

## Siegenia TITAN Corner Drive SF

**Product information**

Top corner drive for angled windows.

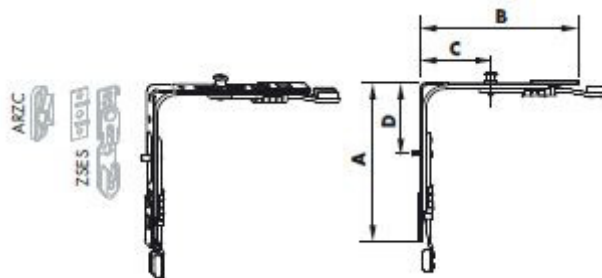


		Dimensions (mm)			Cams	Screws	Packaging unit
Product code	Description	A	B	C			
TEUL4030-100010	Corner Drive AF VSO SF	140	140	63	1	4	50

## Siegenia TITAN Corner Drive SP

**Product information**

Top corner drive for energy saving stay.



		Dimensions (mm)				Cams	Screws	Packaging unit
Product code	Description	A	B	C	D			
TEUL4040-100010	Corner Drive VSO SP 1RS	140	140	63	62	2	4	50