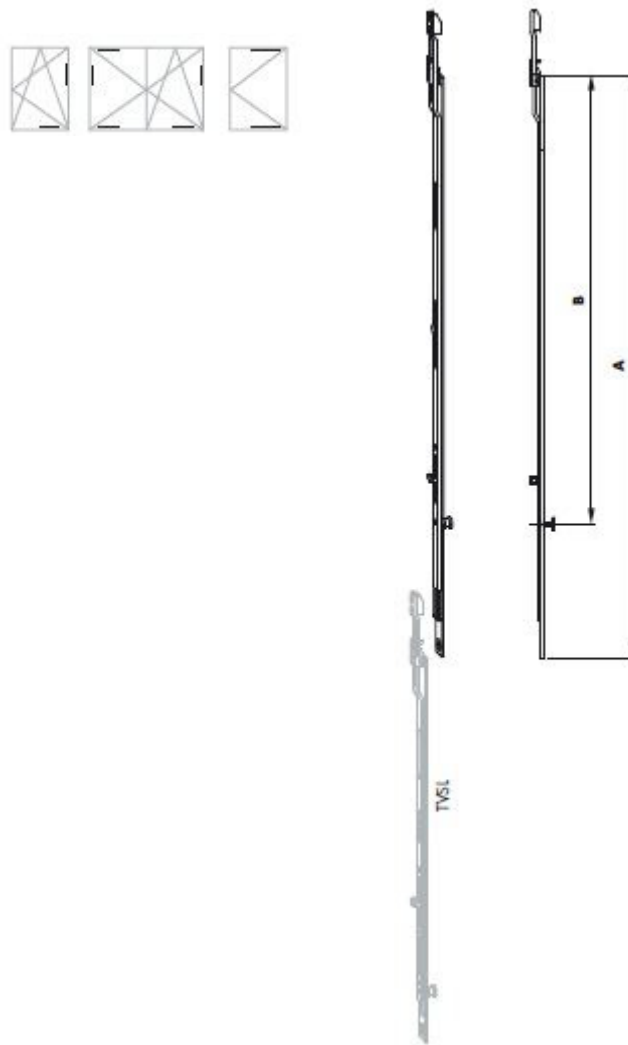


Siegenia TITAN AF Extension

Product information

Extensions with female and male coupling ends, used to extend corner drives.

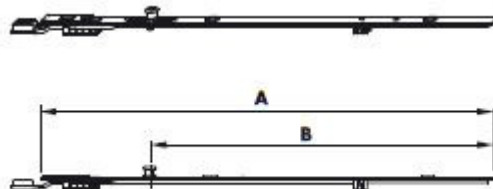


Product code	Description	Dimensions (mm)		Cams	Screws	Packaging unit
		A	B			
TZBS0180-100013	Linkage SZ 1	304	217	1	2	25
TZBS0190-100013	Linkage SZ 2	504	417	1	3	25
TZBS0200-100013	Linkage SZ 3	800	713	1	5	25

Siegenia TITAN AF Linkage

Product information

Extensions with female and male coupling ends.

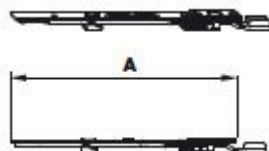


Product code	Description	Dimensions (mm)		Cams	Screws	Packaging unit
		A	B			
TZKK1010-100010	Linkage KK/AF SZ 1 1RS	200	105	1	3	25
TZKK1020-100010	Linkage KK/AF SZ 2 1RS	400	305	1	4	25
TZKK1050-100010	Linkage KK/AF SZ 3 1RS	600	505	1	5	25

Siegenia TITAN AF Linkage

Product information

Linkages with female and male coupling ends.

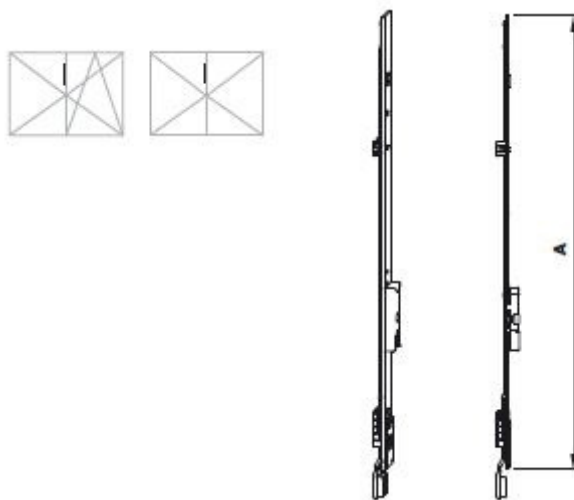


Product code	Description	Dimensions (mm)			Packaging unit
		A	Cams	Screws	
TZZS0150-100010	Linkage AF SZ 1	200	0	3	25

Siegenia TITAN AF Slave Linkage

Product information

Slave side extension with striker, to be used with opposing extension TZKK1020.



Product code	Description	Dimensions (mm) A	Strikers	Screws	Packaging unit
TZKS1030-100010	Linkage AF SZ 2 1SB-RS	10	1	4	25

Siegenia TITAN AF Linkage - SRS Cam

Product information

Linkages with two male coupling ends, SRS cam for standard operation.

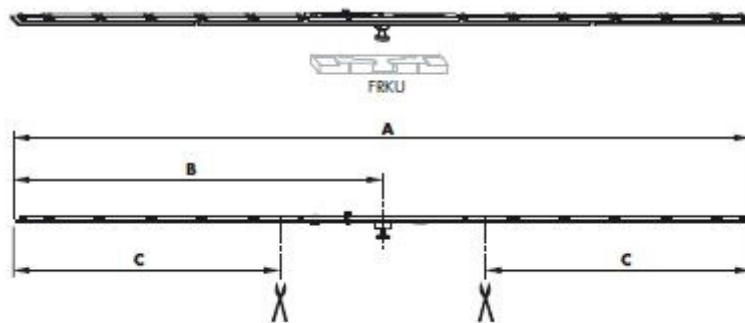


		Dimensions (mm)					
Product code	Description	A	B	C	Cams	Screws	Packaging unit
TZZZ0010-100010	Linkage AF ZZ	650	325	200	1	1	25

Siegenia TITAN AF Linkage - SES Cam

Product information

Linkages with two male coupling ends, SES cam for bottom operation with tilt lock bearing.



		Dimensions (mm)					
Product code	Description	A	B	C	Cams	Screws	Packaging unit
TZZZ0030-100010	Linkage AF ZZ 1 S	650	325	200	1	1	25

Siegenia TITAN AF Extension

Product information

Extensions with female coupling end, used for additional locking points on corner drives.



Product code	Description	Dimensions (mm)		Cams	Screws	Packaging unit
		A	B			
TVSL0350-100010	Linkage SZ 5+ 1RS	443	398	1	3	50