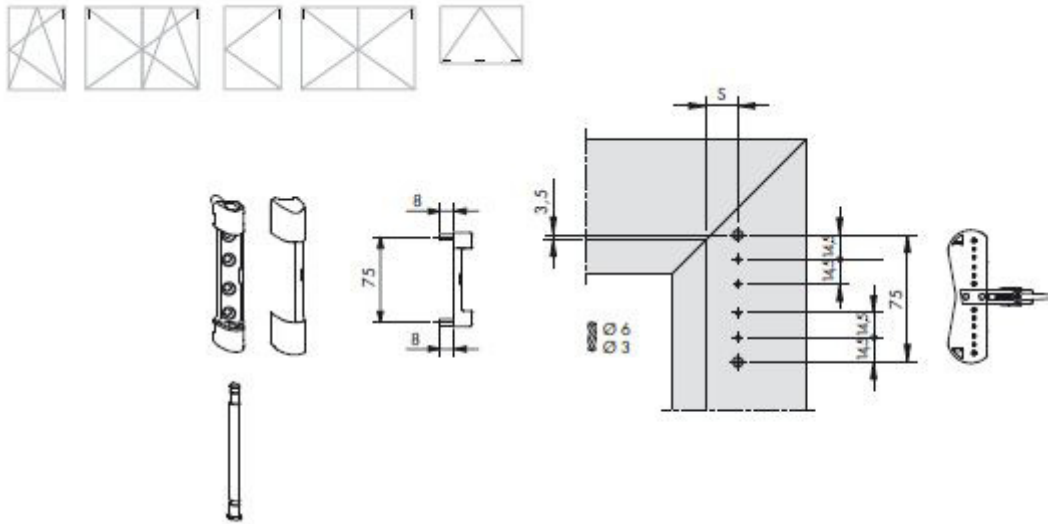


**Siegenia TITAN AF Top Hinge**

**Product information**

Top frame hinge for windows and doors.

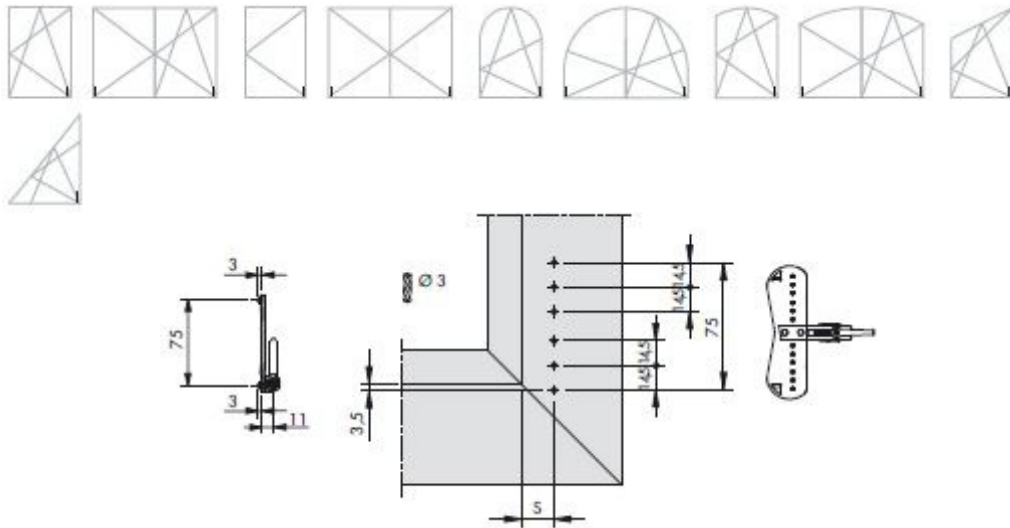


Product code	Description	Handing	System	Overlap	Packaging unit
TBSL6140-100010	Top hinge DH PVC D6x8	variable	uPVC	20	100
TBSL8100	Top hinge H	variable	timber	18	100
TBSL8110	Top hinge H	variable	timber	20	100
TBSB6020-100012	Top hinge pin poly	variable	-	-	100

**Siegenia TITAN AF Bottom Hinge**

**Product information**

Bottom frame hinge for windows and doors.



Product code	Description	Handing	System	Overlap	Packaging unit
TBEL6120-100011	Bottom hinge	variable	uPVC	20	250
TBEL8101-100010	Bottom hinge H	right	timber	18	100
TBEL8102-100010	Bottom hinge H	left	timber	18	100
TBEL8111-100010	Bottom hinge H	right	timber	20	100
TBEL8112-100010	Bottom hinge H	left	timber	20	100

## Siegenia TITAN AF Stay Hinge

### Product information

Top stay hinge with interchangeable handing for windows and doors.

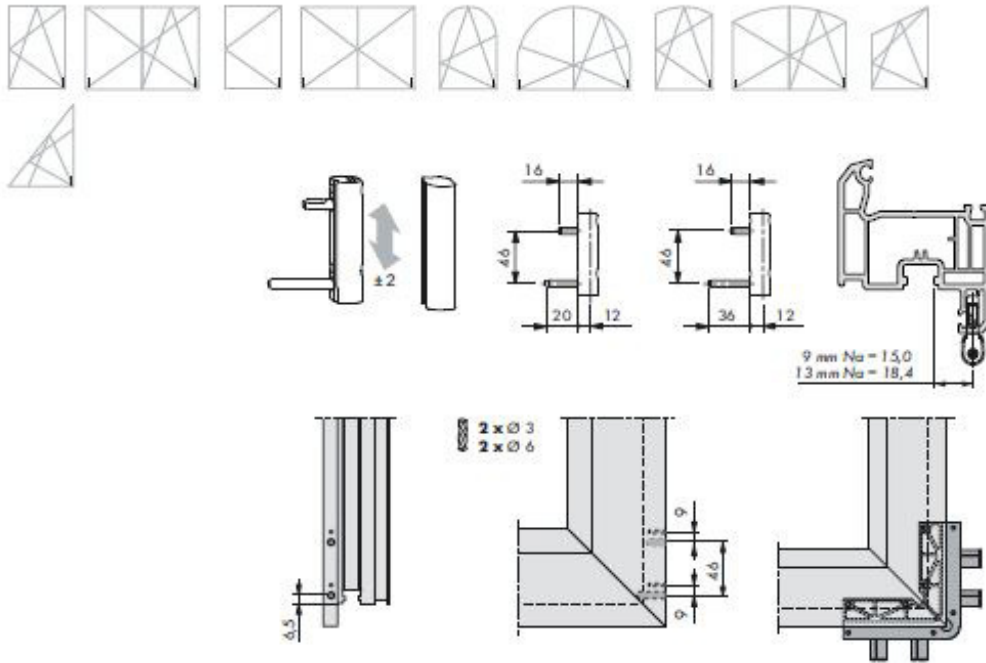


Product code	Description	Handing	System	Profile	Packaging unit
TBWB6020-100011	Stay hinge	variable	uPVC	20-9	100
TBWB6050-100011	Stay hinge	variable	uPVC	20-13	100
TBWB8100	Stay hInge H	variable	timber	18-9	50
TBWB8110	Stay hinge H	variable	timber	18-13	50
TBWB8130	Stay hinge H	variable	timber	20-13	50

**Siegenia TITAN AF Corner Hinge**

**Product information**

Variable bottom corner hinge for uPVC windows and doors.

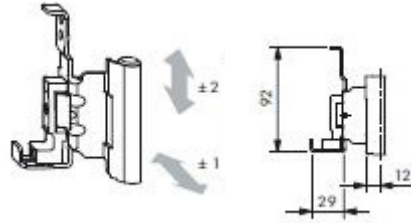
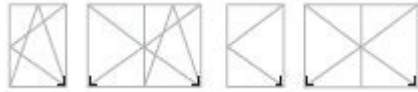


Product code	Description	Handing	System	Profile	Packaging unit
TBEB6120-100013	Corner hinge KF	variable	uPVC	D6x16/36	100
TBEB6140-100010	Corner hinge KF w/adj seal pressure	variable	uPVC	D6x16/36	100

**Siegenia TITAN AF Rebate Corner Hinge**

**Product information**

Bottom rebate corner hinges for window and door sashes.

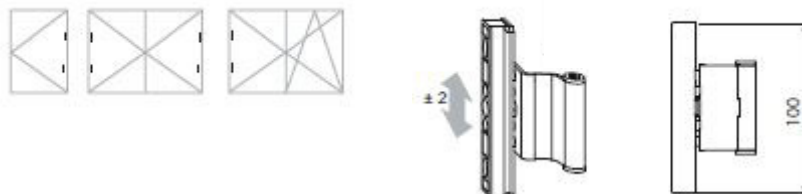


Product code	Description	Handing	System	Profile	Packaging unit
TBFE1011-100013	Rebate corner hinge KF	right	uPVC	20-9	50
TBFE1012-100013	Rebate corner hinge KF	left	uPVC	20-9	50
TBFE1021-100013	Rebate corner hinge KF	right	uPVC	20-13	50
TBFE1022-100013	Rebate corner hinge KF	left	uPVC	20-13	50
706664	Rebate corner hinge H	right	timber	18-9	50
706688	Rebate corner hinge H	left	timber	18-9	50
TBFE8411-100010	Rebate corner hinge H	right	timber	18-13	50
TBFE8412-100010	Rebate corner hinge H	left	timber	18-13	50
TBFE8431-100010	Rebate corner hinge H	right	timber	20-13	50
TBFE8432-100010	Rebate corner hinge H	left	timber	20-13	50

## Siegenia TITAN AF Sash Hinge

### Product information

Sash hinge for extra support on uPVC windows and doors.

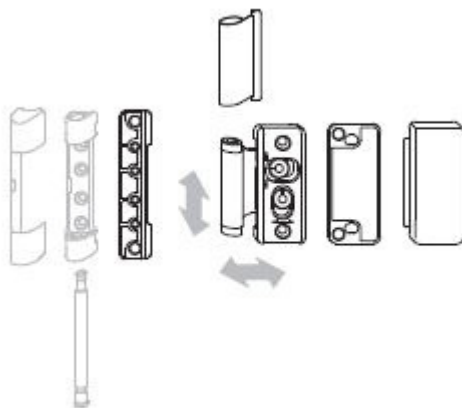


Product code	Description	Handing	System	Profile	Packaging unit
TBFB6020-100011	Sash hinge KF	variable	uPVC	12/20-9	50
TBFB6050-100011	Sash hinge KF	variable	uPVC	12/20-13	50

## Siegenia TITAN AF Turn Only Hinge

**Product information**

Turn stay hinge for sash weight up to 80kg.



Product code	Description	Handing	System	Screws	Packaging unit
TBDF6010-100010	Turn only hinge	variable	timber	2	25
TRUP0050-100010	Filling piece DFB	variable	timber	0	100
TRUP7010-100010	Filling piece DFB	variable	timber	0	100
TKWB0010-002011	Cover cap - white	variable	uPVC	-	100
TKDF0010-002011	Cover cap DFB - white	variable	timber	-	50