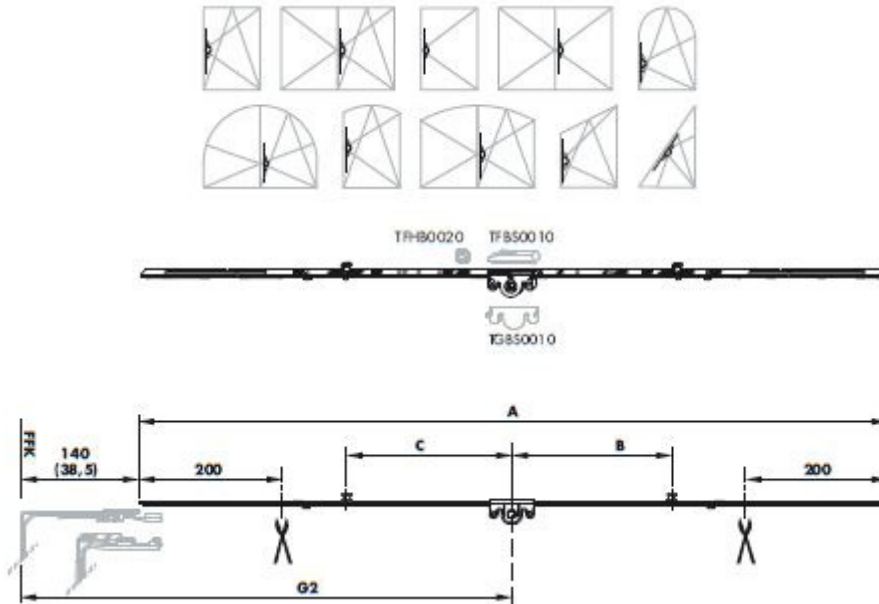


Siegenia TITAN AF Gear 15

Product information

Tilt & turn gear with 15mm backset.

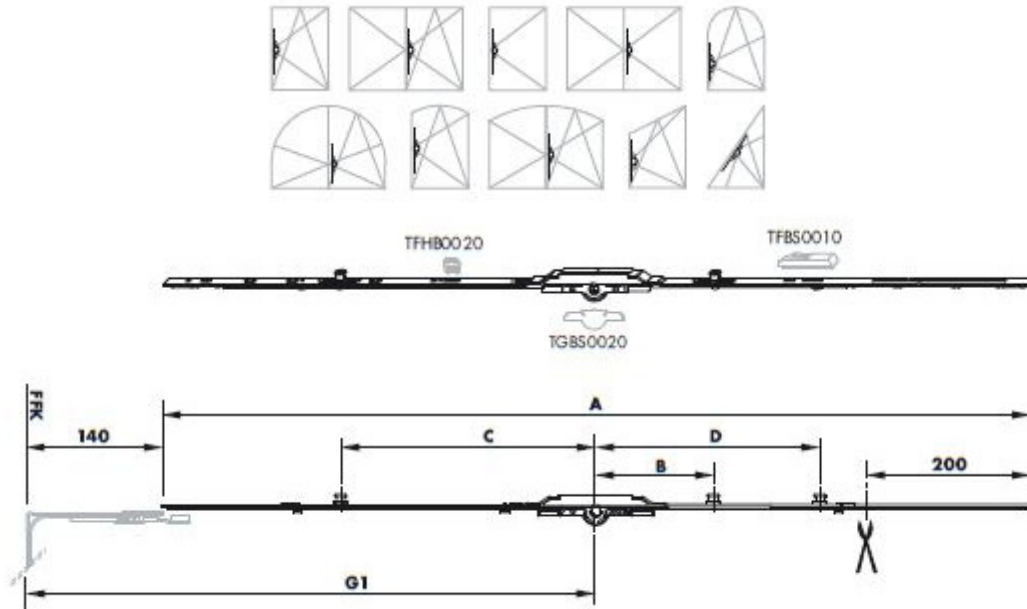


Product code	Description	Dimensions (mm)							Cams	Screws	Packaging unit
		FFH (mm)	G2	A	B	C					
TGMK4010-100010	Gear 15 AF SZ 20	260-600	130-300	630	-	-	0	0	25		
TGMK4020-100010	Gear 15 AF SZ 60	601-1000	300-500	720	-	-	0	2	25		
TGMK4040-100010	Gear 15 AF SZ 80 1RS	801-1200	400-600	920	80	-	1	3	25		
TGMK4160-100010	Gear 15 AF SZ 120 2RS	1201-1600	600-800	1320	280	220	2	6	25		
TGMK4170-100010	Gear 15 AF SZ 160 2RS	1601-2000	800-1000	1720	392	408	2	7	10		
TGMK4110-100010	Gear 15 AF SZ 200 2RS	2001-3000	1000-1500	2120	392	408	2	9	10		

Siegenia TITAN AF Gear 7

Product information

Tilt & turn gear with 7mm backset.

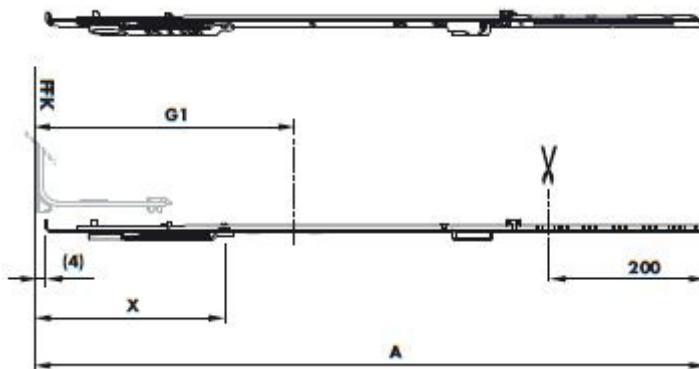


Product code	Description	Dimensions (mm)							Cams	Screws	Packaging unit
		FFH (mm)	G2	A	B	C					
TGMK1310-100011	Gear 7 AF SZ 20	260-600	130-300	630	-	-	0	0	25		
TGMK1320-100011	Gear 7 AF SZ 60	601-1000	300-500	720	-	-	0	2	25		
TGMK1340-100011	Gear 7 AF SZ 80 1RS	801-1200	400-600	920	80	-	1	3	25		
TGMK1350-100011	Gear 7 AF SZ 120 1RS	1201-1600	600-800	1320	80	-	1	5	25		
TGMK1360-100010	Gear 7 AF SZ 160 2RS	1601-2000	800-1000	1720	392	408	2	7	10		

Siegenia TITAN AF Sec Sash Gear

Product information

Secondary gear for double doors and windows.

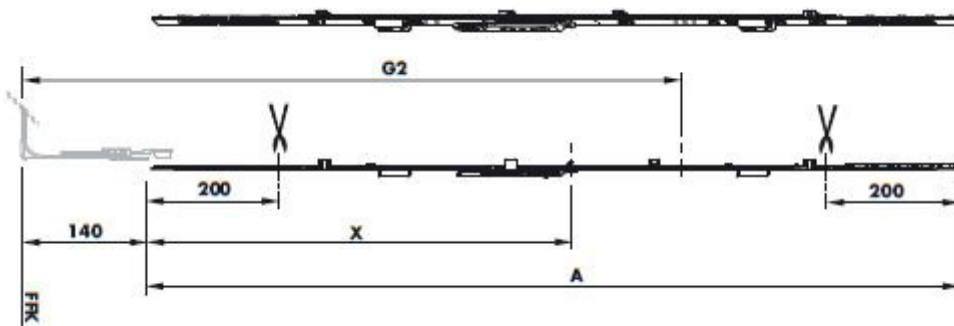


Product code	Description	Dimensions (mm)					Striker	Screws	Packaging unit
		G1	A	X					
TGKS0010-100012	Sec sash gear SZ 30	180	495	168	0	2	25		
TGKS4030-100011	Sec sash gear SZ 60	300	660	168	1	3	25		

Siegenia TITAN AF Sec Sash Gear

Product information

Secondary gear for double doors and windows.

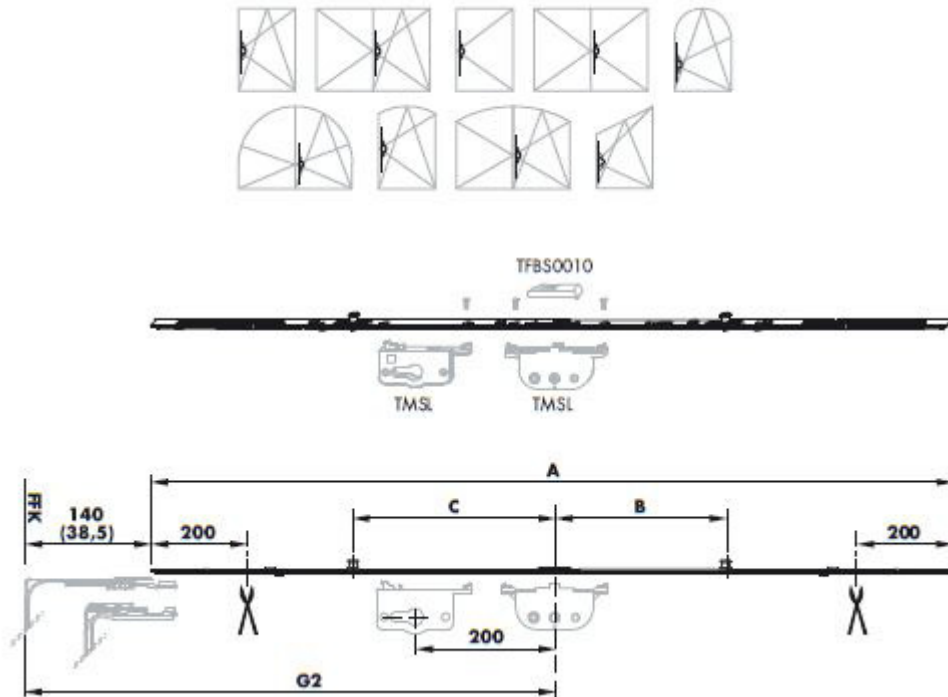


Product code	Description	FFH (mm)	Dimensions (mm)					Striker	Screws	Packaging unit
			G2	A	X					
TGMS4030-100011	Sec sash gear SZ 70	701-1100	350-550	820	359	1	3	25		
TGMS4040-100010	Sec sash gear SZ 80	801-1200	400-600	920	365	1	3	25		
TGMS4050-100011	Sec sash gear SZ 120	1201-1600	600-800	1320	365	1	5	25		
TGMS4130-100010	Sec sash gear SZ 160	1601-2000	800-1000	1720	710	2	8	10		
TGMS4100-100012	Sec sash gear SZ 200	2001-3000	1000-1500	2120	910	2	9	10		

Siegenia TITAN AF-OS Gear

Product information

OS gears to be used in conjunction with TMSL gear sets.

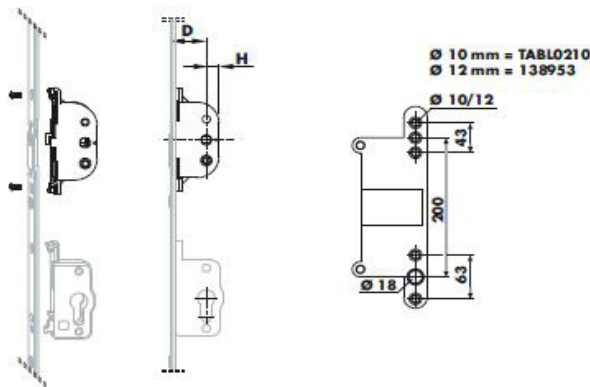


Product code	Description	Dimensions (mm)							Cams	Screws	Packaging unit
		FFH (mm)	G2	A	B	C					
TGMK0500-100010	Gear OS/PZ AF SZ - 60	600-1000	300-500	720	-	-	0	1	25		
TGMK0510-100010	Gear OS/PZ AF SZ - 80 1RS	801-1200	400-600	920	80	-	1	2	25		
TGMK0520-100010	Gear OS/PZ AF SZ - 120 1RS	1201-1600	600-800	1320	80	-	1	4	25		
TGMK0560-100010	Gear OS/PZ AF SZ - 160 2RS	1601-2000	800-1000	1720	392	408	2	6	10		
TGMK0570-100010	Gear OS/PZ AF SZ - 200 2RS	2001-3000	1000-1500	2120	392	408	2	8	10		

Siegenia TITAN AF Gear Sets

Product information

Spindle gearbox in variable sizes.

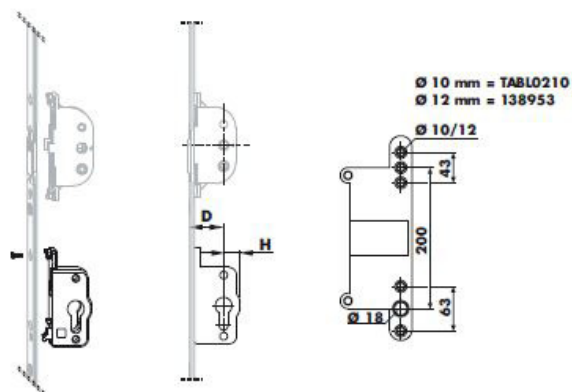


Product code	Description	Backset (mm)	Packaging unit
TMSL4250	Gear set	25	50
TMSL4300	Gear set	30	50
TMSL4350	Gear set	35	50
TMSL4400	Gear set	40	50

Siegenia TITAN AF-PZ Gear Sets

Product information

PZ lockable gearbox in variable sizes.



Product code	Description	Backset (mm)	Packaging unit
TMSL1250	PZ gear set	25	50
TMSL1300	PZ gear set	30	50
TMSL1350	PZ gear set	35	50
TMSL1400	PZ gear set	40	50