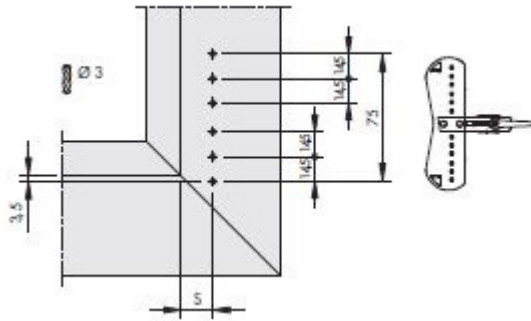


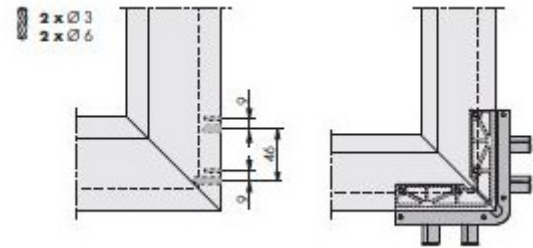
Siegenia TITAN AF Jig Frame & Sash EB - uPVC

Product information

Jig for tilt & turn top and bottom, and sash frame hinges.



Frame jig



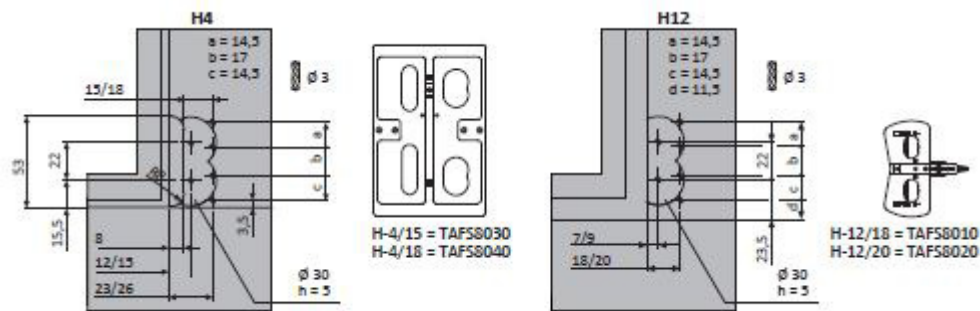
Sash jig

Product code	Description	System	Profile	Packaging unit
TABL0090-040010	Jig frame KF EB	uPVC	12/13	1
TABL0170-040011	Jig sash KF EB	uPVC	12/13	1

Siegenia TITAN AF Jig Frame - Timber

Product information

Jig for tilt & turn top and bottom frame hinge.

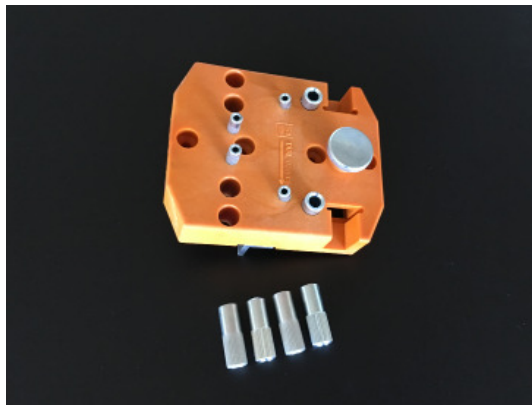


Product code	Description	System	Profile	Packaging unit
TAFS8010-010010	Timber jig H TT	timber	12/18	1
TAFS8020	Timber jig H TT	timber	12/20	1
TAFS8030	Routing template	timber	4/15	1
TAFS8040	Routing template	timber	4/18	1

Siegenia TITAN AF Jig Turn Hinge H

Product information

Jig for surface mount turn hinge.



Product code	Description	System	Handing	Packaging unit
TABL0281-042010	Jig turn hinge H	timber	right	1
TABL0282-042010	Jig turn hinge H	timber	left	1