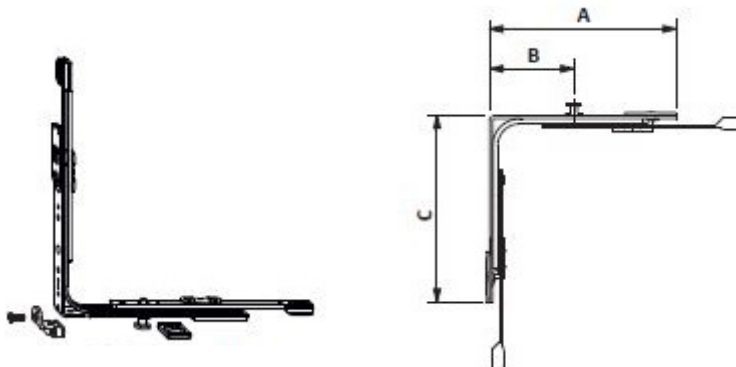


Siegenia FAVORIT Corner Drive VS & Sashlift

Product information

Bottom corner drive and sash lifts.

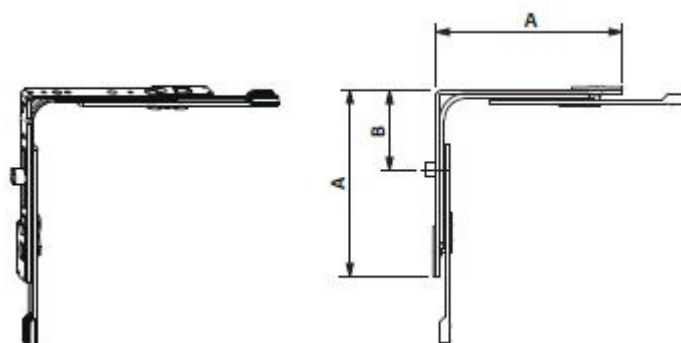


Product code	Description	Dimensions (mm)			Groove axis	Cams	Screws	Packaging unit
		A	B	C				
284186	Sash lift S-ES/9 with screw	-	-	-	9	-	-	100
284193	Sash lift S-ES/13 with screw	-	-	-	13	-	-	100
FEUL0090-100010	Corner drive VS	140	63	140	-	1	4	25

Siegenia FAVORIT Corner Drive VSO

Product information

Top corner drive

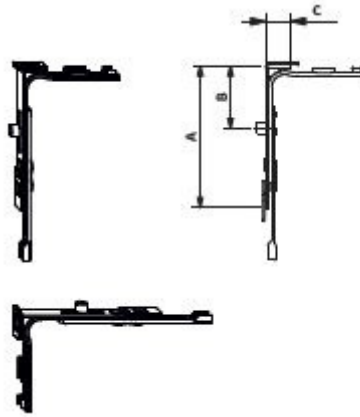


Product code	Description	Dimensions (mm)		Cams	Screws	Packaging unit
		A	B			
FEUL0230-100010	Corner drive VSO TS PC1	140	63	1	4	50

Siegenia FAVORIT Narrow Corner Drive VSO

Product information

Top narrow corner drive

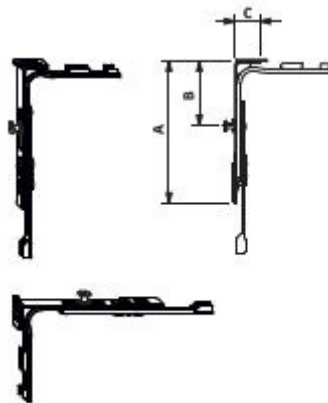


Product code	Description	Dimensions (mm)			Cams	Screws	Packaging unit
		A	B	C			
FEUL0520-100010	Narrow corner drive VSO	140	63	25	1	2	50

Siegenia FAVORIT Narrow Corner Drive VS S

Product information

Bottom narrow corner drive

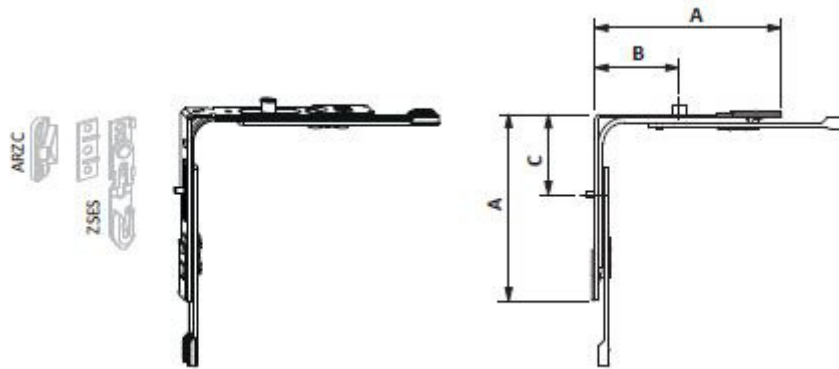


Product code	Description	Dimensions (mm)			Cams	Screws	Packaging unit
		A	B	C			
FEUL0530-100010	Narrow corner drive VS S	140	63	25	1	2	50

Siegenia FAVORIT Corner Drive VSO With Pin

Product information

Top corner drive for energy saving stay.



Product code	Description	Dimensions (mm)			Cams	Screws	Packaging unit
		A	B	C			
FEUL0020-100010	Corner drive VSO/SP-S TS PC1 - roller cam	140	63	60	1	4	25
FEUL0030-100010	Corner drive VSO/SE-S TS PC1 - mushroom cam	140	63	60	1	4	50