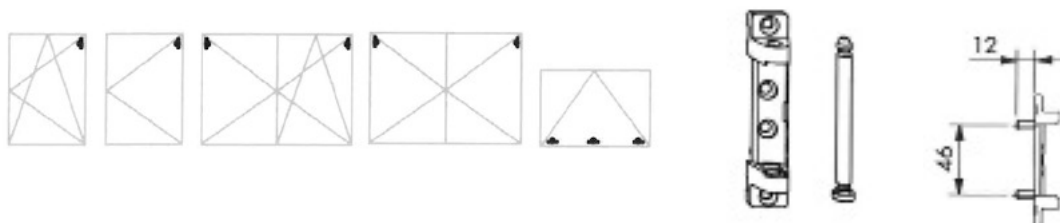


## Siegenia FAVORIT Top Hinge

### Product information

Top frame hinge for windows and doors.



Product code	Description	Handing	System	Profile	Packaging unit
707593	Top hinge KF	variable	uPVC	-	250
704226	Top hinge H	variable	timber	4/18	250
704219	Top hinge H	variable	timber	12/20	250
FBSL0100	Top hinge H	variable	timber	12/18	100
FBSB0010-100060	Top hinge pin D6	variable	-	-	500

**Siegenia FAVORIT Bottom Hinge**

**Product information**

Bottom frame hinge for windows and doors.

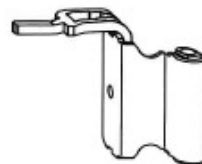


Product code	Description	Handing	System	Profile / Airgap	Packaging unit
704592	Bottom hinge KF	variable	uPVC	12	250
700495	Bottom hinge H	right	timber	4/18	100
700587	Bottom hinge H	left	timber	4/18	100
FBEL0010	Bottom hinge H	right	timber	12/18 + 12/20	250
700617	Filling piece	variable	timber	12/18	500
700624	Filling piece	variable	timber	12/20	500
FBLB0060-100010	Bottom hinge pin D7	variable	-	-	100

## Siegenia FAVORIT Stay Hinge

### Product information

Top stay hinge with interchangeable handing for windows & doors.

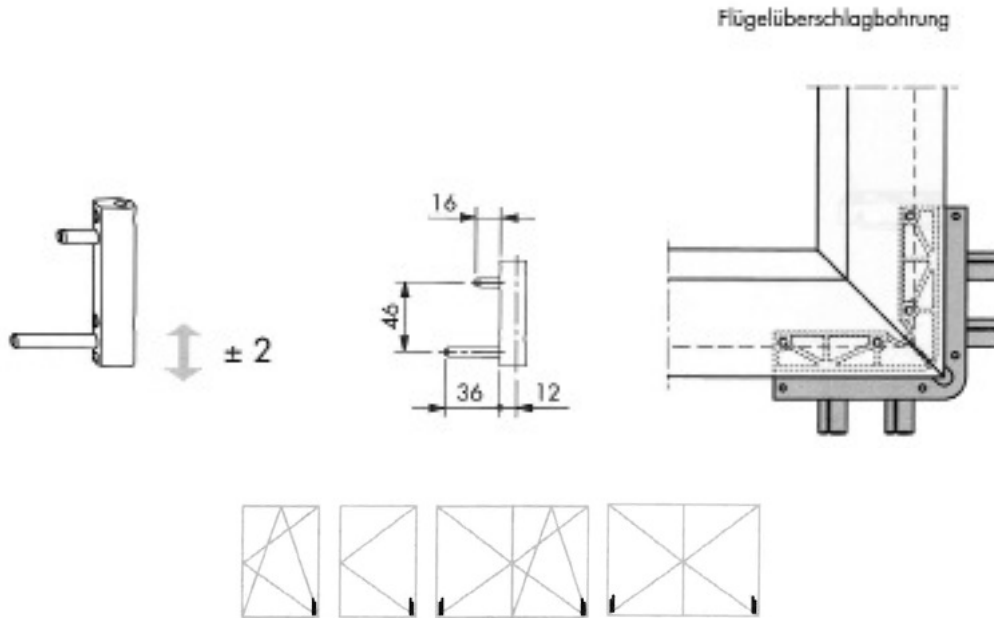


Product code	Description	Handing	System	Profile	Packaging unit
707432	Stay hinge KF	variable	uPVC	20-9	50
707456	Stay hinge KF	variable	uPVC	20-13	50
704257	Stay hinge H	variable	timber	18-9	50
717806	Stay hinge H	variable	timber	18-13	50
FBWB0010	Stay hinge H	variable	timber	20-13	50

**Siegenia FAVORIT Corner Hinge**

**Product information**

Bottom corner hinge for uPVC windows and doors.

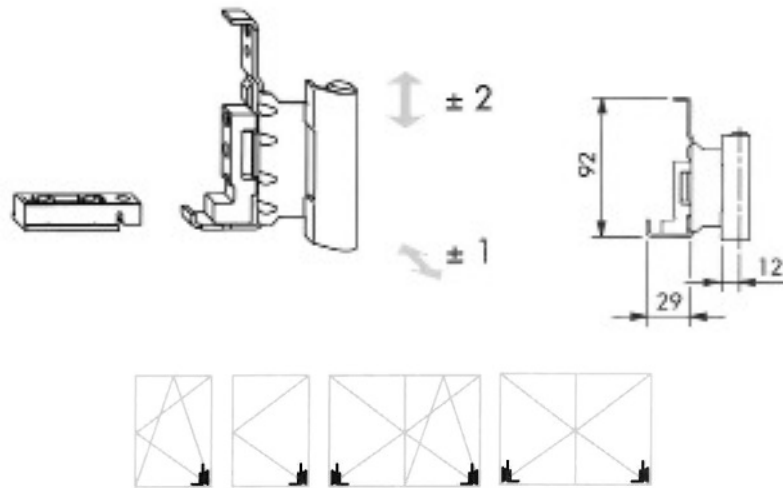


Product code	Description	Handing	System	Profile	Packaging unit
FBEB0020-100010	Corner hinge KF	variable	uPVC	D6x16/36	100

**Siegenia FAVORIT Rebate Corner Hinge**

**Product information**

Bottom rebate corner hinges for window and door sashes.

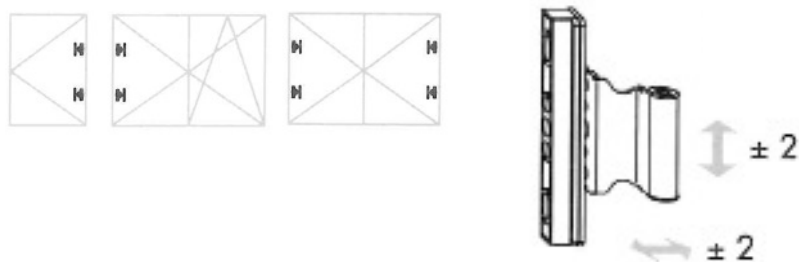


Product code	Description	Handing	System	Profile	Packaging unit
FBFE1021	Rebate corner hinge KF	right	uPVC	12/20-9	50
FBFE1022	Rebate corner hinge KF	left	uPVC	12/20-9	50
FBFE1041	Rebate corner hinge KF	right	uPVC	12/20-13	50
FBFE1042	Rebate corner hinge KF	left	uPVC	12/20-13	50
FBFE0011	Rebate corner hinge H	right	timber	4/18-9	50
FBFE0022	Rebate corner hinge H	left	timber	4/18-9	50
TBFE8401	Rebate corner hinge H	right	timber	12/18-9	50
TBFE8402	Rebate corner hinge H	left	timber	12/18-9	50
FBFE0041	Rebate corner hinge H	right	timber	12/18-13	50
FBFE0042	Rebate corner hinge H	left	timber	12/18-13	50
TBFE8431	Rebate corner hinge H	right	timber	20-13	50
TBFE8432	Rebate corner hinge H	left	timber	20-13	50

## Siegenia FAVORIT Sash Hinge

### Product information

Sash hinge for extra support on windows and doors.



Product code	Description	Handing	System	Profile	Packaging unit
704752	Sash hinge KF12/20 9	variable	uPVC	12/20-9	50
704776	Sash hinge KF12/20 13	variable	uPVC	12/20-13	50