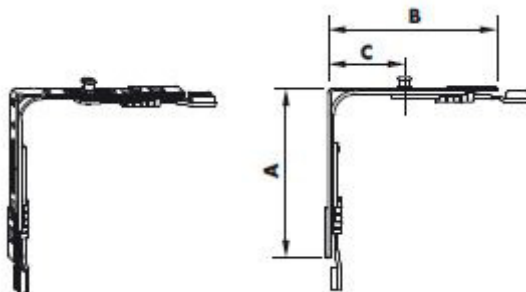


Siegenia TITAN AF E-Look Corner Drive VSO

Product information

Top corner drive.

Coastal surface coating



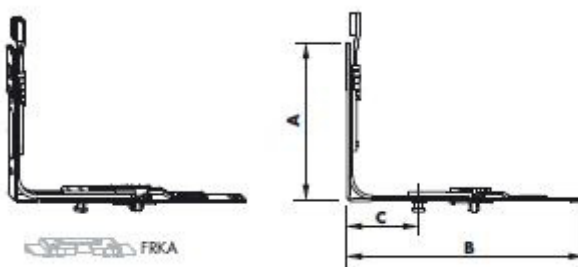
		Dimensions (mm)			Cams	Screws	Packaging unit
Product code	Description	A	B	C			
TEUL4010-200010	Corner Drive AF VSO	140	140	63	1	4	50

Siegenia TITAN AF E-Look Corner Drive VSU

Product information

Bottom corner drive.

Coastal surface coating



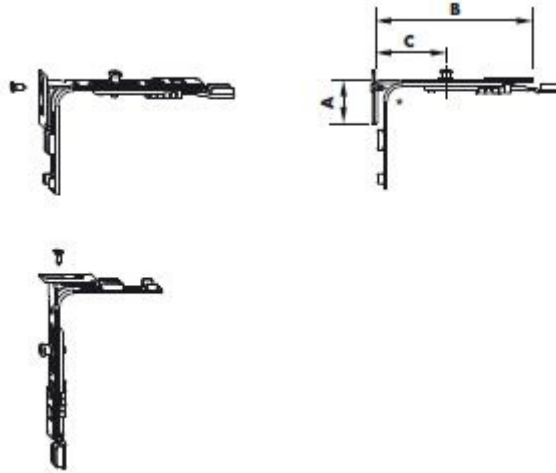
		Dimensions (mm)			Cams	Screws	Packaging unit
Product code	Description	A	B	C			
TEUL5010-200010	Corner Drive AF VSU	140	210	63	1	5	50

Siegenia TITAN AF E-Look Narrow Corner Drive VSO

Product information

Top narrow corner drive.

Coastal surface coating



Product code	Description	Dimensions (mm)			Cams	Screws	Packaging unit
		A	B	C			
TEUL4020-200010	Narrow corner drive AF VSO	38	140	63	1	3	50