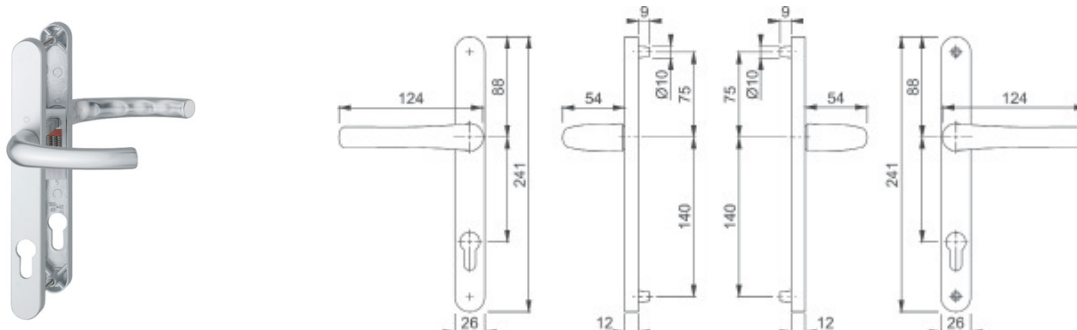


## Hoppe Tokyo Entrance Handle

### Product information

Screws and spindle supplied to suit 67-72mm door thickness.

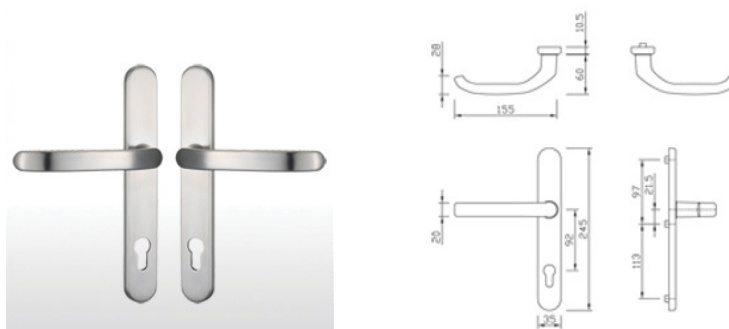


Product code	Description	Spindle	Faceplate size	Material	Colour / Finish	Packaging unit
HPENT1SL	Internal/external entrance lever handle set	8mm	26mm	aluminium	silver	20
HPENT1WH	Internal/external entrance lever handle set	8mm	26mm	aluminium	white	20
HPENT1BLK	Internal/external entrance lever handle set	8mm	26mm	aluminium	black	20
HPENT1BRN	Internal/external entrance lever handle set	8mm	26mm	aluminium	brown	20
HPENT1GLD	Internal/external entrance lever handle set	8mm	26mm	aluminium	gold	20

## greenteQ Entrance Handle

### Product information

Spindle kit sold separately.

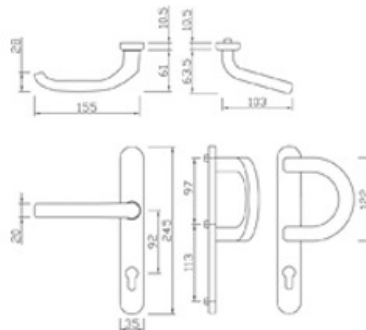


Product code	Description	Spindle	Faceplate size	Material	Colour / Finish	Packaging unit
GTENT2SS	Internal/external entrance lever handle set	8mm	28 x 243mm	aluminium	stainless	12
GTENT1WH	Internal/external entrance lever handle set	8mm	28 x 243mm	aluminium	white	12
GTENT1SL	Internal/external entrance lever handle set	8mm	28 x 243mm	aluminium	silver	12
GTENT1BRN	Internal/external entrance lever handle set	8mm	28 x 243mm	aluminium	brown	12
GTENT1BRZ	Internal/external entrance lever handle set	8mm	28 x 243mm	aluminium	bronze	12
GTESK002	Spindle kit for door thickness of 64-70mm	8mm	n/a	steel	n/a	1
GTESK003	Spindle kit for door thickness of 69-75mm	8mm	n/a	steel	n/a	1
GTESK004	Spindle kit for door thickness of 74-80mm	8mm	n/a	steel	n/a	1
GTEHSPRING	greenteQ entrance handle spring accessory	n/a	n/a	steel	n/a	1

## greenteQ D Pull Entrance Handle

### Product information

Spindle kit sold separately.

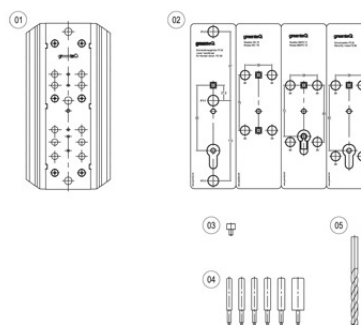


Product code	Description	Spindle	Faceplate size	Material	Colour / Finish	Packaging unit
GTENT2SL	Internal entrance handle set with external D pull	8mm	35 x 245mm	aluminium	silver	12
GTENT2BRZ	Internal entrance handle set with external D pull	8mm	35 x 245mm	aluminium	bronze	12
GTESK002	Spindle kit for door thickness of 64-70mm	8mm	n/a	steel	n/a	1
GTESK003	Spindle kit for door thickness of 69-75mm	8mm	n/a	steel	n/a	1
GTESK004	Spindle kit for door thickness of 74-80mm	8mm	n/a	steel	n/a	1
GTEHSPRING	greenteQ entrance handle spring accessory	n/a	n/a	steel	n/a	1

## greenteQ Entrance Handle Drilling Jig

### Product information

Includes four different templates for various handles, required guide pins and drills are included.



Product code	Description	Material
GTEH-JIG02	Equipped with hardened brushes, packaged in a plastic box	plastic

## Siegware Entrance Handle

**Product information**

Sprung handle with spindle kit included.

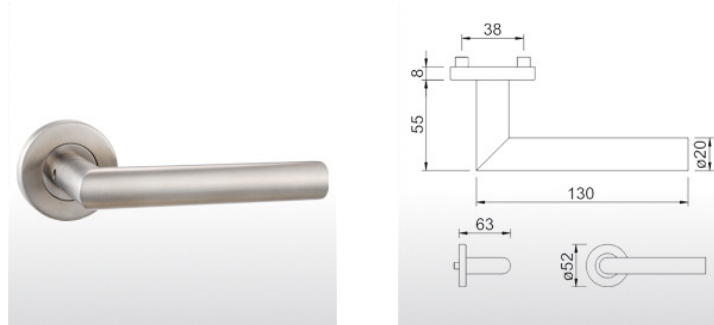


Product code	Description	Faceplate size	Spindle	Colour/Finish	Packaging unit
YA120H-SIL	Internal/external lever handle set	28 x 212mm	8mm	PC silver	2
YA120H-WHT	Internal/external lever handle set	28 x 212mm	8mm	PC white	2

## greenteQ 61 Range Internal Lever Handle

**Product information**

In two parts for easy assembly, invisible fixing.

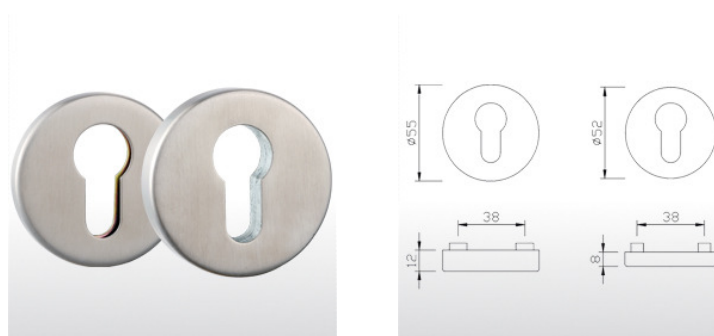


Product code	Description	Spindle	Material	Colour / Finish	Packaging unit
GTLHI2SS	Internal lever handle with cams	8mm	stainless steel	matt brushed	2
GTLHI1SS	Internal lever handle without cams	8mm	stainless steel	matt brushed	2

## greenteQ 61 Range Lever Handle Lock Escutcheon Set

**Product information**

Rosettes for entrance doors, to combine with pull handles and lever handles, invisible fixing, for door thickness 57-72mm.

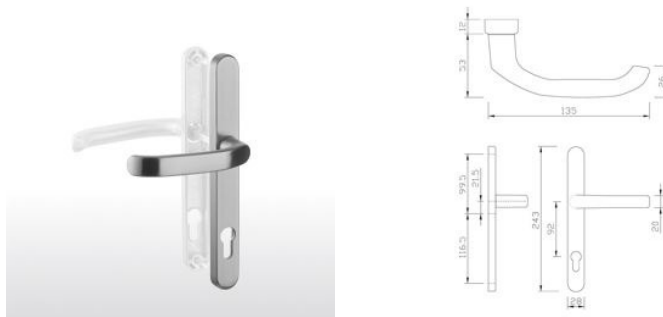


Product code	Description	Material	Colour / Finish	Packaging unit
GTLHE1SS	Lever handle escutcheon set	stainless steel	matt brushed	10 pairs

**greenteQ Entrance Internal Lever Handle**

**Product information**

In two parts for easy assembly and invisible fixing. Internal handle only for use on doors with external pull handle.

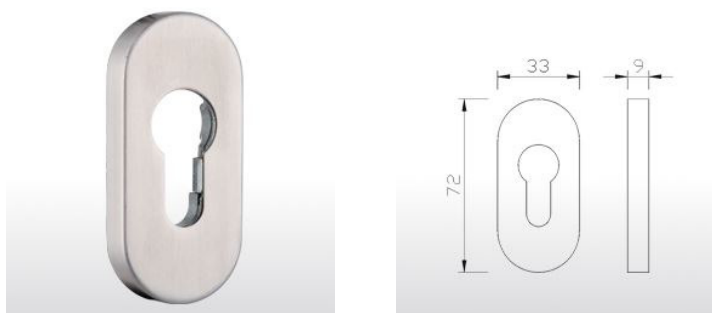


Product code	Description	Spindle	Material	Colour / Finish	Packaging unit
GTENT3SS	Internal lever handle with cams	8mm	stainless steel	matt brushed	1

**greenteQ Internal Oval Escutcheon**

**Product information**

Invisible fix internal escutcheon.



Product code	Description	Material	Colour / Finish	Packaging unit
GTEHE1SS	Lever handle escutcheon - single only	stainless steel	matt brushed	10