

DE

EN

FR

IT

NL

PL

RU

# AERO

## AEROPAC

Wall-mounted ventilator with sound absorption.

Window systems

Door systems

Comfort systems

## Content

<p><b>1 ABOUT THIS DOCUMENTATION ..... 27</b></p> <p>1.1 Target group of this documentation ... 27</p> <p>1.2 Notes on dimensions ..... 27</p> <p><b>2 SAFETY ..... 27</b></p> <p>2.1 Intended use ..... 27</p> <p>2.2 Safety notes ..... 28</p> <p><b>3 SCOPE OF DELIVERY ..... 29</b></p> <p><b>4 UNIT PROPERTIES ..... 29</b></p> <p><b>5 INSTALLATION ..... 30</b></p> <p>5.1 Installation requirements ..... 30</p> <p>5.2 Additional requirements for AEROPAC smart ..... 30</p> <p>5.3 Recommended unit position ..... 30</p> <p>5.4 Installation steps ..... 30</p> <p>5.4.1 Installation of the air pipe ..... 30</p> <p>5.4.2 Sealing and insulating the ventilation pipe. 32</p> <p>5.4.3 Mounting the weather grille ..... 33</p> <p>5.4.4 AEROPAC Fixing and connecting ..... 33</p> <p><b>6 UNIT FUNCTION ..... 36</b></p> <p>6.1 Ventilation without blower ..... 36</p> <p>6.2 Ventilation with blower ..... 36</p> <p>6.2.1 Recommended blower levels ..... 36</p>	<p><b>7 OPERATION ..... 37</b></p> <p>7.1 Open slider ..... 37</p> <p>7.2 Buttons on the unit ..... 37</p> <p>7.3 Operation via smartphone ..... 37</p> <p>7.3.1 Teaching devices ..... 37</p> <p>7.3.2 Device functions in the app ..... 37</p> <p>7.4 timer function ..... 38</p> <p>7.4.1 Program and activate the timer ..... 38</p> <p>7.4.2 Activate timer ..... 38</p> <p>7.4.3 Deactivate timer ..... 38</p> <p><b>8 CLEANING AND MAINTENANCE ..... 39</b></p> <p>8.1 Replacing the filter ..... 39</p> <p>8.2 Cleaning the air canal ..... 41</p> <p><b>9 RECTIFICATION OF MALFUNCTIONS ..... 43</b></p> <p><b>9.1 SIEGENIA Comfort app ..... 43</b></p> <p><b>10 ACCESSORIES ..... 44</b></p> <p><b>11 TECHNICAL SPECIFICATIONS ..... 45</b></p> <p>11.1 Data table ..... 45</p> <p>11.2 Information requirements (in accordance with EU Regulation 1253/2014) ..... 46</p> <p><b>12 EU DECLARATION OF CONFORMITY WITH REGARD TO CE MARKING ..... 47</b></p> <p><b>13 DECLARATION OF CONFORMITY FOR UKCA MARKING ..... 48</b></p>
---	---

## 1 About this documentation

### 1.1 Target group of this documentation

- This documentation is intended for use by specialists and end users.
- All instructions concerning assembly, installation and repairs described in this document are to be performed exclusively by experienced professionals with training and practice in the installation, commissioning and maintenance of decentralised ventilation units.

- All notes on operation and maintenance as well as the rectification of malfunctions described here are intended for specialists and end users.
- After the successful assembly and installation, the installation company is committed to handing over the operating instructions to the end user.

### 1.2 Notes on dimensions

- All the dimensions in this documentation are specified in millimetres (mm).

## 2 Safety

### 2.1 Intended use

- Use the AEROPAC exclusively for the ventilation of closed rooms (kitchen, bathroom, living rooms and bedrooms).
- The unit is not suitable for use in swimming pools and/or damp locations.
- Be sure to mount the supplied SIEGENIA weather grille for the protection of the unit from the outer side.
- Do not install the unit in contaminated rooms and ensure that no hazardous substances can be drawn in.
- If the unit is to be used in a room with a heating unit that draws air from the room, prior authorisation must be obtained from the proper authorities, such as the officially appointed district chimney sweep.
- Observe appropriate possibilities such as adequately dimensioned overflow openings.  
On request, we can send you notes regarding overflow (H45.WANS001INT).
- Only operate and/or store the AEROPAC at temperatures between -15 °C and +40 °C.
- Use the unit only with original accessories from SIEGENIA.
- The unit must always be installed by an experienced specialist, in accordance with the installation and planning documents of SIEGENIA. The installation information in these instructions must be complied with at all times.
- Comply with the safety regulations for operating electrical equipment and, if necessary, for ladders, steps and work overhead or at certain heights.
- Use the unit only when it is in a technically sound condition.
- Do not modify the unit's components in any way.

DE

EN

FR

IT

NL

PL

RU

DE

EN

FR

IT

NL

PL

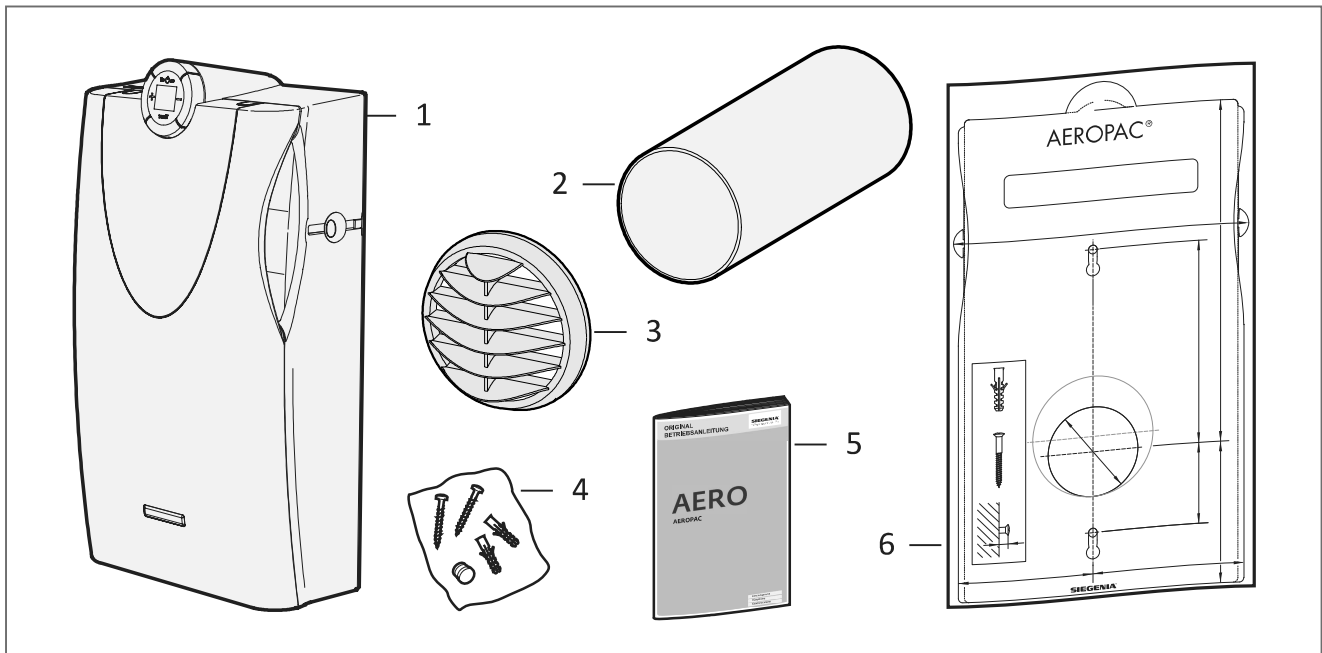
RU

- Ensure that the unit's ventilation openings are kept free and are not blocked by other equipment, furniture or objects.
- Please do not put any objects on top of the unit.
- Please make sure that the unit is not locked via the lock for a longer period (several days) in order to enable minimum ventilation and to prevent nesting of insects.
- At least one of the two ventilation openings must be open while the blower is switched on.
- The unit must be checked by a specialist in the event of a fault.
- Only a qualified electrician may perform any work on the 230 V AC mains power supply that is required in order to connect the unit.
- All-pole safety isolation is required if the customer is routing the mains cable.
- Current local regulations (such as those of the VDE in Germany) must be observed.
- Relevant country-specific regulations must be strictly followed for all work carried out on the voltage supply system or house wiring system.
- Should a solid object or any liquid get inside the unit, stop operation immediately and disconnect the unit from the electricity grid.

## 2.2 Safety notes

- This unit can be used by children aged 8 and above as well as by people with physical, sensory or mental difficulties or with a lack of experience and knowledge as long as they are supervised or have been instructed in how to use the unit safely and understand the resulting risks. Children must not play with the unit. Cleaning and user maintenance may not be carried out by unsupervised children.
- Electrically operated unit. Risk of fatal injury from electric shock or fire. To prevent personal injury or damage to property, always comply with the following instructions
  - Insert the Euro mains plug of the standard connecting cable only into a suitable 230 V AC mains power supply socket.
  - If the mains connection cable for the unit is damaged, it must be replaced by SIEGENIA, its customer service or an equally qualified person to eliminate hazards.
- Danger due to third party attacks on SIEGENIA WIFI devices! Please observe the following notes to protect your system against attacks by third parties:
  - every SIEGENIA WIFI device is protected by two passwords (user and administrator). It is essential that you change these passwords after the initial setup. Do not leave in the default setting.
  - If the SIEGENIA WIFI devices are integrated in your home WIFI, this must be encrypted for operation.
  - Please choose secure passwords consisting of lower case and capital letters, numbers and special symbols.

### 3 Scope of delivery



Item	Name
1	AEROPAC wall-mounted ventilator with Filter ISO coarse 55%
2	Ventilation pipe $\varnothing$ 80 mm, length 500 mm
3	Weather grille
4	Bag of screws (2 screws, 2 dowels, 1 plug)
5	Original operating instructions
6	Drilling template

### 4 Unit properties

Property	AEROPAC DD	AEROPAC SN	AEROPAC smart
Sound absorption:	●	●	●
low inherent noise	●	●	●
filters dust and exhaust fume odours	●	●	●
blower	—	●	●
timer function	—	●	●
filter replacement indicator	—	●	●
operation via SIEGENIA Comfort app	—	—	●

## 5 Installation

DE

EN

FR

IT

NL

PL

RU

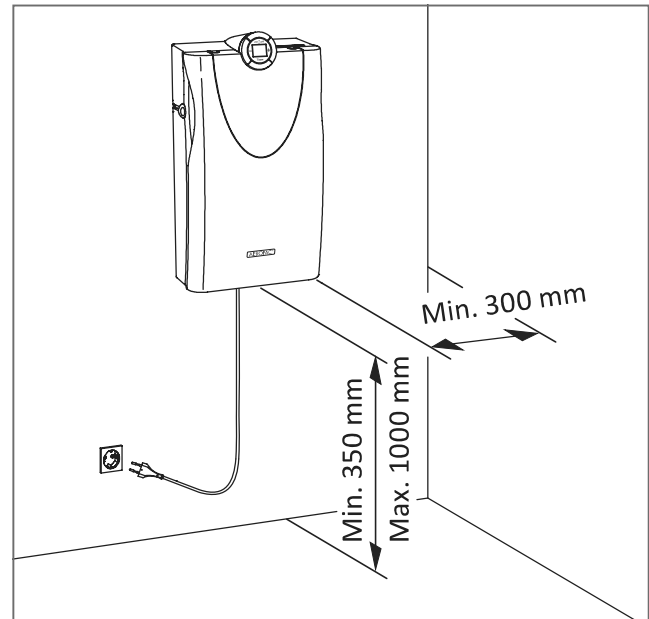
### 5.1 Installation requirements

- Suitable installation position:
  - in the vicinity of a 230 V AC power connection (unit's maximum cable length: 4.5 m)
  - for fixed connection via a wall-mounted outlet box
  - not in the immediate vicinity of radiator thermostats
- a smooth and even wall
- Ensure that no cables or pipes are routed inside the wall at the unit's designated position.
- Keep the unit free from dirt during installation and before start-up.
- To prevent damage to the high-quality surface of the unit, it is advisable to wear suitable gloves during the installation.

### 5.2 Additional requirements for AEROPAC smart

- The AEROPAC smart should be installed to be as free from interference as possible. The following interferences can have a negative influence on the WIFI signal:
  - water pipes
  - stone and concrete walls
  - metal objects
  - air conditioning units
  - wireless devices (e. g. radio telephones, baby monitors, Bluetooth loudspeakers, etc.)
  - WIFI networks on the same wireless channels (e. g. the neighbour's WIFI router)
- If energy-carrying cables are routed in parallel to data cables (ISDN, DSL, etc.), this could lead to impairment e.g. in the speed of the data transmission.

### 5.3 Recommended unit position



### 5.4 Installation steps

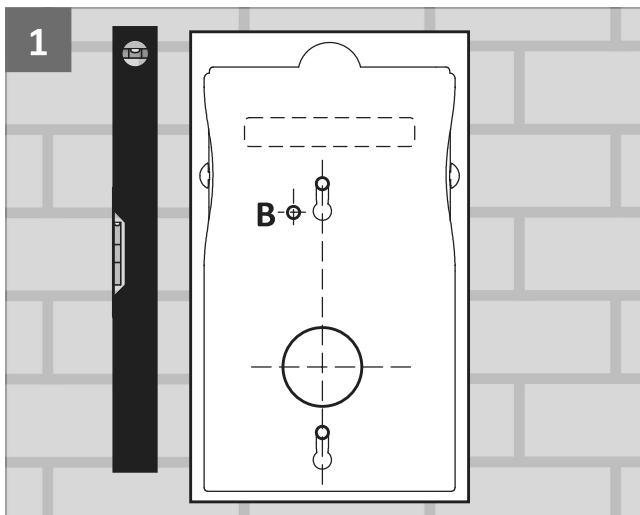
#### 5.4.1 Installation of the air pipe

#### ⚠ NOTICE

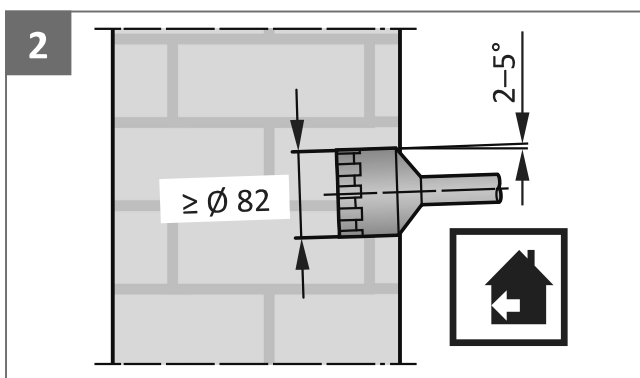
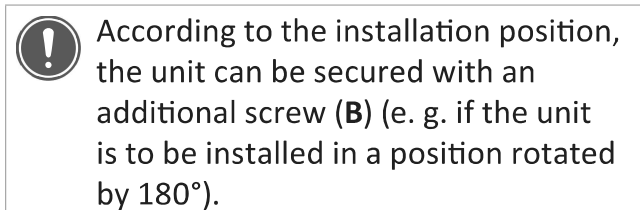
#### Material damage due to holes in lines or cables

Damaged water lines, gas pipes or cables can cause material damage.

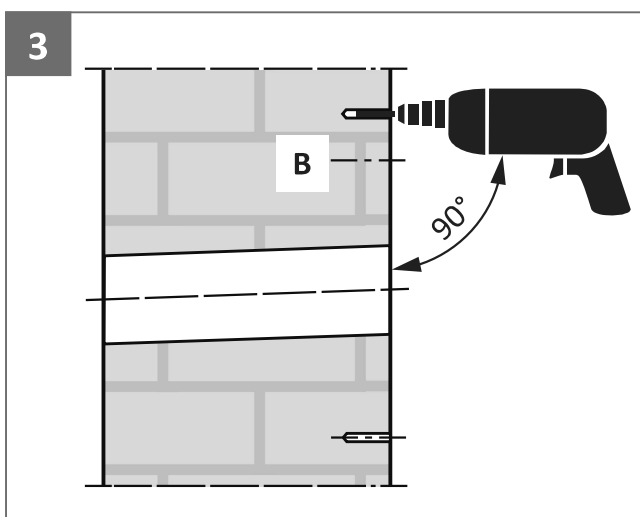
- Prior to installation, check with a test unit that there are no lines or cables routed in the wall at the installation position.



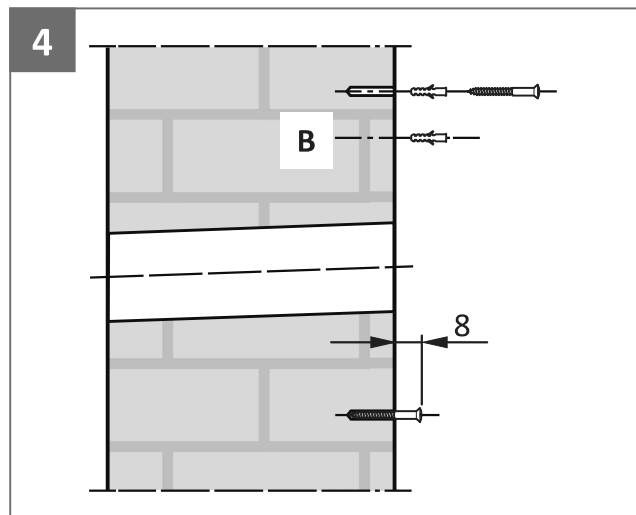
Mark core holes and fixing holes



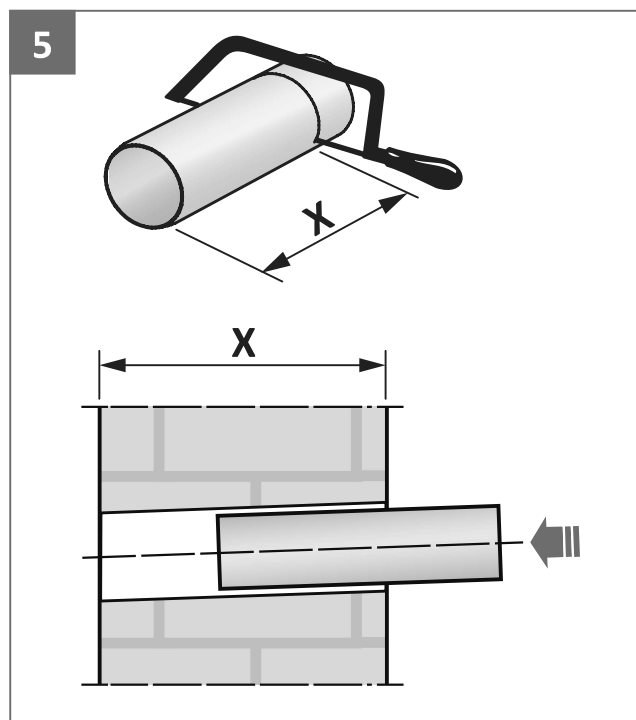
Drill the core hole



Drill the fixing holes



Insert dowels and screw screws up to 8 mm into the dowels



Shorten the ventilation pipe and push into the core hole

- DE
- EN
- FR
- IT
- NL
- PL
- RU

### 5.4.2 Sealing and insulating the ventilation pipe

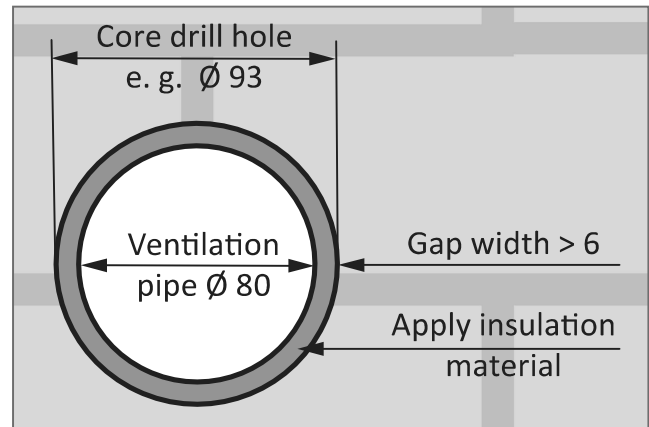
The ventilation pipe must be sealed and insulated at the connection joint inside the room and outside (transition point between ventilation pipe and core hole).

- To ensure that no warm and humid indoor air enters the outside wall, the connection joint inside the room must be air-tight. We recommend the use of an acrylic sealing compound (observe the manufacturer's instructions).
- To prevent moisture from entering the outside wall, the exterior connection joint must be sealed all round using a durable sealant (watertight). We recommend the use of a silicone sealing compound (observe the manufacturer's instructions).
- For joint widths > 6 mm, it is essential that the thermal insulation is free of voids and suitable insulating material is used for all wall systems.

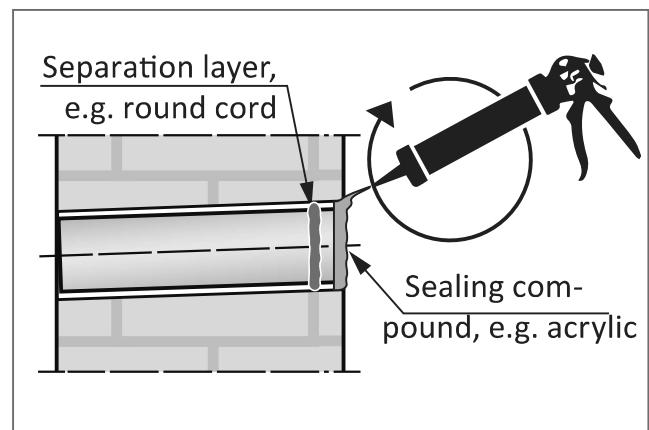


While sealing and insulating, please observe the following information:

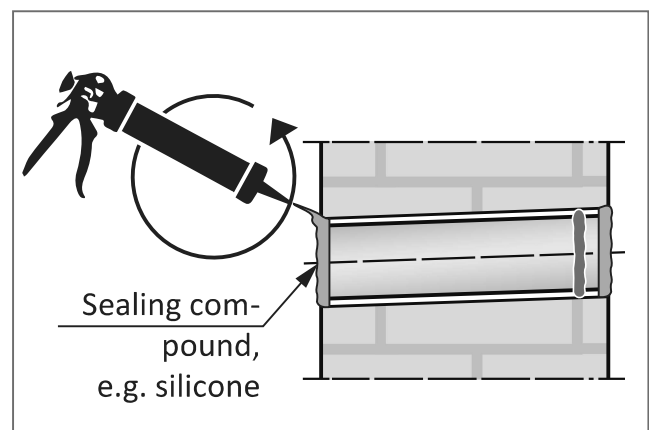
- ensure that the gap to be sealed is wide enough to allow for movement in the materials.
- ensure that the adhesive surfaces are clean and free of grease. In particular, remove any residues of insulation material.



Attach thermal insulation

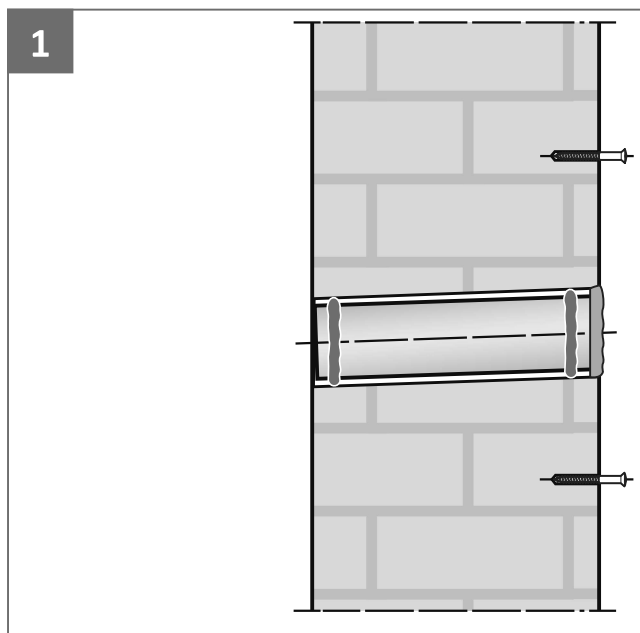


Seal ventilation pipe on the room side

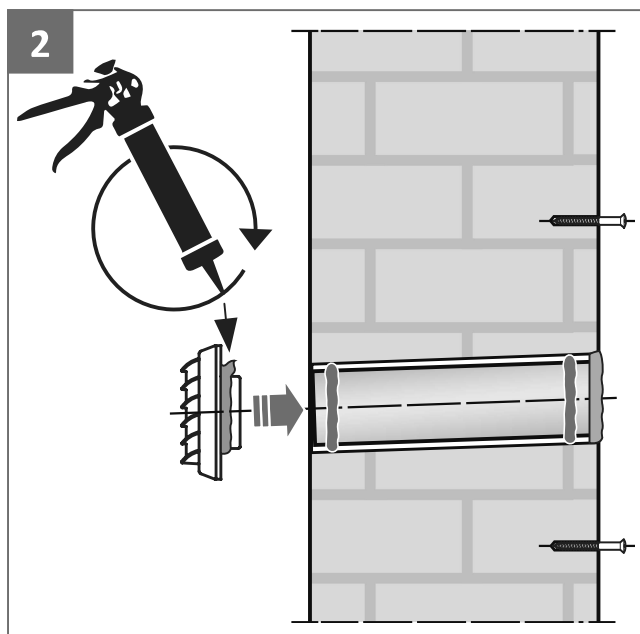


Seal ventilation pipe on the outside

## 5.4.3 Mounting the weather grille



To prevent three-point adhesion from occurring, insert a separating layer such as a round cord into the gap.

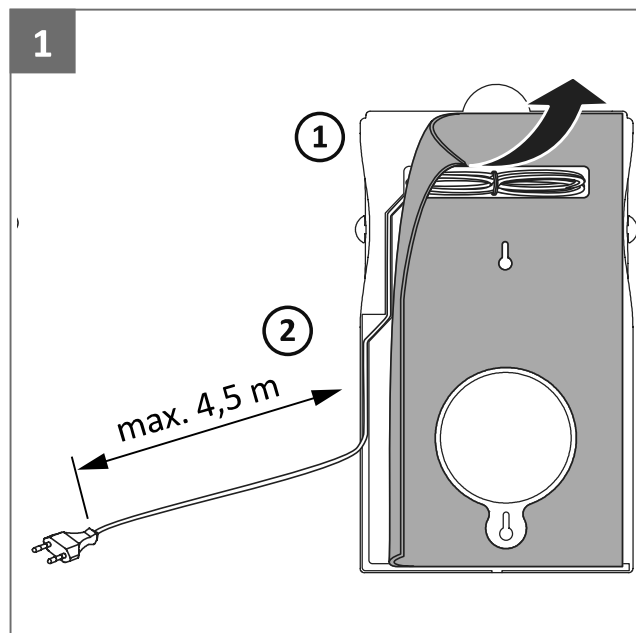


Insulate and fit the weather grille

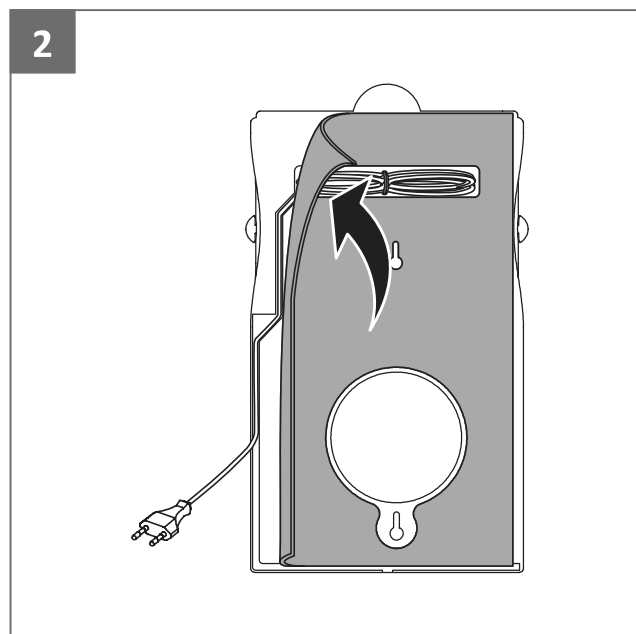


The lamellae on the weather grille must point downwards.

## 5.4.4 AEROPAC Fixing and connecting



Lift the foam along the cable channel ① and pull out the cable to the required length ②



Press the foam back into place

DE

EN

FR

IT

NL

PL

RU

DE

EN

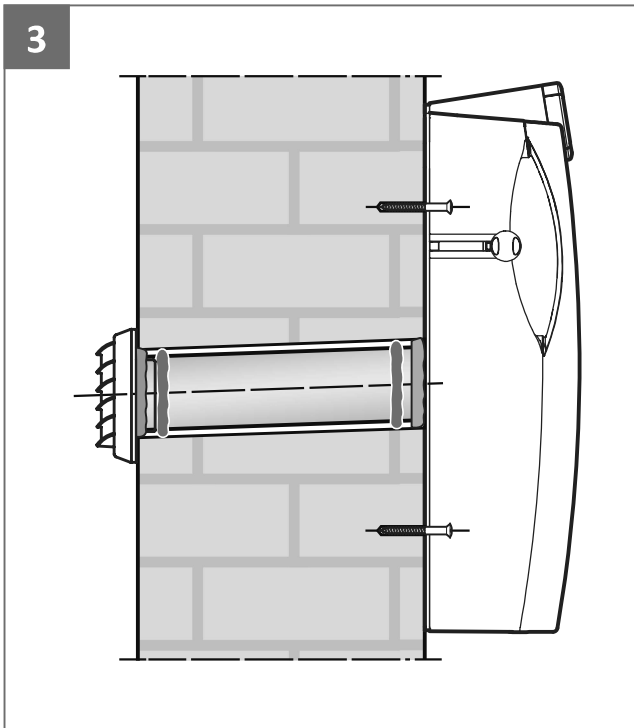
FR

IT

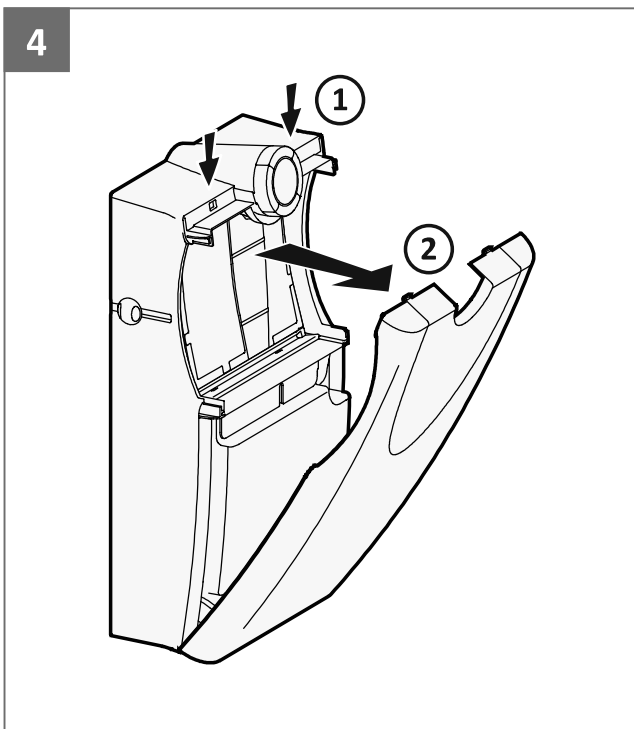
NL

PL

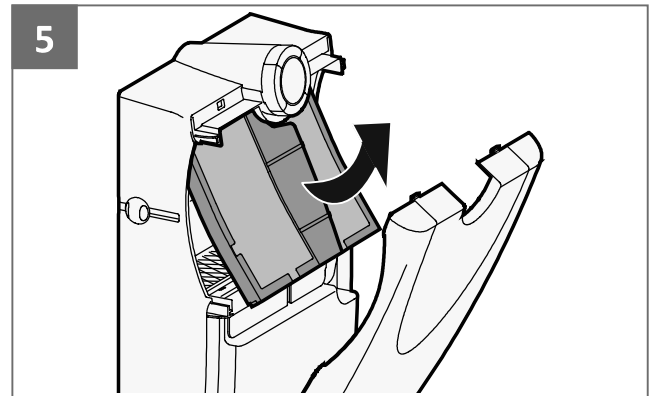
RU



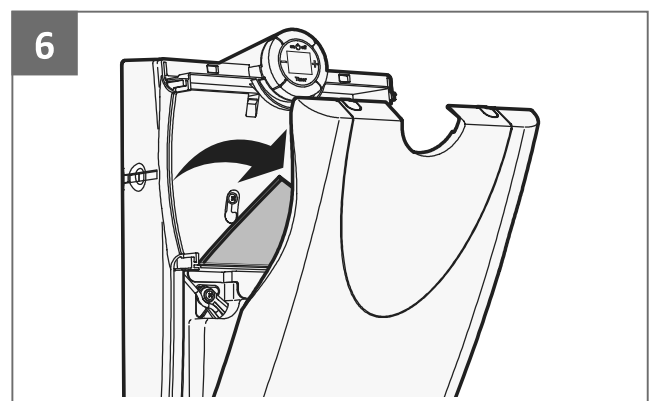
Hang the unit on the wall



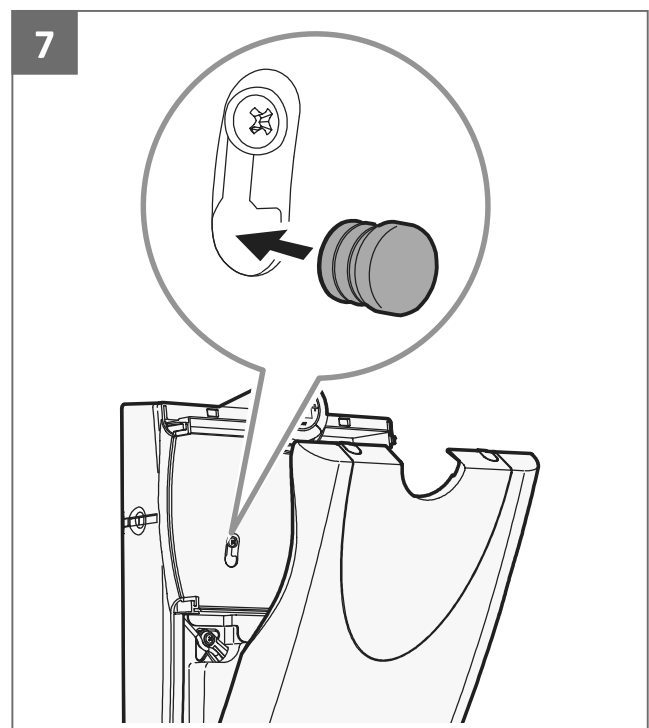
Open the front panel



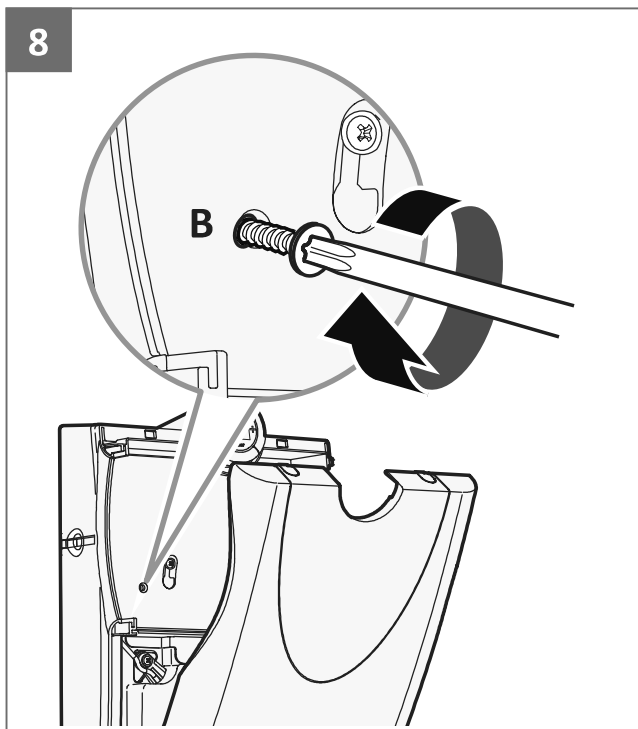
Remove filter frame and filter



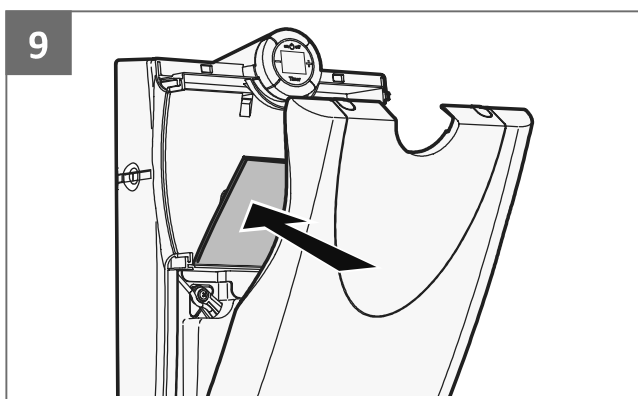
Release the insulation mat forwards



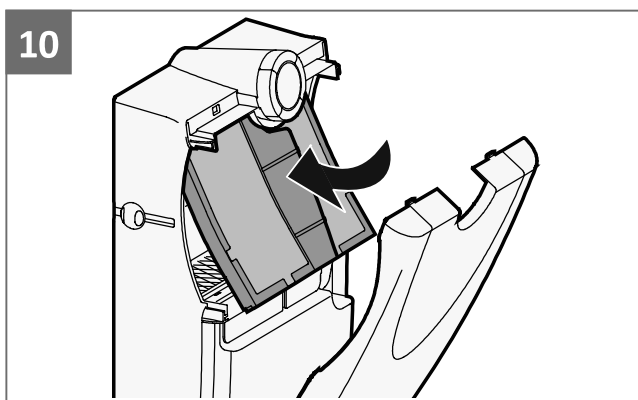
Press the plug into the oblong hole until you reach the stop



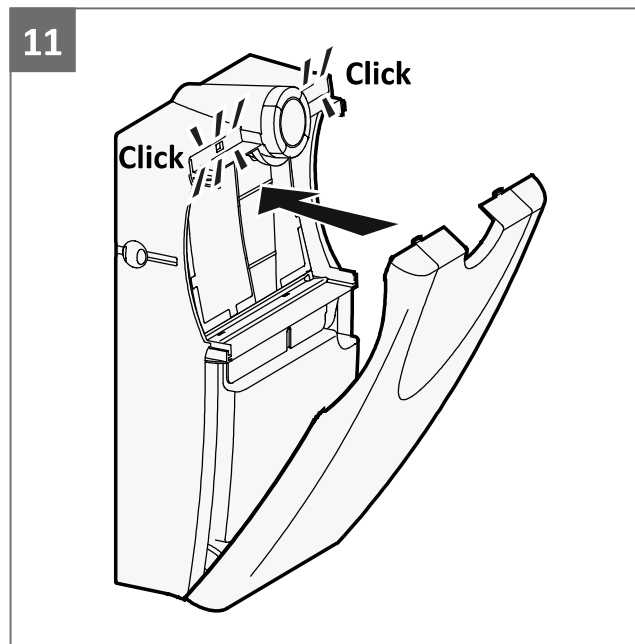
AEROPAC Fix additionally with a suitable screw for optional security device (B)



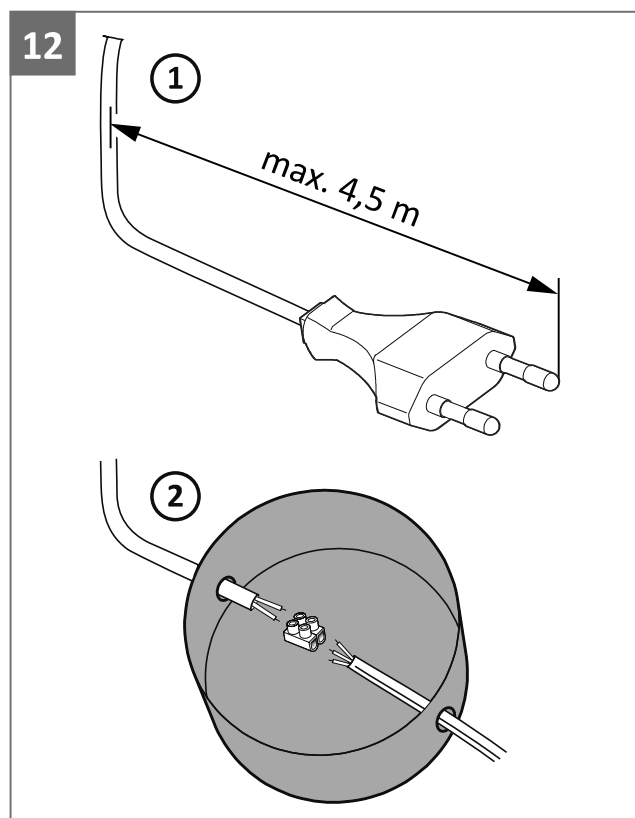
Press the insulation mat into place



Insert the filter frame and filter



Close front panel



AEROPAC Connect to power supply

- ① Standard connection
- ② Fixed connection via a wall-mounted outlet box

DE

EN

FR

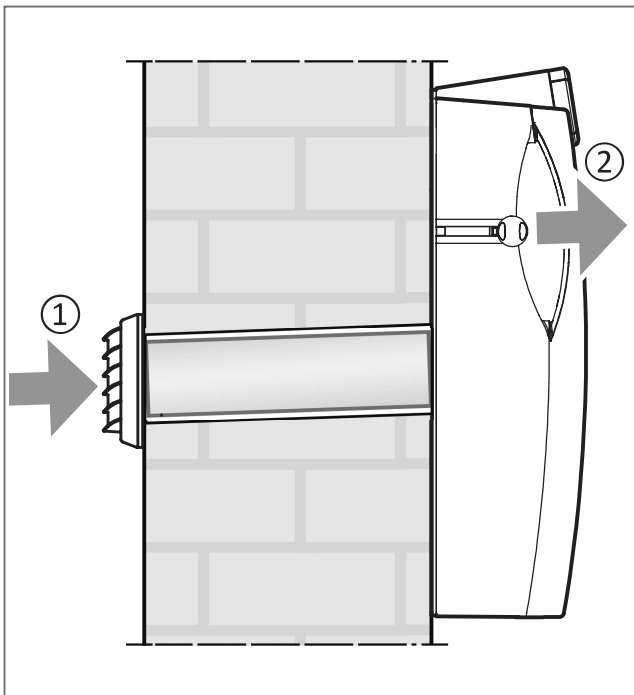
IT

NL

PL

RU

## 6 Unit function



### 6.1 Ventilation without blower

When the blower is switched off, the unit equalises the pressure of the indoor and outdoor air to allow fresh air from the outside (1) to flow inside (pressure differential ventilation) (2).

### 6.2 Ventilation with blower

The outside air (1) is drawn in and enters the room as filtered supply air (2).

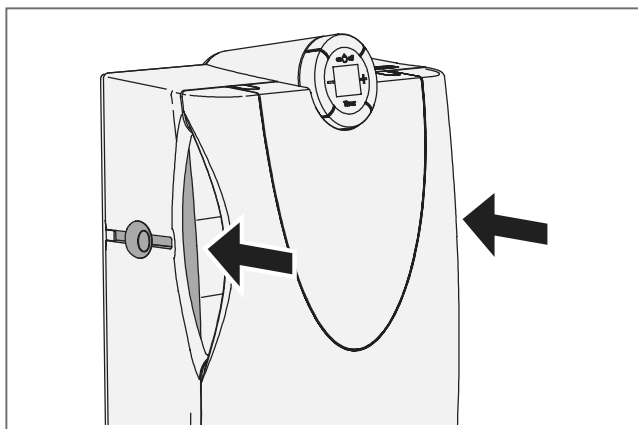
#### 6.2.1 Recommended blower levels

Persons in the room	Air throughput	Blower level
1	30 m <sup>3</sup> /h	
2	60 m <sup>3</sup> /h	
> 2	160 m <sup>3</sup> /h	

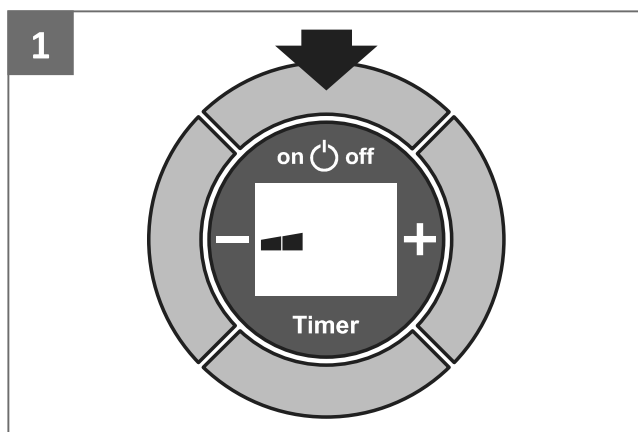
- DE
- EN
- FR
- IT
- NL
- PL
- RU

## 7 Operation

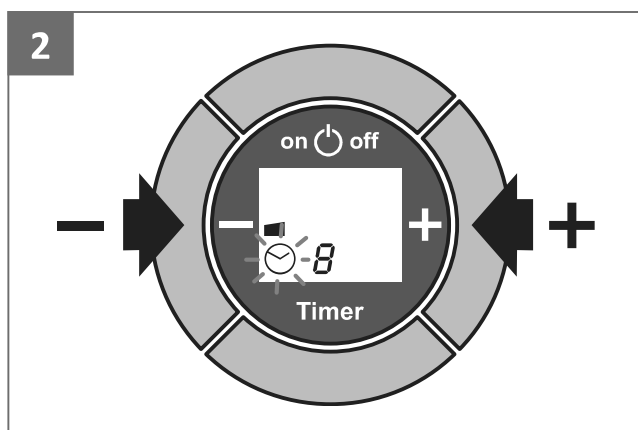
### 7.1 Open slider



### 7.2 Buttons on the unit



Switch on unit



Set blower level:

- + button: increase blower level
- button: reduce blower level

### 7.3 Operation via smartphone

The AEROPAC smart can be controlled by a tablet or smartphone and offers additional device functions via the SIEGENIA Comfort app.

#### 7.3.1 Teaching devices



See enclosed quick start instructions (H47.MOTS005EN)

#### 7.3.2 Device functions in the app

- Adjust blower performance
- Program the timer
- Warning (filter replacement): as soon as a filter replacement is required, this will be indicated as a warning.

DE

EN

FR

IT

NL

PL

RU

## 7.4 timer function

DE

EN

FR

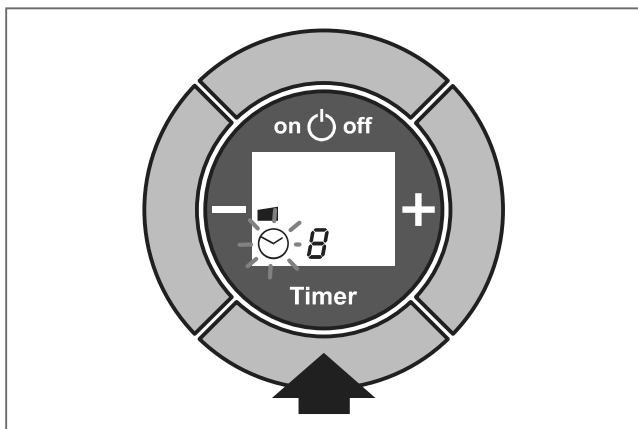
IT

NL

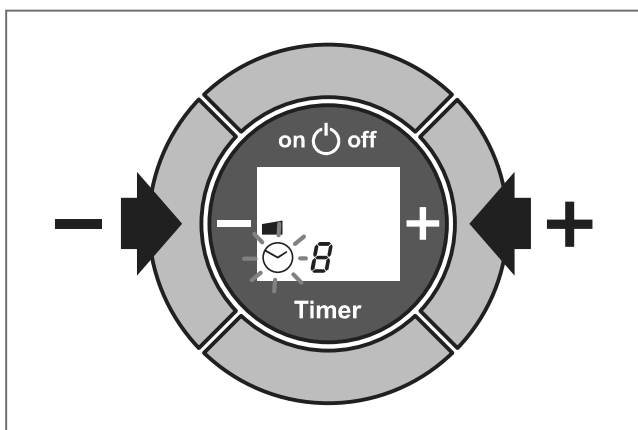
PL

RU

### 7.4.1 Program and activate the timer



Press **Timer** button 1x

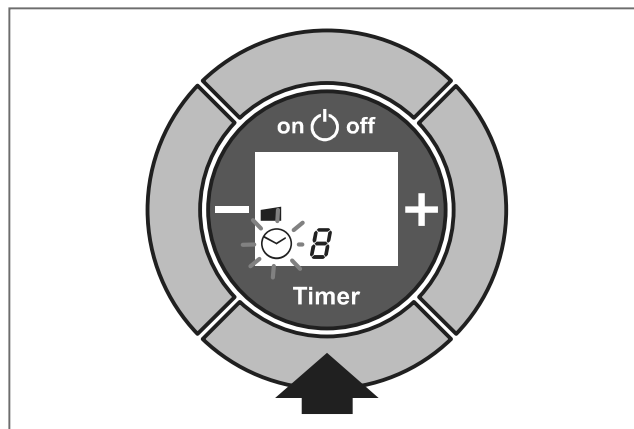


- To shorten the running time, press the – button immediately
- To extend the running time, press the + button immediately.

#### Notes:

- the running time of the timer is adjustable between 1–18 hours.
- The display lights up briefly after adjustment of the running time, the clock symbol flashes, and the set blower level plus the running time in hours are displayed.
- After approx. 5 seconds, the display changes to show the remaining run time.

### 7.4.2 Activate timer



Press **Timer** button

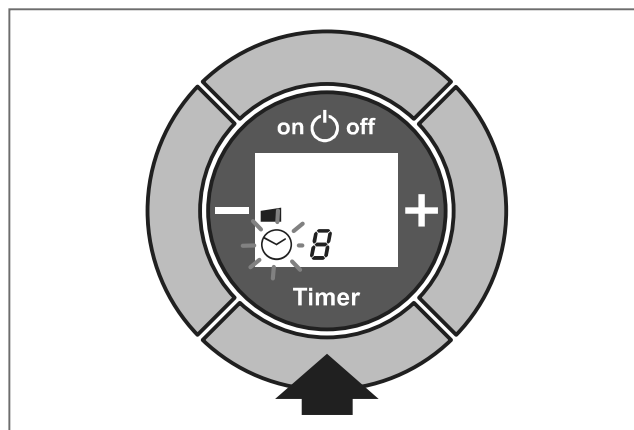
#### Notes:

- the blower automatically switches off after the running time has elapsed.
- Every 24 hours after the timer has been activated, the unit restarts automatically with the adjustment that was last selected.



After a power failure, the timer must be reactivated.

### 7.4.3 Deactivate timer



Press **Timer** button

## 8 Cleaning and maintenance

### ⚠ WARNING

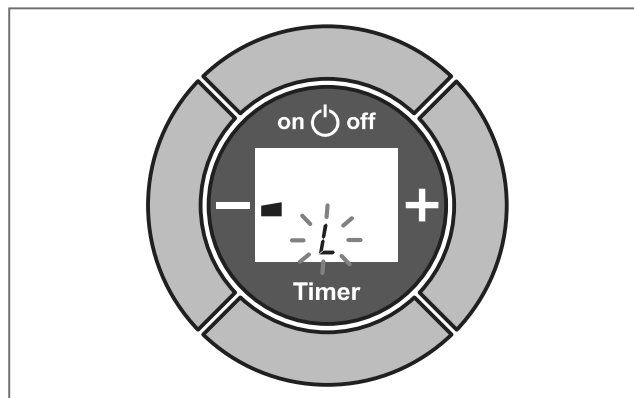
#### Electric shock or fire due to exposed electrical components

You could suffer an electric shock if you touch the electrical components. Flying sparks could cause a fire. You could suffer life-threatening injuries caused by electric shock or fire.

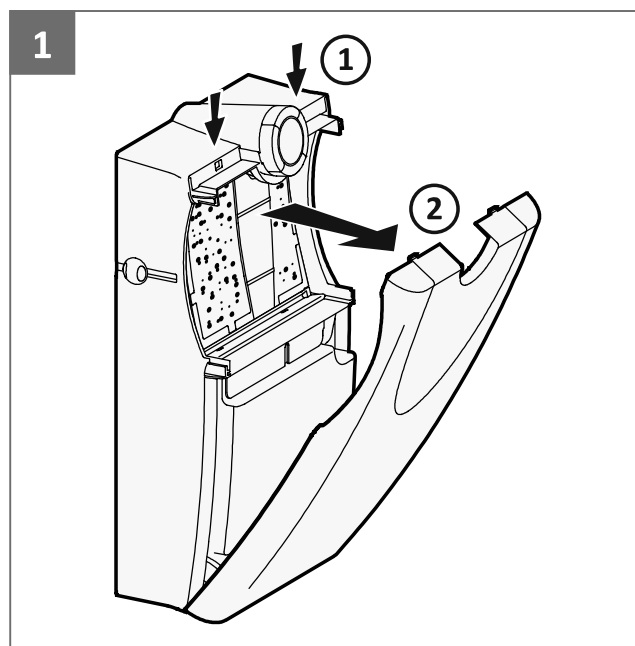
- Switch off unit prior to work.
- Pull the mains plug out of the socket.
- With a fixed connection at the 230-V AC mains power supply, switch off the safety device at the mains connection.

- When cleaning the AEROPAC, do not allow any liquid to get inside the unit.
- Never use cleaning agents that are aggressive or contain solvents, or sharp-edged objects, as these may damage the surfaces of the casing.
- Never clean the unit with a high-pressure cleaner or steam-jet cleaner.
- Clean the AEROPAC with a cloth moistened with a mild soap solution or cleaning agent.

### 8.1 Replacing the filter



The filter must be replaced as soon as the filter replacement indicator (L) lights up.



Open the front panel

DE

EN

FR

IT

NL

PL

RU

DE

EN

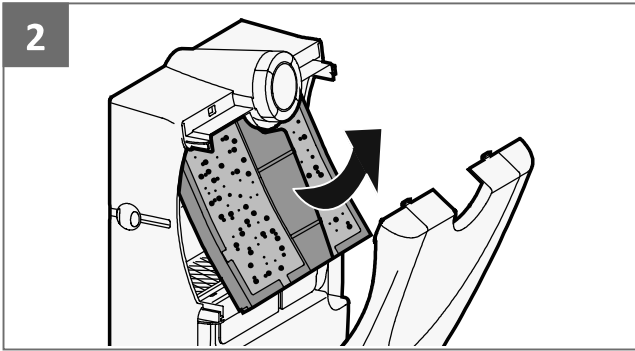
FR

IT

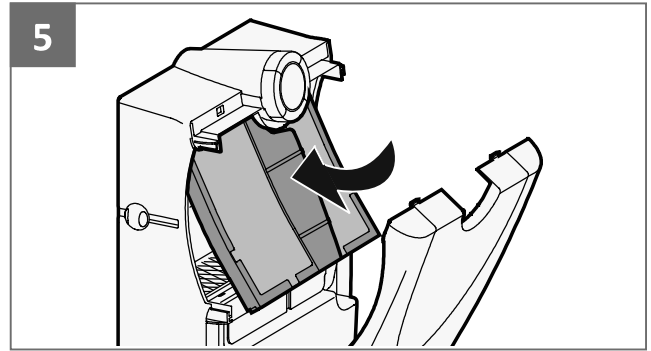
NL

PL

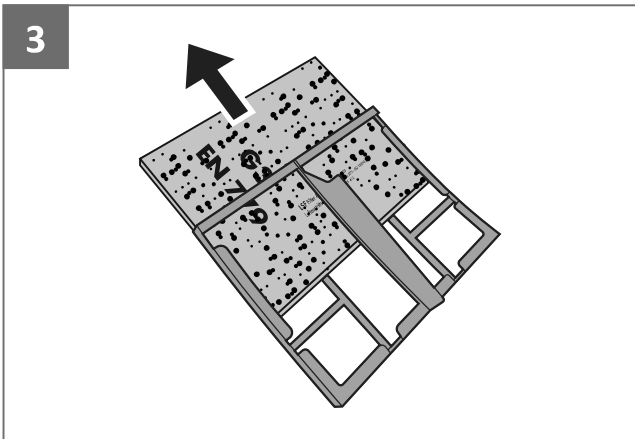
RU



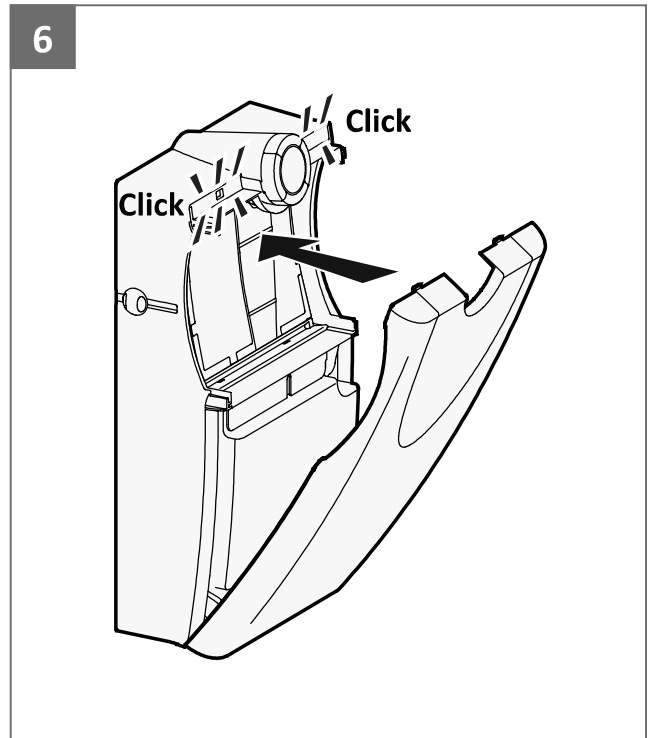
Remove filter frame and filter



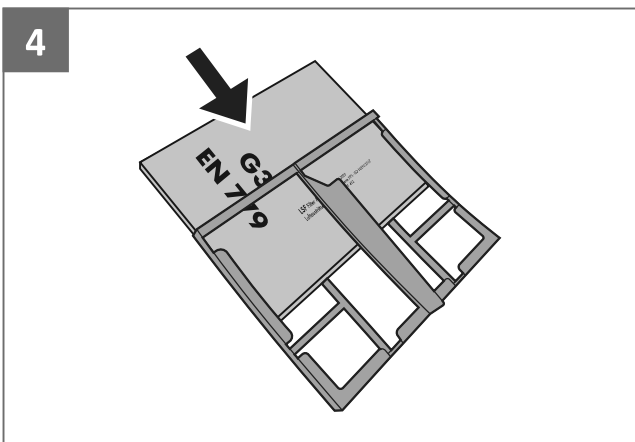
Insert the filter frame and filter




Remove and dispose of the old filter

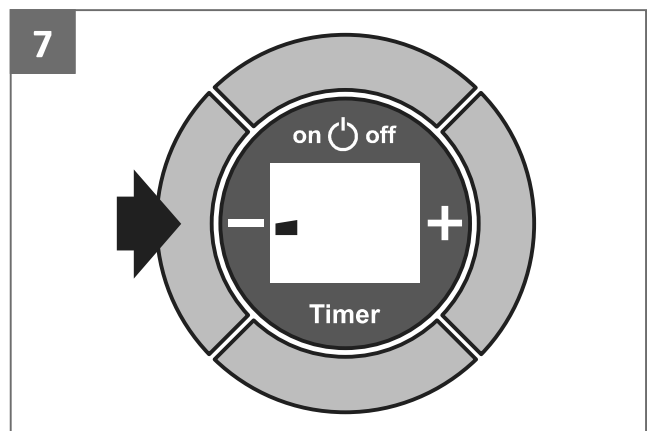


Close front panel



Slide new filter into the filter frame

 Make sure that the printing on the filter is visible when you insert it into the filter frame.

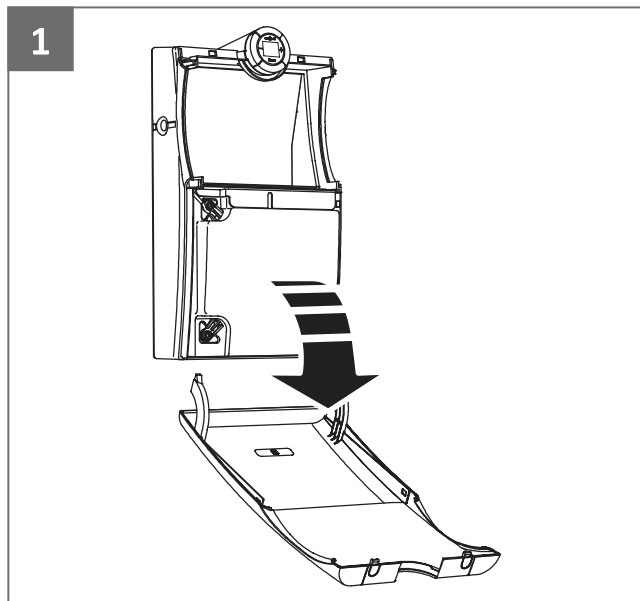


Press the minus button (-) for approx. 5 seconds until the filter replacement indicator (L) extinguishes

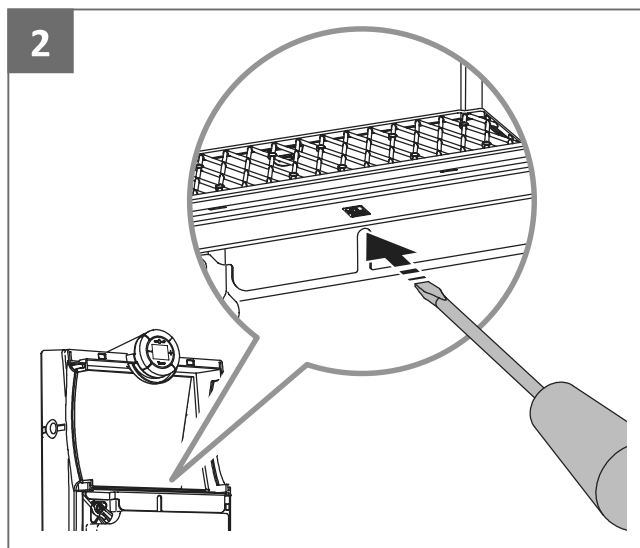
## 8.2 Cleaning the air canal



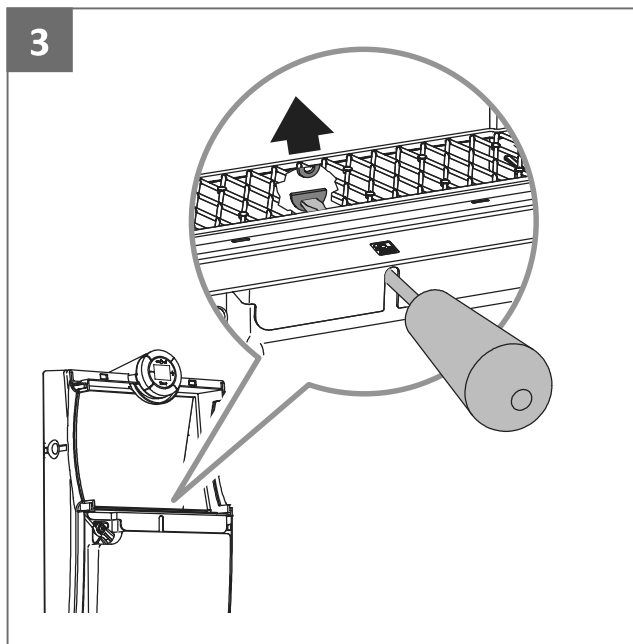
The cleaning of the air canal may only be performed by experienced professional with training and practice in the maintenance of decentralised ventilation units.



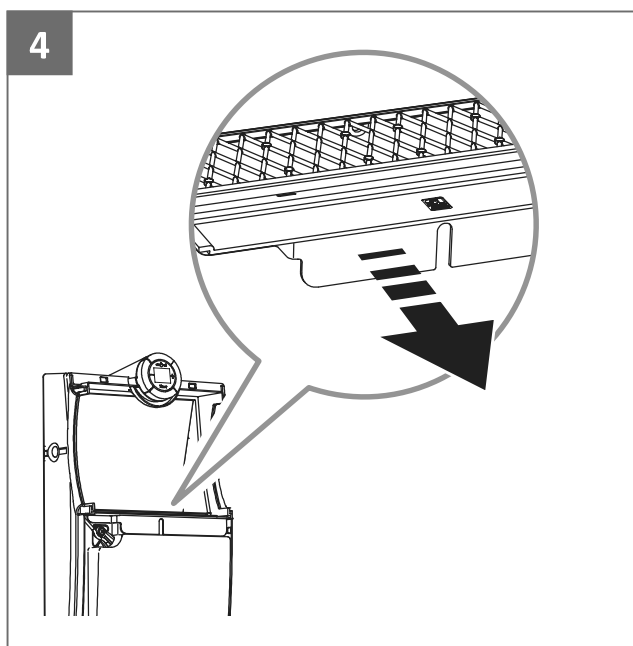
Open the front panel and pull open completely at the point of resistance  
Remove the filter frame (see page 39)



Insert a suitable flat screwdriver through the recess of the protective grille into the horizontal slot of the locking mechanism



Push the screwdriver into the locking mechanism until the fastening clip is released.



Remove the protective grille from the guide.  
Carefully clean the air canal manually using a vacuum cleaner, for example.

DE

EN

FR

IT

NL

PL

RU

DE

EN

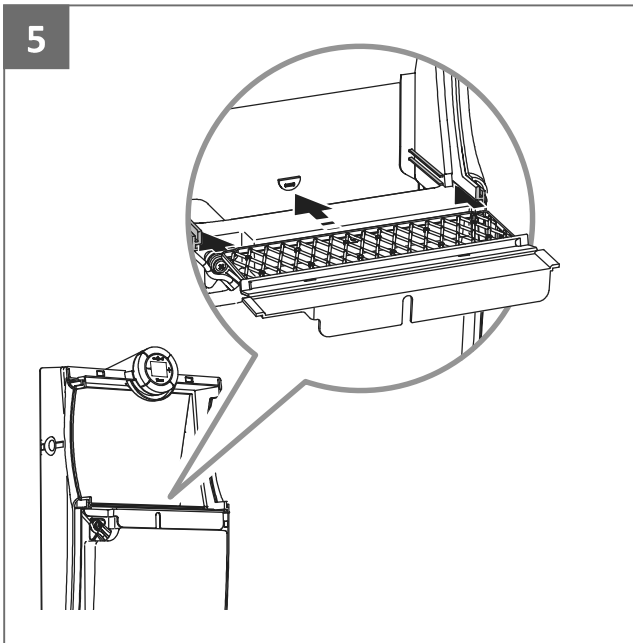
FR

IT

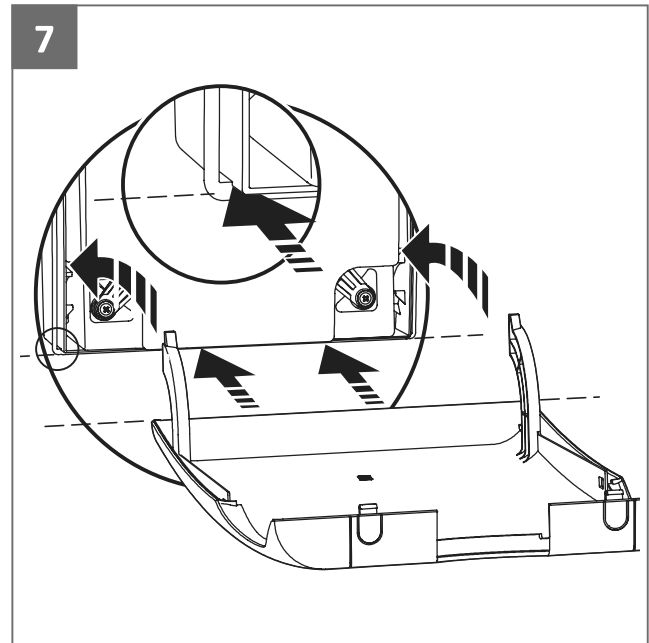
NL

PL

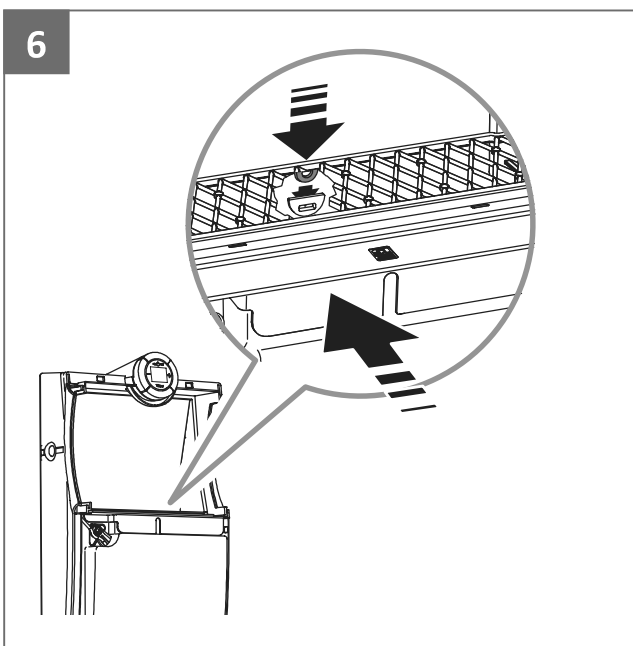
RU



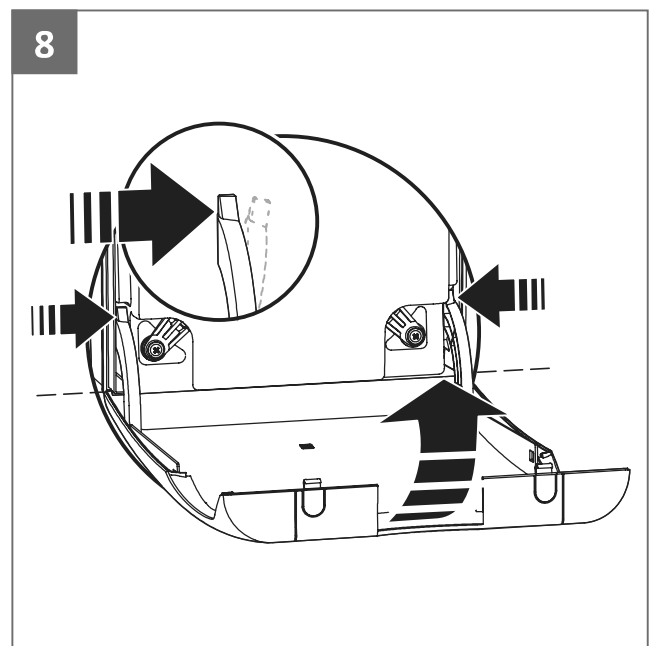
Insert the protective grille into the guide groove on the right and on the left.



Position the lower edge of the front panel horizontally onto the lower edge of the unit.



Press the protective grille lightly against the rear panel. At the same time, carefully lift the fastening clip and push into the locking mechanism.

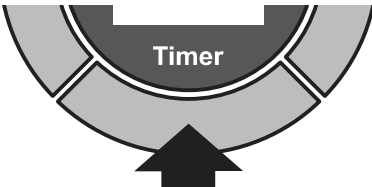


Press the two holding arms of the front panel inwards while closing the front panel at the same time. While closing, ensure that the edge of the front panel is resting on the bottom edge of the unit.

## 9 Rectification of malfunctions

In case of a malfunction, do not open the unit or try to repair it under any circumstances. If the problem is not described in the table

below, please contact your installation firm or SIEGENIA directly, tel. +49 271 3931-0

Problem	Possible cause	Solution
AEROPAC shows no reaction when button is pressed	No power supply	Check power supply
	Wiring wrong/defective or cable defective	Have the wiring checked by a qualified electrician
	Power supply defective	Have the supply voltage checked by a qualified electrician
AEROPAC smart does not respond to smartphones/tablets	No WIFI connection to the router of the home network	Restart WIFI router of the home network
	No WIFI connection to the smartphone/tablet	Restart smartphone/tablet
	No WIFI connection to the AEROPAC smart	Reset AEROPAC smart: <ol style="list-style-type: none"> <li>1. press button 3 times quickly in succession</li> <li>2. then immediately press and hold button 1x (for approx. 4 seconds)</li> </ol>  <p>the AEROPAC smart will then return to the default setting.</p>

### 9.1 SIEGENIA Comfort app

You will find detailed operating information and information on how to rectify malfunctions on the SIEGENIA Smarthome Internet page.

<https://smarthome.siegenia.com>



## 10 Accessories

Name	Quantity	Colour	Material number
Filter ISO coarse 55%	1	White	L3460090-097010
Filter ISO coarse 55%	3	White	L3460090-097860
Filter ISO ePM10 50% (for pollen / fine dust)	1	White	L3460100-009011
Activated carbon filter (e.g. for exhaust fume odours)	1	Black	L5460290-099010
NOx filter F7 (nitrogen dioxide, fine dust, pollen)	1	anthracite	L5460510-099010
Weather grille F. NW 75, similar to RAL 9003	1	White	L3460110-002010
Weather grille F. NW 75, similar to RAL 8019	1	Brown	L3460110-011010
Ventilation pipe, NW 75, outer $\varnothing$ 80 mm, 500 mm length	1	grey	135600

## 11 Technical specifications

### 11.1 Data table

AEROPAC		
Inherent noise (at 60 m <sup>3</sup> /h ) measured in accordance with DIN EN ISO 3741 (at 8 dB room insulation)	$L_{PA} = 20 \text{ dB(A)}$	
Sound absorption in accordance with DIN EN ISO 140-10:	with Filter ISO coarse 55%:	
2 sliders opened	$D_{n,e,w}$	50 dB
1 sliders opened	$D_{n,e,w}$	53 dB
all sliders closed	$D_{n,e,w}$	57 dB
Air throughput with blower (AEROPAC, AEROPAC smart)	Filter ISO coarse 55%	approx. 15 - 160 m <sup>3</sup> /h
	Filter ISO ePM10 50%	approx. 15 - 160 m <sup>3</sup> /h
	Activated carbon filter	approx. 15 - 160 m <sup>3</sup> /h
Air throughput without blower (AEROPAC DD)	Filter ISO coarse 55%	approx. 17 m <sup>3</sup> /h at 4 Pa
DD = pressure differential principle	Filter ISO coarse 55%	approx. 26 m <sup>3</sup> /h at 8 Pa
	Filter ISO coarse 55%	approx. 31 m <sup>3</sup> /h at 10 Pa
	Filter ISO coarse 55%	approx. 59 m <sup>3</sup> /h at 20 Pa
Supply voltage	230 V AC / 50 Hz 0.14 amps	
Power consumption	at minimum blower level	2 W
	at 60 m <sup>3</sup> /h	5 W
Protection class	II, insulated	
Protection class	IP 40	
Casing material	ASA, dyed	
Connecting cable (coiled in cable compartment)	max. 4.5 m long, white, with Euro plug	
Dimensions (W x H x D)	270 mm x 467 mm x 132 mm	
Weight	3.12 kg	
Technical approval	Z—51.5—206	
Admissible utilisation temperature	-15°C– 40°C	

DE

EN

FR

IT

NL

PL

RU

## 11.2 Information requirements (in accordance with EU Regulation 1253/2014)

a	Producer	SIEGENIA
b	Model identifier	AEROPAC SN
c	Energy consumption (SEC); Energy efficiency class (SEC class) (according to climatic zone warm / average / cold)	-1,7 kWh/(m <sup>2</sup> · a); F -10,3 kWh/(m <sup>2</sup> · a); E -25,3 kWh/(m <sup>2</sup> · a); B
d	Type	WLA / ELA
e	Type of drive	Multi-stage drive
f	Heat recovery system	—
g	Thermal efficiency	—
h	Maximum flow rate	160 m <sup>3</sup> /h
i	Electrical input power	27 W
j	Noise level	31 dB (A)
k	Relative air flow rate	160 m <sup>3</sup> /h
l	Relative pressure differential	—
m	Specific input power	0,17 W/(m <sup>3</sup> /h)
n	Control factor / control typology	1.21 / 0.95
o	Highest degree of inner and outer leakage rate (inner / outer leakage)	—
p	Mix rate (inner area / outer area)	—
q	Instructions for replacing filter	„8.1 Replacing the filter“ on page 39
r	Instructions for the mounting of outside air / exhaust air grilles (for one-directional ventilation units)	„5.4.3 Mounting the weather grille“ on page 33
s	Instructions for dismantling	—
t	Pressure fluctuation sensitivity of the air flow (at +20 Pa and -20 Pa)	6 % / 6 %
u	Air tightness between inside and outside	4.2 m <sup>3</sup> /h

## 12 EU Declaration of Conformity with regard to CE marking

For our product **AEROPAC**, we confirm that the general safety of the defined product, in accordance with Directive **2001/95/EC**, is compliant with the relevant protection requirements which are laid down in the Council Directives about electrical and electronic products.

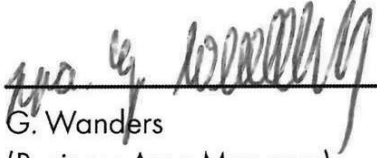
The following listed test standards, which are harmonised in the relevant directives, have been employed for the evaluation:

- a) 2014/30/EC EMC Directive**
  - EN 55014-1:2006+A1:2009+A2:2011
  - EN 55014-2:1997+A1:2001+A2:2008
  - EN 61000-3-2:2014
  - EN 61000-3-3:2013
  
- b) 2014/35/EC Low Voltage Directive**
  - EN 60335-1:2012+A11:2014
  - EN 62233:2008
  
- c) 2014/53/EC RED Directive**
  - c1) Electromagnetic compatibility:
    - EN 301489-1, V.1.9.2
    - EN 301 489-17, V.2.2.1
    - EN 61000-3-2:2014
    - EN 61000-3-3:2013
  - c2) Electrical safety - Establishment of information technology
    - EN 60950-1:2006+A11:2009+A12:2011+A1:2010+A2:2013
  - c3) Safety of persons in electromagnetic fields (10 MHz to 300 GHz)
    - EN 62479:2010
  - c4) Radio spectrum matters - data transmission devices in the 2.4 GHz ISM band
    - EN 300 328 V1.9.1
  
- d) 2006/42/EC Machinery Directive**
  - EN 12100:2010 Risk assessment
  
- e) 2011/65/EU RoHs**
  - EN 50581:2012 Technical documentation on the evaluation of electrical and electronic devices with reference to the restriction of hazardous substances

This declaration is responsible for the producers / importers based in the European Union submitted by:

SIEGENIA-AUBI KG  
Beschlag- und Lüftungstechnik  
Duisburger Straße 8  
D-57234 Wilnsdorf

Siegen, 2017-02-14

  
G. Wanders  
(Business Area Manager)

### 13 Declaration of Conformity for UKCA Marking

DE

For our product **AEROPAC** we confirm that the general safety of the defined product, in accordance with the General Product Safety Regulations, is compliant with the general product safety and relevant protection requirements which are laid down in the statutory instruments about electrical and electronic products.

EN

The following listed test standards (designated standards) covered by the following statutory instruments have been employed for the evaluation:

FR

IT

NL

PL

RU

**a) Electromagnetic Compatibility Regulations (2016)**

EN 55014-1:2006+A1:2009+A2:2011

EN 55014-2:1997+A1:2001+A2:2008

EN 61000-3-2:2014

EN 61000-3-3:2013

**b) 2014/35/EC Low Voltage Directive**

EN 60335-1:2012+A11:2014

EN 62233:2008

**c) The Radio Equipment Regulations (2017)**

**c1) Electromagnetic compatibility:**

EN 301 489-1, V.1.9.2

EN 301 489-17, V.2.2.1

EN 61000-3-2:2014

EN 61000-3-3:2013

**c2) Electrical safety - Establishment of information technology**

EN 60950-1:2006+A11:2009+A12:2011+A1:2010+A2:2013

**c3) Safety of persons in electromagnetic fields (10 MHz to 300 GHz)**

EN 62479:2010

**c4) Radio spectrum matters - data transmission devices in the 2.4 GHz ISM band**

EN 300 328 V1.9.1

**d) Supply of Machinery (Safety) Regulations (2008)**

EN 12100:2010 Risk assessment

**e) Regulations: restriction of hazardous substances (RoHS- 2012)**

EN 50581:2012

For the manufacturer established in the European Union, this declaration is made in the UK under the responsibility of:

SIEGENIA-AUBI Ltd.

Richardson Way · Cross Point Coventry, 2021-10-27  
Coventry CV2 2TA

  
Ryan Thompson  
(Business and Sales Manager UK Ltd)