

Siegenia Aeropac SN

Product information

The small sound absorbing ventilator with big benefits: quiet, powerful, easy to use, quick to install.

There is a proven solution that has been used in countless projects to combat the increased noise pollution from fresh air supply systems: our sound-absorbing ventilator AEROPAC® – compact, quiet as a whisper, and with well over 100,000 installations. In combination with sound insulated windows, its sound absorption makes your own four walls a place of tranquility and relaxation again, regardless of road, rail or air traffic outside. Other environmental problems such as fine dust and pollen stay outside too, thanks to three different, optional filters.

The air exchange of the AEROPAC® can be conveniently set at several levels, as required, via the LCD. This little all-rounder consumes just 5W at 60 m3/h.

Product information

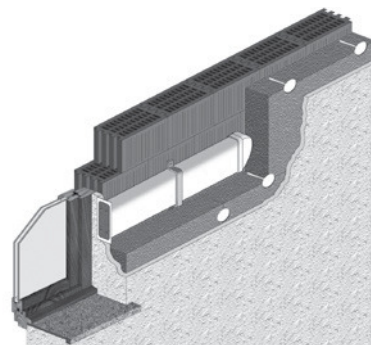
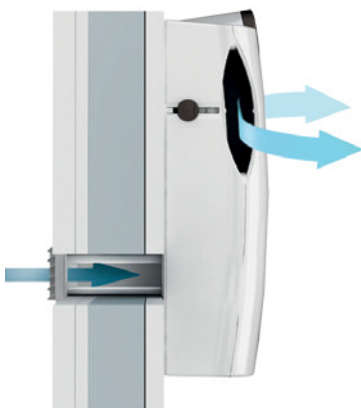
- highly effective sound absorption for a quiet and peaceful sleep
- draught-free ventilation, quiet as a whisper
- LCD display: air flow setting and programmable timer
- individual air control via sliders on the side
- 3 optional filters: coarse dust, activated carbon, and fine dust/pollen
- filter cassettes and a change indicator make changing the filter easy
- extremely small dimensions and elegant, high-gloss casing
- AEROPAC® can be easily installed on the sill

Product advantages

- controlled extraction of fresh air through the external wall – quiet, energy-saving, and with optimal sound absorption
- the air is cleaned through a coarse dust filter, an optional pollen/fine dust filter or an activated carbon filter
- individual control via a slider on the side – even, draughtfree fresh air supply

Simple installation

- core drill a hole in the outer wall
- fix pipe and weather grille in place
- alternative installation with vent duct, for example for composite thermal insulation systems



Installation with reveal channel - SPECIAL ORDER

Product code	Description	Packaging unit
AEROPAC_SN	Aeropac	1

Optional additional filters for Aeropac

Product code	Description	Packaging unit
L3460100-009011	Pollen filter	1
L5460290-099010	Activated carbon filter	1
L5460510-099010	NO _x filter	1

Siegenia Aerotube WRG System

Product information

The wall mounted ventilator with supply and exhaust air functions, heat recovery and humidity sensor.

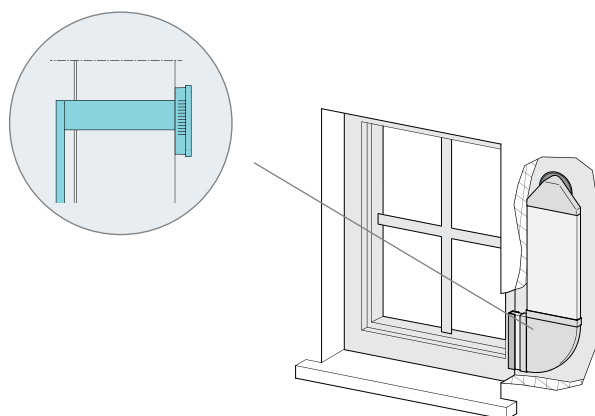
The AEROTUBE WRG is discreet in appearance and offers maximum convenience in relation to the required level of ventilation in both new builds and renovations. It offers absolute room comfort because, due to its versatility, a wide range of ventilation requirements can be achieved individually, or as part of a system. The appropriate solution for practically every requirement whether this is active or passive, with or without heat recovery, air supply or air extraction operation.

Product information

- uniformly elegant interior appearance and low space requirement: the functional element is located in the pipe
- different unit versions
- up to 90% heat recovery, mechanical supply/exhaust air or on a pressure differential basis
- suitable for renovations and new builds
- devices with manual locking or optionally with electrical locking
- the air direction can also be assigned after installation
- operation via smartphone or tablet in the 'smart' version
- efficient humidity control as standard in the 'smart' version
- sound absorption requirements up to 70dB possible

Versions of Aerotube

- AEROTUBE WRG smart: Ventilation unit which can switch between supply and exhaust air and heat recovery



Installation option: Aerotube DD150 with vent duct SFL - **SPECIAL ORDER**

Product code	Description	Packaging unit
AEROPAC_WRG	Aerotube WRG	1

Siegenia Aerotube WRG System - continued

Product information

The right solution for every need.

As the requirements for controlled ventilation can be so different, the AEROTUBE WRG can adapt accordingly. The AEROTUBE WRG Smart is an extremely energy-efficient ventilation unit. The automatic demand-controlled ventilation adapts the volume flow to the room conditions. The economic operating mode coupled with high heat recovery leads to one of the most energy-efficient devices in its class and it has been granted the A+ label. This means the highest standard of controlled room ventilation.

The AEROTUBE WRG smart can be used in pairs and also spanning the room. The alternating operation mode enables supply air and exhaust air operation with heat recovery, changing in one minute cycles. If desired, the AEROTUBE WRG smart can also be set to either one of supply air or exhaust air mode.

Operation in pairs is also possible. Further rooms can likewise be equipped according to demand. The different versions of the AEROTUBE series can also be combined. A decentralised ventilation system can be achieved at little expense due to the device's diversity. The WLAN function is also available as standard with the AEROTUBE WRG smart.

Aerotube WRG product information

- supply and exhaust air operation with heat recovery
- single operation or operation in pairs, also spanning the room
- alternating operation mode
- cycle times approx. 1 minute
- exhaust air operation / supply air operation / cross ventilation

Easy to install

- core drill a hole in the outer wall
- fix pipe and weather grille in place
- as no cable has to be routed between the devices, the installation expenditure is reduced
- subsequent function assignment of devices possible on site and after installation



Aerotube WRG smart