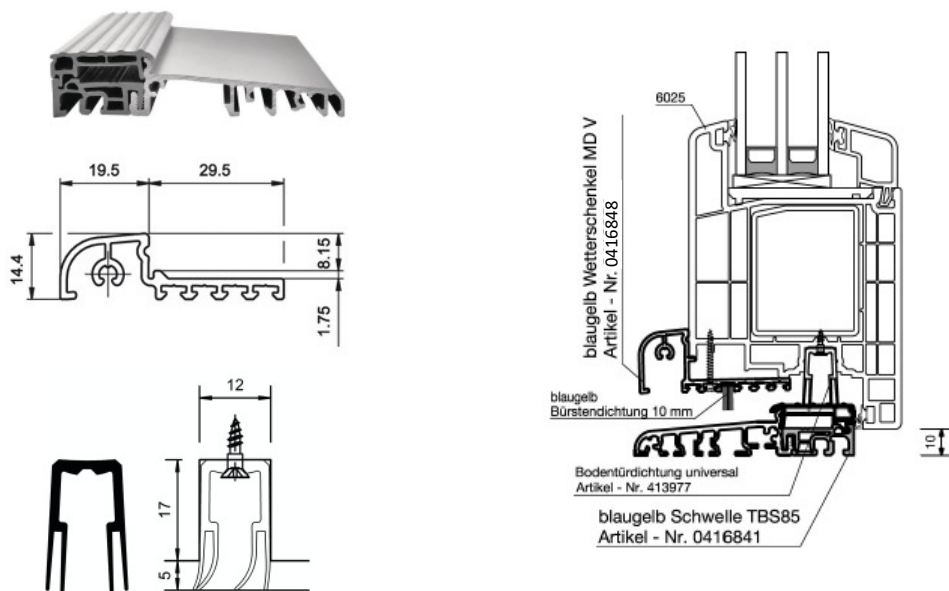


blaugelb TB80 Inward Opening Threshold System

Product information

System can be used for uPVC, wood, wood-metal and metal; threshold height 20mm.

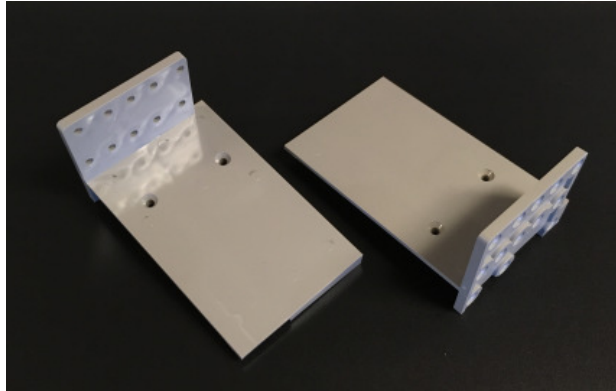


Product code	Description	Material	Width (mm)	Colour	Packaging unit (m)
0416840	TB80 inward opening threshold	aluminium	80	signal grey	6
0416848	AD2 weatherboard - Aluplast & Kommerling	aluminium	-	silver	6
0416857	Weatherboard end caps	uPVC	-	grey	1 pair
0419779	Weatherboard brush seal 10mm	plastic	-	grey	100
0413977	Sash groove door sill gasket	rubber	13.8	grey	11

greenteQ Threshold Connection Clips

Product information

Universal threshold connector for greenteQ TB80 threshold.



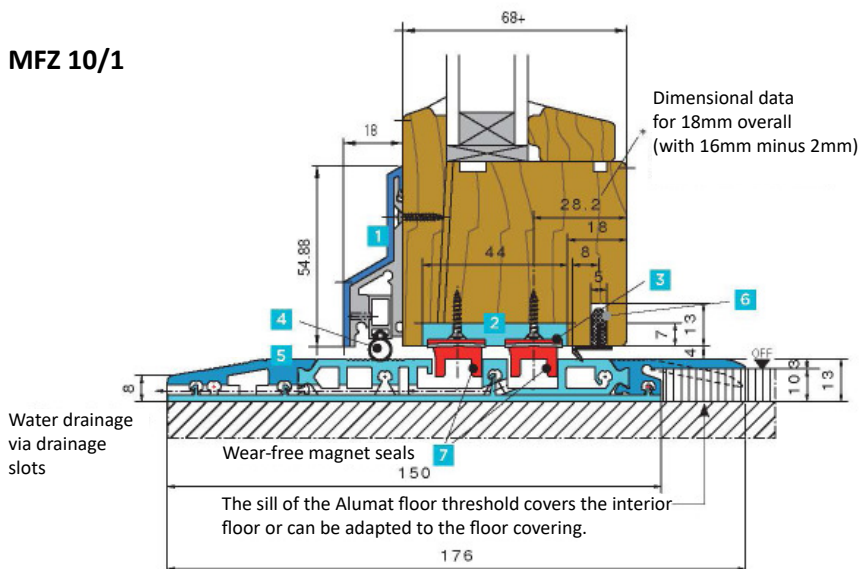
Product code	Description	Material	Size (mm)	Colour	Packaging unit
GTTCC6470	TB80 threshold connector	plastic	64-70	signal grey	1 pair

Alumat Magnetic Profile

Product information

MFZ renovation profile has an extremely low installation height, can be easily set directly on every rough floor. The magnetic double seal adapts itself to a wide variety of installation conditions. Different floor heights can be leveled with various Alumat auxiliary profiles.

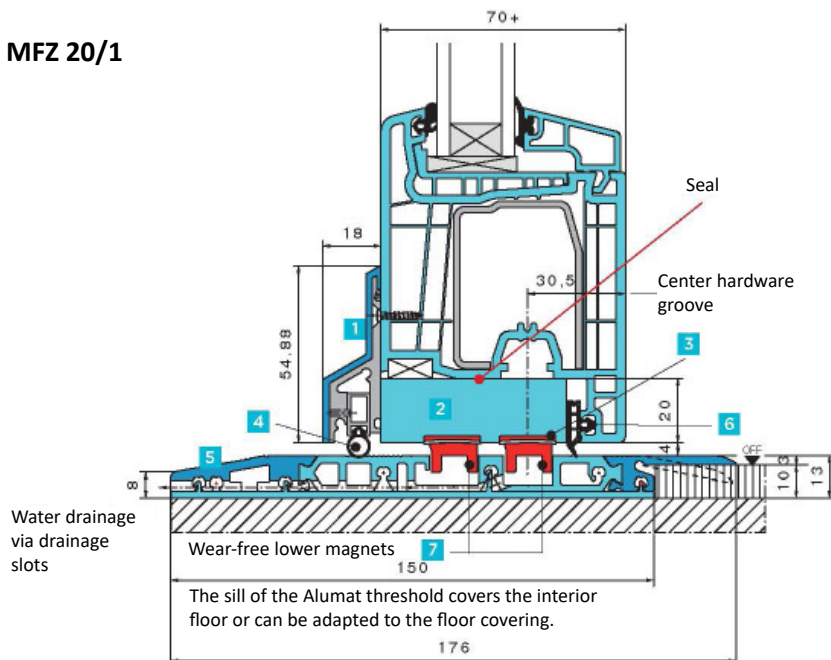
MFZ 10/1



- Ready-to-install delivery: Compatible with turn or tilt/turn doors, one and two leaf, overlap/fixed glazing
- Leveling from zero to 30mm
- No wear, no mechanics, 20 year warranty on magnet tension force
- Evaluated gap noise insulation index $R_{s,w}$ up to 46 dB
- For nursing homes, senior residences, hospitals, homes for people with disabilities, day care facilities, kindergartens, single family homes, apartment buildings, hotels

With integrated exterior doors in old construction, the existing stop threshold must be removed. The barrier-free ALUMAT magnetic double seal must be fitted into the decorative frame rebate and sealed on the side. Either shorten or lengthen the doors with approx. 4mm gap to the ALUMAT floor profile.

MFZ 20/1



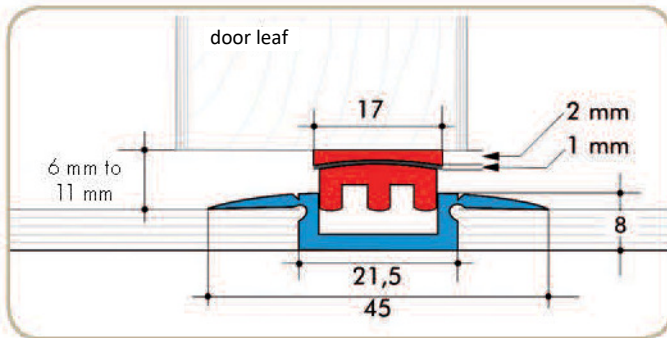
With integrated exterior doors in old construction, the existing stop threshold must be removed. The barrier-free ALUMAT magnetic double seal must be fitted into the decorative frame rebate and sealed on the side. Either shorten or lengthen the doors with approx. 4mm gap to the ALUMAT floor profile.

Product code	Description	Packaging unit (lineal metre)
ALUMATMFZ10	Alumat renovation profile MFZ10 with accessories	1
ALUMATMFZ20	Alumat renovation profile MFZ20 with accessories	1

Alumat Universal Floor Profile

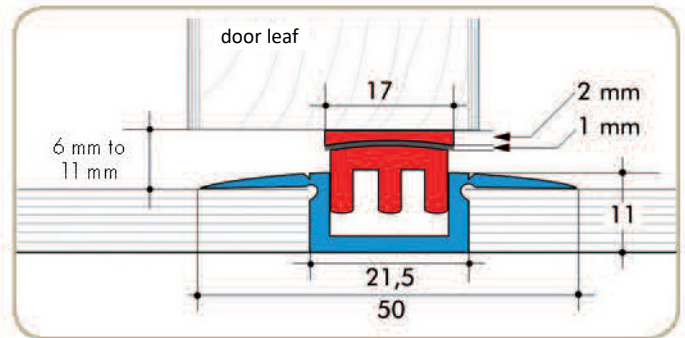
Product information

Aluminium floor profile with continuously rising magnetic threshold and magnetic counter profile for fitting at the lower door leaf edge. Grooving not required.



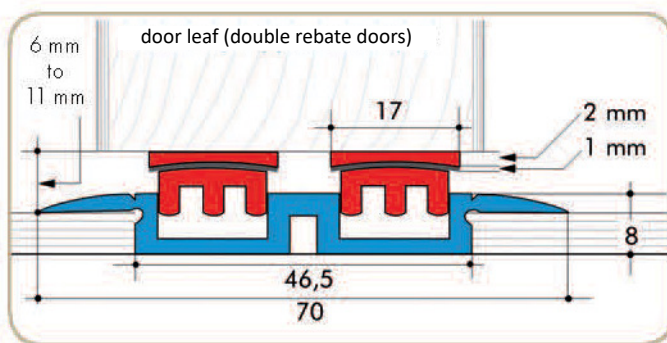
Model MTK 3

Starting from approx. 3mm flooring / Magnetic force between upper and lower magnet profile (max. 5mm)



Model MTK 6

Starting from approx. 3mm flooring / Magnetic force between upper and lower magnet profile (max. 5mm)



Model MTK 32 for double rebate doors

Starting from approx. 3mm flooring / Magnetic force between upper and lower magnet profile (max. 5mm)

COLD STOP

stops draft air

NOISE STOP

reduces sound

SMOKE STOP

keeps escape routes free

Product features

- 20 year warranty on the magnetic force
- material separation rail not required
- optimum sealing effect, smokeproof according to DIN 18095, sound insulation DIN 52210 residual value 45 db
- easy installation, no vulnerable mechanics
- automatic adaptation to the door leaf, hence not affected by uneven flooring
- bridging of door cracks up to 16mm

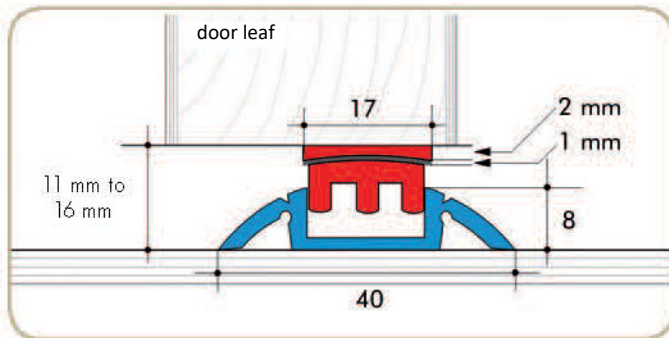
Product code	Description	Model	Length (mm)	Colour/Finish	Packaging unit
AMMTK3860EV1	Universal floor profile	MTK 3	860	silver anodized	1
AMMTK3985EV1	Universal floor profile	MTK 3	985	silver anodized	1
AMMTK6860EV1	Universal floor profile	MTK 6	860	silver anodized	1
AMMTK6985EV1	Universal floor profile	MTK 6	985	silver anodized	1
AMMTK32860EV1	Universal floor profile	MTK 32	860	silver anodized	1
AMMTK32985EV1	Universal floor profile	MTK 32	985	silver anodized	1

Note: Larger sizes available on request. Magnets sold separately.

Alumat Standard Floor Profile

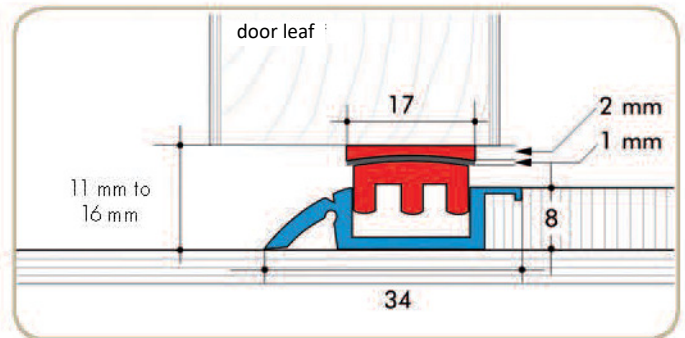
Product information

Aluminium floor profile with continuously rising magnetic threshold and magnetic counter profile for fitting at the lower door leaf edge. Grooving not required.



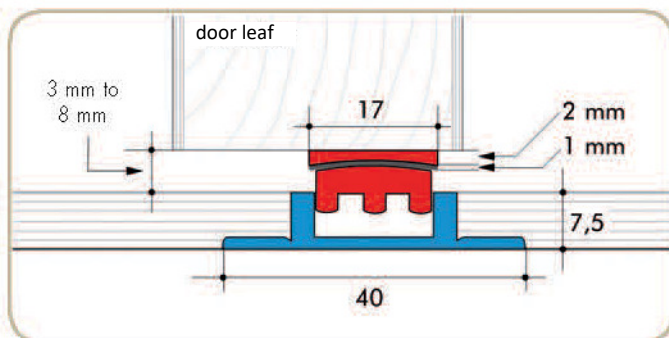
Model MA 1

On the floor / Magnetic force between upper and lower magnet profile (max. 5mm)



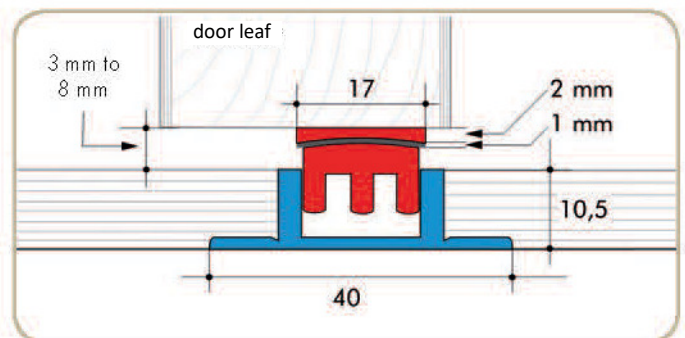
Model MA 2

On one side of the flooring / Magnetic force between upper and lower magnet profile (max. 5mm)



Model MF 1

Starting from approx. 6mm flooring / Magnetic force between upper and lower magnet profile (max. 5mm)



Model MF 2

Starting from approx. 9mm flooring / Magnetic force between upper and lower magnet profile (max. 5mm)

COLD STOP
stops draft air

NOISE STOP
reduces sound

SMOKE STOP
keeps escape routes free

Product features

- 20 year warranty on the magnetic force
- material separation rail not required
- optimum sealing effect, smokeproof according to DIN 18095, sound insulation DIN 52210 residual value 45 db
- easy installation, no vulnerable mechanics
- automatic adaptation to the door leaf, hence not affected by uneven flooring
- bridging of door cracks up to 16mm

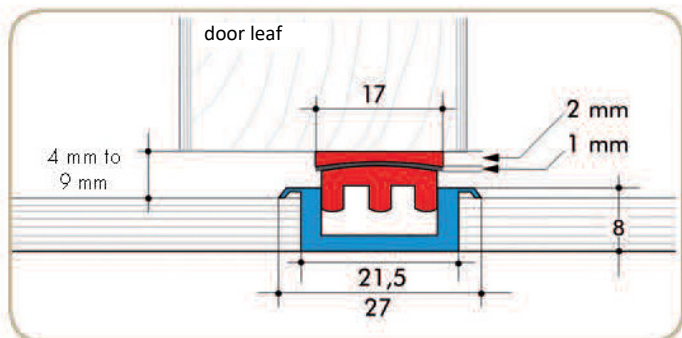
Product code	Description	Model	Length (mm)	Colour/Finish	Packaging unit
AMMA1860EV1	Standard floor profile	MA 1	860	silver anodized	1
AMMA1985EV1	Standard floor profile	MA 1	985	silver anodized	1
AMMA2860EV1	Standard floor profile	MA 2	860	silver anodized	1
AMMA2985EV1	Standard floor profile	MA 2	985	silver anodized	1
AMMF1860EV1	Standard floor profile	MF 1	860	silver anodized	1
AMMF1985EV1	Standard floor profile	MF 1	985	silver anodized	1
AMMF2860EV1	Standard floor profile	MF 2	860	silver anodized	1
AMMF2985EV1	Standard floor profile	MF 2	985	silver anodized	1

Note: Larger sizes available on request. Magnets sold separately.

Alumat Special Floor Profile

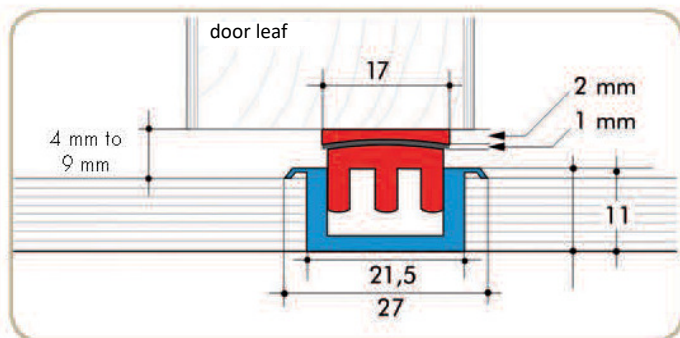
Product information

Aluminium floor profile with continuously rising magnetic threshold and magnetic counter profile for fitting at the lower door leaf edge. Grooving not required.



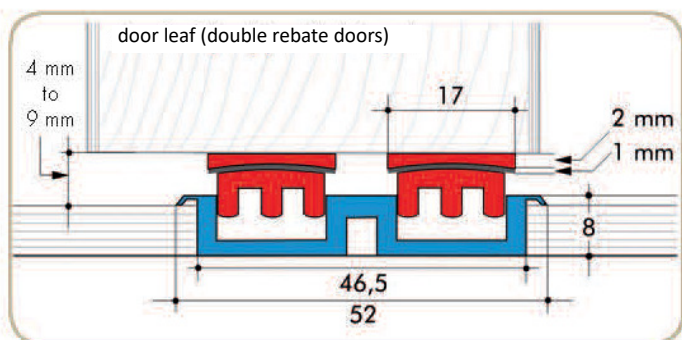
Model MFS 1

Starting from approx. 6mm flooring / Magnetic force between upper and lower magnet profile (max. 5mm)



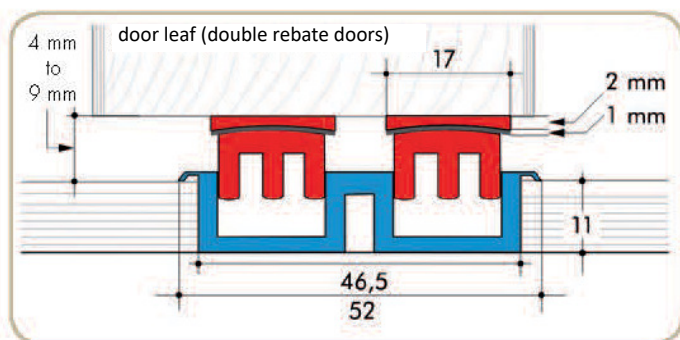
Model MFS 10

Starting from approx. 9mm flooring / Magnetic force between upper and lower magnet profile (max. 5mm)



Model MFS 2 for double rebate doors

Starting from approx. 6mm flooring / Magnetic force between upper and lower magnet profile (max. 5mm)



Model MFS 20 for double rebate doors

Starting from approx. 9mm flooring / Magnetic force between upper and lower magnet profile (max. 5mm). Only available in silver anodized.

COLD STOP

stops draft air

NOISE STOP

reduces sound

SMOKE STOP

keeps escape routes free

Product features

- 20 year warranty on the magnetic force
- material separation rail not required
- optimum sealing effect, smokeproof according to DIN 18095, sound insulation DIN 52210 residual value 45 db
- easy installation, no vulnerable mechanics
- automatic adaptation to the door leaf, hence not affected by uneven flooring
- bridging of door cracks up to 16mm

Product code	Description	Model	Length (mm)	Colour/Finish	Packaging unit
AMMFS1860EV1	Standard floor profile	MFS 1	860	silver anodized	1
AMMFS1985EV1	Standard floor profile	MFS 1	985	silver anodized	1
AMMFS10860EV1	Standard floor profile	MFS 10	860	silver anodized	1
AMMFS10985EV1	Standard floor profile	MFS 10	985	silver anodized	1
AMMFS2860EV1	Standard floor profile	MFS 2	860	silver anodized	1
AMMFS2985EV1	Standard floor profile	MFS 2	985	silver anodized	1
AMMFS20860EV1	Standard floor profile	MFS 20	860	silver anodized	1
AMMFS20985EV1	Standard floor profile	MFS 20	985	silver anodized	1

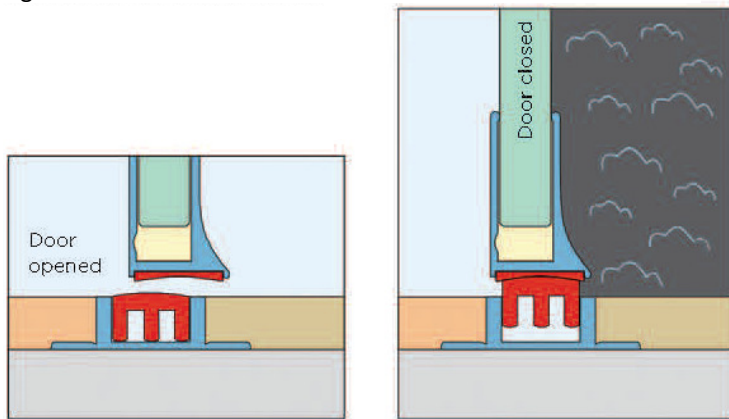
Note: Larger sizes available on request. Magnets sold separately.

Alumat Glass Door Add-on Profile

Product information

Magnetic door seal for glass doors.

100% sealing of the common door crack - anywhere where escape routes must remain smoke-free and rooms need much light.

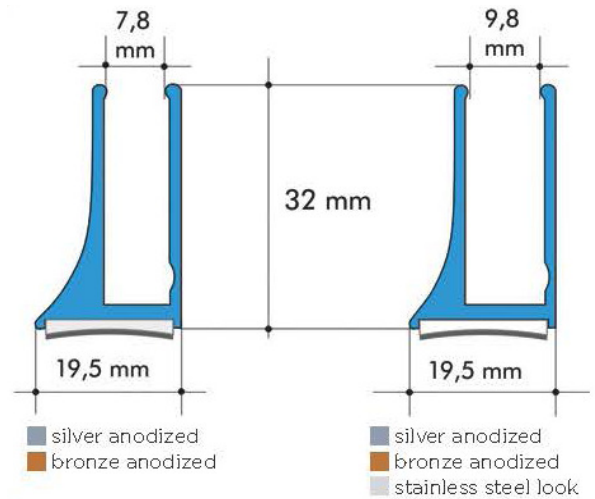


Magnet stays down, the pass is absolutely barrier-free

Magnet goes up and provides perfect sealing

Model GT 8

Model GT 10



For glass doors / Glass distance to the ALUMAT floor profile starting from approx. 7mm

Product features

- 20 year warranty on the magnetic force
- material separation rail not required
- optimum sealing effect, smokeproof according to DIN 18095, sound insulation DIN 52210 residual value 45 db

Product features

- easy installation, no vulnerable mechanics
- automatic adaptation to the door leaf, hence not affected by uneven flooring
- bridging of door cracks up to 16mm

COLD STOP stops draft air	NOISE STOP reduces sound	SMOKE STOP keeps escape routes free
-------------------------------------	------------------------------------	---

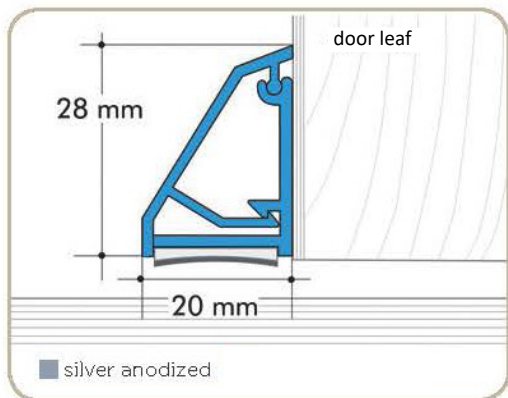
Product code	Description	Model	Length (mm)	Colour/Finish	Packaging unit
AMGT8834EV1	Special add-on profile	GT 8	834	silver anodized	1
AMGT8959EV1	Special add-on profile	GT 8	959	silver anodized	1
AMGT10834EV1	Special add-on profile	GT 10	934	silver anodized	1
AMGT10959EV1	Special add-on profile	GT 10	959	silver anodized	1
AMGT10834SS	Special add-on profile	GT 10	834	stainless steel	1
AMGT10959SS	Special add-on profile	GT 10	959	stainless steel	1

Note: Larger sizes available on request. Magnets sold separately.

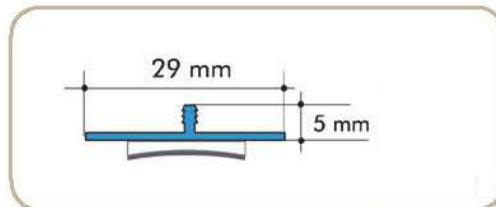
Alumat Magnets & Accessory Parts

Product information

Magnetic door seals and profiles for glass doors.



MHT - Magnetic carrier profile for aluminium doors. Upper magnet sold separately.



OMT - Aluminium magnetic carrier profile (only required for stemmed frame doors)

17mm wide



Upper magnet - available in thicknesses of 2mm and 3mm

15mm wide



Lower magnet - available 6mm high

15mm wide



Lower magnet - available 9mm high, with 2 feet for exterior doors, and 3 feet for interior doors

Product code	Description	Colour/Finish	Packaging unit (lineal metre)
AMMHTEV1	Magnet carrier profile	silver anodized	1
AMOMT	Aluminium magnet carrier profile	silver anodized	1
AMUMAG2	Upper magnet - 2mm thick	black	1
AMUMAG3	Upper magnet - 3mm thick	black	1
AML MAG6	Lower magnet - 6mm high	black	1
AML MAG92	Lower magnet - 9mm height, 2 feet	black	1
AML MAG93	Lower magnet - 9mm height, 3 feet	black	1